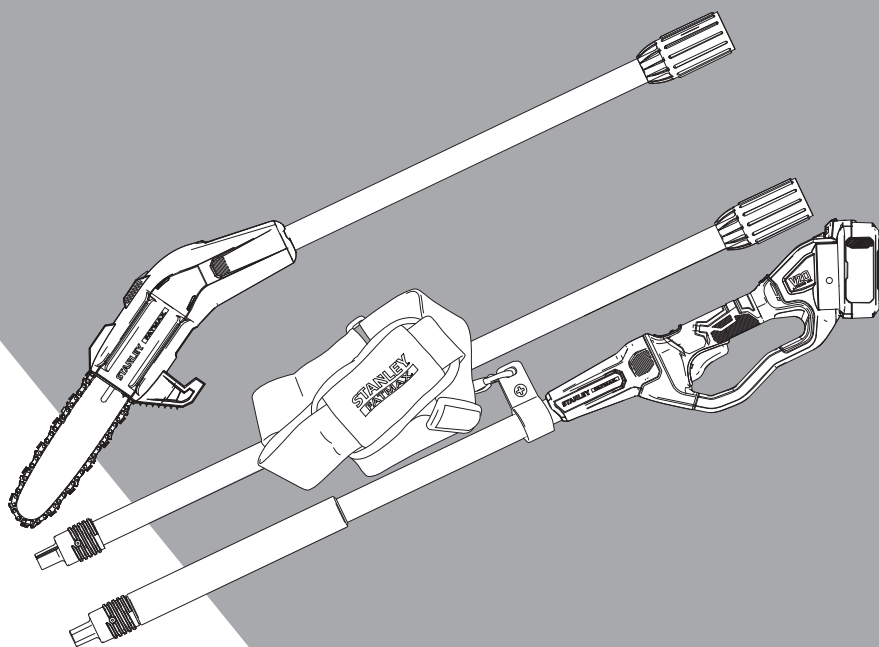


STANLEY[®] **V20** **FATMAX[®]** LITHIUM ION



www.stanleytools.eu

SFM CPS620

Fig. A

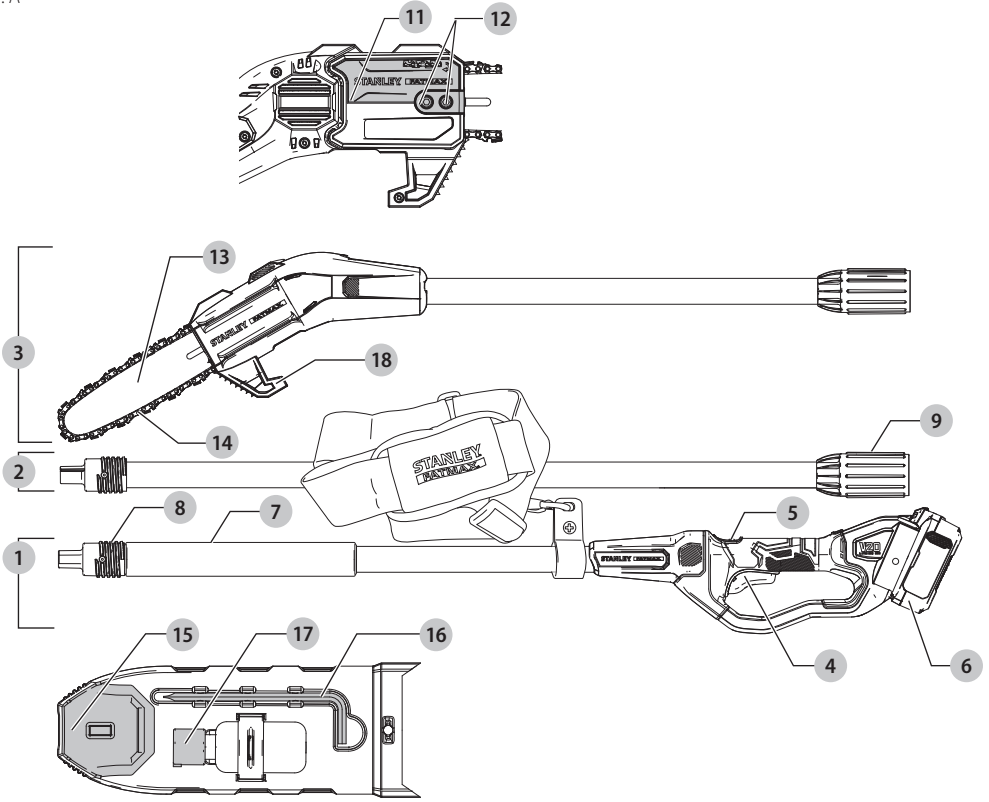


Fig. B

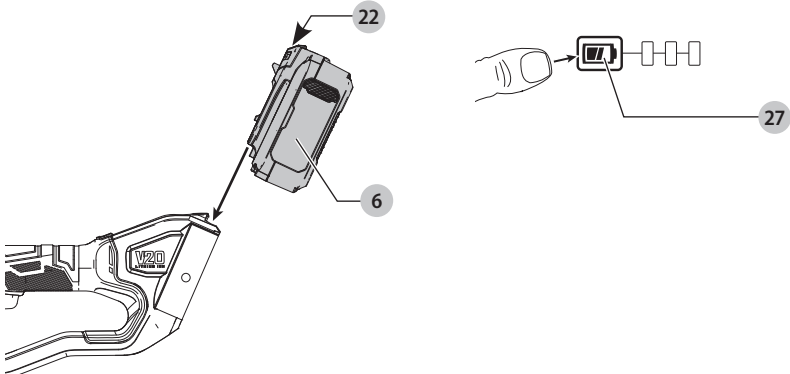


Fig. C

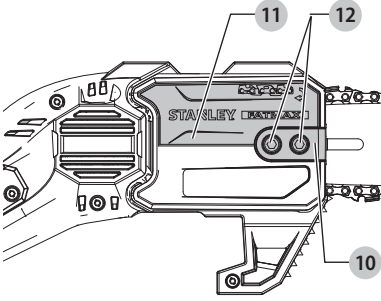


Fig. D

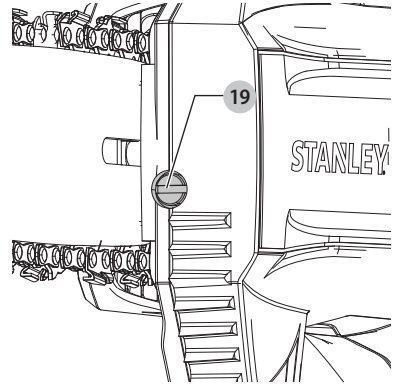


Fig. E

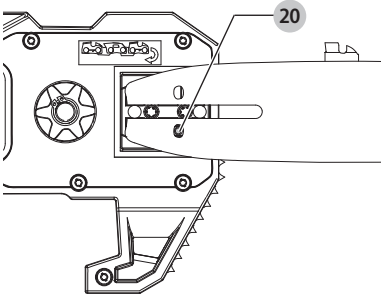


Fig. F

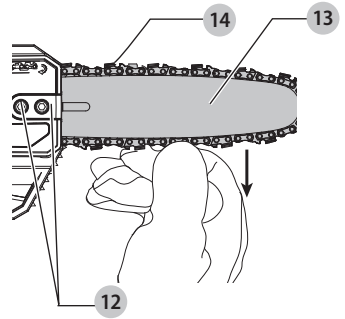


Fig. G

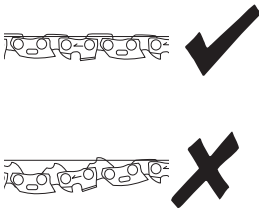


Fig. H

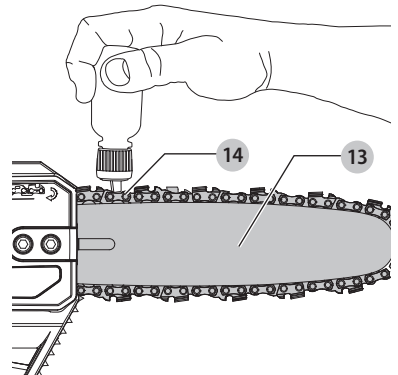


Fig. I



Fig. J

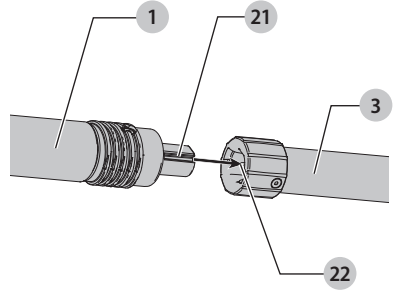


Fig. K

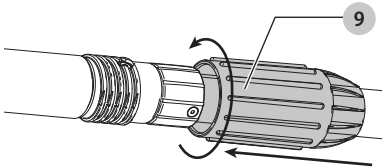


Fig. L

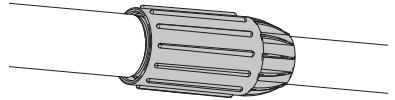


Fig. M



Fig. N

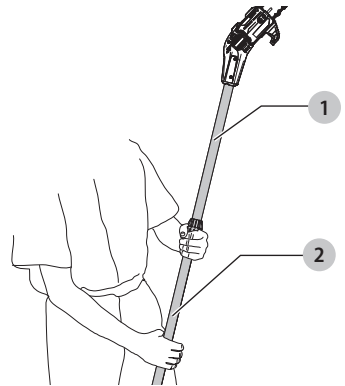


Fig. O

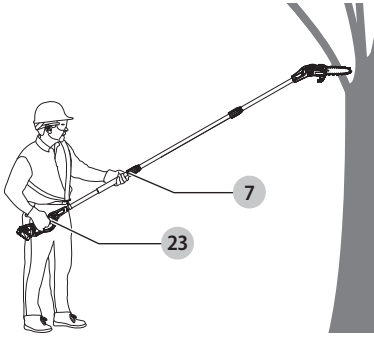


Fig. P

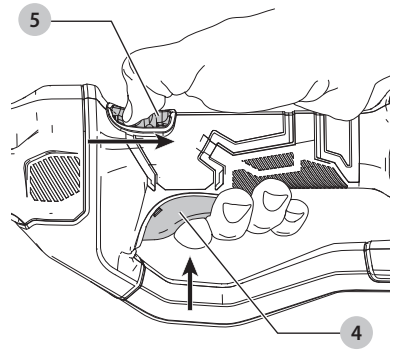


Fig. Q

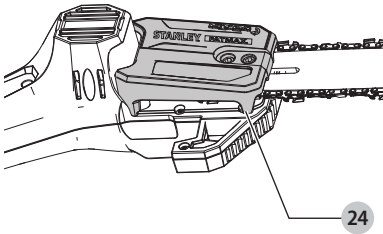


Fig. R

POLE SAW

SFMCP5620

Congratulations!

You have chosen a STANLEY FATMAX tool. Years of experience, thorough product development and innovation make STANLEY FATMAX one of the most reliable partners for professional power tool users.

Technical Data

	SFMCP5620	
Voltage	V _{DC}	18
Battery type		Li-Ion
Bar Length	cm	20
Maximum Chain Speed (no-load)	m/s	1.9
Maximum Cutting Length	cm	15
Oil Capacity	ml	40
Weight (without battery pack)	kg	3.5

Noise values and vibration values (triaux vector sum) according to EN ISO 11680-1:2011:

L _{PA} (emission sound pressure level)	dB(A)	78
L _{WA} (sound power level)	dB(A)	89.5
K (uncertainty for the given sound level)	dB(A)	3,9
Vibration emission value a _h =	m/s ²	<2,5
Uncertainty K =	m/s ²	1,5

The vibration and/or noise emission level given in this information sheet has been measured in accordance with a standardised test given in EN ISO 11680-1:2011 and may be used to compare one tool with another. It may be used for a preliminary assessment of exposure.



WARNING: The declared vibration and/or noise emission level represents the main applications of the tool. However if the tool is used for different applications, with different accessories or poorly maintained, the vibration and/or noise emission may differ. This may significantly increase the exposure level over the total working period.

An estimation of the level of exposure to vibration and/or noise should also take into account the times when the tool is switched off or when it is running but not actually doing the job. This may significantly reduce the exposure level over the total working period.

Identify additional safety measures to protect the operator from the effects of vibration and/or noise such as: maintain the tool and the accessories, keep the hands warm (relevant for vibration), organisation of work patterns.

Battery Cat #	Output Voltage	Charger SFMCB12
SFMCB202	18	X
SFMCB204	18	X
SFMCB206	18	X

"X" Indicates that the battery pack is compatible with that specific charger. Read the instruction manual for more specific information.

EC-Declaration of Conformity Machinery Directive



Pole Saw SFMCP5620

STANLEY FATMAX declares that these products described under **Technical Data** are in compliance with:

2006/42/EC, EN 62841-1:2015; EN ISO 11680-1:2011, 2000/14/EC, Annex V DEKRA Certification B.V., Meander 1051 / P.O. Box 5185 6825 MJ ARNHEM / 6802 ED ARNHEM Netherlands

Notified Body ID No.: 0344

LWA (guaranteed sound power) 94 dB(A)

LPA (measured sound pressure level) 78 dB(A)

Uncertainty for sound pressure level, K= 2,5 dB(A)

These products also comply with Directive 2014/30/EU and 2011/65/EU. For more information, please contact STANLEY FATMAX at the following address or refer to the back of the manual.

The undersigned is responsible for compilation of the technical file and makes this declaration on behalf of STANLEY FATMAX.

A. P. Smith

Technical Director

STANLEY FATMAX Europe, Egide Walschaertsstraat 14-18,
2800 Mechelen, Belgium

XX.XX.2019



WARNING: To reduce the risk of injury, read the instruction manual.

Definitions: Safety Guidelines

The definitions below describe the level of severity for each signal word. Please read the manual and pay attention to these symbols.



DANGER: Indicates an imminently hazardous situation which, if not avoided, **will** result in **death or serious injury**.



WARNING: Indicates a potentially hazardous situation which, if not avoided, **could** result in **death or serious injury**.



CAUTION: Indicates a potentially hazardous situation which, if not avoided, **may** result in **minor or moderate injury**.

NOTICE: Indicates a practice **not related to personal injury** which, if not avoided, **may** result in **property damage**.



Denotes risk of electric shock.



Denotes risk of fire.

GENERAL POWER TOOL SAFETY WARNINGS



WARNING: Read all safety warnings, instructions, illustrations and specifications provided with this power tool. Failure to follow all instructions listed below may result in electric shock, fire and/or serious injury.

SAVE ALL WARNINGS AND INSTRUCTIONS FOR FUTURE REFERENCE.

The term "power tool" in the warnings refers to your mains-operated (corded) power tool or battery-operated (cordless) power tool.

1) Work Area Safety

- Keep work area clean and well lit.** Cluttered or dark areas invite accidents.
- Do not operate power tools in explosive atmospheres, such as in the presence of flammable liquids, gases or dust.** Power tools create sparks which may ignite the dust or fumes.
- Keep children and bystanders away while operating a power tool.** Distractions can cause you to lose control.

2) Electrical Safety

- Power tool plugs must match the outlet. Never modify the plug in any way. Do not use any adapter plugs with earthed (grounded) power tools.** Unmodified plugs and matching outlets will reduce risk of electric shock.
- Avoid body contact with earthed or grounded surfaces such as pipes, radiators, ranges and refrigerators.** There is an increased risk of electric shock if your body is earthed or grounded.
- Do not expose power tools to rain or wet conditions.** Water entering a power tool will increase the risk of electric shock.
- Do not abuse the cord. Never use the cord for carrying, pulling or unplugging the power tool. Keep cord away from heat, oil, sharp edges or moving**

parts. Damaged or entangled cords increase the risk of electric shock.

- When operating a power tool outdoors, use an extension cord suitable for outdoor use.** Use of a cord suitable for outdoor use reduces the risk of electric shock.
- If operating a power tool in a damp location is unavoidable, use a residual current device (RCD) protected supply.** Use of an RCD reduces the risk of electric shock.

3) Personal Safety

- Stay alert, watch what you are doing and use common sense when operating a power tool. Do not use a power tool while you are tired or under the influence of drugs, alcohol or medication.** A moment of inattention while operating power tools may result in serious personal injury.
- Use personal protective equipment. Always wear eye protection.** Protective equipment such as a dust mask, non-skid safety shoes, hard hat or hearing protection used for appropriate conditions will reduce personal injuries.
- Prevent unintentional starting. Ensure the switch is in the off-position before connecting to power source and/or battery pack, picking up or carrying the tool.** Carrying power tools with your finger on the switch or energising power tools that have the switch on invites accidents.
- Remove any adjusting key or wrench before turning the power tool on.** A wrench or a key left attached to a rotating part of the power tool may result in personal injury.
- Do not overreach. Keep proper footing and balance at all times.** This enables better control of the power tool in unexpected situations.
- Dress properly. Do not wear loose clothing or jewellery. Keep your hair and clothing away from moving parts.** Loose clothes, jewellery or long hair can be caught in moving parts.
- If devices are provided for the connection of dust extraction and collection facilities, ensure these are connected and properly used.** Use of dust collection can reduce dust-related hazards.
- Do not let familiarity gained from frequent use of tools allow you to become complacent and ignore tool safety principles.** A careless action can cause severe injury within a fraction of a second.

4) Power Tool Use and Care

- Do not force the power tool. Use the correct power tool for your application.** The correct power tool will do the job better and safer at the rate for which it was designed.
- Do not use the power tool if the switch does not turn it on and off.** Any power tool that cannot be controlled with the switch is dangerous and must be repaired.
- Disconnect the plug from the power source and/or remove the battery pack, if detachable, from the power tool before making any adjustments, changing accessories, or storing power tools.** Such

preventive safety measures reduce the risk of starting the power tool accidentally.

- d) **Store idle power tools out of the reach of children and do not allow persons unfamiliar with the power tool or these instructions to operate the power tool.** Power tools are dangerous in the hands of untrained users.
- e) **Maintain power tools and accessories. Check for misalignment or binding of moving parts, breakage of parts and any other condition that may affect the power tool's operation. If damaged, have the power tool repaired before use.** Many accidents are caused by poorly maintained power tools.
- f) **Keep cutting tools sharp and clean.** Properly maintained cutting tools with sharp cutting edges are less likely to bind and are easier to control.
- g) **Use the power tool, accessories and tool bits, etc. in accordance with these instructions, taking into account the working conditions and the work to be performed.** Use of the power tool for operations different from those intended could result in a hazardous situation.
- h) **Keep handles and grasping surfaces dry, clean and free from oil and grease.** Slippery handles and grasping surfaces do not allow for safe handling and control of the tool in unexpected situations.

5) Battery Tool Use and Care

- a) **Recharge only with the charger specified by the manufacturer.** A charger that is suitable for one type of battery pack may create a risk of fire when used with another battery pack.
- b) **Use power tools only with specifically designated battery packs.** Use of any other battery packs may create a risk of injury and fire.
- c) **When battery pack is not in use, keep it away from other metal objects, like paper clips, coins, keys, nails, screws or other small metal objects, that can make a connection from one terminal to another.** Shorting the battery terminals together may cause burns or a fire.
- d) **Under abusive conditions, liquid may be ejected from the battery; avoid contact. If contact accidentally occurs, flush with water. If liquid contacts eyes, additionally seek medical help.** Liquid ejected from the battery may cause irritation or burns.
- e) **Do not use a battery pack or tool that is damaged or modified.** Damaged or modified batteries may exhibit unpredictable behaviour resulting in fire, explosion or risk of injury.
- f) **Do not expose a battery pack or tool to fire or excessive temperature.** Exposure to fire or temperature above 130 °C may cause explosion.
- g) **Follow all charging instructions and do not charge the battery pack or tool outside the temperature range specified in the instructions.** Charging improperly or at temperatures outside the specified range may damage the battery and increase the risk of fire.

6) Service

- a) **Have your power tool serviced by a qualified repair person using only identical replacement parts.** This will ensure that the safety of the power tool is maintained.
- b) **Never service damaged battery packs.** Service of battery packs should only be performed by the manufacturer or authorized service providers.

IMPORTANT SAFETY INSTRUCTIONS



WARNING: To reduce risk of injury:

- Before any use, be sure everyone using this unit reads and understands all safety instructions and other information contained in this manual.
- Save these instructions and review frequently.




WARNING: When using electric gardening appliances, basic safety precautions should always be followed to reduce risk of fire, electric shock, and personal injury, including the following.

1. **Avoid Dangerous Environment** – Don't use appliances in damp or wet locations.
2. **Don't Use In Rain.**
3. **Keep Children Away** – All visitors should be kept at a distance from work area.
4. **Dress Properly** – Do not wear loose clothing or jewelry. They can be caught in moving parts. Use of rubber gloves and substantial footwear is recommended when working outdoors. Wear protective hair covering to contain long hair.
5. **Use Safety Glasses** – Always use face or dust mask if operation is dusty.
6. **Use Right Appliance** – Do not use appliance for any job except that for which it is intended.
7. **Don't grasp the exposed cutting blades or cutting edges when picking up or holding the appliance.**
8. **Don't Force Appliance** – It will do the job better and with less likelihood of a risk of injury at the rate for which it was designed.
9. **Don't Overreach** – Keep proper footing and balance at all times.
10. **Stay Alert** – Watch what you are doing. Use common sense. Do not operate appliance when you are tired.
11. **Disconnect Appliance** – Remove the battery when not in use, before servicing, when changing accessories such as blades, and the like.
12. **Store Idle Appliances Indoors** – When not in use, appliances should be stored indoors in dry, and high or locked-up place – out of reach of children.
13. **Maintain Appliance With Care** – Keep cutting edge sharp and clean for best performance and to reduce the risk of injury. Follow instructions for lubricating and changing accessories. Inspect appliance power source periodically, and if damaged, have it repaired by an authorized service facility. Keep handles dry, clean, and free from oil and grease.


14. **Check Damaged Parts** – Before further use of the appliance, a guard or other part that is damaged should be carefully checked to determine that it will operate properly and perform its intended function. Check for alignment of moving parts, binding of moving parts, breakage of parts, mounting, and any other condition that may affect its operation. A guard or other part that is damaged should be properly repaired or replaced by an authorized service center unless indicated elsewhere in this manual.

SAVE THESE INSTRUCTIONS

-  **WARNING - Do not operate near electrical power lines.** The unit has not been designed to provide protection from electric shock in the event of contact with overhead electric lines. Consult local regulations for safe distances from overhead electric power lines and ensure that the operating position is safe and secure before operating the saw chain pole pruner.
- **Keep all parts of the body away from the saw chain. Do not remove cut material or hold material to be cut when blades are moving. Make sure the switch is off when clearing jammed material. Blades coast after turn off.** A moment of inattention while operating the pole saw may result in serious personal injury.
 - **Carry the pole saw by the handle with the saw chain stopped.** When transporting or storing the pole saw always fit the saw chain device cover. Proper handling of the pole saw will reduce possible personal injury from the saw chain.
 - **Hold the power tool by insulated gripping surfaces only, because the cutter blade may contact hidden wiring.** A saw chain contacting a "live" wire may make exposed metal parts of the tool "live" and could give the operator an electric shock.
 - **Do not use the pole saw in bad weather conditions, especially when there is a risk of lightning.** This decreases the risk of being struck by lightning.
 - **Always use two hands when operating the pole saw.** Hold the pole saw with both hands to avoid loss of control.

Always use head protection when operating the pole saw overhead. Falling debris can result in serious personal injury.


SPECIFIC SAFETY RULES


-  **WARNING:** Some dust contains chemicals known to State of California to cause cancer, birth defects or other reproductive harm. Some examples of these chemicals are:
- compounds in fertilizers,
 - compounds in insecticides, herbicides and pesticides,
 - arsenic and chromium from chemically treated lumber.

To reduce your exposure to these chemicals, wear approved safety equipment such as dust masks that are specially designed to filter out microscopic particles.

- **Avoid prolonged contact with dust from power sanding, sawing, grinding, drilling, and other construction activities. Wear protective clothing and wash exposed areas with soap and water.** Allowing dust to get into your

mouth, eyes, or lay on the skin may promote absorption of harmful chemicals.



-  **WARNING: Use of this tool can generate and/or disburse dust, which may cause serious and permanent respiratory or other injury.** Always use approved respiratory protection appropriate for the dust exposure. Direct particles away from face and body.

-  **CAUTION:** Wear appropriate personal hearing protection during use. Under some conditions and duration of use, noise from this product may contribute to hearing loss.

Before Operating Pole Saw

- **For safe operation, read and understand all instructions before using the pole saw.** Follow all safety instructions. Failure to follow all safety instructions listed below, can result in serious personal injury.
- **Watch what you are doing.** Use common sense. Do not operate pole saw when you are tired.
- **Use pole saw for cutting tree branches only.** Do not use pole saw for purposes not intended. Do not use for cutting other items.
- **Only well-instructed adults should operate pole saw.** Never allow children to operate.
- **Do not allow children or untrained individuals to use this unit.**
- **Wear the following safety gear when operating pole saw:**
 - heavy-duty gloves
 - steel-toed safety footwear with non-skid soles
 - safety glasses, goggles or face screen
 - safety hard hat
 - ear muffers or ear plugs
 - face or dust mask (if working in dusty areas)
- **Wear heavy long pants and boots.** Do not wear loose fitting clothing, short pants, jewelry of any kind, or go barefoot.
- **Secure long hair so it is above shoulder level to prevent entanglement in any moving parts.**
- **Before cutting, always provide the following:**
 - clear work area
 - secure footing
 - planned retreat path from falling limbs
- **Inspect tree before trimming.** Make allowance for branches to fall freely to the ground.
- **Do not use your pole saw to fell saplings.**

While Operating Pole Saw


-  **DANGER: To reduce the risk of electric shock do not use on wet surfaces.** Do not expose to rain. Store indoors.
-  **DANGER: Avoid Unintentional Starting** – with battery installed, don't carry appliance with with finger on switch. Be sure switch is off when installing battery.
- **Stay alert.** Use common sense while operating the unit.
 - **Keep work area clean.** Cluttered areas invite injuries.
 - **Always remove battery from pole saw when finished cutting or when left unattended.**

- Keep children, animals and bystanders at least 15 m away from pole saw. Only pole saw user should be in work area.
- Do not use the pole saw to cut down trees.
- Do not grasp the exposed saw chain when picking up or holding the pole saw.
- Grip pole saw securely - one hand on the pole, the other on the handle.
- Keep finger off trigger until ready to make cut.
- Before starting pole saw, make sure chain is not touching anything.
- Keep all parts of body away from chain when pole saw is running.
- Do not force pole saw while cutting. Apply light pressure. It will do the job better and safer at the rate for which it was intended.
- Carry pole saw from one place to another:
 - with battery removed,
 - fingers off/away from trigger,
 - by holding pole at balance point, and
 - with guide bar and chain to rear and with scabbard attached.
- Do not cut small brush and saplings with the pole saw. Slender matter may catch in the chain and be whipped toward you. This could also pull you off balance.
- Do not operate in poor lighting.
- Keep firm footing and balance. Do not overreach. Overreaching can result in loss of balance or exposure to hot surfaces.
- Keep all parts of your body away from any moving part.
- Do not, under any circumstance, use any attachment or accessory on this product, which was not provided with the product, or identified as appropriate for use with this product in this instruction manual.
- Inspect pole saw before each use and after dropping or other impacts. Ensure there are no significant defects or damage.

Do Not Operate Pole Saw:

- while under the influence of alcohol, medication, or drugs.
- in rain or in damp or wet areas.
- where highly flammable liquids or gases are present.
- if pole saw is damaged, adjusted incorrectly, or not fully and securely assembled.
- if trigger does not turn pole saw on and off. Chain must stop moving when you release trigger. Have faulty switch replaced by authorized service center. See **Accessories** under **Maintenance**.
- while in a hurry.
- while in a tree or on a ladder.
- while on aerial booms, buckets or platforms.
- during high wind or storming weather.

GENERAL SAFETY RULES

 **DANGER: Shock Hazard.** Serious injury or death from electrocution if power lines are contacted. Never use near any electrical source, wires, or power lines.



WARNING: For safe operation read and understand owner's manual. Wear face shield (and/or safety glasses) and hard hat to protect against falling debris. Always have a clear work area, retreat path, and be aware of limb/branch location to avoid falling limbs and debris. Keep bystanders 15 m away when operating saw. To reduce the risk of electric shock do not use on wet surfaces. Do not expose to rain. Store indoors.

- To protect yourself from falling branches do not stand directly under the branch or limb being cut. This unit should not be held at an angle over 60° from ground level.
- Keep the handles dry, clean, and free of oil.
- Before you start the unit, make sure the chain is not contacting any object.
- Make sure the cutting chain has stopped before setting the unit down.

Service

- Tool service must be performed only by qualified repair personnel. Service or maintenance performed by unqualified personnel could result in a risk of injury. Refer to the **Maintenance** section of this manual.
- When servicing a tool, use only identical replacement parts. Follow instructions in the **Maintenance** section of this manual. Use of unauthorized parts or failure to follow maintenance instructions may create a risk of electric shock or injury.

Guard Against Kickback



WARNING: KICKBACK may occur when the nose or tip of the guide bar touches an object, or when the wood closes in and pinches the saw chain in the cut. Tip contact in some cases may cause a lightning fast reverse reaction, kicking the guide bar up and back towards the operator. Pinching the saw chain along the top of the guide bar may push the guide bar rapidly back towards the operator. Either of these reactions may cause you to lose control of the saw which could result in serious injury to user.



THE FOLLOWING PRECAUTIONS SHOULD BE FOLLOWED TO MINIMIZE KICKBACK:

- Grip pole saw firmly. Hold the saw firmly with both hands when the unit is running. Use a firm grip with thumbs and fingers encircling the saw handle and pole.
- Do not overreach.
- Keep proper footing and balance at all times.
- Don't let the nose of the guide bar contact a log, branch, ground or other obstruction.
- Do not extend pole saw handle above shoulder height.
- Use devices such as reduced kickback chain, chain braking system and special guide bars that reduce the risks associated with kickback.
- Only use replacement bars and chains specified by the manufacturer or the equivalent.
- Never let the moving chain contact any object at the tip of the guide bar.

- *Keep the working area free from obstructions such as other trees, branches, rocks, fences, stumps, etc. Eliminate or avoid any obstruction that your saw chain could hit while you are cutting through a particular log or branch.*
- *Keep your saw chain sharp and properly tensioned. A loose or dull chain can increase the chance of kickback. Check tension at regular intervals with the motor stopped and battery removed.*
- *Begin and continue cutting only with the chain moving at full speed. If the chain is moving at a slower speed, there is a greater chance for kickback to occur.*
- *Cut one branch at a time.*
- *Use extreme caution when re-entering a previous cut. Engage spiked bumpers into wood and allow chain to reach full speed before proceeding with cut.*
- *Do not attempt plunge cuts or bore cuts.*
- *Watch for shifting branches or other forces that could close a cut and pinch or fall into chain.*

Kickback Safety Features



WARNING: The following features are included on your pole saw to help reduce the hazard of kickback; however such features will not totally eliminate this dangerous reaction. As a pole saw user do not rely only on safety devices. You must follow all safety precautions, instructions, and maintenance in this manual to help avoid kickback and other forces which can result in serious injury.

- **Reduced-Kickback Guide Bar**, designed with a small radius tip which reduces the size of the kickback danger zone on bar tip. A reduced-kickback guide bar is one which has been demonstrated to significantly reduce the number and seriousness of kickbacks when tested in accordance with safety requirements for electric chain saws.
- **Reduced Kickback Chain**, designed with a contoured depth gauge and guard link which deflect kickback force and allow wood to gradually ride into the cutter. A reduced-kickback chain is a chain which has met kickback performance requirements when tested on the representative sample of chain saws.

Pole Saw Names and Terms

- **Drive Sprocket or Sprocket** - The toothed part that drives the saw chain.
- **Guide Bar** - A solid railed structure that supports and guides the saw chain.
- **Guide Bar Scabbard** - Enclosure fitted over guide bar to prevent tooth contact when saw is not in use.
- **Kickback** - The backward or upward motion, or both of the guide bar occurring when the saw chain near the nose of the top area of the guide bar contacts any object such as a log or branch, or when the wood closes in and pinches the saw chain in the cut.
- **Reduced Kickback Chain** - A chain that complies with the kickback performance requirements. (when tested on a representative sample of chain saws.

- **Reduced Kickback Guide Bar** - A guide bar which has been demonstrated to reduce kickback significantly.
- **Replacement Saw Chain** - A chain that complies with kickback performance requirements when tested with specific chain saws. It may not meet performance requirements when used with other saws.
- **Saw Chain** - A loop of chain having cutting teeth, that cut the wood, and that is driven by the motor and is supported by the guide bar.
- **Spiked Bumper (Spike)** - The pointed tooth or teeth for use when pruning to pivot the saw and maintain position while sawing.
- **Switch** - A device that when operated will complete or interrupt an electrical power circuit to the motor of the chain saw.
- **Switch Lockout** - A movable stop that prevents the unintentional operation of the switch until manually actuated.
- **Trimming (Pruning)** - Process of cutting limbs from a tree.
- **Undercut** - An upward cut from underside of a log or limb. This is done while in normal cutting position and cutting with top of guide bar.

Storage

1. **Store indoors.** The best storage place is one that is cool and dry away from direct sunlight, excess heat or cold and out of the reach of children.
2. **Always reduce the tension off the chain again after finishing work. The chain contracts as it cools down.** If tension is not reduced, it can damage the saw.

Residual Risks

In spite of the application of the relevant safety regulations and the implementation of safety devices, certain residual risks cannot be avoided. These are:

- *Impairment of hearing.*
- *Risk of personal injury due to flying particles.*
- *Risk of burns due to accessories becoming hot during operation.*
- *Risk of personal injury due to prolonged use.*

SAVE THESE INSTRUCTIONS

Chargers

STANLEY FATMAX chargers require no adjustment and are designed to be as easy as possible to operate.

Electrical Safety

The electric motor has been designed for one voltage only. Always check that the battery pack voltage corresponds to the voltage on the rating plate. Also make sure that the voltage of your charger corresponds to that of your mains.



Your STANLEY FATMAX charger is double insulated in accordance with EN60335; therefore no earth wire is required.

If the supply cord is damaged, it must be replaced by a specially prepared cord available through the STANLEY FATMAX service organisation.

Mains Plug Replacement (U.K. & Ireland Only)

If a new mains plug needs to be fitted:

- Safely dispose of the old plug.
- Connect the brown lead to the live terminal in the plug.
- Connect the blue lead to the neutral terminal.



WARNING: No connection is to be made to the earth terminal.

Follow the fitting instructions supplied with good quality plugs. Recommended fuse: 3 A.

Using an Extension Cable

An extension cord should not be used unless absolutely necessary. Use an approved extension cable suitable for the power input of your charger (see **Technical Data**). The minimum conductor size is 1 mm²; the maximum length is 30 m.

When using a cable reel, always unwind the cable completely.

Important Safety Instructions for All Battery Chargers

SAVE THESE INSTRUCTIONS: This manual contains important safety and operating instructions for compatible battery chargers (refer to **Technical Data**).

- Before using charger, read all instructions and cautionary markings on charger, battery pack, and product using battery pack.



WARNING: Shock hazard. Do not allow any liquid to get inside charger. Electric shock may result.



WARNING: We recommend the use of a residual current device with a residual current rating of 30mA or less.



CAUTION: Burn hazard. To reduce the risk of injury, charge only STANLEY FATMAX rechargeable batteries. Other types of batteries may burst causing personal injury and damage.



CAUTION: Children should be supervised to ensure that they do not play with the appliance.

NOTICE: Under certain conditions, with the charger plugged into the power supply, the exposed charging contacts inside the charger can be shorted by foreign material. Foreign materials of a conductive nature such as, but not limited to, steel wool, aluminum foil or any buildup of metallic particles should be kept away from charger cavities. Always unplug the charger from the power supply when there is no battery pack in the cavity. Unplug charger before attempting to clean

- **DO NOT attempt to charge the battery pack with any chargers other than the ones in this manual.** The charger and battery pack are specifically designed to work together.
- **These chargers are not intended for any uses other than charging STANLEY FATMAX rechargeable batteries.** Any other uses may result in risk of fire, electric shock or electrocution.
- **Do not expose charger to rain or snow.**

- **Pull by plug rather than cord when disconnecting charger.** This will reduce risk of damage to electric plug and cord.
- **Make sure that cord is located so that it will not be stepped on, tripped over, or otherwise subjected to damage or stress.**
- **Do not use an extension cord unless it is absolutely necessary.** Use of improper extension cord could result in risk of fire, electric shock, or electrocution.
- **Do not place any object on top of charger or place the charger on a soft surface that might block the ventilation slots and result in excessive internal heat.** Place the charger in a position away from any heat source. The charger is ventilated through slots in the top and the bottom of the housing.
- **Do not operate charger with damaged cord or plug—** have them replaced immediately.
- **Do not operate charger if it has received a sharp blow, been dropped, or otherwise damaged in any way.** Take it to an authorised service centre.
- **Do not disassemble charger; take it to an authorised service centre when service or repair is required.** Incorrect reassembly may result in a risk of electric shock, electrocution or fire.
- In case of damaged power supply cord the supply cord must be replaced immediately by the manufacturer, its service agent or similar qualified person to prevent any hazard.
- **Disconnect the charger from the outlet before attempting any cleaning. This will reduce the risk of electric shock.** Removing the battery pack will not reduce this risk.
- **NEVER** attempt to connect two chargers together.
- **The charger is designed to operate on standard 230V household electrical power. Do not attempt to use it on any other voltage.** This does not apply to the vehicular charger.

Charging a Battery (Fig. B)

1. Plug the charger into an appropriate outlet before inserting battery pack.
2. Insert the battery pack **6** into the charger, making sure the battery pack is fully seated in the charger. The red (charging) light will blink repeatedly indicating that the charging process has started.
3. The completion of charge will be indicated by the red light remaining ON continuously. The battery pack is fully charged and may be used at this time or left in the charger. To remove the battery pack from the charger, push the battery release button **24** on the battery pack.

NOTE: To ensure maximum performance and life of lithium-ion battery packs, charge the battery pack fully before first use.

Charger Operation

Refer to the indicators below for the charge status of the battery pack.

Charge Indicators



*The red light will continue to blink, but a yellow indicator light will be illuminated during this operation. Once the battery pack has reached an appropriate temperature, the yellow light will turn off and the charger will resume the charging procedure.

The compatible charger(s) will not charge a faulty battery pack. The charger will indicate faulty battery by refusing to light.

NOTE: This could also mean a problem with a charger.

If the charger indicates a problem, take the charger and battery pack to be tested at an authorised service centre.

Hot/Cold Pack Delay

When the charger detects a battery pack that is too hot or too cold, it automatically starts a Hot/Cold Pack Delay, suspending charging until the battery pack has reached an appropriate temperature. The charger then automatically switches to the pack charging mode. This feature ensures maximum battery pack life.

A cold battery pack will charge at a slower rate than a warm battery pack. The battery pack will charge at that slower rate throughout the entire charging cycle and will not return to maximum charge rate even if the battery pack warms.

Electronic Protection System

XR Li-Ion tools are designed with an Electronic Protection System that will protect the battery pack against overloading, overheating or deep discharge.

The tool will automatically turn off if the Electronic Protection System engages. If this occurs, place the lithium-ion battery pack on the charger until it is fully charged.

Wall Mounting

These chargers are designed to be wall mountable or to sit upright on a table or work surface. If wall mounting, locate the charger within reach of an electrical outlet, and away from a corner or other obstructions which may impede air flow. Use the back of the charger as a template for the location of the mounting screws on the wall. Mount the charger securely using drywall screws (purchased separately) at least 25.4 mm long with a screw head diameter of 7–9 mm, screwed into wood to an optimal depth leaving approximately 5.5 mm of the screw exposed. Align the slots on the back of the charger with the exposed screws and fully engage them in the slots.

Charger Cleaning Instructions



WARNING: Shock hazard. Disconnect the charger from the AC outlet before cleaning. Dirt and grease may be removed from the exterior of the charger using a cloth or soft non-metallic brush. Do not use water or any cleaning solutions. Never let any liquid get inside the tool; never immerse any part of the tool into a liquid.

Battery Packs

Important Safety Instructions for All Battery Packs

When ordering replacement battery packs, be sure to include catalogue number and voltage.

The battery pack is not fully charged out of the carton. Before using the battery pack and charger, read the safety instructions below. Then follow charging procedures outlined.

READ ALL INSTRUCTIONS

- **Do not charge or use battery in explosive atmospheres, such as in the presence of flammable liquids, gases or dust.** Inserting or removing the battery from the charger may ignite the dust or fumes.
- **Never force battery pack into charger. Do not modify battery pack in any way to fit into a non-compatible charger as battery pack may rupture causing serious personal injury.**
- Charge the battery packs only in STANLEY FATMAX chargers.
- **DO NOT splash or immerse in water or other liquids.**
- **Do not store or use the tool and battery pack in locations where the temperature may reach or exceed 40 °C (104 °F) (such as outside sheds or metal buildings in summer).**
- **Do not incinerate the battery pack even if it is severely damaged or is completely worn out.** The battery pack can explode in a fire. Toxic fumes and materials are created when lithium-ion battery packs are burned.
- **If battery contents come into contact with the skin, immediately wash area with mild soap and water.** If battery liquid gets into the eye, rinse water over the open eye for 15 minutes or until irritation ceases. If medical attention is needed, the battery electrolyte is composed of a mixture of liquid organic carbonates and lithium salts.
- **Contents of opened battery cells may cause respiratory irritation.** Provide fresh air. If symptoms persists, seek medical attention.



WARNING: Burn hazard. Battery liquid may be flammable if exposed to spark or flame.



WARNING: Never attempt to open the battery pack for any reason. If battery pack case is cracked or damaged, do not insert into charger. Do not crush, drop or damage battery pack. Do not use a battery pack or charger that has received a sharp blow, been dropped, run over or damaged in any way (i.e., pierced with a nail, hit with a hammer, stepped on). Electric shock or electrocution may result. Damaged battery packs should be returned to service centre for recycling.



WARNING: Fire hazard. Do not store or carry the battery pack so that metal objects can contact exposed battery terminals. For example, do not place the battery pack in aprons, pockets, tool boxes, product kit boxes, drawers, etc., with loose nails, screws, keys, etc.



CAUTION: When not in use, place tool on its side on a stable surface where it will not cause a tripping

or falling hazard. Some tools with large battery packs will stand upright on the battery pack but may be easily knocked over.

Transportation



WARNING: Fire hazard. Transporting batteries can possibly cause fire if the battery terminals inadvertently come in contact with conductive materials. When transporting batteries, make sure that the battery terminals are protected and well insulated from materials that could contact them and cause a short circuit. **NOTE:** Lithium-ion batteries should not be put in checked baggage.

STANLEY FATMAX batteries comply with all applicable shipping regulations as prescribed by industry and legal standards which include UN Recommendations on the Transport of Dangerous Goods; International Air Transport Association (IATA) Dangerous Goods Regulations, International Maritime Dangerous Goods (IMDG) Regulations, and the European Agreement Concerning The International Carriage of Dangerous Goods by Road (ADR). Lithium-ion cells and batteries have been tested to section 38.3 of the UN Recommendations on the Transport of Dangerous Goods Manual of Tests and Criteria.

In most instances, shipping a STANLEY FATMAX battery pack will be excepted from being classified as a fully regulated Class 9 Hazardous Material. In general, only shipments containing a lithium-ion battery with an energy rating greater than 100 Watt Hours (Wh) will require being shipped as fully regulated Class 9. All lithium-ion batteries have the Watt Hour rating marked on the pack. Furthermore, due to regulation complexities, STANLEY FATMAX does not recommend air shipping lithium-ion battery packs alone regardless of Watt Hour rating. Shipments of tools with batteries (combo kits) can be air shipped as excepted if the Watt Hour rating of the battery pack is no greater than 100 Whr.

Regardless of whether a shipment is considered excepted or fully regulated, it is the shipper's responsibility to consult the latest regulations for packaging, labeling/marketing and documentation requirements.

The information provided in this section of the manual is provided in good faith and believed to be accurate at the time the document was created. However, no warranty, expressed or implied, is given. It is the buyer's responsibility to ensure that its activities comply with the applicable regulations.

Storage Recommendations

1. The best storage place is one that is cool and dry away from direct sunlight and excess heat or cold. For optimum battery performance and life, store battery packs at room temperature when not in use.
2. For long storage, it is recommended to store a fully charged battery pack in a cool, dry place out of the charger for optimal results.

NOTE: Battery packs should not be stored completely depleted of charge. The battery pack will need to be recharged before use.

Labels on Charger and Battery Pack

In addition to the pictographs used in this manual, the labels on the charger and the battery pack may show the following pictographs:



Read instruction manual before use.



See **Technical Data** for charging time.



Do not probe with conductive objects.



Do not charge damaged battery packs.



Do not expose to water.



Have defective cords replaced immediately.



Charge only between 4 °C and 40 °C.



Only for indoor use.



Discard the battery pack with due care for the environment.

LI-ION



Charge STANLEY FATMAX battery packs only with designated STANLEY FATMAX chargers. Charging battery packs other than the designated STANLEY FATMAX batteries with a STANLEY FATMAX charger may make them burst or lead to other dangerous situations.



Do not incinerate the battery pack.

Battery Type

The SFMCP5620 operates on a 18 volt battery pack.

These battery packs may be used: SFMCB202, SFMCB204, SFMCB206. Refer to **Technical Data** for more information.

Date Code Position (Fig. A)

The date code **14**, which also includes the year of manufacture, is printed into the housing.

Example:

2019 XX XX
Year of Manufacture

Package Contents

The package contains:

- 1 Pole saw
- 1 Shoulder strap

- 1 Instruction manual
- 1 Li-Ion battery pack**
- 1 Li-Ion battery charger**

**Included with SFMCPS620M1 Only

- Check for damage to the tool, parts or accessories which may have occurred during transport.
- Take the time to thoroughly read and understand this manual prior to operation.

Markings on Tool

The following pictograms are shown on the tool:



Read instruction manual before use.



Wear eye protection.



Wear ear protection.



Do not leave in rain.



Wear head protection.



Wear protective gloves.



Cut hazard. Keep fingers away from slot.



Wear protective footwear.



Rotational direction of the saw chain.



Electrocution hazard. Keep at least 10 m away from overhead lines.



Switch the tool off. Before performing any maintenance on the tool, remove the battery from the tool.



Directive 2000/14/EC guaranteed sound power.



Keep bystanders away.



Keep bystanders away.

Description (Fig. A)



WARNING: Never modify the power tool or any part of it. Damage or personal injury could result.

- | | |
|-------------------------|--------------------|
| 1 Handle assembly | 7 Foam gripper |
| 2 Center extension pole | 8 Threaded pole |
| 3 Saw head assembly | 9 Threaded sleeve |
| 4 Trigger switch | 10 Bar clamp |
| 5 Lock button | 11 Sprocket cover |
| 6 Battery | 12 Hex head screws |

13 Guide bar

14 Saw chain

15 Scabbard

16 Hex wrench

17 Oil bottle

18 Branch removal hook

Intended Use

This pole saw is ideal for pruning applications and cutting limbs up to 203 mm in diameter.

DO NOT use under wet conditions or in the presence of flammable liquids or gases.

This pole saw is a professional power tool.

DO NOT let children come into contact with the tool.

Supervision is required when inexperienced operators use this tool.

- **Young children and the infirm.** This appliance is not intended for use by young children or infirm persons without supervision.
- This product is not intended for use by persons (including children) suffering from diminished physical, sensory or mental abilities; lack of experience, knowledge or skills unless they are supervised by a person responsible for their safety. Children should never be left alone with this product.

ASSEMBLY AND ADJUSTMENTS



WARNING: To reduce the risk of serious personal injury, turn tool off and disconnect battery pack before making any adjustments or removing/installing attachments or accessories. An accidental start-up can cause injury.



WARNING: Use only STANLEY FATMAX battery packs and chargers.

Inserting and Removing the Battery Pack from the Tool (Fig. B)

NOTE: Make sure your battery pack 6 is fully charged.

To Install the Battery Pack into the Tool Handle

1. Align the battery pack 6 with the rails inside the tool's handle (Fig. B).
2. Slide it into the handle until the battery pack is firmly seated in the tool and ensure that you hear the lock snap into place.

To Remove the Battery Pack from the Tool

1. Press the release button 24 and firmly pull the battery pack out of the tool handle.
2. Insert battery pack into the charger as described in the charger section of this manual.

Fuel Gauge Battery Packs (Fig. B)

Some STANLEY FATMAX battery packs include a fuel gauge which consists of three green LED lights that indicate the level of charge remaining in the battery pack.

To actuate the fuel gauge, press and hold the fuel gauge button 27. A combination of the three green LED lights will illuminate designating the level of charge left. When the level of charge in the battery is below the usable limit, the fuel gauge will not illuminate and the battery will need to be recharged.

NOTE: The fuel gauge is only an indication of the charge left on the battery pack. It does not indicate tool functionality and is subject to variation based on product components, temperature and end-user application.

Installing and Removing Saw Chain

(Fig. A, C–E)



WARNING: Sharp moving blade. To prevent accidental operation, insure that battery is disconnected from the handle before performing the following operations. Failure to do this could result in serious personal injury.



CAUTION: Sharp moving blade. Always wear protective gloves when installing or removing the chain. The chain is sharp and can cut you when it is not running.

- Place the pole saw on a firm surface. Rotate the two hex head screws **12** counterclockwise with the hex wrench **16** provided.
- Remove sprocket cover **11**, bar clamp **10**, and hex head screws.
- To remove the saw chain **14**, rotate the screw **19** in the front of the housing using the flat screwdriver end of the wrench. Turning the screw counterclockwise allows the guide bar **13** to recede and reduces the tension on the chain so that it may be removed.
- Lift the worn saw chain out of the groove in the guide bar.
- Flip guide bar over.
- To replace the saw chain, check to make sure that the slot in the guide bar is over the location pins **20** shown in Fig. D and that hole below the slot is located over the adjustment pin.
- Place new chain in groove of guide bar and around sprocket. Make sure saw teeth are facing correct direction by matching the graphic on housing or guide bar.
- Rotate the screw in the front of the housing clockwise to increase the chain tension.
- Replace sprocket cover, bar clamp, and hex head screws.
- Follow the instructions in the section **Adjusting Chain Tension**.

Adjusting Chain Tension (Fig. A, C, F, G)

- With the pole saw still on a firm surface check the saw chain **14** tension. The tension is correct when the saw chain snaps back after being pulled 3 mm away from the guide bar **13** with light force from the middle finger and thumb as shown in Fig. F. There should be no “sag” between the guide bar and the saw chain on the underside as shown in Fig. G.
- To adjust saw chain tension, loosen hex head screws **12**.
- Rotate the screw **19** in the front of the housing using the flat screwdriver end of the wrench.
- Do not over-tension the saw chain as this will lead to excessive wear and will reduce the life of the guide bar and saw chain. Overtensioning also reduces the amount of cuts you will get per battery charge.
- Once saw chain tension is correct, tighten hex head screws **12** to clamp bar.

- When the saw chain is new check the tension frequently (after disconnecting battery) during the first 2 hours of use as a new chain stretches slightly.

NOTE: Saw chain tension should be adjusted regularly.

Chain Oiling (Fig. G)

- A high quality bar and chain oil or SAE30 weight motor oil should be used for saw chain **14** and guide bar **13** lubrication. The use of a vegetable based bar and chain oil is recommended when pruning trees. Mineral oil is not recommended because it may harm trees. Never use waste oil or very thick oil. These may damage your pole saw.
- Lubricate the whole saw chain evenly before each use as shown in Figure H. Also lubricate the saw chain whenever replacing a fully discharged battery with a fully charged one.

Transporting Pole Saw (Fig. A)

Always remove the battery pack **6** from the handle and cover the saw chain **14** with the scabbard **15** when transporting the pole saw.

Joining Saw Head Module to Handle Module (Fig. I–L)



WARNING: Sharp moving blade. To prevent accidental operation, insure that battery is disconnected from the handle and that the protective scabbard is in place on the chain before performing the following operations. Failure to do this could result in serious personal injury.

The three assemblies which make up the pole saw are keyed to insure correct assembly. If an assembly does not smoothly attach to another do not force fit.

Combining the handle assembly **2** to the saw head assembly **1** creates a pole saw that is approximately 1.8 m in length as shown in Fig. I.

To attach the handle assembly to the saw head assembly:

- Align the groove **21** on the outside of the coupling end of the handle assembly **2** with the tongue **22** on the inside of the coupling end of the saw head assembly **1**. Refer to Fig. J. Push the two sections completely together. Refer to Fig. K.
- Slide the threaded sleeve **9** on the saw head assembly down as far as possible and rotate the sleeve clockwise until it stops and completely covers the threads as shown in Fig. L.



WARNING: Always check to make sure that the sleeve is completely threaded on and that the red threads are no longer visible. Not threading the sleeve completely on could result in the assemblies becoming disconnected creating a hazardous condition. Periodically check the connections to insure that no red threads are visible.

Joining Center Extension to Saw Head Module and Handle Module (Fig. A, M)

Adding the center extension **3** to the handle assembly **2** and saw head assembly **1** creates a pole saw that is approximately 2.7 m in length as shown in Fig. M.

Refer to to **Joining Saw Head Module to Handle Module** for directions on how to attach the middle assembly to the handle assembly and saw head assembly.

WARNING: Always check to make sure that the sleeve is completely threaded on and that the red threads are no longer visible. Not threading the sleeve completely on could result in the assemblies becoming disconnected creating a hazardous condition. Periodically check the connections to insure that no red threads are visible.

DISASSEMBLY

WARNING: To reduce the risk of serious personal injury, turn unit off and remove the battery pack before making any adjustments or removing/installing attachments or accessories. An accidental start-up can cause injury.

Detaching Saw Head Module (Fig. N)

WARNING: Sharp moving blade. To prevent accidental operation, insure that battery is disconnected from the handle and that the protective scabbard is in place on the chain before performing the following operations. Failure to do this could result in serious personal injury.

When detaching the assemblies, whether it is in the two assembly or three assembly mode, always detach the saw head assembly ① first. To do this, rest the handle assembly ② on the ground and grasp the center of the saw head assembly with one hand as shown in Fig. N. Use your other hand to loosen the threaded sleeve and then pull the two halves apart. Repeat this process if the center extension was attached.

OPERATION

Instructions for Use

WARNING: Always observe the safety instructions and applicable regulations.

WARNING: To reduce the risk of serious personal injury, turn tool off and disconnect battery pack before making any adjustments or removing/installing attachments or accessories. An accidental start-up can cause injury.

Proper Hand Position (Fig. O)

WARNING: To reduce the risk of serious personal injury, ALWAYS use proper hand position as shown.

WARNING: To reduce the risk of serious personal injury, ALWAYS hold securely in anticipation of a sudden reaction.

Proper hand position requires one hand on the main handle ②B and one hand on the foam gripper ⑦.

Operating the Pole Saw (Fig. A)

WARNING: Read and understand all instructions. Failure to follow all instructions listed below may result in electric shock, fire and/or serious personal injury.

CAUTION: Always reduce the tension off the chain again after finishing work. The chain contracts as it cools down. If it is not slackened off, it can damage the pole saw.

IMPORTANT: Never operate a pole saw that is damaged or improperly adjusted or that is not completely and securely assembled. Be sure that the saw chain ④ stops moving when the trigger switch is released. Never adjust the guide bar ⑬ or saw chain when the motor is operating or the battery is attached.

Pole Saw Trimming/Pruning

WARNINGS:

- **Never stand directly under the limb you are cutting.** Always position yourself out of the path of falling debris.
- **Always wear head, eye, foot and body protection.** Wearing body protection helps reduce the risk of injury when operating this unit.
- **Never stand on a ladder or other unstable support while using the pole saw.** Always avoid any position which can cause you to lose your balance and cause severe injury.
- **Keep other persons at least 15 m from the work area.** Distractions can cause you to lose control.
- **Electrocution Hazard.** To prevent shock, do not operate within 15 m of overhead electrical lines. Always check surrounding area for hidden electrical lines.
- **Do not extend pole saw switch handle above shoulder height.**

On/Off Switch (Fig. P)

Always be sure of your footing and grip the pole saw firmly with both hands with the thumb and fingers encircling the handle. To turn the tool ON pull the lock button ⑤ back with your thumb and then squeeze the trigger switch ④ with your fingers as shown in Fig. Q. (Once the tool is running you can release the lock button.) To turn the tool OFF, release the trigger.

Branch Removal Hook (Fig. A)

CAUTION: The branch removal hook is not a belt hook.

Your pole saw includes a branch removal hook ⑱ for the intended purpose of helping to remove small to moderately sized pruned branches.

Pruning With the Pole Saw (Fig. A, O, Q)


WARNING: Let the tool work at its own pace. Do not overload.

WARNING: When pruning trees: guard against kickback which can result in severe injury or death. See **Guard Against Kickback**, to avoid the risk of kickback. Do not overreach. Make sure your footing is firm. Keep feet apart. Divide your weight evenly on both feet.

1. Use both hands to grip pole saw as shown in Figure O. Use a firm grip. Thumbs and fingers must wrap around pole saw handle and pole. Keep fingers away from sawdust exhaust chute ⑳ shown in Figure Q.

2. Never operate while in a tree, in any awkward position or on a ladder or other unstable surface. You may lose control of pole saw causing severe injury.
3. Follow directions below to trim a tree.
 - a. Make sure pole saw is running at full speed before making a cut. When starting a cut, place moving saw chain **14** against limb. Hold pole saw firmly in place to avoid possible bouncing or skating (sideways movement) of pole saw.
 - b. Guide pole saw using light pressure. Make first cut 6" (152 mm) from tree trunk on underside of limb. Use top of guide bar **13** to make this cut. Cut 1/3 through diameter of limb. Then make the finish cut from the top. If you try to cut off thick branches from the bottom, the branch may close in and pinch the saw chain in the cut. If you try to cut off thick branches from the top, without a shallow undercut, the branch may splinter. Do not force pole saw. The motor will overload and can burn out. It will do the job better and safer at the rate for which it was intended.
 - c. Remove pole saw from cut while it is running at full speed. Stop pole saw by releasing trigger switch **4**. Make sure saw chain has stopped before setting pole saw down.

Saw Chain Sharpness


 **CAUTION:** Sharp chain. Always wear protective gloves when handling the chain. The chain is sharp and can cut you when it is not running.

IMPORTANT: The chain cutters will dull immediately if they touch the ground, stones, masonry or a nail while cutting. To get the best possible performance from your chain saw it is important to keep the teeth of the saw chain sharp. Chain sharpening services are available from your nearest STANLEY FATMAX service center.

NOTE: Each time the saw chain is sharpened, it loses some of the reduced kickback qualities and extra caution should be used. It is recommended that a saw chain be sharpened no more than four times.

MAINTENANCE

Your power tool has been designed to operate over a long period of time with a minimum of maintenance. Continuous satisfactory operation depends upon proper tool care and regular cleaning.

 **WARNING:** To reduce the risk of serious personal injury, turn tool off and disconnect battery pack before making any adjustments or removing/ installing attachments or accessories. An accidental start-up can cause injury.

The charger and battery pack are not serviceable.

Regular maintenance ensures a long effective life for the tool. After every 10 minutes of use be sure to remove the battery (be aware the chain and bar can be hot!) check the bar and chain for correct tension and lubricate per **Adjusting Chain Tension** and **Chain Oiling**.





Lubrication

Your power tool requires no additional lubrication.




Cleaning

 **WARNING:** Blow dirt and dust out of the main housing with dry air as often as dirt is seen collecting in and around the air vents. Wear approved eye protection and approved dust mask when performing this procedure.

 **WARNING:** Never use solvents or other harsh chemicals for cleaning the non-metallic parts of the tool. These chemicals may weaken the materials used in these parts. Use a cloth dampened only with water and mild soap. Never let any liquid get inside the tool; never immerse any part of the tool into a liquid.

Optional Accessories

 **WARNING:** Since accessories, other than those offered by STANLEY FATMAX, have not been tested with this product, use of such accessories with this tool could be hazardous. To reduce the risk of injury, only STANLEY FATMAX recommended accessories should be used with this product.

Consult your dealer for further information on the appropriate accessories.

Replacement chain and bar are available from your nearest STANLEY FATMAX service center.

- SFCMPS620 requires replacement chain service part number STZCS220. Replacement 20 cm (8 inch) bar, service part number STZCS1220.

Protecting the Environment



Separate collection. Products and batteries marked with this symbol must not be disposed of with normal household waste.

Products and batteries contain materials that can be recovered or recycled reducing the demand for raw materials. Please recycle electrical products and batteries according to local provisions. Further information is available at www.2helpU.com.

Rechargeable Battery Pack

This long life battery pack must be recharged when it fails to produce sufficient power on jobs which were easily done before. At the end of its technical life, discard it with due care for our environment:

- Run the battery pack down completely, then remove it from the tool.
- Li-ion cells are recyclable. Take them to your dealer or a local recycling station. The collected battery packs will be recycled or disposed of properly.

Guarantee

1 Year Guarantee

All STANLEY FATMAX power tool products include a 1 year guarantee as standard. In the unlikely event that your powertool becomes defective due to faulty materials or workmanship within 1 year of purchase, STANLEY guarantees to replace or repair all defective parts free of charge, or – at our discretion – replace the item free of charge.

3 Year Guarantee

Register your STANLEY FATMAX power tool within 4 weeks of purchase and qualify for an additional 2 year guarantee. Having registered your power tool, in the unlikely event that your powertool becomes defective due to faulty materials or workmanship, STANLEY guarantees to replace or repair all defective parts free of charge, or – at our discretion – replace the item free of charge.

TROUBLESHOOTING GUIDE

BE SURE TO FOLLOW SAFETY RULES AND INSTRUCTIONS

For assistance with your product, visit our website at www.STANLEY FATMAX.com for a list of service centers.

PROBLEM	POSSIBLE CAUSE	SOLUTION
Unit will not start.	Battery pack not installed properly.	Check battery pack installation.
	Battery pack not charged.	Check battery pack charging requirements.
	Lock button not actuated.	Pull back on lock button/actuate trigger.
	Pole connections not properly tightened.	Refer to Joining Saw Head Module to Handle Module .
Battery pack will not charge.	Battery pack not inserted into charger.	Insert battery pack into charger until LED illuminates.
	Charger not plugged in.	Plug charger into a working outlet. Refer to Charging a Battery for more details.
	Surrounding air temperature too hot or too cold.	Move battery pack to a surrounding air temperature of above 40 °F (4.5 °C) or below 104 °F (+40 °C).
Bar/chain overheated.	Chain too tight.	Refer to Adjusting Chain Tension .
	Lubrication needed.	Refer to Chain Oiling .
Chain is loose.	Chain tension set incorrectly.	Refer to Adjusting Chain Tension .
Poor cut quality.	Chain tension set incorrectly.	Refer to Adjusting Chain Tension . NOTE: Excessive tension leads to excessive wear and reduction in life of bar & chain. Lubricate after every 10 minutes of use.
	Chain needs replacement.	Refer to Installing and Removing Saw Chain .
Unit runs but does not cut.	Chain installed backwards.	Refer to Installing and Removing Saw Chain .

United Kingdom

Stanley Fat Max
270 Bath Road
Slough, Berkshire SL1 4DX

Tel. 01753 511234
Fax 01753 572112
www.stanleytools.co.uk