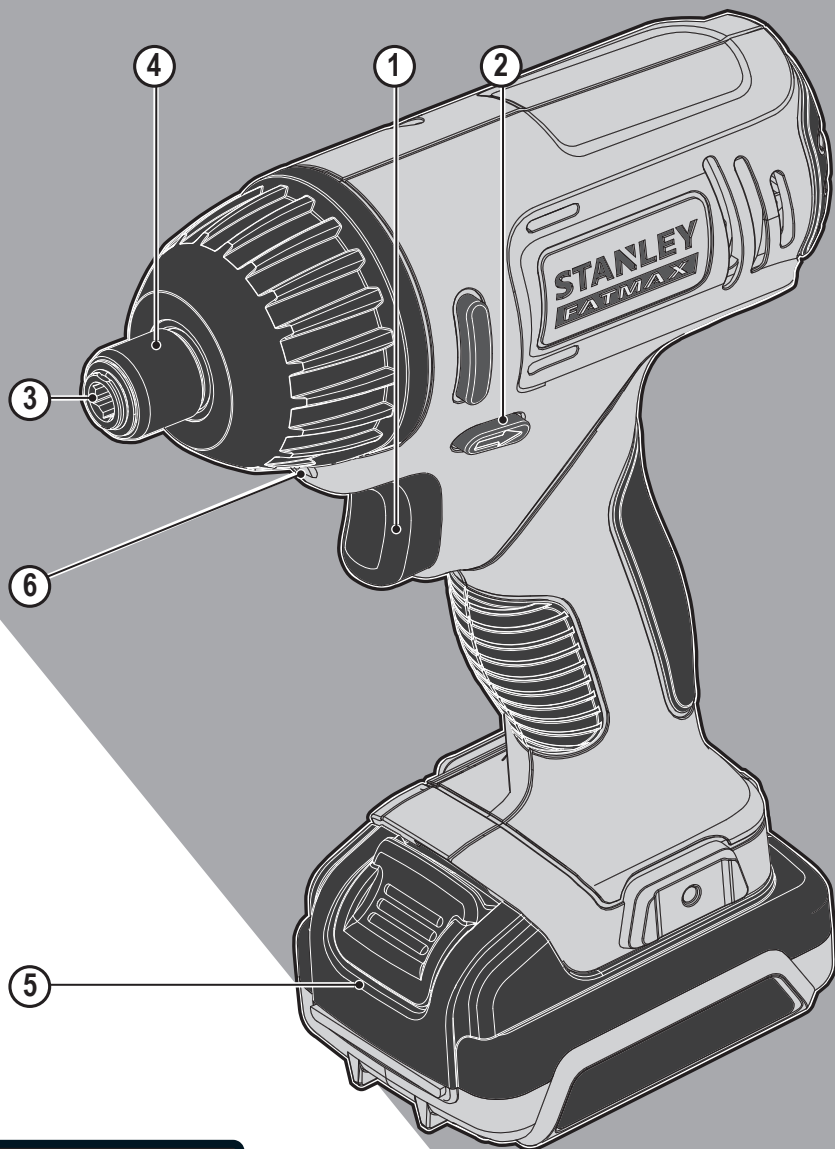


# STANLEY®

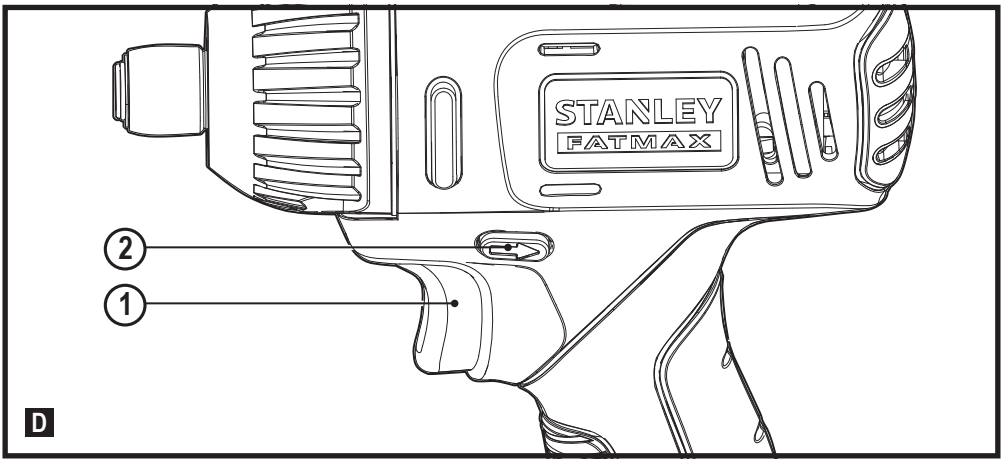
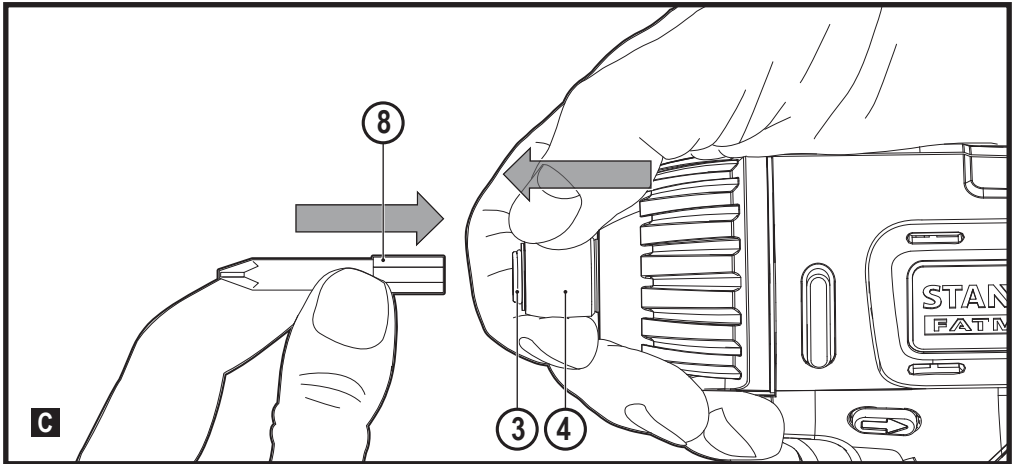
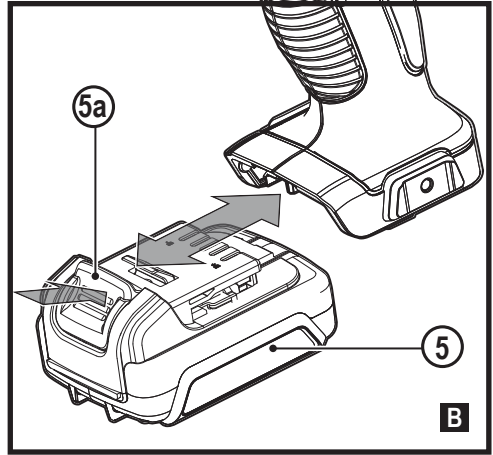
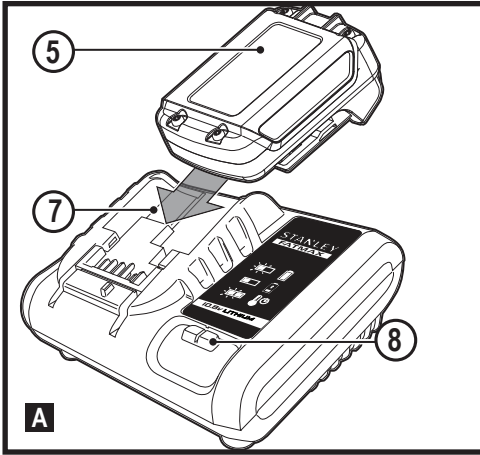
## FATMAX®



[www.stanley.eu](http://www.stanley.eu)

FMC041

English ( <b>original instructions</b> )	4
Deutsch ( <i>übersetzt von den originalanweisungen</i> )	10
Français ( <i>traduction de la notice d'instructions originale</i> )	16
Italiano ( <i>tradotto dalle istruzioni originali</i> )	22
Nederlands ( <i>vertaald vanuit de originele instructies</i> )	28
Español ( <i>traducido de las instrucciones originales</i> )	34
Português ( <i>traduzido das instruções originais</i> )	40
Svenska ( <i>översatt från de ursprungliga instruktionerna</i> )	46
Norsk ( <i>oversatt fra de originale instruksjonene</i> )	52
Dansk ( <i>oversat fra original brugsvejledning</i> )	58
Suomi ( <i>käännetty alkuperäisestä käyttöohjeesta</i> )	64
Ελληνικά ( <i>μετάφραση από τις πρωτότυπες οδηγίες</i> )	69



## Intended use

Your Stanley Fat Max FMC041 impact driver has been designed for screwdriving and nut setting applications. This tool is intended for professional and private, non professional users.

## Safety instructions

### General power tool safety warnings



**Warning! Read all safety warnings, instructions, illustrations and specifications provided with this power tool.** Failure to follow the warnings and instructions listed below may result in electric shock, fire and/or serious injury..

### Save all warnings and instructions for future reference.

The term "power tool" in all of the warnings listed below refers to your mains operated (corded) power tool or battery operated (cordless) power tool.

#### 1. Work area safety

- a. **Keep work area clean and well lit.** Cluttered or dark areas invite accidents.
- b. **Do not operate power tools in explosive atmospheres, such as in the presence of flammable liquids, gases or dust.** Power tools create sparks which may ignite the dust or fumes.
- c. **Keep children and bystanders away while operating a power tool.** Distractions can cause you to lose control.

#### 2. Electrical safety

- a. **Power tool plugs must match the outlet. Never modify the plug in any way.**  
Do not use any adapter plugs with earthed (grounded) power tools. Unmodified plugs and matching outlets will reduce risk of electric shock.
- b. **Avoid body contact with earthed or grounded surfaces such as pipes, radiators, ranges and refrigerators.** There is an increased risk of electric shock if your body is earthed or grounded.
- c. **Do not expose power tools to rain or wet conditions.** Water entering a power tool will increase the risk of electric shock.
- d. **Do not abuse the cord. Never use the cord for carrying, pulling or unplugging the power tool. Keep cord away from heat, oil, sharp edges or moving parts.** Damaged or entangled cords increase the risk of electric shock.
- e. **When operating a power tool outdoors, use an extension cord suitable for outdoor use.** Use of a cord suitable for outdoor use reduces the risk of electric shock.
- f. **If operating a power tool in a damp location is unavoidable, use a residual current device (RCD)**

**protected supply.** Use of an RCD reduces the risk of electric shock.

#### 3. Personal safety

- a. **Stay alert, watch what you are doing and use common sense when operating a power tool.**  
Do not use a power tool while you are tired or under the influence of drugs, alcohol or medication. A moment of inattention while operating power tools may result in serious personal injury.
  - b. **Use personal protective equipment. Always wear eye protection.** Protective equipment such as dust mask, non-skid safety shoes, hard hat, or hearing protection used for appropriate conditions will reduce personal injuries.
  - c. **Prevent unintentional starting. Ensure the switch is in the off-position before connecting to power source and/or battery pack, picking up or carrying the tool.** Carrying power tools with your finger on the switch or energising power tools that have the switch on invites accidents.
  - d. **Remove any adjusting key or wrench before turning the power tool on.** A wrench or a key left attached to a rotating part of the power tool may result in personal injury.
  - e. **Do not overreach. Keep proper footing and balance at all times.** This enables better control of the power tool in unexpected situations.
  - f. **Dress properly. Do not wear loose clothing or jewellery. Keep your hair, clothing and gloves away from moving parts.** Loose clothes, jewellery or long hair can be caught in moving parts.
  - g. **If devices are provided for the connection of dust extraction and collection facilities, ensure these are connected and properly used.** Use of dust collection can reduce dust-related hazards.
  - h. **Do not let familiarity gained from frequent use of tools allow you to become complacent and ignore tool safety principles.** A careless action can cause severe injury within a fraction of a second.
- #### 4. Power tool use and care
- a. **Do not force the power tool. Use the correct power tool for your application.**  
The correct power tool will do the job better and safer at the rate for which it was designed.
  - b. **Do not use the power tool if the switch does not turn it on and off.** Any power tool that cannot be controlled with the switch is dangerous and must be repaired.
  - c. **Disconnect the plug from the power source and/or the battery pack from the power tool before making any adjustments, changing accessories, or storing power tools.** Such preventive safety measures reduce the risk of starting the power tool accidentally.

- d. **Store idle power tools out of the reach of children and do not allow persons unfamiliar with the power tool or these instructions to operate the power tool.**

Power tools are dangerous in the hands of untrained users.

- e. **Maintain power tools and accessories. Check for misalignment or binding of moving parts, breakage of parts and any other condition that may affect the power tools operation. If damaged, have the power tool repaired before use.** Many accidents are caused by poorly maintained power tools.

- f. **Keep cutting tools sharp and clean.** Properly maintained cutting tools with sharp cutting edges are less likely to bind and are easier to control.

- g. **Use the power tool, accessories and tool bits etc. in accordance with these instructions, taking into account the working conditions and the work to be performed.**

Use of the power tool for operations different from those intended could result in a hazardous situation.

- h. **Keep handles and grasping surfaces dry, clean and free from oil and grease. Slippery handles and grasping surfaces do not allow for safe handling and control of the tool in unexpected situations.**

## 5. Battery tool use and care

- a. **Recharge only with the charger specified by the manufacturer.** A charger that is suitable for one type of battery pack may create a risk of fire when used with another battery pack.
- b. **Use power tools only with specifically designated battery packs.** Use of any other battery packs may create a risk of injury and fire.
- c. **When battery pack is not in use, keep it away from other metal objects, like paper clips, coins, keys, nails, screws, or other small metal objects, that can make a connection from one terminal to another.**  
Shorting the battery terminals together may cause burns or a fire.
- d. **Under abusive conditions, liquid may be ejected from the battery; avoid contact. If contact accidentally occurs, flush with water. If liquid contacts eyes, additionally seek medical help.** Liquid ejected from the battery may cause irritation or burns.

## 6. Service

- a. **Have your power tool serviced by a qualified repair person using only identical replacement parts. This will ensure that the safety of the power tool is maintained.**
- b. **Never service damaged BATTERY packs. Service of BATTERY packs should only be performed by the manufacturer or authorized service providers.**

## Additional power tool safety warnings



**Warning!** Additional safety warnings for impact drivers

- ◆ **Wear ear protectors with impact drilling.** Exposure to noise can cause hearing loss.
- ◆ **Use auxiliary handles supplied with the tool.** Loss of control can cause personal injury.
- ◆ **Hold power tool by insulated gripping surfaces when performing an operation where the fastener may contact hidden wiring.** Fasteners contacting a "live" wire may make exposed metal parts of the power tool "live" and could give the operator an electric shock.
- ◆ **Use clamps or another practical way to secure and support the workpiece to a stable platform.** Holding the work by hand or against your body leaves it unstable and may lead to loss of control.
- ◆ This tool is not intended for use by persons (including children) with reduced physical, sensory or mental capabilities, or lack of experience and knowledge, unless they have been given supervision or instruction concerning use of the appliance by a person responsible for their safety. Children should be supervised to ensure that they do not play with the appliance.
- ◆ The intended use is described in this instruction manual. The use of any accessory or attachment or performance of any operation with this tool other than those recommended in this instruction manual may present a risk of personal injury and/or damage to property.



**Warning!** Impact drivers are not torque drivers. Do not use this tool for tightening fasteners to specified torques. An independent, calibrated torque measurement device such as a torque wrench should be used when under tightened or over tightened fasteners can lead to the failure of the joint.

## Safety of others

- ◆ This tool is not intended for use by persons (including children) with reduced physical, sensory or mental capabilities, or lack of experience and knowledge, unless they have been given supervision or instruction concerning use of the appliance by a person responsible for their safety.
- ◆ Children should be supervised to ensure that they do not play with the appliance.

## Residual risks

Additional residual risks may arise when using the tool which may not be included in the enclosed safety warnings. These risks can arise from misuse, prolonged use etc.

Even with the application of the relevant safety regulations and the implementation of safety devices, certain residual risks can not be avoided. These include:

- ◆ Injuries caused by touching any rotating/moving parts.

- ◆ Injuries caused when changing any parts, blades or accessories.
- ◆ Injuries caused by prolonged use of a tool. When using any tool for prolonged periods ensure you take regular breaks.
- ◆ Impairment of hearing.
- ◆ Health hazards caused by breathing dust developed when using your tool (example:- working with wood, especially oak, beech and MDF.)

### Vibration

The declared vibration emission values stated in the technical data and the declaration of conformity have been measured in accordance with a standard test method provided by EN62841 and may be used for comparing one tool with another.

The declared vibration emission value may also be used in a preliminary assessment of exposure.

**Warning!** The vibration emission value during actual use of the power tool can differ from the declared value depending on the ways in which the tool is used. The vibration level may increase above the level stated.

When assessing vibration exposure to determine safety measures required by 2002/44/EC to protect persons regularly using power tools in employment, an estimation of vibration exposure should consider, the actual conditions of use and the way the tool is used, including taking account of all parts of the operating cycle such as the times when the tool is switched off and when it is running idle in addition to the trigger time.

### Labels on tool

The following pictograms along with the date code are shown on the tool:



**Warning!** To reduce the risk of injury, the user must read the instruction manual.



Wear ear protectors with impact drills. Exposure to noise can cause hearing loss



Do not stare at operating lamp

### Additional safety instructions for batteries and chargers

#### Batteries

- ◆ Never attempt to open for any reason.
- ◆ Do not expose the battery to water.
- ◆ Do not store in locations where the temperature may exceed 40 °C.
- ◆ Charge only at ambient temperatures between 10 °C and 40 °C.
- ◆ Charge only using the charger provided with the tool.

- ◆ When disposing of batteries, follow the instructions given in the section "Protecting the environment".

### Chargers

- ◆ Use your STANLEY FAT MAX charger only to charge the battery in the tool with which it was supplied. Other batteries could burst, causing personal injury and damage.
- ◆ Never attempt to charge non-rechargeable batteries.
- ◆ Have defective cords replaced immediately.
- ◆ Do not expose the charger to water.
- ◆ Do not open the charger.
- ◆ Do not probe the charger.



The charger is intended for indoor use only.



Read the instruction manual before use.



Do not attempt to charge damaged batteries.

### Electrical safety



Your charger is double insulated; therefore no earth wire is required. Always check that the mains voltage corresponds to the voltage on the rating plate. Never attempt to replace the charger unit with a regular mains plug.

- ◆ If the supply cord is damaged, it must be replaced by the manufacturer or an authorised STANLEY FAT MAX Service Centre in order to avoid a hazard.

### Features

This tool includes some or all of the following features.

1. Variable speed switch
2. Forward/reverse slider
3. Chuck
4. Chuck collar
5. Battery
6. LED work light

### Fig. A

7. Charger
8. Charging indicator

### Assembly

**Warning!** Before assembly, remove the battery from the tool.

#### Fitting and removing the battery (fig. B)

- ◆ To fit the battery (5), line it up with the receptacle on the tool. Slide the battery into the receptacle and push until the battery snaps into place.
- ◆ To remove the battery, push the release buttons (5a) while at the same time pulling the battery out of the receptacle.

## Fitting and removing a screwdriver bit or socket (fig. C)

This tool is fitted with a quick release chuck to allow for an easy exchange of bits.

**Warning!** Make certain the tool is locked to prevent switch actuation before installing or removing accessories.

- ◆ Lock the tool by setting the forward/reverse slider (2) to the centre position.
- ◆ Pull and hold the chuck collar (4) away from the front of the tool.
- ◆ Insert the bit shaft (8) into the chuck (3).
- ◆ Release the collar. The accessory is locked in place.

**Note!** To remove the bit/socket repeat the above steps.

**Warning!** Use only impact sockets. Non-impact sockets may break and cause a hazardous condition. Inspect socket prior to use to ensure that it contains no cracks.

## Use

**Warning!** Let the tool work at its own pace. Do not overload.

## Charging the battery (fig. A)

The battery needs to be charged before first use and whenever it fails to produce sufficient power on jobs that were easily done before. The battery may become warm while charging; this is normal and does not indicate a problem.

**Warning!** Do not charge the battery at ambient temperatures below 10 °C or above 40 °C. Recommended charging temperature: approx. 24 °C.

**Note: The charger will not charge a battery if the cell temperature is below approximately 10 °C or above 40 °C. The battery should be left in the charger and the charger will begin to charge automatically when the cell temperature warms up or cools down.**

- ◆ To charge the battery (5), insert it into the charger (7). The battery will only fit into the charger in one way. Do not force. Be sure that the battery is fully seated in the charger.
- ◆ Plug in the charger and switch on at the mains.

The charging indicator (8) will flash green continuously (slowly).

The charge is complete when the charging indicator (8) lights green continuously. The charger and the battery can be left connected indefinitely with the LED illuminated. The LED will change to flashing green (charging) state as the charger occasionally tops up the battery charge. The charging indicator (8) will be lit as long as the battery is connected to the plugged-in charger.

- ◆ Charge discharged batteries within 1 week. Battery life will be greatly diminished if stored in a discharged state.

## Leaving the battery in the charger

The charger and battery pack can be left connected with the LED glowing indefinitely. The charger will keep the battery pack fresh and fully charged.

## Charger diagnostics

If the charger detects a weak or damaged battery, the charging indicator (8) will flash red at a fast rate. Proceed as follows:

- ◆ Re-insert the battery (5).
- ◆ If the charging indicators continues flashing red at a fast rate, use a different battery to determine if the charging process works properly.
- ◆ If the replaced battery charges correctly, the original battery is defective and should be returned to a service centre for recycling.
- ◆ If the new battery gives the same indication as the original battery, take the charger to be tested at an authorised service centre.

**Note: It may take as long as 60 minutes to determine that the battery is defective. If the battery is too hot or too cold, the LED will alternately blink red, fast and slow, one flash at each speed and repeat.**

## Selecting the direction of rotation (fig. D)

For tightening, use forward (clockwise) rotation. For loosening, use reverse (counterclockwise) rotation.

- ◆ To select forward rotation, push the forward/reverse slider (2) to the left.
- ◆ To select reverse rotation, push the forward/reverse slider to the right.
- ◆ To lock the tool, set the forward/reverse slider into the centre position.

## Screwdriving / nut setting

- ◆ Select the appropriate bit / socket for the screw or nut to be driven.
- ◆ Select forward or reverse rotation as described above.
- ◆ Hold the tool in line with the fastener.
- ◆ After tightening, check torque with a torque wrench.

## LED work light

The LED work light (6) is activated automatically when the trigger is depressed. The LED work light will illuminate when the trigger is partially depressed, before the unit begins running.

## Hints for optimum use

### Screwdriving

- ◆ Always use the correct type and size of screwdriver bit.
- ◆ If screws are difficult to tighten, try applying a small amount of washing liquid or soap as a lubricant.
- ◆ Always hold the tool and screwdriver bit in a straight line with the screw.

## Maintenance

Your Stanley Fat Max tool has been designed to operate over a long period of time with a minimum of maintenance. Continuous satisfactory operation depends upon proper tool care and regular cleaning.

Your charger does not require any maintenance apart from regular cleaning.

**Warning!** Before performing any maintenance on the tool, remove the battery from the tool.

Unplug the charger before cleaning it.

- ◆ Regularly clean the ventilation slots in your tool and charger using a soft brush or dry cloth.
- ◆ Regularly clean the motor housing using a damp cloth. Do not use any abrasive or solvent-based cleaner.
- ◆ Regularly open the chuck and tap it to remove any dust from the interior.

**Protecting the environment**



Separate collection. Products and batteries marked with this symbol must not be disposed of with normal household waste.

Products and batteries contain materials that can be recovered or recycled reducing the demand for raw materials. Please recycle electrical products and batteries according to local provisions. Further information is available at [www.2helpU.com](http://www.2helpU.com)

**Technical data**

		FMC041
<b>Voltage</b>	V <sub>DC</sub>	10.8
<b>No-load speed</b>	Min <sup>-1</sup>	0-2500
<b>Beats</b>	BPM	0 - 3400
<b>Max. torque</b> (PTI Method)	Nm	110
<b>Chuck capacity</b>	mm	6 (Hex)
<b>Weight</b>	kg	1.0

Charger		N472239/N472243
Input Voltage	V <sub>AC</sub>	230
Output Voltage	V <sub>DC</sub>	22
Current	A	1.25
Approx. charge time	min	70 (1.5AH)

Battery		FMC086L
Voltage	V <sub>DC</sub>	10.8
Capacity	Ah	1.5
Type		Li-Ion

Level of sound pressure according to EN 62841:	
Sound pressure (L <sub>pA</sub> )	91,5 dB(A), uncertainty (K) 5 dB(A)
Sound power (L <sub>WA</sub> )	102,5 dB(A), uncertainty (K) 5 dB(A)

Vibration total values (triax vector sum) according to EN 62841:	
Fastening with impact (a <sub>h</sub> )	12,9 m/s <sup>2</sup> , uncertainty (K) 1,5 m/s <sup>2</sup>

**Declaration of conformity  
The Supply of Machinery (Safety)  
Regulations 2008**



Cordless Impact Driver - FMC041

Stanley Fat Max declares that these products described under "technical data" are in compliance with:

The Supply of Machinery (Safety) Regulations, 2008, S.I. 2008/1597 (as amended), EN62841-1:2015, EN62841-2-2:2014.

These products also conform to the following UK Regulations: Electromagnetic Compatibility Regulations, 2016, S.I.2016/1091 (as amended).

The Restriction of the Use of Certain Hazardous Substances in Electrical and Electronic Equipment Regulations 2012, S.I. 2012/3032 (as amended).

For more information, please contact Stanley Fat Max at the following address or refer to the back of the manual.

The undersigned is responsible for compilation of the technical file and makes this declaration on behalf of Stanley Fat Max.

Ed Higgins  
Director - Consumer Power Tools  
Stanley Fat Max UK, 270 Bath Road, Slough  
Berkshire, SL1 4DX  
United Kingdom  
27/07/2020

**EC declaration of conformity**

MACHINERY DIRECTIVE



Cordless Impact Driver - FMC041

Stanley Fat Max declares that these products described under "technical data" are in compliance with: 2006/42/EC, EN62841-1:2015, EN62841-2-2:2014.

These products also comply with Directive 2014/30/EU and 2011/65/EU.



For more information, please contact Stanley Fat Max at the following address or refer to the back of the manual.

The undersigned is responsible for compilation of the technical file and makes this declaration on behalf of Stanley Europe.



Patrick Diepenbach  
General Manager, Benelux  
Stanley Fat Max,  
Egide Walschaertsstraat 14-18  
2800 Mechelen, Belgium  
27/07/2020

## Guarantee

Stanley Fat Max is confident of the quality of its products and offers consumers a 12 month guarantee from the date of purchase. This guarantee is in addition to and in no way prejudices your statutory rights. The guarantee is valid within the territories of the Member States of the European Union and the European Free Trade Area.

To claim on the guarantee, the claim must be in accordance with Stanley Fat Max Terms and Conditions and you will need to submit proof of purchase to the seller or an authorised repair agent. Terms and conditions of the Stanley Fat Max 1 year guarantee and the location of your nearest authorised repair agent can be obtained on the Internet at [www.2helpU.com](http://www.2helpU.com), or by contacting your local Stanley Fat Max office at the address indicated in this manual.

Please visit our website [www.blackanddecker.co.uk](http://www.blackanddecker.co.uk) to register your new Stanley Fat Max product and receive updates on new products and special offers.

## Verwendungszweck

Ihr Stanley FatMax Schlagschrauber FMC041 ist für Schraub- und Setzarbeiten ausgelegt. Dieses Gerät ist zum gewerblichen und privaten Einsatz vorgesehen.

## Sicherheitshinweise

### Allgemeine Sicherheitswarnhinweise für Elektrowerkzeuge



**Warnung! Beachten Sie alle Sicherheitshinweise, Anweisungen, Darstellungen und Daten, die Sie mit dem Gerät erhalten.**

Die Nichteinhaltung der nachstehend aufgeführten Warnungen und Anweisungen kann einen elektrischen Schlag, Brand und/oder schwere Verletzungen verursachen.

**Bewahren Sie alle Warnhinweise und alle Anweisungen auf.** Der Begriff „Elektrowerkzeug“ in den Warnhinweisen bezieht sich auf Ihr netzbetriebenes Elektrowerkzeug (mit Kabel) oder auf Ihr akkubetriebenes (kabelloses) Elektrowerkzeug.

#### 1. Sicherheit im Arbeitsbereich


- a. **Halten Sie Ihren Arbeitsbereich sauber und gut ausgeleuchtet.** Unaufgeräumte oder dunkle Bereiche begünstigen Unfälle.
- b. **Betreiben Sie das Gerät nicht in Umgebungen, in denen Explosionsgefahr z. B. aufgrund von brennbaren Flüssigkeiten, Gasen oder Staub besteht.** Elektrowerkzeuge erzeugen Funken, die den Staub oder die Dämpfe entzünden können.
- c. **Halten Sie Kinder und andere Personen während der Benutzung eines Geräts fern.** Ablenkung kann dazu führen, dass Sie die Kontrolle über das Gerät verlieren.

#### 2. Elektrische Sicherheit

- a. **Der Netzstecker des Geräts muss in die Steckdose passen. Ändern Sie niemals den Stecker in irgendeiner Form.**  
**Verwenden Sie keinerlei Adapterstecker an geerdeten Elektrogeräten.** Unveränderte Stecker und passende Steckdosen mindern die Gefahr eines elektrischen Schlages.
- b. **Vermeiden Sie Körperkontakt mit geerdeten Oberflächen von Rohren, Heizungen, Herden und Kühlschränken.** Es besteht eine erhöhte Gefahr für einen elektrischen Schlag, wenn Ihr Körper geerdet ist.
- c. **Halten Sie Geräte von Regen und Nässe fern.** Wenn Wasser in das Elektrogerät eindringt, erhöht sich die Gefahr eines elektrischen Schlages.
- d. **Verwenden Sie das Kabel ordnungsgemäß.**  
**Verwenden Sie niemals das Kabel, um das Elektrogerät zu tragen oder durch Ziehen vom Netz zu trennen. Halten Sie das Kabel fern von Hitze, Öl,**

**scharfen Kanten oder beweglichen Teilen.** Beschädigte oder verhedderte Kabel erhöhen die Gefahr eines elektrischen Schlages.

- e. **Verwenden Sie nur für den Außenbereich zugelassene Verlängerungskabel, wenn Sie mit dem Gerät im Freien arbeiten.** Die Verwendung von für den Außeneinsatz geeigneten Kabeln mindert die Gefahr eines elektrischen Schlages.
  - f. **Wenn das Gerät in einer feuchten Umgebung verwendet werden muss, schließen Sie es unbedingt an eine Steckdose mit Fehlerstromschutzschalter (FI-Schalter) an.** Der Einsatz eines Fehlerstromschutzschalters mindert die Gefahr eines elektrischen Schlages.
- #### 3. Persönliche Sicherheit
- a. **Seien Sie aufmerksam, achten Sie darauf, was Sie tun, und gehen Sie sachgerecht mit einem Gerät um. Benutzen Sie kein Elektrowerkzeug, wenn Sie müde sind oder unter dem Einfluss von Drogen, Alkohol oder Medikamenten stehen.** Ein Moment der Unachtsamkeit beim Betrieb eines Elektrogeräts kann zu schweren Verletzungen führen.
  - b. **Verwenden Sie eine geeignete Schutzausrüstung. Tragen Sie immer einen Augenschutz.** Das Tragen persönlicher Schutzausrüstung, wie Staubmaske, rutschfeste Sicherheitsschuhe, Schutzhelm oder Gehörschutz, je nach Art und Einsatz des Elektrowerkzeugs, verringert das Risiko von Verletzungen.
  - c. **Vermeiden Sie eine unbeabsichtigte Inbetriebnahme. Vergewissern Sie sich, dass der Schalter in der AUS-Position ist, bevor Sie das Gerät an die Stromversorgung und/oder an den Akku anschließen oder wenn Sie das Gerät aufnehmen oder tragen.** Wenn Sie beim Tragen des Elektrowerkzeugs den Finger am Schalter haben oder das Gerät eingeschaltet an die Stromversorgung anschließen, kann dies zu Unfällen führen.
  - d. **Entfernen Sie Einstell- oder Schraubenschlüssel, bevor Sie das Gerät einschalten.** Werkzeuge oder Schlüssel, die an rotierenden Teilen des Elektrogerätes angebracht sind, können zu Verletzungen führen.
  - e. **Beugen Sie sich nicht zu weit nach vorne. Sorgen Sie für einen sicheren Stand und halten Sie jederzeit das Gleichgewicht.** Dadurch können Sie das Elektrowerkzeug in unerwarteten Situationen besser kontrollieren.
  - f. **Tragen Sie geeignete Kleidung. Tragen Sie keine weite Kleidung und keinen Schmuck. Halten Sie Ihre Haare, Kleidung und Handschuhe von beweglichen Teilen fern.** Lose sitzende Kleidung, Schmuck oder lange Haare können sich in den beweglichen Teilen verfangen.
  - g. **Falls Vorrichtungen zum Absaugen oder Auffangen von Staub vorhanden sind, vergewissern Sie sich, dass diese angeschlossen sind und richtig verwendet**

- werden. Der Einsatz von Staubsammlern kann staubbedingte Gefahren mindern.
- h. Vermeiden Sie, durch die häufige Nutzung des Werkzeugs in einen Trott zu verfallen und Prinzipien für die Werkzeugsicherheit zu ignorieren.** Eine unachtsame Aktion kann im Bruchteil einer Sekunde zu schweren Verletzungen führen.
- 4. Gebrauch und Pflege von Elektrowerkzeugen**
- a. Überlasten Sie das Gerät nicht. Verwenden Sie das für Ihre Arbeit passende Elektrogerät.** Das richtige Gerät wird die Aufgabe besser und sicherer erledigen, wenn es bestimmungsgemäß verwendet wird.
- b. Verwenden Sie das Gerät nicht, wenn der Ein-/Ausschalter nicht funktioniert.** Ein Elektrowerkzeug, das sich nicht mehr ein- oder ausschalten lässt, ist gefährlich und muss repariert werden.
- c. Ziehen Sie den Stecker aus der Steckdose, oder trennen Sie das Gerät vom Akku, bevor Sie Einstellungen vornehmen, Zubehörteile wechseln oder das Gerät lagern.** Diese Vorbeugemaßnahmen mindern die Gefahr, dass das Elektrogerät unbeabsichtigt startet.
- d. Bewahren Sie unbenutzte Geräte außerhalb der Reichweite von Kindern auf. Lassen Sie Geräte nicht von Personen benutzen, die damit nicht vertraut sind oder diese Anweisungen nicht gelesen haben.** Elektrogeräte sind in den Händen nicht geschulter Personen gefährlich.
- e. Pflegen Sie Elektrowerkzeuge und Zubehör. Prüfen Sie, ob bewegliche Teile verzogen oder ausgeschlagen, ob Teile gebrochen oder in einem Zustand sind, der den Betrieb des Elektrogerätes beeinträchtigen kann. Bei Beschädigungen lassen Sie das Elektrogerät reparieren, bevor Sie es verwenden.** Viele Unfälle entstehen wegen mangelnder Wartung der Elektrogeräte.
- f. Halten Sie Schneidgeräte scharf und sauber.** Richtig gewartete Schneidwerkzeuge mit scharfen Klingen blockieren seltener und sind leichter unter Kontrolle zu halten.
- g. Verwenden Sie Gerät, Zubehör, Einsatz-Bits usw. entsprechend diesen Anweisungen und berücksichtigen Sie dabei die Arbeitsbedingungen und die auszuführende Arbeit.**  
Wenn Sie das Elektrogerät für Aufgaben verwenden, die nicht bestimmungsgemäß sind, kann dies zu gefährlichen Situationen führen.
- h. Halten Sie die Griffe trocken, sauber und frei von Öl und Fett. Rutschige Griffe und Oberflächen unterbinden die sichere Bedienbarkeit und Kontrolle über das Werkzeug in unerwarteten Situationen.**
- 5. Gebrauch und Pflege von Akkuwerkzeugen**
- a. Laden Sie den Akku nur mit dem vom Hersteller vorgesehenen Ladegerät auf.** Für ein Ladegerät, das nur für eine bestimmte Akkuart geeignet ist, besteht Brandgefahr, wenn es mit anderen Akkus verwendet wird.
- b. Verwenden Sie nur die für das jeweilige Gerät vorgesehenen Akkus.** Die Verwendung anderer Akkus kann zu Verletzungen oder Bränden führen.
- c. Bewahren Sie den Akku bei Nichtbenutzung nicht in der Nähe metallischer Objekte wie Büroklammern, Münzen, Schlüsseln, Nägeln oder Schrauben auf, da diese eine Verbindung zwischen beiden Polen des Akkus herstellen können.** Durch den dadurch entstehenden Kurzschluss kann der Akku in Brand geraten.
- d. Bei falscher Anwendung kann Flüssigkeit aus dem Akku austreten. Vermeiden Sie den Kontakt damit. Bei unbeabsichtigtem Kontakt mit Wasser abspülen. Gelangt die Flüssigkeit in die Augen, ziehen Sie außerdem ärztliche Hilfe hinzu. Austretende Akkufflüssigkeit kann zu Hautreizungen oder Verbrennungen führen.**
- 6. Service**
- a. Lassen Sie das Gerät nur von qualifiziertem Fachpersonal und nur mit Originalersatzteilen reparieren. Damit wird sichergestellt, dass die Sicherheit des Gerätes erhalten bleibt.**
- b. Führen Sie niemals Wartungsarbeiten an beschädigten AKKUPACKS durch. Die Wartung von AKKUPACKS darf nur vom Hersteller selbst oder autorisierten Dienstleistern durchgeführt werden.**
- Allgemeine Sicherheitswarnhinweise für Elektrowerkzeuge**
-  **Warnung!** Zusätzliche Sicherheitshinweise für Schlagschrauber
- ◆ **Tragen Sie bei der Arbeit mit Schlagbohrmaschinen einen Gehörschutz.** Lärm kann Gehörschäden verursachen.
  - ◆ **Verwenden Sie die mitgelieferten Zusatzgriffe.** Der Verlust der Kontrolle kann Verletzungen verursachen.
  - ◆ **Halten Sie das Gerät an den isolierten Griffflächen fest, wenn Sie Arbeiten ausführen, bei denen verdeckte Kabel beschädigt werden könnten.** Der Kontakt mit stromführenden Leitungen kann auch offen liegende Metallteile am Gerät unter Strom setzen und zu einem Stromschlag führen.
  - ◆ **Sichern Sie das Werkstück zum Beispiel mit Einspannvorrichtungen auf einer stabilen Plattform.** Das Werkstück ist instabil, wenn es mit der Hand oder dem Körper abgestützt wird, was zum Verlust der Kontrolle führen kann.

- ◆ Dieses Werkzeug darf nicht von Personen (einschließlich Kindern) mit eingeschränkten körperlichen, sensorischen oder geistigen Fähigkeiten oder mangelnder Erfahrung und Wissen in Bezug auf dessen Gebrauch bedient werden, es sei denn, sie werden bei der Verwendung des Geräts von einer erfahrenen Person beaufsichtigt oder angeleitet. Kinder müssen beaufsichtigt werden, um sicherzustellen, dass sie nicht mit dem Gerät spielen.
- ◆ Die bestimmungsgemäße Verwendung ist in dieser Betriebsanleitung beschrieben. Die Verwendung von Zubehör oder Anbauteilen, die nicht in dieser Anleitung empfohlen sind, sowie die Bedienung des Geräts in Abweichung von den in dieser Anleitung beschriebenen Verfahren kann zu Verletzungen und/oder Sachschäden führen.



**Warnung!** Schlagschrauber sind keine Drehmomentschrauber. Das Gerät ist nicht dazu geeignet, Verbindungselemente mit einem bestimmten Drehmoment anzuziehen. Ein unabhängiges, kalibriertes Gerät zur Messung des Drehmoments, wie z. B. ein Drehmomentschrauber, sollte verwendet werden, wenn das Verbindungselement durch Unter- oder Überschreiten der Klemmkraft beschädigt werden kann.

### Sicherheit von Anderen

- ◆ Dieses Gerät darf nicht von Personen (einschließlich Kindern) mit eingeschränkten körperlichen, sensorischen oder geistigen Fähigkeiten oder mangelnder Erfahrung und Wissen in Bezug auf dessen Gebrauch bedient werden, es sei denn, sie werden bei der Verwendung des Geräts von einer erfahrenen Person beaufsichtigt oder angeleitet.
- ◆ Kinder müssen beaufsichtigt werden, um sicherzustellen, dass sie nicht mit dem Gerät spielen.

### Restrisiken

Zusätzliche Restrisiken können auftreten, wenn das Werkzeug verwendet wird, das möglicherweise nicht in den Sicherheitswarnungen enthalten ist. Diese Risiken können aus Missbrauch, verlängerter Nutzung usw. resultieren.

Selbst unter Beachtung der geltenden Sicherheitsvorschriften und des Einsatzes von Schutzvorrichtungen können bestimmte Risiken nicht vermieden werden. Diese sind:

- ◆ Verletzungen, die durch das Berühren von sich drehenden/bewegenden Teilen verursacht werden.
- ◆ Verletzungen, die durch das Austauschen von Teilen, Messern oder Zubehör verursacht werden.
- ◆ Verletzungen, die durch längeren Gebrauch eines Geräts verursacht werden. Bei der längeren Verwendung eines Werkzeugs ist sicherzustellen, dass regelmäßige Pausen eingelegt werden.

- ◆ Schwerhörigkeit.
- ◆ Gesundheitsrisiken durch das Einatmen von Staub beim Gebrauch des Geräts (beispielsweise bei Holzarbeiten, insbesondere Eiche, Buche und Pressspan).

### Schwingung

Die in den Abschnitten „Technische Daten“ und „EU-Konformitätserklärung“ angegebenen Werte für die Vibrationsemission wurden mit einer Standard-Prüfmethode nach EN62841 ermittelt und können zum Vergleich verschiedener Geräte herangezogen werden.

Die erklärten Schwingungsemissionswerte können auch in einer vorläufigen Expositionsbewertung verwendet werden.

**Warnung!** Der Schwingungsemissionswert während der tatsächlichen Verwendung des Elektrowerkzeugs kann in Abhängigkeit von den Arten, auf die das Werkzeug verwendet wird, vom erklärten Wert abweichen. Das Schwingungsniveau kann das angegebene Niveau übersteigen.

Bei der Bewertung der Schwingungsexposition zur Festlegung der durch die Richtlinie 2002/44/EG erforderlichen Sicherheitsmaßnahmen zum Schutz von Personen, die bei ihrer Beschäftigung regelmäßig Elektrowerkzeuge verwenden, muss eine Schätzung der Schwingungsexposition die tatsächlichen Nutzungsbedingungen und die Art berücksichtigen, auf die das Werkzeug verwendet wird, einschließlich der Beachtung aller Teile des Betriebszyklus, wie die Male, die das Werkzeug ausgeschaltet wird und wenn es im Ruhemodus läuft zusätzlich zur Auslösezeit.

### Etiketten am Werkzeug

Die folgenden Bildsymbole werden zusammen mit dem Datumscode werden auf dem Werkzeug ausgewiesen:



**Warnung!** Zur Reduzierung der Verletzungsgefahr muss der Nutzer die Betriebsanleitung lesen.



Tragen Sie bei der Arbeit mit Schlagschraubern einen Gehörschutz. Belastung durch Lärm kann Gehörschäden verursachen



Starren Sie nicht auf die Betriebsleuchte

### Zusätzliche Sicherheitshinweise für Akkus und Ladegeräte

#### Akkus

- ◆ Keinesfalls versuchen, den Akku zu öffnen.
- ◆ Achten Sie darauf, dass der Akku nicht mit Wasser in Berührung kommt.
- ◆ Nicht bei Temperaturen über 40 °C lagern.
- ◆ Laden Sie den Akku nur bei Umgebungstemperaturen von 10 °C bis 40 °C.

- ◆ Verwenden Sie ausschließlich das mitgelieferte Ladegerät.
- ◆ Bei der Entsorgung von Akkus oder Batterien die Hinweise im Abschnitt „Umweltschutz“ beachten.

### Ladegeräte

- ◆ Verwenden Sie das STANLEY FATMAX-Ladegerät nur für den Akku des Werkzeugs, mit dem es geliefert wurde. Andere Akkus könnten platzen und Sachschäden oder Verletzungen verursachen.
- ◆ Versuchen Sie keinesfalls, nicht aufladbare Batterien zu laden.
- ◆ Lassen Sie beschädigte Kabel sofort austauschen.
- ◆ Achten Sie darauf, dass das Ladegerät nicht mit Wasser in Berührung kommt.
- ◆ Versuchen Sie nicht, das Ladegerät zu öffnen.
- ◆ Nehmen Sie am Ladegerät keine Veränderungen vor.



Das Ladegerät darf nur im Innenbereich verwendet werden.



Vor Gebrauch die Anleitung lesen.



Versuchen Sie nie, beschädigte Akkus aufzuladen.

### Elektrische Sicherheit



Das Ladegerät ist schutzisoliert, daher ist keine Erdleitung erforderlich. Stellen Sie sicher, dass die Netzspannung der auf dem Typenschild des Geräts angegebenen Spannung entspricht. Ersetzen Sie das Ladegerät keinesfalls durch ein normales Netzkabel.

- ◆ Ist das Netzkabel beschädigt, muss es durch den Hersteller oder eine STANLEY FATMAX Vertragswerkstatt ausgetauscht werden, um eine mögliche Gefährdung zu vermeiden.

### Merkmale

Dieses Werkzeug umfasst einige oder alle der folgenden Merkmale.

1. Drehzahl-Regelschalter
2. Vor-/Zurückwahlschalter
3. Spannutter
4. Spannutter
5. Akku
6. LED-Arbeitsleuchte

### Abb. A

7. Ladegerät
8. Ladeanzeige

### Montage

**Warnung!** Entfernen Sie vor der Montage den Akku aus dem Gerät.

### Einsetzen und Entfernen des Akkus (Abb. B)

- ◆ Um den Akku (5) einzusetzen, richten Sie ihn an der Aufnahme am Gerät aus. Schieben Sie den Akku in die Aufnahme, bis er in der richtigen Position einrastet.
- ◆ Um den Akku zu entnehmen, drücken Sie die Entriegelungstasten (5a) und schieben gleichzeitig den Akku aus der Aufnahme.

### Einsetzen und Entfernen eines Schraubendrehereinsatzes oder -futters (Abb. C)

Das Gerät verfügt über ein Schnellspannfutter zum einfachen Wechseln der Einsätze.

**Warnung!** Das Gerät muss gesperrt sein, damit keine unbeabsichtigte Bedienung des Ein-/Ausschalters vor dem Installieren bzw. Entfernen von Zubehörteilen erfolgen kann.

- ◆ Verriegeln Sie das Gerät, indem Sie den Vor-/Zurückwahlschalter (2) in die mittlere Position bewegen.
- ◆ Ziehen Sie den Bohrfutterkopf (4) nach hinten, und halten Sie diesen fest.
- ◆ Setzen Sie den Einsatz (8) in das Bohrfutter (3) ein.
- ◆ Lassen Sie den Bohrfutterkopf los. Der Einsatz sitzt fest im Bohrfutter.

**Hinweis!** Wiederholen Sie zum Entfernen des Einsatzes die oben aufgeführten Schritte.

**Warnung!** Nur Werkzeughalter für Schlagbohrarbeiten verwenden. Werkzeughalter, die nicht für Schlagbohrarbeiten vorgesehen sind, können zerbrechen und zu gefährlichen Situationen führen. Untersuchen Sie den Werkzeughalter vor der Verwendung, um sicherzustellen, dass er keine Risse aufweist.

### Verwendung

**Warnung!** Lassen Sie das Werkzeug die Geschwindigkeit selbst bestimmen. Nicht überlasten.

### Laden der Batterie (Abb. A)

Der Akku muss vor erstmaliger Benutzung und immer dann aufgeladen werden, wenn das Gerät nicht mehr die volle Leistung bringt. Während des Ladevorgangs kann der Akku warm werden. Das ist normal.

**Warnung!** Laden Sie den Akku nicht, wenn die Umgebungstemperatur unter 10 °C oder über 40 °C liegt. Empfohlene Ladetemperatur: ca. 24 °C.

**Hinweis: Ein Akku, bei dem die Temperatur der Batteriezellen unter ca. 10 °C oder über 40 °C liegt, wird vom Ladegerät nicht geladen.**

**Lassen Sie in diesem Fall den Akku im Ladegerät. Das Ladegerät beginnt automatisch mit dem Ladevorgang, sobald sich die Zellen erwärmt bzw. abgekühlt haben.**

- ◆ Setzen Sie den Akku (5) in das Ladegerät (7) ein, um

diesen zu laden. Der Akku kann nur in einer Richtung in das Ladegerät gesteckt werden. Erzwingen Sie den Arbeitsvorgang nicht. Vergewissern Sie sich, dass der Akku ordnungsgemäß im Ladegerät steckt.

- ◆ Schließen Sie das Ladegerät an eine Steckdose an, und schalten Sie die Stromversorgung ein.

Die Ladeanzeige (8) blinkt durchgängig grün (langsam).

Der Ladevorgang ist abgeschlossen, wenn die Ladeanzeige (8) dauerhaft grün leuchtet. Sie können den Akku auf unbestimmte Zeit im Ladegerät belassen. In diesem Fall leuchtet die LED-Anzeige. Die LED-Anzeige beginnt erneut, grün zu blinken (Ladezustand), wenn der Akku gelegentlich nachgeladen wird. Solange der Akku mit dem angeschlossenen Ladegerät verbunden ist, leuchtet die Ladeanzeige (8).

- ◆ Ein entladener Akku sollte innerhalb einer Woche wieder aufgeladen werden. Die Lebensdauer des Akkus sinkt drastisch, wenn dieser in entladener Zustand aufbewahrt wird.

### Belassen des Akkus im Ladegerät

Sie können den Akku auf im Ladegerät belassen. In diesem Fall leuchtet die LED-Anzeige dauerhaft. Das Ladegerät hält den Akku in einem vollständig geladenen Zustand.

### Diagnose des Ladegeräts

Wenn das Ladegerät einen schwachen oder beschädigten Akku feststellt, blinkt die Ladeanzeige (8) in schneller Folge rot. Gehen Sie folgendermaßen vor:

- ◆ Setzen Sie den Akku (5) erneut ein.
- ◆ Falls die Ladeanzeigen weiterhin in schneller Folge rot aufblinken, verwenden Sie einen anderen Akku, um herauszufinden, ob der Ladevorgang ordnungsgemäß ausgeführt wird.
- ◆ Wenn der ersetzte Akku ordnungsgemäß geladen wird, ist der ursprüngliche Akku defekt. Geben Sie diesen bei einer Vertragswerkstatt ab, damit er recycelt werden kann.
- ◆ Wenn bei dem neuen Akku dieselbe Anzeige erscheint wie bei dem ursprünglichen Akku, lassen Sie das Ladegerät von einer autorisierten Vertragswerkstatt überprüfen.

**Hinweis: Es kann bis zu 60 Minuten dauern, bis sich herausstellt, ob der Akku tatsächlich defekt ist. Wenn der Akku zu warm oder zu kalt ist, blinkt die rote LED-Anzeige abwechselnd einmal langsam und einmal schnell.**

### Auswählen der Drehrichtung (Abb. D)

Verwenden Sie zum Anziehen von Verbindungselementen die Vorwärtsdrehung (im Uhrzeigersinn). Verwenden Sie zum Entfernen von Verbindungselementen die Rückwärtsdrehung (gegen den Uhrzeigersinn).

- ◆ Drücken Sie den Vor-/Zurückwahlschalter (2) nach links, um die Vorwärtsdrehung einzustellen.
- ◆ Drücken Sie den Vor-/Zurückwahlschalter nach rechts, um die Rückwärtsdrehung einzustellen.

- ◆ Bewegen Sie den Vor-/Zurückwahlschalter in die mittlere Stellung, um das Gerät zu sperren.

### Schraub- und Setzarbeiten

- ◆ Wählen Sie den geeigneten Einsatz für die zu verwendende Schraube bzw. Mutter.
- ◆ Wählen Sie wie oben erläutert die Vorwärts- bzw. Rückwärtsdrehung aus.
- ◆ Halten Sie das Gerät in gerader Linie zum Verbindungselement.
- ◆ Prüfen Sie das Drehmoment nach dem Festziehen mit einem Drehmomentschrauber.

### LED-Arbeitsleuchte

Die LED-Arbeitsleuchte (6) wird beim Drücken des Auslösers automatisch aktiviert. Die LED-Arbeitsleuchte leuchtet, sobald der Auslöser teilweise durchgedrückt wird, bevor das Gerät anläuft.

### Hinweise für einen optimalen Gebrauch

#### Eindreihen von Schrauben

- ◆ Verwenden Sie stets Schraubendrehereinsätze der richtigen Art und Größe.
- ◆ Sollten beim Festziehen von Schrauben Schwierigkeiten auftreten, verwenden Sie etwas Spülmittel oder Seife als Schmiermittel.
- ◆ Halten Sie das Gerät und den Schraubendrehereinsatz stets in gerader Linie zur Schraube.

### Wartung

Ihr Stanley FatMax Gerät wurde im Hinblick auf eine lange Lebensdauer und einen möglichst geringen Wartungsaufwand entwickelt. Ein kontinuierlicher, zufriedenstellender Betrieb hängt von der richtigen Pflege des Gerätes und seiner regelmäßigen Reinigung ab.

Ihr Ladegerät braucht neben der normalen Reinigung keine Wartung.

**Warnung!** Entfernen Sie vor jeglichen Wartungsarbeiten am Gerät den Akku aus dem Gerät.

Ziehen Sie das Ladegerät aus der Netzsteckdose, bevor Sie es reinigen.

- ◆ Reinigen Sie regelmäßig die Lüftungsschlitze des Gerätes und des Ladegeräts mit einer weichen Bürste oder einem trockenen Tuch.
- ◆ Reinigen Sie das Motorgehäuse regelmäßig mit einem feuchten Tuch. Verwenden Sie keine scheuerndes oder lösungsmittelbasiertes Reinigungsmittel.
- ◆ Öffnen Sie regelmäßig das Bohrfutter, und entfernen Sie durch Klopfen Staub aus dem Inneren des Gerätes.

### Umweltschutz



Abfalltrennung. Produkte und Akkus mit diesem Symbol dürfen nicht mit dem normalen Hausmüll entsorgt werden.

Produkte und Batterien enthalten Materialien, die zurückgewonnen oder recycelt werden können und die Nachfrage nach Rohstoffen reduzieren.

Bitte recyceln Sie Elektroprodukte und Batterien gemäß den lokalen Bestimmungen. Weitere Informationen finden Sie auf [www.2helpU.com](http://www.2helpU.com)

## Technische Daten

		FMC041
Spannung	$V_{DC}$	10,8
Leerlaufdrehzahl	$\text{Min}^{-1}$	0-2500
Schlagzahl	Schläge pro Minute	0 - 3400
Max. Drehmoment(PTI-Methode)	Nm	110
Bohrfutterspannweite	mm	6 (Sechskant)
Gewicht	kg	1,0

Ladegerät		N472239/N472243
Eingangsspannung	$V_{AC}$	230
Ausgangsspannung	$V_{DC}$	22
Stromstärke	A	1,25
Ungefähre Ladezeit	Min.	70 (1,5Ah)

Akku		FMC086L
Spannung	$V_{DC}$	10,8
Kapazität	Ah	1,5
Typ		Li-Ion

Schalldruckpegel gemäß EN 62841:
Schalldruck ( $L_{pA}$ ) 91,5 dB(A), Unsicherheitsfaktor (K) 5 dB(A)
Schalleistung ( $L_{WA}$ ) 102,5 dB(A), Unsicherheitsfaktor (K) 5 dB(A)

Gesamtvibration (Triax-Vektorsumme) gemäß EN 62841:
Befestigen mit Schlagbohrfunktion ( $a_{h,}$ ) 12,9 $\text{m/s}^2$ , Unsicherheitsfaktor (K) 1,5 $\text{m/s}^2$

## EG-Konformitätserklärung

MASCHINENRICHTLINIE



Akku-Schlagschrauber - FMC041

Stanley Europe erklärt, dass diese unter "Technische Daten" beschriebenen Geräte übereinstimmen mit:

2006/42/EC, EN62841-1:2015, EN62841-2-2:2014 entsprechen.

Diese Produkte erfüllen auch die Richtlinie 2014/30/EU und 2011/65/EU.

Weitere Informationen erhalten Sie von Stanley FatMax unter der folgenden Adresse. Diese befindet sich auch auf der Rückseite dieser Anleitung.

Der Unterzeichnete ist verantwortlich für die Zusammenstellung des technischen Dossiers und gibt diese Erklärung im Namen von Stanley Europe ab.

*Patrick Diepenbach*

Patrick Diepenbach  
General Manager, Benelux  
Stanley FatMax,  
Egide Walschaertsstraat 14-18  
2800 Mechelen, Belgien  
27/07/2020

## Garantie

Stanley FatMax vertraut auf die Qualität der eigenen Geräte und bietet dem Käufer eine außergewöhnliche Garantie von 12 Monaten ab Kaufdatum. Diese Garantie ist ergänzend und beeinträchtigt keinesfalls ihre gesetzlichen Ansprüche. Diese Garantie gilt innerhalb der Staatsgebiete der Mitgliedstaaten der Europäischen Union und der Europäischen Freihandelszone.

Zur Inanspruchnahme dieser Garantie muss sie den allgemeinen Geschäftsbedingungen von Stanley FatMax entsprechen und dem Verkäufer bzw. der Vertragswerkstatt ist ein Kaufnachweis vorzulegen. Die Bedingungen für die 1-jährige Garantie von Stanley FatMax und den Standort Ihrer nächstgelegenen Vertragswerkstatt finden Sie im Internet unter [www.2helpU.com](http://www.2helpU.com) oder indem Sie sich an die lokale Stanley FatMax-Niederlassung wenden, deren Adresse Sie in dieser Anleitung finden.

Auf unserer Website unter [www.blackanddecker.de](http://www.blackanddecker.de) können Sie Ihr neues Stanley Fat Max-Produkt registrieren. Dort erhalten Sie auch Informationen über neue Produkte und Sonderangebote.



## Utilisation prévue

Votre visseuse à chocs Stanley Fat Max FMC041 a été spécialement conçue pour les travaux de vissage de vis et d'écrous. Cet outil a été conçu pour les professionnels et les particuliers.

## Consignes de sécurité

### Avertissements de sécurité générale propres aux outils électriques



**Avertissement !** Veuillez lire tous les avertissements sur la sécurité, toutes les instructions, toutes les illustrations et toutes les spécifications fournies avec cet outil électrique. Le non-respect des avertissements et des instructions listés ci-dessous peut entraîner des décharges électriques, des incendies et/ou de graves blessures.

Conservez tous les avertissements et toutes les instructions afin de pouvoir vous y référer dans le futur. Le terme "outil électrique" mentionné dans tous les avertissements listés ci-dessous fait référence à vos outils électriques branchés sur secteur (avec câble) ou fonctionnant sur pile ou batterie (sans fil).

#### 1. Sécurité de la zone de travail

- a. **Maintenez la zone de travail propre et bien éclairée.**  
Les zones sombres ou encombrées sont propices aux accidents.
- b. **N'utilisez pas d'outils électriques dans un environnement présentant des risques d'explosion ou en présence de liquides, gaz ou poussières inflammables.** Les outils électriques créent des étincelles qui peuvent enflammer les poussières et les fumées.
- c. **Maintenez les enfants et les autres personnes à l'écart quand vous utilisez un outil électrique.** Toute distraction peut vous faire perdre le contrôle de l'outil.

#### 2. Sécurité électrique


- a. **Les prises des outils électriques doivent correspondre à la prise de courant murale. Ne modifiez jamais la prise d'aucune sorte.**  
N'utilisez aucun adaptateur avec des outils électriques reliés à la terre. L'utilisation de prises d'origine et de prises murales appropriées permet de réduire le risque de décharge électrique.
- b. **Évitez tout contact physique avec des surfaces reliées à la terre comme des tuyaux, des radiateurs, des fours et des réfrigérateurs par exemple.** Il y a sinon un risque accru de décharge électrique si votre corps est lui-même relié à la terre.

- c. **N'exposez pas les outils électriques à la pluie, ni à l'humidité.** Le risque de décharge électrique augmente si de l'eau pénètre dans un outil électrique.
- d. **Ne tirez pas sur le cordon d'alimentation. N'utilisez jamais le cordon pour transporter, tirer ou débrancher l'outil électrique. Maintenez le cordon à l'écart de la chaleur, des substances grasses, des bords tranchants ou des pièces mobiles.** Les cordons endommagés ou emmêlés augmentent les risques de décharges électriques.
- e. **Si vous utilisez un outil électrique à l'extérieur, utilisez une rallonge homologuée pour les travaux en extérieur.** L'utilisation d'une rallonge électrique homologuée pour les travaux en extérieur réduit le risque de décharge électrique.
- f. Si l'utilisation d'un outil électrique dans un endroit humide est inévitable, utilisez une alimentation électrique protégée par un disjoncteur différentiel à courant résiduel (DDR). L'utilisation d'un DDR réduit le risque de décharge électrique.

#### 3. Sécurité des personnes

- a. **Restez vigilant, surveillez ce que vous faites et faites preuve de bon sens lorsque vous utilisez un outil électrique.**  
N'utilisez pas d'outils électriques si vous êtes fatigué ou sous l'influence de drogue, d'alcool ou de médicaments. Tout moment d'inattention pendant l'utilisation d'un outil électrique peut engendrer de graves blessures.
- b. **Portez des équipements de protection individuelle. Portez toujours une protection oculaire.** Les équipements de protection comme les masques à poussière, les chaussures de sécurité antidérapantes, les casques ou les protections auditives réduisent le risque de blessures s'ils sont utilisés à bon escient.
- c. **Empêchez tout démarrage intempestif. Veuillez à ce l'interrupteur soit sur la position Arrêt avant de raccorder l'outil à l'alimentation électrique et/ou au bloc-batterie ou avant de ramasser ou de transporter l'outil.** Le fait de transporter les outils électriques le doigt sur l'interrupteur est déjà en position de marche augmente le risque d'accidents.
- d. **Retirez toutes les clés ou pinces de réglage avant de mettre l'outil en marche.** Une clé ou une pince restée fixée sur une pièce rotative de l'outil électrique peut engendrer des blessures.
- e. **Ne vous penchez pas. Gardez les pieds bien ancrés au sol et conservez votre équilibre en permanence.** Cela permet de mieux maîtriser l'outil électrique en cas de situations imprévues.



- f. **Portez des vêtements appropriés. Ne portez aucuns vêtements amples, ni bijoux. Gardez vos cheveux, vos vêtements et vos gants éloignés des pièces mobiles.** Les vêtements amples, les bijoux ou les cheveux longs peuvent être happés par les pièces mobiles.
- g. **Si vous disposez de dispositifs pour le raccordement d'un extracteur de poussière ou d'installations pour la récupération, assurez-vous qu'ils sont correctement raccordés et utilisés.** L'utilisation de dispositifs récupérateurs de poussières réduit les risques liés aux poussières.
- h. **Ne pensez pas être familiarisé avec l'outil après l'avoir utilisé à de nombreuses reprises, au point de ne plus rester vigilant et d'en oublier les consignes de sécurité.** Toute action imprudente peut engendrer de graves blessures en une fraction de seconde.
4. **Utiliser et entretenir un outil électrique**
- a. **Respectez la capacité de l'outil. Utilisez l'outil approprié, adapté pour le travail à réaliser.** Un outil adapté fonctionne mieux, de façon plus sûre et à la cadence pour laquelle il a été conçu.
- b. **N'utilisez pas l'outil électrique si son interrupteur ne permet pas de l'allumer ou de l'éteindre.** Tout outil électrique qui ne peut plus être commandé par son interrupteur est dangereux et il doit être réparé.
- c. **Débranchez la prise de la source d'alimentation et/ou retirez le bloc-batterie de l'outil électrique avant d'effectuer des réglages, de changer un accessoire ou de ranger les outils électriques.** Ces mesures de sécurité préventives réduisent le risque de démarrage accidentel de l'outil électrique.
- d. **Rangez les outils électriques non utilisés hors de portée des enfants et ne laissez aucune personne ne connaissant pas ces outils ou leurs instructions d'utilisation les faire fonctionner.** Les outils électriques peuvent être dangereux entre des mains inexpérimentées.
- e. **Entretenez vos outils électriques et leurs accessoires. Vérifiez que les pièces mobiles sont alignées correctement et qu'elles ne sont pas coincées. Vérifiez qu'aucune pièce n'est cassée et contrôlez l'absence de toute autre condition qui pourrait nuire au bon fonctionnement de l'outil. En cas de dommage, faites réparer l'outil électrique avant de le réutiliser.** De nombreux accidents sont provoqués par des outils électriques mal entretenus.
- f. **Maintenez les organes de coupe affûtés et propres.** Des organes de coupe bien entretenus et dont le tranchant est affûté sont moins susceptibles de rester coincés et ils sont plus faciles à contrôler.
- g. **Utilisez l'outil électrique, les accessoires et les embouts d'outils conformément à ces instructions, en**
- tenant compte des conditions de travail et de la tâche à effectuer.** L'utilisation d'un outil électrique à d'autres fins que celles pour lesquelles il a été prévu peut entraîner des situations dangereuses.
- h. **Veillez à ce que les poignées et les surfaces de préhension soient sèches et propres, sans trace d'huile ou de graisse. Des poignées et des surfaces de préhension glissantes ne permettent pas de manipuler et de maîtriser l'outil correctement en cas de situations inattendues.**
5. **Utiliser et entretenir un outil fonctionnant sur batterie**
- a. **N'effectuez la recharge qu'à l'aide du chargeur spécifié par le fabricant.** Un chargeur adapté pour un type de bloc-batterie peut engendrer un risque d'incendie s'il est utilisé avec un bloc-batterie différent.
- b. **N'utilisez les outils électriques qu'avec les blocs-batteries qui leur sont dédiés.** L'utilisation d'autres blocs-batteries peut créer un risque de blessures et d'incendie.
- c. **Lorsque le bloc-batterie n'est pas utilisé, éloignez-le des objets en métal comme les trombones, les pièces de monnaies, les clés, les clous, les vis ou d'autres petits objets métalliques qui pourraient créer un contact entre les deux bornes.** La mise en court-circuit des bornes d'une batterie peut provoquer des brûlures ou un incendie.
- d. **Dans des conditions extrêmes, du liquide peut être éjecté de la batterie. Évitez tout contact avec ce liquide. En cas de contact accidentel, rincez à l'eau. En cas de contact avec les yeux, consultez en plus un médecin.** Le liquide sortant de la batterie peut provoquer des irritations ou des brûlures.
6. **Révision/Réparation**
- a. **Ne faites réviser/réparer votre outil électrique que par un réparateur qualifié qui n'utilise que des pièces de rechange d'origine. Cela permet de garantir la sûreté de l'outil électrique.**
- b. **Ne réparez jamais des blocs-batteries endommagés. Les réparations sur les blocs-BATTERIES ne doivent être effectuées que par le fabricant ou l'un de ses prestataires de services agréés.**
- Avertissements supplémentaires liés à la sécurité, propres aux outils électriques**
-  **Avertissement !** Consignes de sécurité supplémentaires concernant les visseuses à chocs
- ◆ **Portez des protections en cas de perçage avec impact.** L'exposition au bruit peut provoquer la perte de l'ouïe.
  - ◆ **Utilisez les poignées auxiliaires fournies avec l'outil.** La perte de contrôle peut provoquer des blessures.

- ◆ **Tenez l'outil électrique par ses surfaces de préhension isolées lorsque vous réalisez une opération au cours de laquelle la fixation pourrait entrer en contact avec des fils électriques cachés.** Tout contact d'une fixation avec un fil sous tension peut mettre les parties métalliques exposées de l'outil sous tension et provoquer un choc électrique à l'utilisateur.
- ◆ Utilisez des pinces ou tout autre moyen pratique pour fixer et soutenir l'ouvrage sur une plateforme stable. Tenir l'ouvrage à la main ou contre votre corps le rend instable et peut conduire à une perte de contrôle.
- ◆ Cet outil n'est pas conçu pour être utilisé par des personnes (y compris des enfants) aux capacités physiques, sensorielles ou intellectuelles réduites ou sans expérience ni connaissances, à moins qu'elles ne soient surveillées ou qu'elles n'aient été formées sur la façon sûre d'utiliser l'appareil, par une personne responsable de leur sécurité. Les enfants doivent être surveillés pour garantir qu'ils ne jouent pas avec l'appareil.
- ◆ L'utilisation prévue est décrite dans ce manuel d'utilisation. L'utilisation d'un accessoire ou d'un équipement non spécifié ou l'utilisation de cet outil à d'autres fins que celles recommandées dans la présente notice d'utilisation présentent un risque de blessures et/ou de dommages matériels.



**Avertissement !** Les visseuses à chocs ne sont pas des clés dynamométriques. N'utilisez pas cet outil pour serrer des fixations à un couple précis. Un autre appareil, tel qu'une clé dynamométrique doit être utilisé si le serrage des fixations n'est pas satisfaisant et risque d'endommager le joint.

### Sécurité des personnes

- ◆ Cet appareil n'est pas conçu pour être utilisé par des personnes (y compris des enfants) aux capacités physiques, sensorielles ou intellectuelles réduites ou sans expérience ni connaissances, à moins qu'elles ne soient supervisées ou qu'elles n'aient été formées sur la façon d'utiliser l'appareil, par une personne responsable de leur sécurité.
- ◆ Les enfants doivent être surveillés pour garantir qu'ils ne jouent pas avec l'appareil.

### Risques résiduels

Certains risques résiduels autres que ceux mentionnés dans les avertissements sur la sécurité peuvent survenir en utilisant l'outil. Ces risques peuvent être dus à une utilisation incorrecte, une utilisation prolongée, etc.

Malgré le respect de toutes les réglementations pertinentes sur la sécurité et la mise en œuvre de dispositifs de sécurité, certains risques résiduels ne peuvent pas être évités. Ils comprennent :

- ◆ Les blessures dues au contact avec des pièces mobiles/ en rotation.
- ◆ Les blessures dues au changement de pièces, de lames ou d'accessoires.
- ◆ Les blessures dues à l'utilisation prolongée d'un outil. Lorsque vous utilisez un outil quel qu'il soit pendant de longues périodes, veillez à faire des pauses régulières.
- ◆ Les troubles de l'ouïe.
- ◆ Les risques pour la santé dus à l'inhalation des poussières émises pendant l'utilisation de l'outil (exemple : travail avec du bois, surtout le chêne, le hêtre et les panneaux en MDF).

### Vibrations

La valeur des émissions de vibrations déclarée dans les caractéristiques techniques et la déclaration de conformité a été mesurée conformément à la méthode de test normalisée établie par la norme EN62841 et peut être utilisée pour comparer un outil à un autre.

La valeur des vibrations émises déclarée peut aussi être utilisée pour une évaluation préliminaire à l'exposition.

**Avertissement !** En fonction de la manière dont l'outil est utilisé, la valeur réelle des vibrations émises pendant son utilisation peut différer de la valeur déclarée. Le niveau des vibrations peut dépasser le niveau déclaré.

Quand l'exposition aux vibrations est évaluée afin de déterminer les mesures de sécurité requises par la norme 2002/44/CE pour protéger les personnes utilisant régulièrement des outils électriques, l'estimation de l'exposition aux vibrations doit tenir compte des conditions réelles d'utilisation et de la façon dont l'outil est utilisé. Il faut également tenir compte de toutes les composantes du cycle de fonctionnement comme les durées pendant lesquelles l'outil est éteint et quand il fonctionne au ralenti, en plus de la durée de déclenchement.

### Étiquettes apposées sur l'outil

Les pictogrammes suivants ainsi que le code date sont apposés sur l'outil :



**Avertissement !** Afin de réduire le risque de blessures, l'utilisateur doit lire la notice d'utilisation.



Portez des protections en cas de perçage avec impact. L'exposition au bruit peut occasionner une perte de l'ouïe



Ne regardez pas directement la lampe allumée

### Consignes de sécurité supplémentaires propres aux batteries et aux chargeurs

#### Batteries

- ◆ Ne tentez de les ouvrir sous aucun prétexte.

- ◆ N'exposez pas la batterie à l'eau.
- ◆ Ne la rangez pas dans des endroits où la température peut dépasser 40 °C.
- ◆ Ne procédez à la charge qu'à une température ambiante comprise entre 10 °C et 40 °C.
- ◆ N'utilisez que le chargeur fourni avec l'outil.
- ◆ Pour la mise au rebut des batteries, respectez les instructions mentionnées à la section "Protection de l'environnement".

## Chargeurs

- ◆ N'utilisez votre chargeur STANLEY FAT MAX que pour recharger la batterie fournie avec l'outil. Les autres batteries pourraient exploser et entraîner des blessures et des dommages.
- ◆ Ne tentez jamais de recharger des piles non rechargeables.
- ◆ Faites immédiatement remplacer les cordons endommagés.
- ◆ N'exposez pas le chargeur à l'eau.
- ◆ N'ouvrez pas le chargeur.
- ◆ Ne sondez pas le chargeur.



Le chargeur est conçu pour être exclusivement utilisé à l'intérieur.



Lisez la notice d'utilisation avant de l'utiliser.



N'essayez pas de recharger des batteries endommagées.

## Sécurité électrique

Votre chargeur dispose d'une double isolation, aucune liaison à la terre n'est donc



nécessaire. Vérifiez toujours que la tension du réseau électrique correspond à la tension mentionnée sur la plaque signalétique.

N'essayez jamais de remplacer le module de charge par une prise de courant ordinaire.

- ◆ Si le câble d'alimentation est endommagé, il doit être remplacé par le fabricant ou par un prestataire de services agréé STANLEY FAT MAX afin d'éviter les risques éventuels

## Caractéristiques

Cet outil dispose de tout ou partie des éléments suivants.

1. Interrupteur variateur de vitesse
2. Curseur de réglage du sens de rotation
3. Mandrin
4. Bague du mandrin
5. Batterie
6. Éclairage de travail à LED

## Fig. A

7. Chargeur
8. Témoin de charge

## Assemblage

**Avertissement !** Avant l'assemblage, retirez la batterie de l'outil.

### Installer et retirer la batterie (Fig. B)

- ◆ Pour installer la batterie (5), alignez-la dans le compartiment de l'outil. Glissez la batterie dans le compartiment et poussez-la jusqu'à ce qu'elle s'enclenche en place.
- ◆ Pour retirer la batterie, enfoncez les boutons de libération (5a) tout en tirant, en même temps, la batterie hors du compartiment.

### Installer et retirer un embout de tournevis ou une douille (Fig. C)

Cet outil est équipé d'un mandrin à libération rapide qui facilite le remplacement des embouts.

**Avertissement !** Avant d'installer ou de retirer un accessoire, assurez-vous que l'outil est verrouillé afin d'éviter l'actionnement de l'interrupteur.

- ◆ Pour verrouiller l'outil, placez le curseur de sélection du sens de rotation (2) au centre.
- ◆ Tirez et maintenez la bague du mandrin (4) vers l'arrière de l'outil.
- ◆ Insérez la tige de l'embout (8) dans le mandrin (3).
- ◆ Relâchez la bague. L'accessoire se verrouille en place.

**Remarque !** Pour retirer l'embout/la douille, répétez les étapes ci-dessus.

**Avertissement !** N'utilisez que des douilles à choc. Les autres douilles peuvent casser et engendrer des situations dangereuses. Vérifiez l'absence de fissure sur la douille avant de l'utiliser.

## Utiliser la machine

**Avertissement !** Laissez l'outil fonctionner à son propre rythme. Ne le poussez pas au-delà de sa capacité.

### Recharger la batterie (Fig. A)

La batterie doit être rechargée avant la première utilisation et chaque fois qu'elle n'apporte plus assez de puissance pour les travaux réalisés sans peine auparavant. La batterie peut devenir chaude pendant la charge. Ce phénomène est normal et n'indique pas un problème.

**Avertissement !** Ne rechargez pas la batterie à une température ambiante inférieure à 10 °C ou supérieure à 40 °C. La température recommandée est d'environ 24 °C.

**Remarque :** Le chargeur ne recharge pas la batterie si la température de la cellule est inférieure à environ 10 °C ou supérieure à 40 °C.

La batterie doit rester dans le chargeur et le chargeur commence automatiquement la charge dès que la température de la cellule remonte ou redescend.

- ◆ Pour recharger la batterie (5), insérez-la dans le chargeur (7). La batterie ne peut être insérée dans le chargeur que d'un sens. Ne forcez pas. Veillez à ce que la batterie soit correctement installée dans le chargeur.
- ◆ Branchez le chargeur et allumez-le.

Le témoin de charge (8) clignote vert en continu (lentement). La charge est terminée quand le témoin de charge (8) reste allumé vert en fixe. La batterie peut rester dans le chargeur indéfiniment avec la LED allumée. Le voyant se met à clignoter en vert (mode Charge) si le chargeur détecte qu'il faut compléter la charge de la batterie. Le témoin de charge (8) reste allumé tant que la batterie est raccordée au chargeur branché.

- ◆ Veillez à recharger les batteries dans un délai d'une semaine. La durée de vie de la batterie est considérablement diminuée si elle est stockée déchargée.

### Laisser la batterie dans le chargeur

Le chargeur et le bloc-batterie peuvent rester raccordés avec le voyant allumé en continu. Le chargeur maintient le bloc-batterie complètement chargé.

### Diagnostique du chargeur

Si le chargeur détecte que la batterie est faible ou endommagée, le témoin de charge (8) clignote rapidement rouge. Procédez comme suit :

- ◆ Réinsérez la batterie (5).
- ◆ Si le voyant de charge clignote toujours rapidement en rouge, utilisez une autre batterie pour vérifier si la procédure de charge fonctionne correctement.
- ◆ Si la nouvelle batterie se recharge correctement, cela indique que la batterie d'origine est défectueuse et qu'elle doit être renvoyée dans un centre d'assistance pour y être recyclée.
- ◆ Si la nouvelle batterie réagit de la même manière que la batterie d'origine, cela indique que le chargeur doit être testé dans un centre d'assistance agréé.

**Remarque : La détection de la défaillance de la batterie peut prendre jusqu'à 60 minutes. Si la batterie est trop chaude ou trop froide, la LED clignote rouge, une fois rapidement puis une fois lentement.**

### Sélectionner le sens de rotation (Fig. D)

Pour serrer, utilisez le sens de rotation avant (dans le sens des aiguilles d'une montre). Pour desserrer, utilisez le sens de rotation arrière (dans le sens inverse des aiguilles d'une montre).

- ◆ Pour sélectionner le sens de rotation avant, poussez le curseur de réglage du sens de rotation (2) vers la gauche.
- ◆ Pour sélectionner le sens de rotation inverse, poussez le curseur de réglage du sens de rotation vers la droite.
- ◆ Pour verrouiller l'outil, placez le curseur de sélection du sens de rotation au centre.

### Visser/dévisser une vis/un écrou

- ◆ Choisissez le bon embout/la bonne douille en fonction de la vis ou de l'écrou.
- ◆ Sélectionnez le bon sens de rotation comme décrit ci-dessus.
- ◆ Tenez l'outil dans l'alignement de la fixation.
- ◆ Après le serrage, contrôlez le couple avec une clé dynamométrique.

### Éclairage de travail à LED

L'éclairage de travail (6) s'allume automatiquement lorsque la gâchette est enfoncée. Il s'allume quand la gâchette est enfoncée à mi-course, avant que l'outil ne commence à tourner.

### Conseils pour une utilisation optimale

#### Vissage/Dévisage

- ◆ Choisissez toujours un embout de tournevis de type et de taille appropriés.
- ◆ Si les vis sont difficiles à visser, enduisez-les d'une petite quantité de liquide vaisselle ou de savon comme lubrifiant.
- ◆ Alignez toujours l'outil et l'embout de tournevis avec la vis.

### Maintenance

Votre outil Stanley Fat Max a été conçu pour fonctionner longtemps avec un minimum d'entretien. Le fonctionnement continu et satisfaisant de l'outil dépend de son bon entretien et de son nettoyage régulier.

Votre chargeur ne nécessite aucun entretien particulier, à l'exception d'un nettoyage régulier.

**Avertissement !** Avant de réaliser toute tâche de maintenance sur l'outil, retirez-en la batterie.

Débranchez le chargeur avant de le nettoyer.

- ◆ Nettoyez régulièrement les orifices d'aération de l'outil et du chargeur à l'aide d'une brosse souple ou d'un chiffon sec.
- ◆ Nettoyez régulièrement le bloc-moteur à l'aide d'un chiffon humide. N'utilisez pas de détergents abrasifs ou à base de solvants.
- ◆ Ouvrez régulièrement le mandrin et tapotez dessus pour éliminer la poussière accumulée à l'intérieur.

### Protection de l'environnement



Tri sélectif. Les produits et piles/batteries marqués de ce symbole ne doivent pas être jetés avec les déchets ménagers.

Les produits et les piles/batteries contiennent des matières qui peuvent être récupérées et recyclées afin de réduire la demande en matières premières.

Veillez à recycler les produits électriques et les piles/batteries conformément aux prescriptions locales en vigueur. Plus d'informations sont disponibles sur le site [www.2helpU.com](http://www.2helpU.com)

## Caractéristiques techniques

		FMC041
Tension	$V_{cc}$	10,8
Vitesse à vide	$\text{Min}^{-1}$	0-2500
Impacts	IPM	0 - 3400
Couple maxi(Méthode PTI)	Nm	110
Capacité du mandrin	mm	6 (Hex)
Poids	kg	1,0

Chargeur		N472239/N472243
Tension d'entrée	$V_{ca}$	230
Tension de sortie	$V_{cc}$	22
Courant	A	1,25
Durée de charge approx.	min	70 (1,5 AH)

Batterie		FMC086L
Tension	$V_{cc}$	10,8
Capacité	Ah	1,5
Type		Li-Ion

Niveau de pression sonore selon la norme EN 62841 :	
Pression sonore ( $L_{pA}$ )	91,5 dB(A), incertitude (K) 5 dB(A)
Puissance sonore ( $L_{WA}$ )	102,5 dB(A), incertitude (K) 5 dB(A)

Valeurs totales des vibrations (somme vectorielle triaxiale) selon la norme EN 62841 :	
Vissage avec impact ( $a_{h,s}$ )	12,9 $\text{m/s}^2$ , incertitude (K) 1,5 $\text{m/s}^2$

Le soussigné est responsable de la compilation du dossier technique et fait cette déclaration au nom de Stanley Europe.

*Patrick Diepenbach*

Patrick Diepenbach  
General Manager, Benelux  
Stanley Fat Max,  
Egide Walschaertsstraat 14-18  
2800 Mechelen, Belgique  
27/07/2020

## Garantie

Stanley Fat Max est sûr de la qualité de ses produits et offre une garantie de 12 mois aux utilisateurs, à partir de la date d'achat. Cette garantie s'ajoute à vos droits légaux auxquels elle ne porte aucunement préjudice. Cette garantie est valable au sein des territoires des états membres de l'Union européenne et au sein de la zone européenne de libre-échange.

Pour prétendre à la garantie, la réclamation doit être en conformité avec les conditions générales de Stanley Fat Max et vous devez fournir une preuve d'achat au vendeur ou au réparateur agréé. Les conditions générales de la garantie de 1 an Stanley Fat Max ainsi que l'adresse du réparateur agréé le plus proche sont disponibles sur le site Internet [www.2helpU.com](http://www.2helpU.com) ou en contactant votre agence Stanley Fat Max locale à l'adresse indiquée dans la présente notice.

Accédez à notre site Internet [www.blackanddecker.co.uk](http://www.blackanddecker.co.uk) pour enregistrer votre nouveau produit Stanley Fat Max et être informé des nouveaux produits et des offres spéciales.

## Déclaration de conformité CE

DIRECTIVES MACHINES



Visseuse à chocs sans fil - FMC041

Stanley Europe confirme que les produits décrits dans les « Données techniques » sont conformes aux normes :

2006/42/CE, EN62841-1:2015, EN62841-2-2:2014.

Ces produits sont également conformes aux Directives 2014/30/UE et 2011/65/UE.

Pour obtenir plus de précisions, contactez Stanley Fat Max à l'adresse qui suit ou vous consultez la dernière page de la notice.

## Uso previsto

L'avvitatore battente Stanley Fat Max FMC041 è stato progettato per avvitare e per applicazioni di taratura dei dadi. Questo elettrotensile è stato progettato per uso professionale e privato e per utilizzatori non professionisti.

## Istruzioni di sicurezza

### Avvertenze di sicurezza generali degli elettrotensili



**Avvertenza! Leggere tutte le avvertenze, istruzioni, illustrazioni e specifiche fornite con questo elettrotensile.** La mancata osservazione dei presenti avvisi e istruzioni potrebbe causare scosse elettriche, incendi e/o infortuni gravi.

**Conservare tutte le avvertenze e le istruzioni per riferimenti futuri.** Il termine "elettrotensile" utilizzato nelle avvertenze fa riferimento sia agli apparecchi alimentati a corrente (con cavo elettrico), sia a quelli a batteria (senza cavo).

#### 1. Sicurezza dell'area di lavoro

- a. **Mantenere pulita e bene illuminata l'area di lavoro.** Gli ambienti disordinati o scarsamente illuminati favoriscono gli incidenti.
- b. **Evitare di usare gli elettrotensili in ambienti esposti a rischio di esplosione, ad esempio in presenza di liquidi, gas o polveri infiammabili.** Gli apparecchi elettrici generano scintille che possono incendiare le polveri o i fumi.
- c. **Tenere lontani bambini e astanti mentre si usa un elettrotensile.** Eventuali distrazioni possono provocare la perdita di controllo dell'elettrotensile.

#### 2. Sicurezza elettrica

- a. **Le spine elettriche degli elettrotensili devono essere adatte alla presa. Non modificare la spina in alcun modo.**  
**Non usare spine con adattatore con gli elettrotensili dotati di messa a terra.** Per ridurre il rischio di scossa elettrica evitare di modificare le spine e utilizzare sempre le prese appropriate.
- b. **Evitare il contatto fisico con superfici collegate a terra, tipo tubi, radiatori, forni e frigoriferi.** Se il corpo dell'utilizzatore è collegato a terra, il rischio di scossa elettrica aumenta.
- c. **Custodire gli elettrotensili al riparo dalla pioggia o dall'umidità.** Se dovesse penetrare dell'acqua all'interno dell'elettrotensile, il rischio di scossa elettrica aumenta.
- d. **Non utilizzare il cavo in modo improprio. Non spostare, tirare o scollegare mai l'elettrotensile dalla presa di corrente tirandolo dal cavo. Tenere il cavo di alimentazione lontano da fonti di calore, olio, bordi**

**taglienti o parti in movimento.** Se il cavo è danneggiato o impigliato, il rischio di scossa elettrica aumenta.

- e. **Se l'elettrotensile viene adoperato all'aperto, usare esclusivamente prolunghe omologate per l'impiego all'esterno.** L'uso di un cavo di alimentazione adatto per esterni riduce il rischio di scossa elettrica.
  - f. Se non è possibile evitare di lavorare in una zona umida, usare un'alimentazione elettrica protetta da un dispositivo a corrente residua (RCD). L'uso di un RCD salvavita riduce il rischio di scossa elettrica.
- ### 3. Sicurezza personale
- a. **È importante concentrarsi su ciò che si sta facendo e maneggiare con giudizio l'elettrotensile. Non utilizzare l'elettrotensile quando si è stanchi o sotto l'effetto di sostanze stupefacenti, alcool o medicinali.** Un solo attimo di distrazione durante l'uso di tale elettrotensile potrebbe provocare gravi lesioni personali.
  - b. **Usare l'equipaggiamento di protezione personale. Indossare sempre occhiali di protezione.** L'uso di dispositivi di protezione, quali mascherine antipolvere, scarpe antinfortunistiche antiscivolo, caschi di sicurezza o protezioni uditive, in condizioni opportune consente di ridurre le lesioni personali.
  - c. **Impedire l'avviamento involontario. Accertarsi che l'interruttore sia nella posizione di spegnimento, prima di collegare l'elettrotensile alla rete elettrica e/o alla batteria, di prenderlo in mano o di trasportarlo.** Per non esporsi al rischio di incidenti, non trasportare l'elettrotensile tenendo le dita sull'interruttore e non collegarlo a una fonte di alimentazione elettrica con l'interruttore e in posizione di accensione.
  - d. **Prima di accendere un elettrotensile, togliere eventuali utensili o chiavi di regolazione.** Un utensile di regolazione o una chiave attaccati a una parte rotante dell'elettrotensile possono provocare lesioni personali.
  - e. **Non sbilanciarsi. Mantenere sempre un appoggio e un equilibrio adeguati.** In tal modo è possibile mantenere un migliore controllo dell'elettrotensile nelle situazioni impreviste.
  - f. **Vestirsi adeguatamente. Non indossare abiti larghi o gioielli. Tenere i capelli, i vestiti e i guanti lontano dalle parti mobili.** Abiti larghi, gioielli o capelli lunghi possono impigliarsi nelle parti in movimento.
  - g. **Se gli elettrotensili sono provvisti di attacchi per il collegamento di dispositivi di aspirazione o di raccolta della polvere, assicurarsi che questi siano installati e utilizzati correttamente.** L'impiego di dispositivi per la raccolta delle polveri può ridurre i pericoli legati a queste ultime.
  - h. **Non lasciare che la familiarità acquisita dall'uso frequente degli elettrotensili induca a cedere alla**



**tentazione di ignorare i principi di utilizzo sicuro degli stessi.** Un'azione imprudente potrebbe provocare lesioni gravi in una frazione di secondo.

#### 4. Utilizzo e cura degli elettrodomestici

- a. **Non sovraccaricare l'elettrodomestico. Utilizzare l'elettrodomestico adatto per il lavoro da eseguire.** L'elettrodomestico corretto funziona meglio e in modo più sicuro se utilizzato alla velocità per cui è stato progettato.
- b. **Non utilizzare l'elettrodomestico se l'interruttore di accensione/spengimento è difettoso.** Qualsiasi elettrodomestico che non possa essere controllato tramite l'interruttore è pericoloso e deve essere riparato.
- c. **Scollegare la spina dalla presa di corrente e/o il pacco batteria dall'elettrodomestico prima di regolarlo, sostituirne gli accessori o di ripararlo.** Queste misure di sicurezza preventive riducono il rischio di azionare l'apparato accidentalmente.
- d. **Quando non vengono usati, gli elettrodomestici devono essere custoditi fuori dalla portata dei bambini. Non consentire l'uso dell'elettrodomestico a persone inesperte o che non abbiano letto le presenti istruzioni.**  
Gli apparecchi elettrici sono pericolosi in mano a persone inesperte.
- e. **Mantenere gli elettrodomestici e gli accessori. Verificare che le parti mobili siano correttamente allineate e non inceppate, che non vi siano componenti rotti e che non sussistano altre condizioni che possono compromettere il funzionamento dell'apparecchio. Se l'apparecchio è danneggiato, farlo riparare prima dell'uso.** Molti incidenti sono provocati da apparecchi elettrici non sottoposti a una corretta manutenzione.
- f. **Mantenere affilati e puliti gli strumenti da taglio.** La manutenzione corretta degli utensili da taglio con bordi affilati riduce le probabilità di inceppamento e ne facilita il controllo.
- g. **Utilizzare l'elettrodomestico, gli accessori e le punte in conformità alle presenti istruzioni, tenendo conto delle condizioni di lavoro e del lavoro da completare.** L'utilizzo dell'elettrodomestico per impieghi diversi da quelli previsti può provocare situazioni di pericolo.
- h. **Mantenere le impugnature e le superfici di presa asciutte, pulite e senza tracce di olio o grasso. Impugnature e superfici di presa scivolose non consentono di maneggiare e controllare in modo sicuro l'elettrodomestico nel caso di imprevisti.**

#### 5. Uso e cura degli apparecchi elettrici a batteria

- a. **Ricaricare solo usando l'alimentatore prescritto dal fabbricante.** Un caricabatterie adatto per un solo tipo di batteria può comportare il rischio d'incendio se usato con una batteria diversa.

- b. **Usare gli elettrodomestici con gli appositi pacchi batteria.** L'impiego di pacchi batteria di tipo diverso potrebbe comportare il rischio di lesioni personali e di incendio.
  - c. **Quando il pacco batteria non viene usato, tenerlo lontano da altri oggetti metallici tipo graffette, monete, chiavi, chiodi, viti o altri oggetti metallici di piccole dimensioni, che potrebbero cortocircuitare un morsetto con l'altro.** Se i terminali della batteria vengono cortocircuitati si potrebbero causare ustioni o un incendio.
  - d. **In condizioni di sovraccarico, le batterie possono perdere liquido: evitare di toccarlo. In caso di contatto accidentale, sciacquare con abbondante acqua. Se il liquido dovesse entrare a contatto con gli occhi, rivolgersi anche a un medico.** Il liquido che fuoriesce dalla batteria può causare irritazioni o ustioni.
- #### 6. Assistenza
- a. **Fare riparare l'elettrodomestico esclusivamente da personale specializzato e solo usando pezzi di ricambio originali.** In questo modo viene garantita la sicurezza dell'elettrodomestico.
  - b. **Non riparare i pacchi BATTERIA danneggiati. Gli interventi di riparazione sui pacchi BATTERIA devono essere eseguiti dal costruttore o da fornitori di assistenza autorizzati.**

#### Avvertenze di sicurezza aggiuntive per gli apparecchi elettrici



**Avvertenza!** Altri avvisi di sicurezza per gli avvitatori battenti

- ◆ **Indossare otoprotezioni quando si usano i trapani a percussione.** L'esposizione al rumore può causare la perdita dell'udito.
- ◆ **Usare le impugnature ausiliarie fornite con l'elettrodomestico.** La perdita del controllo può causare lesioni alle persone.
- ◆ **Tenere l'elettrodomestico afferrando le impugnature isolate se vi è la possibilità che la punta dell'avvitatore possa venire a contatto di cavi nascosti o del filo di alimentazione.** I dispositivi di fissaggio che vengono a contatto con un cavo sotto tensione trasmettono la corrente elettrica anche alle parti metalliche esposte dell'apparato e possono provocare la folgorazione dell'operatore.
- ◆ **Usare morse o altri metodi pratici per fissare e bloccare il pezzo in lavorazione a una piattaforma stabile.** Tenere il lavoro con le mani o contro il corpo non ne assicura la stabilità e potrebbe portare a una perdita del controllo.
- ◆ **Questo elettrodomestico non è stato progettato per l'impiego da parte di persone (inclusi i bambini) portatrici di handicap fisici, psichici o sensoriali o che non abbiano la dovuta esperienza o conoscenza, a meno che non siano seguite o opportunamente istruite sul suo impiego da parte di una**

persona responsabile della loro sicurezza. I bambini devono essere sorvegliati per assicurarsi che non giochino con l'apparecchio.

- ◆ L'uso previsto è descritto in questo manuale di istruzioni. L'impiego dell'elettrotensile con accessori o dotazioni per scopi diversi da quelli raccomandati in questo manuale di istruzioni, potrebbe comportare il rischio che si verifichino lesioni alle persone e/o danni materiali.



**Avvertenza!** Gli avvitatori battenti non sono avvitatori torsiometrici. Non usare questo elettrotensile per serrare la bulloneria alla coppia specificata. Usare un utensile indipendente e opportunamente calibrato, come una chiave torsiometrica, se un serraggio eccessivo o insufficiente della bulloneria potrebbe causare danni al giunto.

### Sicurezza altrui

- ◆ Questo elettrotensile non è stato progettato per impiego da parte di persone (o bambini) portatrici di handicap fisici, psichici o sensoriali o che non abbiano la dovuta esperienza o conoscenza, a meno che non siano seguite o opportunamente istruite sul suo impiego da parte di una persona responsabile della loro sicurezza.
- ◆ I bambini devono essere sorvegliati per assicurarsi che non giochino con l'elettrotensile.

### Rischi residui

L'utilizzo dell'elettrotensile può comportare rischi residui non necessariamente riportati in queste avvertenze di sicurezza. Tali rischi possono sorgere a seguito di un uso prolungato o improprio, ecc.

Malgrado il rispetto delle norme di sicurezza pertinenti e l'implementazione di dispositivi di sicurezza, alcuni rischi residui non possono essere evitati. Sono inclusi:

- ◆ lesioni personali causate dal contatto con parti rotanti/in movimento;
- ◆ lesioni personali subite durante la sostituzione di parti, lame o accessori;
- ◆ lesioni personali causate dall'impiego prolungato di un apparecchio/utensile (quando si utilizza qualsiasi elettrotensile per periodi prolungati, assicurarsi di fare pause regolari);
- ◆ menomazioni uditive;
- ◆ rischi per la salute causati dalla respirazione delle polveri generate durante l'uso dell'apparecchio (ad esempio quando si lavora con il legno, in modo particolare quello di quercia o faggio o con l'MDF).

### Vibrazioni

I valori di emissione di vibrazione dichiarati, indicati nella sezione "Dati tecnici" e nella Dichiarazione di conformità di questo manuale, sono stati misurati attenendosi a un metodo di prova standard previsto dalla normativa EN62841 e posso-

no essere usati come termine di paragone tra due utensili. Il valore di emissione di vibrazione dichiarato può anche essere usato per una valutazione preliminare dell'esposizione.

**Avvertenza!** Il livello di emissione di vibrazione durante l'uso effettivo dell'elettrotensile può differire dal valore dichiarato, a seconda delle modalità di utilizzo dell'elettrotensile. Il livello di emissione di vibrazioni potrebbe superare il valore dichiarato.

Quando si valuta l'esposizione alla vibrazione per stabilire le misure di sicurezza richieste, in conformità alla normativa 2002/44/CE destinata alla protezione delle persone che usano regolarmente elettrotensili nello svolgimento delle proprie mansioni lavorative, è necessario prendere in considerazione le condizioni effettive di utilizzo e il modo in cui l'elettrotensile viene usato, oltre che tenere conto di tutte le componenti del ciclo operativo, vale a dire i periodi in cui l'elettrotensile è spento, quelli in cui è acceso ma a riposo e quelli in cui viene effettivamente utilizzato.

### Etichette sull'apparecchio

Sull'elettrotensile compaiono i seguenti pittogrammi insieme al codice data:



**Avvertenza!** Per ridurre il rischio di lesioni personali l'utilizzatore deve leggere il manuale di istruzioni.



Indossare otoprotezioni quando si usano i trapani a percussione. L'esposizione al rumore può causare la perdita dell'udito



Non fissare la luce di funzionamento

### Istruzioni di sicurezza aggiuntive per batterie e caricabatterie

#### Batterie

- ◆ Non tentare mai di aprire la batteria per alcun motivo.
- ◆ Non lasciare che la batteria si bagni.
- ◆ Non conservare in luoghi dove la temperatura potrebbe superare i 40 °C.
- ◆ Caricare solo a temperature ambiente tra 10 °C e 40 °C.
- ◆ Caricare solo usando il caricabatterie fornito con l'apparecchio.
- ◆ Quando si smaltiscono le batterie, seguire le istruzioni riportate al capitolo "Protezione dell'ambiente".

#### Caricabatterie

- ◆ Usare il caricabatterie STANLEY FAT MAX solo per caricare la batteria nell'apparecchio con il quale è stato fornito. Batterie diverse potrebbero scoppiare, causando lesioni alle persone e danni materiali.
- ◆ Non tentare mai di caricare batterie non ricaricabili.



- ◆ Fare sostituire immediatamente i cavi di alimentazione difettosi.
- ◆ Non lasciare che il caricabatterie si bagni.
- ◆ Non aprire il caricabatterie.
- ◆ Non collegare il caricabatterie a sonde.



Il caricabatterie è destinato solo all'uso in ambienti chiusi.



Leggere il manuale d'istruzioni prima dell'uso.



Non tentare di caricare batterie danneggiate.

## Sicurezza elettrica

Il doppio isolamento di cui è provvisto il caricabatterie rende superfluo il filo di terra. Verificare sempre che la tensione di rete corrisponda alla tensione indicata sulla targhetta dei valori nominali. Non tentare mai di sostituire il caricabatterie con una normale spina di rete.

- ◆ In caso di danneggiamento del filo di alimentazione, è necessario farlo riparare dal fabbricante o presso un centro assistenza STANLEY FAT MAX autorizzato in modo da evitare eventuali pericoli.

## Caratteristiche

Questo elettrotensile include alcune delle seguenti caratteristiche.

1. Interruttore di azionamento a velocità variabile
2. cursore Avanti/Indietro
3. Mandrino
4. Collare del mandrino
5. Batteria
6. Luce di lavoro a LED

### Fig. A

7. Caricabatterie
8. Indicatore di carica

## Assemblaggio

**Avvertenza!** Prima dell'assemblaggio, estrarre la batteria dall'elettrotensile.

### Montaggio e rimozione della batteria (fig. B)

- ◆ Per installare la batteria (5), allinearla all'apposito scomparto sull'elettrotensile. Infilare la batteria nell'apposito scomparto e premerla fino a quando si aggancia in sede.
- ◆ Per estrarre la batteria, premere il pulsante di rilascio (5a) estraendo al tempo stesso la batteria dall'apposito vano.

### Montaggio e rimozione di una punta di cacciavite o di una bussola (fig. C)

Questo elettrotensile è dotato di mandrino a ricambio rapido che consente di sostituire facilmente le punte.

**Avvertenza!** Verificare che l'elettrotensile sia bloccato per evitare l'azionamento dell'interruttore prima dell'installazione o rimozione degli accessori.

- ◆ Bloccare l'elettrotensile regolando il cursore avanti/indietro (2) sulla posizione centrale.
- ◆ Allontanare il collare del mandrino (4) dalla parte anteriore dell'elettrotensile e tenerlo così.
- ◆ Inserire il codolo della punta (8) nel mandrino portapunta (3).
- ◆ Rilasciare il collare. L'accessorio è bloccato in sede.

**Nota!** Per rimuovere la punta/bussola, ripetere i punti sopra-elencati.

**Avvertenza!** Usare esclusivamente attacchi a impulso. Gli attacchi non a impulso potrebbero rompersi e causare una condizione di pericolo. Ispezionare l'attacco prima dell'uso per assicurarsi che non contenga crepature.

## Uso

**Avvertenza!** Lasciare che l'elettrotensile funzioni al proprio ritmo. Non sovraccaricarlo.

### Carica della batteria (fig. A)

La batteria deve essere caricata prima dell'impiego iniziale e quando non eroga una potenza sufficiente per lavori che prima era possibile eseguire facilmente. Durante la carica, la batteria potrebbe riscaldarsi. Si tratta di un fatto normale che non indica la presenza di un problema.

**Avvertenza!** Non caricare la batteria a temperature ambientali inferiori a 10 °C o superiori a 40 °C. La temperatura di carica consigliata è di circa 24 °C.

**Nota: il caricabatterie non carica una batteria se la temperatura delle celle è inferiore a 10 °C o superiore a 40 °C. La batteria deve essere lasciata nel caricabatterie, che comincerà a caricarla automaticamente quando la temperatura delle celle aumenta o diminuisce.**

- ◆ Per caricare la batteria (5), inserirla nel caricabatterie (7). La batteria può essere inserita nel caricabatterie solo in un verso. Non forzare. Accertarsi che la batteria sia completamente inserita nel caricabatterie.
- ◆ Collegare l'alimentatore alla presa di corrente.

L'indicatore di carica (8) passa al lampeggio verde continuo (lentamente).

La carica è completa quando l'indicatore di carica (8) rimane acceso di continuo in verde. L'alimentatore e la batteria possono essere lasciati collegati indefinitamente con il LED acceso. Il LED passa al lampeggio verde (carica in corso) quando l'alimentatore di tanto in tanto rabocca la carica della batteria. L'indicatore di carica (8) si accende se la batteria è inserita nell'alimentatore collegato a una presa elettrica.

- ◆ Caricare le batterie scariche entro 1 settimana. La durata delle batterie si riduce parecchio se sono conservate scariche.

### Batteria lasciata nel caricabatterie

Il caricabatterie e il pacco batteria possono essere lasciati collegati con il LED sempre acceso. Il caricabatterie manterrà il pacco batteria come nuovo e completamente carico.

### Diagnostica del caricabatterie

Se l'alimentatore rileva che la batteria è debole o danneggiata, fa lampeggiare velocemente in rosso l'indicatore di carica (8). Procedere come descritto di seguito:

- ◆ Inserire di nuovo la batteria (5).
- ◆ Se l'indicatore di carica continua a lampeggiare di rosso a un ritmo veloce, usare una batteria diversa per determinare se il ciclo di carica funziona correttamente.
- ◆ Se la batteria di ricambio si carica correttamente, significa che quella originale è difettosa e che deve essere rispedita a un centro di assistenza per essere riciclata.
- ◆ Se anche con la nuova batteria si ottengono i medesimi risultati dati da quella vecchia, portare l'alimentatore presso un centro di assistenza autorizzato per essere sottoposto a controllo.

**Nota: Ci possono volere anche 60 minuti per determinare se la batteria è difettosa. Se il battery pack è troppo caldo o troppo freddo, il LED lampeggia alternamente in rosso a un ritmo veloce e lento con un lampeggio veloce e uno lento ripetuti nel tempo.**

### Selezione della direzione di rotazione (fig. D)

Per l'avvitatura, usare la rotazione in avanti (senso orario). Per l'allentamento, usare la rotazione indietro (senso antiorario).

- ◆ Per selezionare la rotazione in avanti, spingere il cursore avanti/indietro (2) verso sinistra.
- ◆ Per selezionare la rotazione indietro, spingere il cursore avanti/indietro verso destra.
- ◆ Per bloccare l'elettrotensile, regolare il cursore avanti/indietro sulla posizione centrale.

### Avvitatura/taratura dei dadi

- ◆ Selezionare la punta da cacciavite/bussola idonea alla vite o al dado da serrare.
- ◆ Selezionare la rotazione avanti o indietro come descritto qui sopra.
- ◆ Tenere l'elettrotensile allineato alla bulloneria.
- ◆ Dopo il serraggio, controllare la coppia con una chiave torsionometrica.

### Luce di lavoro a LED

La luce di lavoro a LED (6) è attivata automaticamente quando si preme l'interruttore a grilletto. La luce di lavoro a LED si accende quando la levetta è premuta a metà, prima che l'elettrotensile cominci a funzionare.

## Suggerimenti per un utilizzo ottimale

### Avvitamento/Svitamento

- ◆ Usare sempre la punta di cacciavite di tipo e misura corretti.
- ◆ Se le viti sono dure da avvitare, versare una piccola quantità di detersivo o sapone per lubrificarle.
- ◆ Tenere sempre l'elettrotensile e la punta del cacciavite in posizione perpendicolare rispetto alla vite.

### Manutenzione

Questo elettrotensile Stanley Fat Max è stato progettato per funzionare a lungo con una manutenzione minima. Per ottenere prestazioni sempre soddisfacenti occorre avere cura dell'elettrotensile e sottoporlo a pulizia periodica. Il caricabatterie non richiede alcuna manutenzione, fuorché una pulizia regolare.

**Avvertenza!** Prima di eseguire interventi di manutenzione sull'elettrotensile, estrarre la batteria.

Scollegare il caricabatterie dalla presa di corrente prima di pulirlo.

- ◆ Pulire regolarmente le prese di ventilazione dell'elettrotensile e dell'alimentatore con un pennello o con un panno morbido e asciutto.
- ◆ L'alloggiamento del motore deve essere pulito regolarmente con un panno umido. Non utilizzare materiali abrasivi o detersivi a base di solventi.
- ◆ Aprire regolarmente il mandrino e batterlo leggermente per eliminare la polvere che si forma all'interno.

### Tutela ambientale



Raccolta differenziata. I prodotti e le batterie contrassegnate con questo simbolo non devono essere smaltiti insieme ai normali rifiuti domestici.

I prodotti e le batterie contengono materiali che possono essere recuperati e riciclati, riducendo la domanda di materie prime.

Riciclare i prodotti e le batterie in base alle normative locali pertinenti. Ulteriori informazioni sono disponibili all'indirizzo [www.2helpU.com](http://www.2helpU.com)

### Dati tecnici

		FMC041
Tensione	$V_{DC}$	10,8
Velocità a vuoto	Min <sup>-1</sup>	0-2500
Battiti	BPM	0-3400
Coppia massima (Indice PTI)	Nm	110
Capacità del mandrino	mm	6 (esagonale)
Peso	kg	1,0

Caricabatterie		N472239/N472243
Tensione d'ingresso	$V_{AC}$	230
Tensione d'uscita	$V_{DC}$	22
Corrente	A	1,25
Tempo di carica approssimativo	min	70 (1,5AH)

Batteria		FMC086L
Tensione	$V_{DC}$	10,8
Capacità	Ah	1,5
Tipo		Li-Ion

**Livello di pressione sonora misurato in conformità alla norma EN 62841:**

 Pressione sonora ( $L_{pA}$ ) 91,5 dB(A), incertezza (K) 5 dB(A)

 Potenza sonora ( $L_{WA}$ ) 102,5 dB(A), incertezza (K) 5 dB(A)

**Valori totali di emissione di vibrazione (somma vettore triassiale) in conformità alla norma EN 62841:**

 Avvitatura con funzione percussione ( $a_{hv}$ ) 12,9 m/s<sup>2</sup>, incertezza (K) 1,5 m/s<sup>2</sup>

## Dichiarazione di conformità CE

DIRETTIVA SUI MACCHINARI



Avvitatore battente a batteria - FMC041

STANLEY Europe dichiara che i prodotti descritti al paragrafo "Dati tecnici" sono conformi alle seguenti normative:

2006/42/CE, EN62841-1:2015, EN62841-2-2:2014.

Questi prodotti sono conformi alle Direttive 2014/30/UE e 2011/65/UE.

Per ulteriori informazioni contattare Stanley Fat Max al seguente indirizzo oppure consultare l'ultima di copertina del manuale.

Il firmatario è responsabile della compilazione del documento tecnico e rende questa dichiarazione per conto di Stanley Europe.

Patrick Diepenbach  
 Direttore generale, Benelux  
 Stanley Fat Max,  
 Egide Walschaertsstraat 14-18  
 2800 Mechelen, Belgio  
 27/07/2020

## Garanzia

Stanley Fat Max è sicura della qualità dei propri prodotti e offre ai consumatori una garanzia di 12 mesi dalla data. Questa garanzia aggiuntiva non pregiudica in alcun modo i diritti del consumatore previsti dalla legge. La garanzia è valida sui territori degli stati membri dell'Unione Europea o dell'EFTA (Associazione europea di libero scambio).

Per attivare la garanzia, il reclamo deve essere effettuato in accordo con i Termini e Condizioni Stanley Fat Max e sarà necessario presentare la prova di acquisto al venditore o all'agente di riparazione autorizzato. I Termini e condizioni della garanzia Stanley Fat Max di 1 anno e la sede dell'agente di riparazione autorizzato più vicino sono consultabili su Internet all'indirizzo [www.2helpU.com](http://www.2helpU.com), o contattando l'ufficio Stanley Fat Max di zona all'indirizzo indicato in questo manuale.

Visitare il nostro sito [www.blackanddecker.co.uk](http://www.blackanddecker.co.uk) per registrare il nuovo prodotto Stanley Fat Max e ricevere gli aggiornamenti sui nuovi prodotti e le offerte speciali.

## Bedoeld gebruik

De slagmoersleutel Fat Max FMC041 van Stanley is ontworpen voor toepassing als schroevendraaier en voor het aanzetten van moeren. Dit gereedschap is bedoeld voor professionele en voor niet-professionele gebruikers.

## Instructies voor de veiligheid

### Algemene veiligheidswaarschuwingen voor elektrisch gereedschap



**Waarschuwing! Lees alle veiligheidsaanschuwingen, instructies, illustraties en specificaties die bij dit gereedschap zijn meegeleverd.** Wanneer de volgende waarschuwingen en instructies niet in acht worden genomen, kan dit een elektrische schok, brand of ernstig letsel tot gevolg hebben.

**Bewaar alle waarschuwingen en instructies zodat u deze later ook kunt raadplegen.** De term "elektrisch gereedschap" in de hieronder vermelde waarschuwingen verwijst naar uw (met een snoer) op de netspanning aangesloten elektrische gereedschap of naar (draadloos) elektrisch gereedschap met een accu.

#### 1. Veiligheid op de werkplek

- a. **Houd uw werkomgeving schoon en opgeruimd.** Op rommelige of donkere plekken kunnen gemakkelijk ongelukken gebeuren.
- b. **Gebruik elektrisch gereedschap niet in een omgeving met explosiegevaar, zoals in de nabijheid van brandbare vloeistoffen, gassen of stof.** Elektrisch gereedschap veroorzaakt vonken die het stof of de dampen kunnen doen ontbranden.
- c. **Houd kinderen en omstanders tijdens het gebruik van elektrisch gereedschap op afstand.** Wanneer u wordt afgeleid kunt u de controle over het gereedschap verliezen.

#### 2. Elektrische veiligheid

- a. **De netstekker van het gereedschap moet in het stopcontact passen. Pas de stekker nooit op enigerlei wijze aan.**  
Gebruik geen adapterstekkers met geaard elektrisch gereedschap. Niet-aangepaste stekkers en passende contactdozen verminderen het risico van een elektrische schok.
- b. **Vermijd aanraking van het lichaam met geaarde oppervlakken, bijvoorbeeld leidingen, radiatoren, fornuizen en koelkasten.** Er bestaat een verhoogd risico op een elektrische schok als uw lichaam geaard is.
- c. **Stel het gereedschap niet bloot aan regen en vocht.** Als er water elektrisch gereedschap binnendringt, verhoogt dit het risico van een elektrische schok.

- d. **Behandel het snoer voorzichtig. Draag het elektrisch gereedschap nooit aan het snoer, trek het gereedschap nooit aan het snoer naar u toe, en trek de stekker nooit aan het snoer uit het stopcontact. Houd het snoer uit de buurt van warmte, olie, scherpe randen of bewegende onderdelen.** Beschadigde snoeren of snoeren die in de war zijn geraakt, verhogen het risico van een elektrische schok.
- e. **Gebruik, wanneer u buitenshuis met elektrisch gereedschap werkt, alleen verlengsnoeren die zijn goedgekeurd voor gebruik buitenshuis.** Het gebruik van een verlengsnoer dat geschikt is voor werken buitenshuis, vermindert het risico van een elektrische schok.
- f. **Als u met elektrisch gereedschap werkt op een vochtige locatie, gebruik dan een aardlekschakelaar (RCD).** Het gebruik van een aardlekschakelaar vermindert het risico van een elektrische schok.

### 3. Persoonlijke veiligheid

- a. **Blijf alert, let goed op wat u doet en ga met verstand te werk bij het gebruik van elektrisch gereedschap. Gebruik het gereedschap niet wanneer u vermoeid bent of onder invloed van drugs, alcohol of medicatie.**  
Een moment van onoplettendheid tijdens het bedienen van elektrische gereedschap kan leiden tot ernstig persoonlijk letsel.
- b. **Draag persoonlijke beschermende uitrusting. Draag altijd oogbescherming.** Beschermende uitrusting, zoals een stofmasker, antislip veiligheidsschoenen, een helm, of gehoorbescherming, gebruikt in de juiste omstandigheden, zal het risico op persoonlijk letsel verminderen.
- c. **Zorg ervoor dat het gereedschap niet per ongeluk kan worden ingeschakeld. Controleer dat de schakelaar in de stand Uit (Off) staat voor u het gereedschap aansluit op de stroombron en/of de accu plaatst en voor u het gereedschap oppakt en draagt.** Het dragen van elektrisch gereedschap met uw vinger op de schakelaar of het van stroom voorzien van elektrisch gereedschap waarvan de schakelaar in de stand Aan staat, kan gemakkelijk leiden tot ongelukken.
- d. **Verwijder instelgereedschap of schroefslutels voordat u het gereedschap inschakelt.** Een steeksleutel of stelsleutel die in een ronddraaiend onderdeel van het elektrische gereedschap is achtergebleven, kan persoonlijk letsel veroorzaken.
- e. **Reik niet buiten uw macht. Blijf te allen tijde stevig in evenwicht en met beide voeten op de grond staan.** Dit zorgt voor betere controle van het elektrisch gereedschap in onverwachte situaties.
- f. **Draag geschikte kleding. Draag geen loszittende kleding of sieraden. Houd uw haar, kleding en handschoenen uit de buurt van bewegende**

- onderdelen.** Loszittende kleding, sieraden of lang haar kunnen door bewegende delen worden gegrepen.
- g. Als stofafzuigings- of stofopvangvoorzieningen kunnen worden gemonteerd, is het belangrijk dat u controleert dat ze goed zijn aangesloten en op juiste wijze worden gebruikt.** Het gebruik van stofafzuiging kan aan stof gerelateerde gevaren verminderen.
- h. Denk niet dat u doordat u het gereedschap veel hebt gebruikt het allemaal wel weet en dat u de veiligheidsbeginselen kunt negeren.** Een onvoorzichtige actie kan in een fractie van een seconde ernstig letsel tot gevolg hebben.
- 4. Gebruik en verzorging van elektrisch gereedschap**
- a. Overbelast het gereedschap niet. Gebruik het juiste elektrisch gereedschap voor uw toepassing.** Het juiste elektrisch gereedschap voert de werkzaamheden waarvoor het is ontworpen, beter en veiliger uit.
- b. Gebruik het elektrisch gereedschap niet wanneer de schakelaar niet goed werkt.** Ieder gereedschap dat niet met de schakelaar kan worden bediend, is gevaarlijk en moet worden gerepareerd.
- c. Trek de stekker uit het stopcontact en/of de accu uit het elektrisch gereedschap voordat u het gereedschap instelt, toebehoren wisselt of het gereedschap opbergt.** Dergelijke preventieve veiligheidsmaatregelen verminderen het risico dat het elektrische gereedschap per ongeluk opstart.
- d. Bewaar niet-gebruikte elektrische gereedschappen buiten bereik van kinderen. Laat het gereedschap niet gebruiken door personen die er niet vertrouwd mee zijn en deze aanwijzingen niet hebben gelezen.** Elektrisch gereedschap zijn gevaarlijk in handen van ongetrainde gebruikers.
- e. Onderhoud elektrisch gereedschap en accessoires goed. Controleer op verkeerde uitlijning en het aanlopen van bewegende onderdelen, breuk van onderdelen en andere omstandigheden die de werking van het elektrisch gereedschap nadelig kunnen beïnvloeden. Laat het gereedschap voor gebruik repareren, als het is beschadigd.** Veel ongelukken worden veroorzaakt doordat elektrisch gereedschap niet goed is onderhouden.
- f. Houd zaag- en snijgereedschap scherp en schoon.** Goed onderhouden gereedschap met scherpe snijranden loopt minder snel vast en is gemakkelijker onder controle te houden.
- g. Gebruik elektrisch gereedschap, toebehoren, zaagjes en boortjes, enz., volgens deze aanwijzingen. Let daarbij op de arbeidsomstandigheden en de uit te voeren werkzaamheden.** Gebruik van het elektrische gereedschap voor werkzaamheden die anders zijn dan het bedoelde gebruik, kunnen leiden tot een gevaarlijke situatie.
- h. Houd de handgrepen en oppervlakken die u beet pakt droog, schoon en vrij van olie en vet. Door gladde handgrepen en oppervlakken die u beet pakt, kan veilig werken en bedienen van het gereedschap in onverwachte situaties onmogelijk worden.**
- 5. Gebruik en onderhoud van accugereedschap**
- a. Laad accu's alleen op met de door de fabrikant aanbevolen lader.** Een lader die geschikt is voor het ene type accu, kan een risico van brand doen ontstaan bij gebruik met een andere accu.
- b. Gebruik elektrisch gereedschap alleen in combinatie met specifiek vermelde accu's.** Het gebruik van andere accu's kan gevaar voor letsel en brand opleveren.
- c. Houd de accu, wanneer u deze niet gebruikt, weg bij andere metalen objecten zoals paperclips, munten, sleutels, spijkers, schroeven of andere kleine metalen voorwerpen die een verbinding tot stand kunnen brengen tussen de ene pool en de andere.** Als kortsluiting tussen de polen van de accu's wordt gemaakt, kunnen brandwonden of brand worden veroorzaakt.
- d. Wanneer de accu slecht wordt behandeld, kan er vloeistof uit de accu spuiten, vermijd contact met deze vloeistof. Als er per ongeluk contact ontstaat, spoel dan met water. Als de vloeistof in de ogen komt, roep dan tevens medische hulp in.** Vloeistof die uit de batterij komt, kan irritatie en brandwonden veroorzaken.
- 6. Service**
- a. Laat het gereedschap repareren door gekwalificeerd en vakkundig personeel en alleen met originele vervangende onderdelen. Dit garandeert dat de veiligheid van het gereedschap behouden blijft.**
- b. Probeer nooit beschadigde accu's te repareren. De reparaties aan ACCU'S mogen alleen worden uitgevoerd door de fabrikant of door geautoriseerde servicecentra.**

### Aanvullende veiligheidswaarschuwingen voor elektrisch gereedschap



**Waarschuwing!** Aanvullende veiligheidswaarschuwingen voor slagmoersleutels

- ◆ **Draag gehoorbescherming bij het werken met slagboormachines.** Blootstelling aan lawaai kan gehoorverlies veroorzaken.
- ◆ **Gebruik de extra handgrepen die bij het gereedschap worden geleverd.** Verlies van controle kan leiden tot persoonlijk letsel.
- ◆ **Houd het elektrisch gereedschap vast bij de geïsoleerde greepoppervlakken als u een handeling uitvoert waarbij het bevestigingsmateriaal met onzichtbare**

**draden in aanraking kan komen.** Bevestigingsmateriaal dat in contact komt met bedrading die onder stroom staat, kan metalen onderdelen van het gereedschap onder stroom zetten en de gebruiker een elektrische schok geven.

- ◆ Zet het werkstuk vast met klemmen of op een andere praktische manier en ondersteun het op een stabiele ondergrond. Wanneer u het werkstuk vasthoudt met de hand of het tegen uw lichaam gedrukt houdt, is het instabiel en kunt u de controle verliezen.
- ◆ Dit gereedschap is niet bedoeld voor gebruik door personen (inclusief kinderen) met verminderde fysieke, zintuiglijke of psychische vermogens, of met een gebrek aan ervaring en kennis, tenzij zij onder toezicht staan of instructie over het gebruik van dit gereedschap hebben ontvangen, van iemand die verantwoordelijk is voor hun veiligheid. Houd toezicht op kinderen zodat zij niet met het apparaat kunnen spelen.
- ◆ Het bedoeld gebruik wordt beschreven in deze gebruiksaanwijzing. Het gebruik van andere accessoires of hulpstukken dan wel de uitvoering van andere handelingen met dit gereedschap dan in deze gebruikershandleiding worden aanbevolen, kan tot persoonlijk letsel en/of schade aan eigendom leiden.



**Waarschuwing!** Slagmoersleutels zijn geen momentsleutels. Gebruik dit gereedschap niet voor het vastdraaien van bevestigingsmaterialen tot een bepaald moment. Gebruik een afzonderlijke, gekalibreerde momentmeter zoals een momentsleutel wanneer bevestigingsmateriaal dat te veel of te weinig is aangezet, ertoe kan leiden dat een verbinding bezwijkt.

**Veiligheid van anderen**

- ◆ Dit gereedschap mag niet worden gebruikt door personen (waaronder kinderen) die lichamelijk of geestelijk mindervalide zijn of die geen ervaring met of kennis van dit gereedschap hebben, tenzij ze onder toezicht staan of instructies krijgen wat betreft het gebruik van het gereedschap van een persoon die verantwoordelijk is voor hun veiligheid.
- ◆ Houd toezicht op kinderen zodat zij niet met het apparaat kunnen spelen.

**Overige risico's**

Er kunnen zich nog meer risicovolle situaties voordoen wanneer u het gereedschap gebruikt, die mogelijk niet in de bijgesloten veiligheidswaarschuwingen worden vermeld. Deze risico's kunnen voortvloeien uit verkeerd gebruik, langdurig gebruik, enz.

Zelfs bij het toepassen van de relevante veiligheidsvoorschriften en het gebruik van veiligheidsvoorzieningen zullen

bepaalde risico's misschien niet kunnen worden vermeden. Dit zijn onder meer:

- ◆ Verwondingen die worden veroorzaakt door het aanraken van draaiende of bewegende onderdelen.
- ◆ Verwondingen die worden veroorzaakt bij het vervangen van onderdelen, bladen of accessoires.
- ◆ Verwondingen die worden veroorzaakt door langdurig gebruik van het gereedschap. Las vooral regelmatig pauzes in wanneer u gereedschap langdurig achtereen gebruikt.
- ◆ Gehoorbeschadiging.
- ◆ Gezondheidsrisico's als gevolg van het inademen van stof dat door gebruik van het gereedschap wordt veroorzaakt (bijvoorbeeld tijdens het werken met hout, vooral eiken, beuken en MDF.)

**Trilling**

De in de technische gegevens en de Conformiteitsverklaring aangegeven waarden voor trillingsemisatie, zijn gemeten volgens een standaardtestmethode die door EN62841 wordt verstrekt. Hiermee kan het ene gereedschap met het andere worden vergeleken.

De verklaarde trillingsemisiewaarde kan ook worden gebruikt voor een voorlopige beoordeling van blootstelling.

**Waarschuwing!** De trillingsemisiewaarde tijdens werkelijk gebruik van het elektrisch gereedschap kan verschillen van de verklaarde waarde, afhankelijk van de manieren waarop het gereedschap wordt gebruikt. De trillingswaarde kan toenemen tot boven het vermelde niveau.

Bij het beoordelen van blootstelling aan trilling ter vaststelling van de veiligheidsmaatregelen die worden vereist volgens 2002/44/EG ter bescherming van personen die in hun werk regelmatig elektrisch gereedschap gebruiken, moet een schatting van de blootstelling aan trilling de feitelijke gebruiksomstandigheden en de manier waarop het gereedschap wordt gebruikt in overweging nemen, en ook rekening houden met alle onderdelen van de bedrijfscyclus zoals het aantal malen dat het gereedschap wordt uitgeschakeld en dat het gereedschap stationair draait, in aanvulling op de ingeschakelde tijd.

**Etiketten op het gereedschap**

De volgende pictogrammen worden samen met de datumcode op het gereedschap getoond:



**Waarschuwing!** Beperk het risico van letsel, de gebruiker moet de instructiehandleiding lezen.



Draag gehoorbeschermers bij het werken met slagboormachines. Blootstelling aan lawaai kan gehoorverlies veroorzaken



Kijk niet in de lamp

## Aanvullende veiligheidsinstructies voor accu's en laders

### Accu's

- ◆ Probeer nooit de batterijen om welke reden dan ook open te maken.
- ◆ Stel de batterij niet bloot aan water.
- ◆ Bewaar deze niet op locaties met temperaturen van meer dan 40 °C.
- ◆ Laad de batterijen alleen op bij omgevingstemperaturen tussen 10 °C en 40 °C.
- ◆ Gebruik alleen de lader die bij het apparaat is geleverd.
- ◆ Gooi batterijen weg volgens de instructies in het gedeelte "Het milieu beschermen".

### Laders

- ◆ Gebruik de lader van STANLEY FAT MAX alleen voor de batterijen in het apparaat waarbij de lader is bijgeleverd. Andere batterijen kunnen exploderen, met lichamelijke letsel en materiële schade tot gevolg.
- ◆ Niet-oplaadbare batterijen mogen nooit worden opgeladen.
- ◆ Een defect snoer moet direct worden vervangen.
- ◆ Stel de lader niet bloot aan water.
- ◆ Open de lader niet.
- ◆ Prik nooit met een scherp voorwerp in de lader.



De lader is uitsluitend bestemd voor gebruik binnenshuis.



Lees voor gebruik deze gebruikershandleiding.



Laad beschadigde accu's niet op.

### Elektrische veiligheid



De lader is dubbel geïsoleerd, zodat een aardeaansluiting niet nodig is. Controleer altijd dat de netspanning overeenkomt met de waarde op het typeplaatje. Probeer nooit de lader door een normale netstekker te vervangen.

- ◆ Als het netsnoer is beschadigd, moet dit worden vervangen door de fabrikant of door een officieel STANLEY FAT MAX Service Centre, zodat gevaarlijke situaties worden voorkomen.

### Functies

Dit gereedschap is voorzien van enkele van de volgende functies of alle volgende functies.

1. Schakelaar voor variabele snelheid
2. Schuifknop voor vooruit/achteruit
3. Spankop

4. Kraag boorhouder
5. Accu
6. LED-werklicht

### Afb. A

7. Lader
8. Oplaadindicator

### Montage

**Waarschuwing!** Verwijder de accu uit het gereedschap voordat u met de montage begint.

### De accu plaatsen en verwijderen (afb. B)

- ◆ Plaats de batterij (5) door deze tegenover het batterijvak in het gereedschap te houden. Schuif de accu in het vak en duw tot de accu op z'n plaats klikt.
- ◆ Druk, wanneer u de accu wilt verwijderen, op de vrijgaveknoppen (5a) en trek tegelijkertijd de batterij uit het batterijvak.

### Een schroefbit of dop plaatsen of verwijderen (afb. C)

Dit gereedschap is uitgerust met een snelspankop, zodat u bits gemakkelijk kunt verwisselen.

**Waarschuwing!** Controleer voor u accessoires plaatst of verwijderd, dat het gereedschap is vergrendeld zodat de schakelaar niet per ongeluk kan worden geactiveerd.

- ◆ Vergrendel het gereedschap door de schuifknop vooruit/achteruit (2) in de middelste stand te zetten.
- ◆ Trek de spankopring (4) weg van de voorkant van het gereedschap.
- ◆ Plaats de bitschacht (8) in de spankop (3).
- ◆ Laat de ring los. Het accessoire is op z'n plaats vergrendeld.

**Opmerking!** Herhaal de bovenstaande stappen wanneer u de bit/dop wilt verwijderen.

**Waarschuwing!** Gebruik alleen slagdoppen. Andere doppen dan slagdoppen kunnen breken en dat kan leiden tot een gevaarlijke situatie. Inspecteer de dop voor gebruik zodat u zeker weet dat er geen scheuren in zitten.

### Gebruik

**Waarschuwing!** Laat het gereedschap op z'n eigen snelheid werken. Overbelast het niet.

### De accu opladen (fig. A)

De accu moet vóór het eerste gebruik worden opgeladen en ook zodra deze niet meer voldoende vermogen levert voor taken die eerst gemakkelijk konden worden uitgevoerd. Tijdens het opladen kan de accu warm worden. Dit is normaal en duidt niet op een probleem.

**Waarschuwing!** Laad de batterij niet op bij een omgevingstemperatuur van lager dan 10 °C of hoger dan 40 °C. De aanbevolen laadtemperatuur: ongev. 24 °C.



**Opmerking: De lader functioneert niet als de temperatuur van de accu lager is dan ongeveer 10 °C of hoger dan 40 °C.**

**Laat de accu in dat geval in de lader zitten. De lader wordt automatisch ingeschakeld wanneer de accu de juiste temperatuur heeft.**

- ◆ Schuif, wanneer u de accu (5) wilt opladen, de accu in de lader (7). De accu past maar op één manier in de lader. Oefen er geen kracht op uit. Controleer dat de accu goed in de lader is geplaatst.
- ◆ Steek de stekker van de lader in een stopcontact.

De oplaadindicator (8) gaat (langzaam) groen knipperen. Wanneer het indicatielampje (8) continu groen brandt, is de accu volledig opgeladen. U kunt de accu gewoon in de lader laten zitten wanneer het oplaadlampje brandt. Het lampje gaat groen knipperen (opladen), omdat de accu door de lader af en toe wordt bijgeladen. Het indicatielampje (8) blijft branden zolang de accu zich op de lader bevindt en de lader is aangesloten op het stopcontact.

- ◆ Laad lege accu's binnen 1 week op. Als u accu's leeg bewaart, loopt de levensduur van de accu's aanzienlijk terug.

### De accu in de lader laten zitten

U kunt de accu voor onbepaalde tijd in de lader laten zitten terwijl het LED-lampje brandt. De lader houdt de accu volledig opgeladen.

### Problemen met de accu

Als de lader waarneemt dat de accu bijna leeg is of beschadigd is, gaat het indicatielampje van de lader (8) snel rood knipperen. Ga in dat geval als volgt te werk:

- ◆ Plaats de accu (5) weer.
- ◆ Als het oplaadlampje snel rood blijft knipperen, controleer dan met een andere accu of de laadprocedure wel goed verloopt.
- ◆ Als de andere accu goed wordt opgeladen, is de oorspronkelijke accu defect. Breng de accu naar een servicecentrum waar deze kan worden gerecycled.
- ◆ Als de nieuwe accu dezelfde verschijnselen te zien geeft, breng de lader dan naar een officieel servicecentrum waar de lader kan worden getest.

**Opmerking: Het kan soms 60 minuten duren om na te gaan of de accu goed functioneert. Als de accu te warm of te koud is, knippert het lampje afwisselend snel en langzaam rood.**

### De draairichting selecteren (fig. D)

Gebruik de draairichting vooruit (rechtsom) voor vastdraaien. Gebruik de draairichting achteruit (linksom) voor losdraaien.

- ◆ Duw, wanneer u vooruit draaien wilt selecteren, de schuifknop voor vooruit/achteruit (2) naar links.
- ◆ Duw, wanneer u achteruit draaien wilt selecteren, de schuifknop voor vooruit/achteruit naar rechts.

- ◆ U kunt het gereedschap vergrendelen door de schuifknop voor vooruit/achteruit in de middelste stand te zetten.

### Schroeven/moeren aanzetten

- ◆ Selecteer de juiste bit/dop voor de schroef of moer die moet worden aangedraaid.
- ◆ Selecteer vooruit of achteruit zoals hierboven beschreven.
- ◆ Houd het gereedschap recht tegenover het bevestigingsmateriaal.
- ◆ Controleer, nadat u het bevestigingsmateriaal hebt aangedraaid, het aanhaalmoment met een momentsleutel.

### LED-werklicht

Het LED-werklicht (6) gaat automatisch branden als de aan/uit-schakelaar wordt ingedrukt. Het LED-werklicht brandt wanneer de schakelaar gedeeltelijk is ingedrukt, dus voordat het apparaat begint te werken.

### Aanwijzingen voor optimaal gebruik

#### Schroeven draaien

- ◆ Gebruik altijd het juiste type en formaat schroefbit.
- ◆ Als het moeilijk is schroeven vast te zetten, probeer dan of het beter gaat wanneer u een beetje afwasmiddel of zeep als smeermiddel gebruikt.
- ◆ Houd het gereedschap en het schroefbit altijd recht in het verlengde van de schroef.

### Onderhoud

Uw Stanley Fat Max-gereedschap is ontworpen om gedurende langere periode te functioneren met een minimum aan onderhoud. Het continu naar tevredenheid functioneren hangt af van de juiste zorg voor het gereedschap en regelmatig schoonmaken.

Ander onderhoud dan een regelmatige schoonmaakbeurt vraagt uw lader niet.

**Waarschuwing!** Neem, voordat u onderhoud aan het gereedschap uitvoert, de accu uit het gereedschap.

Trek de stekker van de lader uit het stopcontact voor u de lader gaat schoonmaken.

- ◆ Reinig de ventilatieopeningen van het gereedschap en de lader regelmatig met een zachte borstel of een droge doek.
- ◆ Reinig de behuizing van de motor regelmatig met een vochtige doek. Gebruik geen schuurmiddelen of schoonmaakmiddelen die op een oplosmiddel zijn gebaseerd.
- ◆ Open regelmatig de spankop en tik stof uit het binnenste.

### Bescherming van het milieu



Gescheiden afvalinzameling. Producten en accu's die zijn voorzien van dit symbool mogen niet worden weggegooid bij het normale huishoudafval.

Producten en accu's bevatten materialen die kunnen worden herwonnen en gerecycled waardoor de vraag naar grondstoffen afneemt.



Recycle elektrische producten en accu's volgens de ter plaatse geldende voorschriften. Nadere informatie is beschikbaar op [www.2helpU.com](http://www.2helpU.com)

De ondergetekende is verantwoordelijk voor de samenstelling van het technische bestand en legt deze verklaring af namens Stanley Europa.

*Patrick Diepenbach*

Patrick Diepenbach  
General Manager, Benelux  
Stanley Fat Max,  
Egide Walschaertsstraat 14-18  
2800 Mechelen, België  
27-07-2020

## Technische gegevens

		FMC041
Spanning	$V_{DC}$	10,8
Snelheid onbelast	$Min^{-1}$	0-2500
Slagen	SPM	0 - 3400
Max. aanhaalmoment (PTI-methode)	Nm	110
Capaciteit spankop	mm	6 (Inbus)
Gewicht	kg	1,0

Lader		N472239/N472243
Ingangsspanning	$V_{AC}$	230
Uitgangsspanning	$V_{DC}$	22
Laadstroom	A	1,25
Oplaadtijd ca.	min	70 (1,5 Ah)

Accu		FMC086L
Spanning	$V_{DC}$	10,8
Capaciteit	Ah	1,5
Type		Li-Ion

### Geluidsdruk niveau, volgens EN 62841:

Geluidsdruk ( $L_{pA}$ ) 91,5 dB(A), meetonzekerheid (K) 5 dB(A)

Geluidsvermogen ( $L_{WA}$ ) 102,5 dB(A), meetonzekerheid (K) 5 dB(A)

### Totale trillingswaarden (som triaxvector) volgens EN 62841:

Vastzetten met slagkracht ( $a_h$ ) 12,9 m/s<sup>2</sup>, onzekerheid (K) 1,5 m/s<sup>2</sup>

## EG-verklaring van overeenstemming

RICHTLIJN VOOR MACHINES



Snoerloze slagmoersleutel - FMC041

STANLEY Europe verklaart dat de producten die worden beschreven onder "technische gegevens" voldoen aan:

2006/42/EC, EN62841-1:2015, EN62841-2-2:2014.

Deze producten voldoen ook aan Richtlijn 2014/30/EU en 2011/65/EU.

Neem voor meer informatie contact op met Stanley Fat Max op het volgende adres of raadpleeg de achterzijde van de handleiding.

## Garantie

Stanley Fat Max heeft vertrouwen in zijn producten en biedt consumenten een garantie van 12 maanden vanaf de datum van aankoop. Deze garantie is een aanvulling op uw wettelijke rechten en maakt op geen enkele wijze inbreuk daarop. De garantie is geldig binnen het grondgebied van de Lidstaten van de Europese Unie en de Europese Vrijhandelszone.

Voor een garantie-aanspraak moet uw aanspraak in overeenstemming zijn met de Voorwaarden en Condities van Stanley Fat Max en moet u een bewijs van aankoop overleggen aan de verkoper of aan een geautoriseerde reparatiemonteur. Voorwaarden en condities van de 1-jarige garantie van Stanley Fat Max en het adres van de vestiging van het geautoriseerde reparatiecentrum bij u in de buurt, kunt u vinden op internet op [www.2helpU.com](http://www.2helpU.com), of door contact op te nemen met het Stanley Fat Max-kantoor ter plaatse, op het adres dat in deze handleiding wordt vermeld.

Ga naar onze website [www.blackanddecker.co.uk](http://www.blackanddecker.co.uk), registreer uw nieuwe product van Stanley Fat Max en ontvang informatie over nieuwe producten en speciale aanbiedingen.

## Uso previsto

El atornillador de impacto Stanley Fat Max FMC041 ha sido diseñado para atornillar y apretar tuercas. Esta herramienta ha sido concebida para usuarios profesionales y para usuarios particulares no profesionales.

## Instrucciones de seguridad

### Advertencias de seguridad generales para herramientas eléctricas



**¡Advertencia! Lea todas las advertencias de seguridad, instrucciones, ilustraciones y especificaciones suministradas con esta herramienta eléctrica.** En caso de no atenerse a las siguientes advertencias e instrucciones, podría producirse una descarga eléctrica, incendio o lesión grave.

**Guarde todas las advertencias e instrucciones para poder consultarlas con posterioridad.** El término "herramienta eléctrica" que aparece en todas las advertencias que aparecen a continuación se refiere a la herramienta eléctrica que funciona a través de la red eléctrica (con cable) o a la herramienta eléctrica que funciona con batería (sin cable).

#### 1. Seguridad en la zona de trabajo

- a. **Mantenga limpia y bien iluminada el área de trabajo.** Las áreas en desorden u oscuras pueden provocar accidentes.
- b. **No utilice herramientas eléctricas en atmósferas explosivas tales como aquellas en las que haya líquidos, gases o polvos inflamables.** Las herramientas eléctricas originan chispas que pueden inflamar el polvo o los gases.
- c. **Mantenga alejados a los niños y a otras personas del área de trabajo al emplear la herramienta eléctrica.** Las distracciones pueden ocasionar que pierda el control.

#### 2. Seguridad eléctrica

- a. **El enchufe de la herramienta eléctrica debe corresponder a la toma de corriente. No modifique nunca el enchufe de ninguna forma.** **No utilice ningún enchufe adaptador con herramientas eléctricas conectadas a tierra (a masa).** Los enchufes no modificados y las tomas de corriente correspondientes reducirán el riesgo de descarga eléctrica.
- b. **Evite que su cuerpo toque partes conectadas a tierra como tuberías, radiadores, cocinas y refrigeradores.** Existe un mayor riesgo de descarga eléctrica si su propio cuerpo está conectado a tierra.
- c. **No exponga las herramientas eléctricas a la lluvia y evite que penetren líquidos en su interior.** Si entra agua en una herramienta eléctrica, aumenta el riesgo de descarga eléctrica.

- d. **Cuide el cable de alimentación. No use nunca el cable para transportar, tirar de la herramienta eléctrica o desenchufarla. Mantenga el cable alejado del calor, aceite, bordes afilados y piezas en movimiento.** Los cables dañados o enredados aumentan el riesgo de descarga eléctrica.
- e. **Al trabajar con la herramienta eléctrica en la intemperie utilice solamente cables de prolongación homologados para su uso en exteriores.** La utilización de un cable adecuado para el uso en exteriores reduce el riesgo de descarga eléctrica.
- f. Si la utilización de una herramienta eléctrica en un lugar húmedo es inevitable, utilice una fuente protegida con un dispositivo diferencial residual (DDR). El uso de un DDR reduce el riesgo de descarga eléctrica.

#### 3. Seguridad personal

- a. **Esté atento a lo que hace y emplee la herramienta eléctrica con prudencia.** **No maneje una herramienta eléctrica cuando esté cansado o bajo los efectos de drogas, medicamentos o alcohol.** Un momento de desatención cuando se manejan las herramientas eléctricas puede ocasionar lesiones personales graves.
- b. **Utilice un equipo de protección personal. Utilice siempre protección ocular.** El uso del equipo protector, como mascarillas antipolvo, calzado antideslizante, casco o protección auditiva, usado en condiciones apropiadas, reduce las lesiones personales.
- c. **Impida que la herramienta se ponga en marcha accidentalmente. Asegúrese de que el interruptor esté en posición de apagado antes de conectar con la fuente de alimentación y/o la batería, de levantar o transportar la herramienta.** El transportar herramientas eléctricas con el dedo puesto en el interruptor o herramientas eléctricas activadoras que tengan el interruptor encendido puede provocar accidentes.
- d. **Retire las herramientas de ajuste o llaves fijas antes de conectar la herramienta eléctrica.** Una llave inglesa u otra llave que se deje puesta en una pieza en movimiento de la herramienta eléctrica pueden ocasionar lesiones personales.
- e. **Sea precavido. Mantenga un equilibrio adecuado y la estabilidad constantemente.** Esto permite un mejor control de la herramienta eléctrica en situaciones inesperadas.
- f. **Lleve puesta una vestimenta de trabajo adecuada. No se ponga ropa suelta o joyas. Mantenga el cabello, la ropa y los guantes alejados de las piezas en movimiento.** La ropa suelta, las joyas y el pelo largo pueden quedar atrapados en las piezas en movimiento.
- g. **Siempre que sea posible utilice unos equipos de aspiración o captación de polvo, asegúrese de que**

**estén montados y se utilicen correctamente.** El uso de equipo de recogida de polvo puede reducir los riesgos relacionados con el polvo.

- h. No deje que la familiaridad adquirida con el uso frecuente de las herramientas le lleve a fiarse demasiado y a descuidar las principales normas de seguridad de la herramienta.** Los descuidos pueden causar lesiones graves en una fracción de segundo.
- 4. Uso y cuidado de la herramienta eléctrica**
- a. No sobrecargue la herramienta eléctrica. Use la herramienta eléctrica correcta para su trabajo.** La herramienta eléctrica correcta funcionará mejor y con mayor seguridad si se utiliza de acuerdo con sus características técnicas.
- b. No utilice herramientas eléctricas con un interruptor defectuoso.** Toda herramienta eléctrica que no pueda controlarse con el interruptor es peligrosa y debe ser reparada.
- c. Desconecte el conector de la herramienta eléctrica de la fuente de alimentación y la batería antes de realizar cualquier ajuste, cambiar accesorios o guardar la herramienta.** Dichas medidas de seguridad preventivas reducen el riesgo de poner en marcha accidentalmente la herramienta eléctrica.
- d. Guarde las herramientas eléctricas fuera del alcance de los niños y de las personas que no estén familiarizadas con su uso.**  
Las herramientas eléctricas son peligrosas en manos de personas no capacitadas.
- e. Efectúe el mantenimiento de las herramientas eléctricas y de los accesorios. Compruebe si hay desalineación o bloqueo de las piezas en movimiento, rotura de piezas y otras condiciones que puedan afectar el funcionamiento de la herramienta eléctrica. Si la herramienta eléctrica está dañada, llévela a reparar antes de utilizarla.** Muchos accidentes se ocasionan por el incorrecto mantenimiento de las herramientas eléctricas.
- f. Mantenga las herramientas de corte limpias y afiladas.** Hay menos probabilidad de que las herramientas de corte con bordes afilados se bloqueen, y son más fáciles de controlar.
- g. Utilice la herramienta eléctrica, los accesorios, los útiles de la herramienta, etc. de acuerdo con estas instrucciones, y tenga en cuenta las condiciones de trabajo y la tarea que va a realizar.**  
El uso de la herramienta eléctrica para operaciones que no sean las previstas puede ocasionar una situación peligrosa.
- h. Mantenga todas las empuñaduras y superficies de agarre secas, limpias y libres de aceite y grasa. Las empuñaduras y superficies de agarre resbaladizas**

**impiden el agarre y el control seguro de la herramienta en situaciones imprevistas.**

- 5. Uso y cuidado de la herramienta de batería**
- a. Recárguela solo con el cargador especificado por el fabricante.** Un cargador adecuado para un tipo de batería puede causar riesgos de incendio al ser utilizado con otra batería.
- b. Utilice las herramientas eléctricas solamente con las baterías recomendadas.** El uso de otras baterías puede suponer un riesgo de incendio y lesiones.
- c. Cuando no utilice la batería, manténgala alejada de objetos de metal como clips para papel, monedas, llaves, clavos, tornillos y otros pequeños objetos metálicos que pueden realizar una conexión de un terminal a otro.** Si provoca un cortocircuito entre los terminales de la batería, puede ocasionar un incendio o sufrir quemaduras.
- d. En caso de uso abusivo puede salir líquido de la batería, evite el contacto. Si se produce un contacto accidental, lávese con agua. Si el líquido entra en contacto con los ojos, busque atención médica de inmediato.** El líquido expulsado por la batería podrá provocar irritaciones o quemaduras.
- 6. Servicio**
- a. Haga reparar esta herramienta eléctrica solo por personal técnico autorizado y que emplee exclusivamente piezas de repuesto originales. Esto le asegurará el mantenimiento de la seguridad de la herramienta eléctrica.**
- b. No repare nunca las baterías dañadas. La reparación de las BATERÍAS debe ser realizada únicamente por el fabricante o los proveedores de servicios autorizados.**

#### Otras advertencias de seguridad para herramientas eléctricas



**¡Advertencia!** Advertencias de seguridad adicionales para atornilladores de percusión

- ◆ **Utilice protectores para los oídos con los taladros de percusión.** La exposición al ruido puede provocar pérdida auditiva.
- ◆ **Utilice las empuñaduras auxiliares suministradas con la herramienta.** La pérdida de control puede provocar lesiones personales.
- ◆ **Sujete la herramienta eléctrica por las superficies protegidas cuando realice una operación en la que el accesorio de corte pueda entrar en contacto con cables ocultos.** El contacto de las fijaciones con un cable "cargado" puede cargar las partes metálicas expuestas de la herramienta eléctrica y producir una descarga eléctrica al operador.

- ◆ Utilice mordazas u otros métodos para fijar y sostener la pieza de trabajo sobre una plataforma estable. Si sostiene la pieza de trabajo con las manos o con el cuerpo, la pieza quedará inestable y podrá hacer que usted pierda el control.
- ◆ Las personas (incluidos niños) con capacidades físicas, sensoriales o mentales disminuidas o que carezcan de experiencia y conocimientos no deben utilizar esta herramienta, salvo que estén supervisadas o hayan recibido formación sobre el uso del aparato por parte de una persona responsable de su seguridad. Los niños deben estar vigilados en todo momento para asegurarse de que no jueguen con el aparato.
- ◆ En este manual se describe el uso previsto. La utilización de accesorios o la realización de operaciones con esta herramienta distintas de las recomendadas en este manual de instrucciones puede presentar un riesgo de lesiones y/o daños materiales.



**¡Advertencia!** Los atornilladores de percusión no son llaves dinamométricas. No utilice esta herramienta para apretar elementos de fijación a pares especificados. Hay que utilizar un dispositivo calibrado e independiente de medición de pares, como una llave dinamométrica, en los casos en los que apretar demasiado o demasiado poco las fijaciones pudiese causar un fallo de la unión.

### Seguridad de otras personas

- ◆ Las personas (incluidos niños) con capacidades físicas, sensoriales o mentales disminuidas o que carezcan de experiencia y conocimientos no deben utilizar esta herramienta, salvo que hayan recibido supervisión o formación con respecto al uso del aparato por parte de una persona responsable de su seguridad.
- ◆ Los niños deben estar vigilados en todo momento para asegurarse de que no jueguen con el aparato.

### Riesgos residuales

Pueden producirse otros riesgos residuales al usar la herramienta que no se hayan incluido en las advertencias de seguridad adjuntas. Estos riesgos pueden derivarse de un mal uso, un uso prolongado, etc.

No obstante el cumplimiento de las normas de seguridad pertinentes y del uso de dispositivos de seguridad, existen determinados riesgos residuales que no pueden evitarse.

Esto incluye:

- ◆ Lesiones producidas por el contacto con piezas móviles o giratorias.
- ◆ Lesiones producidas al cambiar cualquier pieza, hoja o accesorio.
- ◆ Lesiones producidas al usar una herramienta por un tiempo demasiado prolongado. Cuando use cualquier

herramienta durante periodos prolongados, asegúrese de hacer pausas regulares.

- ◆ Deterioro auditivo.
- ◆ Riesgos para la salud producidos al respirar el polvo que se genera al usar la herramienta (por ejemplo: en los trabajos con madera, especialmente de roble, haya y tableros de densidad mediana).

### Vibraciones

Los valores de emisión de vibraciones declarados en el apartado de características técnicas y en la declaración de conformidad han sido calculados según un método de prueba estándar indicado en por la norma EN62841, que pueden utilizarse para comparar herramientas entre sí.

El valor declarado de emisión de las vibraciones también se puede usar en una evaluación preliminar de la exposición.

**¡Advertencia!** El valor de emisión de las vibraciones durante el uso de la herramienta eléctrica puede variar con respecto al valor declarado, dependiendo de las formas de usar la herramienta. El nivel de las vibraciones puede superar el nivel indicado.

A la hora de evaluar la exposición a las vibraciones para determinar las medidas de seguridad exigidas por la Directiva 2002/44/CE para proteger a las personas que utilizan habitualmente herramientas electrónicas en su trabajo, una estimación de la exposición a las vibraciones debe tener en cuenta las condiciones reales de uso y la forma en que se utiliza la herramienta, teniendo en cuenta también todas las partes del ciclo operativo, como el tiempo que la herramienta está apagada y cuando funciona en ralentí, además del tiempo de activación.

### Etiquetas en la herramienta

En la herramienta aparecen los pictogramas siguientes, así como el código de fecha:



**¡Advertencia!** Para reducir el riesgo de lesiones, el usuario debe leer el manual de instrucciones.



Utilice protectores para los oídos con los taladros de percusión. La exposición al ruido puede provocar pérdida auditiva



No fije la vista en la lámpara de trabajo

### Instrucciones de seguridad adicionales para baterías y cargadores

#### Baterías

- ◆ Jamás trate de abrirla por ninguna razón.
- ◆ No exponga la batería al agua.
- ◆ No las almacene en lugares en los que la temperatura pueda superar los 40 °C.

- ◆ Realice la carga únicamente a una temperatura ambiente de entre 10 °C y 40 °C.
- ◆ Utilice únicamente el cargador suministrado con la herramienta para realizar la carga.
- ◆ Para desechar las pilas o las baterías, siga las instrucciones facilitadas en la sección "Protección del medio ambiente".

## Cargadores

- ◆ Utilice el cargador STANLEY FAT MAX para cargar únicamente la batería de la herramienta con la que fue suministrado. En caso de intentar cargar otras baterías, estas podrían explotar causando lesiones personales y daños.
- ◆ Nunca intente cargar baterías no recargables.
- ◆ Sustituya los cables defectuosos inmediatamente.
- ◆ No exponga el cargador al agua.
- ◆ No abra el cargador.
- ◆ No aplique ningún dispositivo para medir la resistencia del cargador.



Este cargador está pensado únicamente para utilizar en un lugar interior.



Lea el manual de instrucciones antes de utilizar el aparato.



No intente cargar baterías dañadas.

## Seguridad eléctrica



El cargador está provisto de doble aislamiento, por lo que no requiere una toma de tierra. Compruebe siempre que el voltaje de la red eléctrica coincida con el valor indicado en la placa de datos. No intente sustituir el cargador por un enchufe convencional para la red eléctrica.

- ◆ Si se daña el cable de alimentación, debe ser sustituido por el fabricante o un centro de asistencia técnica autorizado de STANLEY FAT MAX, para evitar peligros.

## Características

Esta herramienta incluye todas o algunas de las características siguientes.

1. Interruptor de velocidad variable
2. Control deslizante de avance/retroceso
3. Portaherramientas
4. Collarín del portaherramientas
5. Batería
6. Luz de trabajo LED

## Fig. A

7. Cargador
8. Indicador de carga

## Ensamblaje

**¡Advertencia!** Antes de proceder al montaje, extraiga la batería de la herramienta.

## Inserción y extracción de la batería (Fig. B)

- ◆ Para insertar la batería (5), alinéela con el receptáculo de la herramienta. Deslice la batería dentro del alojamiento y empújela hasta que encaje en su sitio.
- ◆ Para extraer la batería, pulse el botón de liberación (5a) y tire a la vez de la batería para extraerla del receptáculo.

## Colocación y extracción de una punta de atornillar o una llave de vaso (Fig. C)

Esta herramienta está dotada de un portaherramientas de liberación rápida que permite cambiar las brocas fácilmente.

**¡Advertencia!** Asegúrese de que la herramienta está bloqueada para evitar que se active el interruptor antes de colocar o extraer accesorios.

- ◆ Para bloquear la herramienta, ajuste el control deslizante de avance/retroceso (2) en la posición central.
- ◆ Tire del collarín del portaherramientas (4) manteniéndolo apartado de la parte frontal de la herramienta.
- ◆ Inserte el eje de la broca o punta de atornillar (8) en el portaherramientas (3).
- ◆ Suelte el collarín. El accesorio queda encajado.

**¡Nota!** Para extraer una broca/punta repita los pasos anteriores.

**¡Advertencia!** Utilice sólo enchufes de impacto. Los enchufes que no sean de impacto podrán romperse y provocar condiciones peligrosas. Revise el enchufe antes de utilizar el aparato para comprobar que no registre roturas.

## Use

**¡Advertencia!** Deje que la herramienta funcione a su ritmo. No debe sobrecargarla.

## Carga de la batería (Fig. A)

Es necesario cargar la batería antes del primer uso y cada vez que empiece a no tener suficiente potencia para tareas que eran fáciles de realizar anteriormente. Es posible que la batería se caliente durante la carga, esto es normal y no denota ningún problema.

**¡Advertencia!** No cargue la batería si la temperatura ambiente es inferior a 10 °C o superior a 40 °C. La temperatura de carga recomendada es de aproximadamente 24 °C.

**Nota:** El cargador no cargará la batería si la temperatura de esta es inferior a los 10 °C o superior a los 40 °C aproximadamente.

Deje la batería en el cargador y este empezará a cargarla automáticamente cuando la temperatura de la batería aumente o disminuya.

- ◆ Para cargar la batería (5), insértela en el cargador (7). La batería encaja en el cargador solo en una dirección. No la fuerce. Asegúrese de que la batería queda perfectamente encajada en el cargador.

- ◆ Enchufe el cargador y conéctelo a la red eléctrica.

El indicador de carga (8) parpadeará en verde de forma continua (lentamente).

La carga habrá finalizado cuando el indicador de carga (8) se ilumine en verde de manera continua. El cargador y la batería pueden permanecer conectados durante un periodo de tiempo indefinido con el indicador LED iluminado. El indicador LED pasará a parpadear en verde (estado de carga), ya que el cargador completa la carga de la batería ocasionalmente. El indicador de carga (8) permanecerá encendido siempre que la batería esté conectada al cargador y este último permanezca enchufado.

- ◆ Cargue las baterías descargadas en el plazo de 1 semana. La vida útil de la batería disminuirá considerablemente si ésta se almacena descargada.

### Dejar la batería en el cargador

El cargador y la batería pueden permanecer conectados durante un periodo de tiempo indefinido con el indicador LED iluminado. El cargador mantendrá la batería a baja temperatura y completamente cargada.

### Diagnóstico del cargador

Si el cargador detecta que la batería dispone de poca energía o está dañada, el indicador de carga (8) parpadeará en rojo a gran velocidad. Realice el procedimiento siguiente:

- ◆ Vuelva a insertar la batería (5).
- ◆ Si los indicadores de carga siguen parpadearando en rojo rápidamente, utilice otra batería para determinar si el proceso de carga se efectúa correctamente.
- ◆ Si la batería sustituida se carga correctamente, significa que la batería original está defectuosa y que debe devolverla al centro de servicio para su reciclado.
- ◆ Si la batería nueva muestra la misma indicación que la original, lleve el cargador a un centro de servicio autorizado para que lo prueben.

**Nota: Es posible que se empleen 60 minutos en determinar si la batería es defectuosa. Si la batería está demasiado fría o demasiado caliente, el indicador LED parpadeará en rojo rápida y lentamente, de manera alternativa, y se repetirá la secuencia.**

### Selección de la dirección de rotación (Fig. D)

Para apretar, utilice la rotación hacia delante (en el sentido de las agujas del reloj). Para aflojar, utilice la rotación hacia atrás (en el sentido contrario a las agujas del reloj).

- ◆ Para seleccionar la rotación hacia delante, empuje el control deslizante de avance/retroceso (2) hacia la izquierda.
- ◆ Para seleccionar la rotación inversa, empuje el control deslizante de avance/retroceso hacia la derecha.

- ◆ Para bloquear la herramienta, ajuste el control deslizante de avance/retroceso en la posición central.

### Atornillar/apretar tuercas

- ◆ Seleccione la broca/llave de vaso adecuada para colocar el tornillo o tuerca.
- ◆ Seleccione la rotación hacia delante o hacia atrás como se ha descrito anteriormente.
- ◆ Sostenga la herramienta en línea con la fijación.
- ◆ Después de apretar, compruebe el par con una llave dinamométrica.

### Luz de trabajo LED

La luz de trabajo LED (6) se activa automáticamente cuando se presiona el interruptor. La luz de trabajo LED se iluminará cuando el gatillo se presione parcialmente, antes de que la unidad comience a funcionar.

### Sugerencias para un uso óptimo

#### Atornillado

- ◆ Utilice siempre el tipo y tamaño de punta de atornillar correctos.
- ◆ Si le resulta difícil apretar los tornillos, inténtelo utilizando un poco de detergente o de jabón como lubricante.
- ◆ Sujete siempre la herramienta y la punta de atornillar en línea recta con el tornillo.

### Mantenimiento

La herramienta de Stanley Fat Max se ha diseñado para que funcione durante un largo período de tiempo con un mantenimiento mínimo. El funcionamiento satisfactorio y continuo depende del buen cuidado de la herramienta y de una limpieza frecuente.

El cargador no requiere otro mantenimiento que una limpieza periódica.

**¡Advertencia!** Antes de realizar alguna operación de mantenimiento en la herramienta, extraiga la batería.

Desenchufe el cargador antes de limpiarlo.

- ◆ Limpie periódicamente las ranuras de ventilación de la herramienta y el cargador con un cepillo suave o un paño seco.
- ◆ Limpie periódicamente la carcasa del motor con un paño húmedo. No utilice productos de limpieza abrasivos o a base de disolventes.
- ◆ Abra periódicamente el portaherramientas y golpéelo suavemente para eliminar los restos de polvo que pudiese contener en su interior.

### Protección del medioambiente



Recogida selectiva. Los productos y las baterías marcadas con este símbolo no deben eliminarse junto con los residuos domésticos normales.

Los productos y las baterías que contienen materiales que se puedan recuperar o reciclar reducen la demanda de materias primas.

Recicle los productos eléctricos y las baterías de conformidad con las normas locales. Puede obtener más información en [www.2helpU.com](http://www.2helpU.com)

Si desea obtener más información, póngase en contacto con Stanley Fat Max a través de la siguiente dirección o consulte el dorso del manual.

El abajo firmante es el responsable de la compilación del archivo técnico y realiza esta declaración en representación de Stanley Europa.

*Patrick Diepenbach*

Patrick Diepenbach  
Director General, Benelux  
Stanley Fat Max,  
Egide Walschaertsstraat 14-18  
2800 Mechelen, Bélgica  
27/07/2020

## Datos técnicos

		FMC041
Voltaje	$V_{cc}$	10,8
Velocidad en vacío	Min. <sup>-1</sup>	0-2500
Impactos	BPM	0 - 3400
Par de torsión máx. (Método PTI)	Nm	110
Capacidad del portaherramientas	mm	6 (Hex)
Peso	kg	1,0

Cargador		N472239/N472243
Voltaje de entrada	$V_{CA}$	230
Voltaje de salida	$V_{CC}$	22
Corriente	A	1,25
Tiempo de carga aproximado	min	70 (1,5 AH)

Batería		FMC086L
Voltaje	$V_{CC}$	10,8
Capacidad	Ah	1,5
Tipo		iones de litio

### Nivel de presión acústica de acuerdo con la directiva EN 62841:

Presión acústica ( $L_{PA}$ ) 91,5 dB(A), incertidumbre (K) 5 dB(A)

Potencia acústica ( $L_{WA}$ ) 102,5 dB (A), incertidumbre (K) 5 dB (A)

### Valores totales de vibración (suma vectorial triaxial) de acuerdo con la directiva EN 62841:

Fijación con impacto ( $a_h$ ) 12,9 m/s<sup>2</sup>, incertidumbre (K) 1,5 m/s<sup>2</sup>

## Garantía

Stanley Fat Max confía en la calidad de sus productos y ofrece a los consumidores una garantía de 12 meses a partir de la fecha de compra. Esta garantía es adicional a sus derechos legales y no los menoscaba en modo alguno. La garantía es válida dentro de los territorios de los Estados Miembros de la Unión Europea y del Área de Libre Comercio Europea.

Para reclamar la garantía, la reclamación se debe presentar de conformidad con las condiciones de Stanley Fat Max. Tendrá que adjuntar un justificante de compra al vendedor o al agente técnico autorizado. Las condiciones de la garantía de 1 año de Stanley Fat Max y la ubicación de su agente técnico autorizado más cercano se pueden obtener en Internet en [www.2helpU.com](http://www.2helpU.com) o poniéndose en contacto con su oficina local de Stanley Fat Max en la dirección que se indica en este manual.

Visite nuestro sitio web [www.blackanddecker.co.uk](http://www.blackanddecker.co.uk) y registre su nuevo producto Stanley Fat Max para mantenerse al día sobre los nuevos productos y las ofertas especiales.

## Declaración de conformidad CE

DIRECTIVA SOBRE MAQUINARIA



Atornillador de impacto sin cable - FMC041

STANLEY Europe declara que los productos descritos en "Datos técnicos" cumplen las siguientes normas:

2006/42/EC, EN62841-1:2015, EN62841-2-2:2014.

Estos productos también son conformes a las directivas 2014/30/UE y 2011/65/UE.



## Utilização pretendida

A sua chave de impacto FMC041 da Stanley Fat Max foi concebida para aparafusar e apertar parafusos e porcas. Esta ferramenta destina-se a utilização profissional bem como a utilizadores privados não profissionais.

## Instruções de segurança

### Avisos de segurança gerais relativos a ferramentas eléctricas



**Atenção! Leia todos os avisos de segurança, instruções, ilustrações e especificações fornecidos com esta ferramenta eléctrica.** O não cumprimento dos seguintes avisos e instruções pode causar choque eléctrico, incêndio e/ou ferimentos graves.

**Guarde todos os avisos e instruções para futura referência.** Em todos os avisos que se seguem abaixo, o termo "ferramenta eléctrica" refere-se à sua ferramenta alimentada pela rede eléctrica (com fios) ou por uma bateria (sem fios).

#### 1. Segurança na área de trabalho

- a. **Mantenha a área de trabalho limpa e bem iluminada.** As áreas desorganizadas ou escuras são propensas a acidentes.
- b. **Não trabalhe com ferramentas eléctricas em áreas com risco de explosão, nas quais se encontrem líquidos, gases ou poeiras inflamáveis.** As ferramentas eléctricas criam faíscas que poderão inflamar estas poeiras ou vapores.
- c. **Mantenha crianças e outras pessoas afastadas durante a utilização da ferramenta eléctrica.** As distrações podem causar a perda do controlo da ferramenta.

#### 2. Segurança eléctrica

- a. **As fichas da ferramenta eléctrica devem caber na tomada. Nunca modifique a ficha de forma alguma. Não utilize fichas adaptadoras com ferramentas eléctricas ligadas à terra.** As fichas não modificadas e as tomadas compatíveis reduzem o risco de choque eléctrico.
- b. **Evite que o corpo entre em contacto com superfícies ligadas à terra, como tubos, radiadores, fogões e frigoríficos.** Se o seu corpo estiver "ligado" à terra, o risco de choque eléctrico é maior.
- c. **As ferramentas eléctricas não podem ser expostas a chuva nem humidade.** A entrada de água numa ferramenta eléctrica aumenta o risco de choque eléctrico.
- d. **Manuseie o cabo com cuidado. Nunca o utilize para transportar, puxar ou desligar a ferramenta eléctrica. Mantenha o cabo afastado de fontes de calor, substâncias oleosas, arestas aguçadas ou peças**

**móveis.** Os cabos danificados ou emaranhados aumentam o risco de choque eléctrico.

- e. **Quando trabalhar com uma ferramenta eléctrica ao ar livre, utilize um cabo de extensão apropriado para esse fim.** A utilização de um cabo adequado para uso ao ar livre reduz o risco de choque eléctrico.
- f. **Se for inevitável trabalhar com uma ferramenta eléctrica num local húmido, utilize um dispositivo de corrente residual (DCR).** A utilização de um DCR reduz o risco de choque eléctrico.

#### 3. Segurança pessoal

- a. **Mantenha-se alerta, tenha atenção ao que está a fazer e seja cuidadoso quando trabalhar com a ferramenta eléctrica.**  
**Não utilize uma ferramenta eléctrica quando estiver cansado ou sob o efeito de drogas, álcool ou medicamentos.** Um momento de distração durante a utilização de ferramentas eléctricas poderá resultar em ferimentos graves.
- b. **Utilize equipamento de protecção individual. Use sempre protecção ocular.** O equipamento de protecção, como, por exemplo, uma máscara contra o pó, sapatos de segurança antiderrapantes, um capacete de segurança ou uma protecção auditiva, usado nas condições apropriadas, reduz o risco de ferimentos.
- c. **Evite arranques involuntários. Verifique se o gatilho da ferramenta está na posição de desligado antes de ligá-la à fonte de alimentação e/ou à bateria, segurar ou transportar a ferramenta.** Se mantiver o dedo no gatilho quando transportar ferramentas eléctricas ou se ligá-las à fonte de alimentação com o gatilho ligado, poderá originar acidentes.
- d. **Retire eventuais chaves de ajuste ou chaves de fendas antes de ligar a ferramenta eléctrica.** Uma chave de porcas ou chave de ajuste deixada numa peça móvel da ferramenta poderá resultar em ferimentos.
- e. **Não tente chegar a pontos fora do alcance. Mantenha-se sempre bem posicionado e equilibrado.** Desta forma, será mais fácil controlar a ferramenta eléctrica em situações inesperadas.
- f. **Use vestuário adequado. Não use roupa larga ou jóias. Mantenha o cabelo, a roupa e as luvas afastados das peças móveis.** As roupas largas, as jóias ou o cabelo comprido podem ficar presos nestas peças.
- g. **Se for prevista a montagem de dispositivos de extracção e recolha de pó, assegure-se de que estão ligados e que são utilizados de forma correcta.** A utilização de dispositivos de extracção de partículas pode reduzir os riscos relacionados com as mesmas.
- h. **Não permita que a familiaridade resultante da utilização frequente de ferramentas lhe permita ser complacente e ignorar os princípios de segurança da**



**ferramenta.** Uma acção descuidada pode causar ferimentos graves numa fracção de segundo.

#### 4. Utilização e cuidados a ter com a ferramenta

- a. **Não sobrecarregue a ferramenta eléctrica.** Utilize a ferramenta eléctrica correcta para o seu trabalho. A ferramenta eléctrica adequada irá efectuar o trabalho de um modo mais eficiente e seguro se for utilizada de acordo com a capacidade para a qual foi concebida.
- b. **Não utilize a ferramenta eléctrica se o gatilho não puder ser ligado nem desligado.** Qualquer ferramenta eléctrica que não possa ser controlada através do gatilho é perigosa e tem de ser reparada.
- c. **Desligue a ficha da tomada e/ou a bateria da ferramenta eléctrica antes de proceder a ajustes, trocar acessórios ou guardar ferramentas eléctricas.** Estas medidas de segurança preventivas reduzem o risco de ligar a ferramenta eléctrica acidentalmente.
- d. **Mantenha as ferramentas eléctricas que não estiverem a ser utilizadas fora do alcance das crianças. Não permita que a ferramenta eléctrica seja utilizada por pessoas não familiarizadas com a mesma ou que não tenham lido estas instruções.** As ferramentas eléctricas são perigosas nas mãos de pessoas que não possuam as qualificações necessárias para as manusear.
- e. **Manutenção de ferramentas eléctricas e acessórios.** Verifique se as peças móveis da ferramenta eléctrica estão alinhadas e não emperram, se existem peças partidas ou danificadas ou quaisquer outras condições que possam afectar o funcionamento da mesma. Se a ferramenta eléctrica estiver danificada, só deve ser utilizada depois de ser reparada. Muitos acidentes têm como principal causa ferramentas eléctricas com uma manutenção insuficiente.
- f. **Mantenha as ferramentas de corte afiadas e limpas.** As ferramentas de corte sujeitas a uma manutenção adequada, com arestas de corte afiadas, emperram com menos frequência e controlam-se com maior facilidade.
- g. **Utilize a ferramenta eléctrica, acessórios e peças de ferramenta de acordo com estas instruções, considerando as condições de trabalho e a tarefa a ser executada.** A utilização da ferramenta eléctrica para fins diferentes dos previstos poderá resultar em situações perigosas.

- h. **Mantenha os punhos e as superfícies de fixação secos, limpos e sem óleo ou graxa. Punhos e superfícies de preensão escorregadios não permitem o manuseamento e o controlo seguros em situações inesperadas.**

#### 5. Utilização e cuidados a ter com a ferramenta com baterias

- a. **Carregue apenas com o carregador especificado pelo fabricante.** Um carregador adequado para um tipo de bateria pode causar um incêndio se for utilizado com outra bateria.
- b. **Utilize ferramentas eléctricas apenas com baterias específicas.** A utilização de outras baterias pode dar origem a risco de danos e incêndio.
- c. **Quando não utilizar a bateria, mantenha-a afastada de outros objectos metálicos, tais como cliques para papel, moedas, chaves, pregos, parafusos ou outros pequenos objectos metálicos que permitam fazer a ligação de um terminal para outro.** O curto-circuito de terminais de bateria pode causar queimaduras ou incêndio.
- d. **Em condições abusivas, pode derramar líquido da bateria, devendo evitar o contacto. Se tocar acidentalmente no líquido, lave bem com água. Se o líquido entrar em contacto com os olhos, consulte um médico.** O líquido derramado da bateria pode causar irritação ou queimaduras.

#### 6. Assistência

- a. **A ferramenta eléctrica só deve ser reparada por técnicos qualificados e só devem ser colocadas peças sobressalentes originais.** Desta forma, é garantida a segurança da ferramenta eléctrica.
- b. **Nunca repare BATERIAS danificadas. A reparação de BATERIAS danificadas só deve ser efectuada pelo fabricante ou por fornecedores de serviços autorizados.**

#### Avisos de segurança adicionais relativos a ferramentas eléctricas



**Atenção!** Avisos de segurança adicionais para chave de impacto

- ◆ **Utilize protecção auditiva com berbequins de percussão.** A exposição ao ruído pode causar perda auditiva.
- ◆ **Utilize os punhos auxiliares fornecidos com a ferramenta.** A perda de controlo pode causar lesões pessoais.
- ◆ **Segure a ferramenta eléctrica pelas áreas de fixação isoladas quando executar uma operação em que o fecho possa entrar em contacto com a cablagem oculta.** Os agrafos que entrem em contacto com um fio com tensão eléctrica poderão fazer com que as peças de metal expostas da ferramenta conduzam electricidade e electrocutem o utilizador.
- ◆ **Utilize grampos ou outro sistema prático para fixar e apoiar a peça numa plataforma estável.** Segurar a peça com a mão ou contra o corpo pode causar instabilidade e perda de controlo.

- ◆ Esta ferramenta não deve ser utilizada por pessoas (incluindo crianças) que apresentem capacidades físicas, sensoriais ou mentais reduzidas ou que não possuam os conhecimentos e a experiência necessários, excepto se forem vigiadas e instruídas acerca da utilização do equipamento por uma pessoa responsável pela sua segurança. As crianças devem ser vigiadas para que não mexam no equipamento.
- ◆ A utilização pretendida está descrita neste manual de instruções. A utilização de qualquer acessório ou a realização de qualquer operação com este equipamento que não se inclua no presente manual de instruções poderá representar um risco de ferimentos pessoais e/ou danos materiais.



**Atenção!** As chaves de impacto não são chaves de impacto de aperto. Não utilize esta ferramenta para apertar fixadores segundo binários especificados. Deverá ser utilizado um dispositivo de medição de binário independente, como uma chave dinamométrica, quando o aperto insuficiente ou excessivo de fixadores for passível de originar a falha das junções.

### Segurança de outras pessoas

- ◆ Este aparelho não deve ser utilizado por pessoas (incluindo crianças) que apresentem capacidades físicas, sensoriais ou mentais reduzidas ou que não possuam os conhecimentos e a experiência necessários, excepto se forem vigiadas e instruídas acerca da utilização do aparelho por uma pessoa responsável pela sua segurança.
- ◆ As crianças devem ser vigiadas para que não mexam no equipamento.

### Riscos residuais

Quando utilizar a ferramenta, podem ocorrer riscos residuais adicionais que não constam nos avisos de segurança incluídos. Estes riscos podem resultar de má utilização, uso prolongado, etc.

Mesmo após o cumprimento dos regulamentos de segurança relevantes e a implementação de dispositivos de segurança, alguns riscos residuais não podem ser evitados. Estes incluem:

- ◆ Ferimentos causados pelo contacto com peças em rotação/movimento.
- ◆ Ferimentos causados durante a troca de peças, lâminas ou acessórios.
- ◆ Ferimentos causados pela utilização prolongada de uma ferramenta. Quando utilizar uma ferramenta durante períodos prolongados, certifique-se de que faz pausas regularmente.
- ◆ Danos auditivos.
- ◆ Os problemas de saúde causados pela inalação de poeiras resultantes da utilização da ferramenta (exemplo:

trabalhos em madeira, especialmente carvalho, faia e MDF).

### Vibração

Os valores de emissão de vibração declarados na secção de dados técnicos e na declaração de conformidade foram medidos de acordo com o método de teste padrão fornecido pela EN62841 e podem ser utilizados para comparar ferramentas. O valor de emissão de vibração pode ser também utilizado numa avaliação precoce à exposição.

**Atenção!** O valor de emissão de vibração durante a utilização da ferramenta eléctrica pode ser diferente do valor declarado, dependendo da maneira como a ferramenta é utilizada. O nível de vibração pode aumentar para um valor superior ao indicado.

Quando avaliar a exposição a vibração para determinar as medidas de segurança exigidas pela norma 2002/44/CE para proteger as pessoas que utilizam ferramentas eléctricas com frequência, deve ser efectuada uma estimativa da exposição a vibração, as condições de utilização e a maneira como a ferramenta é utilizada, incluindo a consideração todas as fases do ciclo de funcionamento, por exemplo, o número de vezes que a ferramenta é desligada e quando funciona ao ralento, além do tempo de accionamento.

### Etiquetas colocadas na ferramenta

Os seguintes pictogramas, assim como o código de data, estão indicados na ferramenta:



**Atenção!** Para reduzir o risco de ferimentos, o utilizador deve ler o manual de instruções.



Utilize protecção auditiva com berbequins de percussão. A exposição ao ruído pode causar perda auditiva



Não olhe fixamente para a luz de funcionamento

### Instruções de segurança adicionais para baterias e carregadores

#### Baterias

- ◆ Nunca tente abrir a bateria, seja qual for o motivo.
- ◆ Não exponha a bateria à água.
- ◆ Não a armazene em locais onde a temperatura possa exceder os 40 °C.
- ◆ Carregue apenas a temperaturas ambiente entre 10 °C e 40 °C.
- ◆ Carregue apenas com o carregador fornecido com a ferramenta.
- ◆ Quando eliminar as baterias, siga as instruções da secção "Protecção do ambiente".

## Carregadores

- ◆ Utilize o carregador STANLEY FAT MAX apenas para carregar a bateria na ferramenta fornecida. Outras baterias podem rebentar, provocando ferimentos e danos.
- ◆ Nunca tente carregar baterias não recarregáveis.
- ◆ Substitua os cabos defeituosos imediatamente.
- ◆ Não exponha o carregador à água.
- ◆ Não abra o carregador.
- ◆ Não manipule o interior do carregador.



O carregador deve ser utilizado apenas em espaços interiores.



Leia o manual de instruções antes da utilização.



Não tente carregar baterias danificadas.

## Segurança eléctrica

O carregador tem um isolamento duplo, pelo que não é necessário um fio de terra.



Verifique sempre se a tensão de alimentação corresponde à tensão indicada na placa sinalética. Nunca substitua a unidade do carregador por uma tomada de alimentação normal.

- ◆ Se o cabo de alimentação estiver danificado, deve ser substituído pelo fabricante ou por um centro de assistência autorizado STANLEY FAT MAX para evitar acidentes.

## Características

Esta ferramenta inclui algumas ou todas as características seguintes.

1. Gatilho de velocidade variável
2. Patilha para a frente/para trás
3. Mandril
4. Anel do mandril
5. Bateria
6. Luz de trabalho LED

## Fig. A

7. Carregador
8. Indicador de carga

## Montagem

**Atenção!** Antes de montar, remova a bateria da ferramenta.

### Colocar e remover a bateria (Fig. B)

- ◆ Para colocar a bateria (5), alinha-a com o receptáculo na ferramenta. Faça deslizar a bateria para dentro do receptáculo e puxe até que a bateria se encaixe devidamente.
- ◆ Para remover a bateria, pressione as patilhas de desbloqueio (5a) enquanto retira, ao mesmo tempo, a bateria do receptáculo.

### Colocar e retirar uma ponta ou a chave da aparafusadora (Fig. C)

Esta ferramenta inclui um mandril de libertação rápida para facilitar a troca de pontas.

**Atenção!** Antes de retirar ou instalar acessórios, certifique-se de que a ferramenta está bloqueada para impedir a activação accidental do interruptor de funcionamento.

- ◆ Bloqueie a ferramenta colocando a patilha para a frente/ para trás (2) na posição central.
- ◆ Puxe e mantenha seguro o anel do mandril (4) no sentido contrário à parte frontal da ferramenta.
- ◆ Insira o veio de pontas (8) no mandril (3).
- ◆ Liberte o anel. O acessório é fixo no local.

**Nota!** Para retirar a ponta/bocal, repita os passos descritos acima.

**Atenção!** Utilize apenas chaves de impacto. As chaves que não sejam de impacto podem partir-se e dar origem a uma situação de perigo. Inspeccione a tomada antes de a utilizar para garantir que não tem rachas.

### Utilize a lâmina sobresselente da

**Atenção!** Deixe a ferramenta funcionar ao seu próprio ritmo. Não a sobrecarregue.

### Carregar a bateria (Fig. A)

A bateria tem de ser carregada antes da primeira utilização e sempre que não conseguir produzir energia suficiente em trabalhos habitualmente feitos sem dificuldade. A bateria pode aquecer quando carregar; isto é normal e não indica um problema.

**Atenção!** Não carregue a bateria a temperaturas ambiente inferiores a 10 °C ou superiores a 40 °C. Temperatura de carregamento recomendada: aproximadamente 24 °C.

**Nota: O carregador não irá carregar a bateria se a temperatura das células for inferior a 10 °C ou superior a 40 °C. A bateria não deve ser retirada do carregador para que este comece a carregar automaticamente quando a temperatura das células aquecer ou arrefecer.**

- ◆ Para carregar a bateria (5), insira-a no carregador (7). A bateria só pode ser encaixada no carregador de uma forma. Não force o movimento de corte. Certifique-se de que a bateria está completamente introduzida no carregador.
- ◆ Ligue o carregador e ligue-o à corrente.

O indicador de carga (8) ficará intermitente a verde de forma contínua (lento).

O carregamento está concluído quando o indicador de carga (8) ficar verde de forma contínua. O carregador e a bateria podem ser deixados ligados indefinidamente com o LED aceso. O LED irá mudar para o estado de intermitente a verde (a carregar) à medida que o carregador ocasionalmente preenche a carga da bateria. O indicador de carga (8) ficará aceso enquanto a bateria estiver fixa ao carregador ligado na tomada.

- ◆ As baterias descarregadas devem ser carregadas no intervalo de 1 semana. A vida útil de uma bateria diminuirá muito se for guardada descarregada.

### Deixar a bateria no carregador

O carregador e a bateria podem permanecer ligados com o LED aceso indefinidamente. O carregador vai manter a bateria completamente carregada.

### Diagnóstico do carregador

Se o carregador detectar que a bateria está fraca ou danificada, o indicador de carga (8) ficará vermelho em modo intermitente rápido. Proceda da seguinte forma:

- ◆ Inspira novamente a bateria (5).
- ◆ Se os indicadores de carga continuarem a piscar rapidamente a vermelho, utilize uma bateria diferente para determinar se o processo de carga está a funcionar correctamente.
- ◆ Se a bateria substituída carregar correctamente, isso significa que a bateria original está defeituosa e deve ser entregue num centro de assistência para reciclagem.
- ◆ Se a bateria nova apresentar a mesma indicação do que a bateria original, entregue o carregador num centro de assistência autorizado para ser testado.

**Nota: Determinar se a bateria está defeituosa pode demorar até 60 minutos. Se a bateria estiver demasiado quente ou fria, o LED piscará alternadamente de modo rápido e lento, piscando uma vez a cada velocidade e repetindo o processo.**

### Seleccionar a direcção de rotação (Fig. D)

Para aparafusar, utilize a rotação para a frente (no sentido dos ponteiros do relógio). Para desaparafusar, utilize a rotação para trás (no sentido contrário ao dos ponteiros do relógio).

- ◆ Para seleccionar a rotação de avanço, empurre a patilha para a frente/para trás (2) para a esquerda.
- ◆ Para seleccionar a rotação de recuo, empurre a patilha para a frente/para trás para a direita.
- ◆ Para bloquear a ferramenta, coloque a patilha para a frente/para trás na posição central.

### Aparafusamento de parafusos/porcas

- ◆ Seleccione a ponta/bocal para o parafuso ou porca a utilizar.
- ◆ Seleccione a rotação para a frente ou para trás, conforme descrito acima.
- ◆ Segure a ferramenta alinhada com o fixador.
- ◆ Depois de aparafusar, verifique o nível de aperto com uma chave dinamométrica.

### Luz de trabalho LED

A luz de trabalho LED (6) é activada automaticamente quando o gatilho é libertado. A luz de trabalho LED acende-se quando

o gatilho é parcialmente libertado, antes de a unidade entrar em funcionamento.

### Sugestões para uma utilização ideal

#### Aparafusar

- ◆ Utilize sempre o tipo e tamanho de brocas para aparafusadora correctos.
- ◆ Se os parafusos forem de difícil aperto, aplique uma pequena quantidade de líquido de lavagem ou sabão como lubrificante.
- ◆ Segure sempre a ferramenta e a broca da aparafusadora em linha recta com o parafuso.

#### Manutenção

A sua ferramenta Stanley Fat Max foi concebida para funcionar por um longo período de tempo com uma manutenção mínima. Uma utilização continuamente satisfatória depende de uma manutenção adequada da ferramenta e de uma limpeza frequente.

O carregador não requer manutenção, além do processo de limpeza normal.

**Atenção!** Antes de ser realizada qualquer operação de manutenção na ferramenta, remova a bateria da ferramenta.

Desligue o carregador antes de o limpar.

- ◆ Limpe com frequência as aberturas de ventilação da ferramenta e do carregador com uma escova suave ou um pano seco.
- ◆ Limpe com frequência o compartimento do motor com um pano húmido. Não utilize produtos de limpeza abrasivos ou à base de solventes.
- ◆ Abra o mandril regularmente e sacuda para remover qualquer vestígio de pó do seu interior.

#### Proteger o meio ambiente



Faça uma recolha de lixo selectiva. Os produtos e as baterias assinalados com este símbolo não devem ser eliminados em conjunto com os resíduos domésticos normais.

Os produtos e as baterias contêm materiais que podem ser recuperados ou reciclados, reduzindo assim a necessidade de matérias-primas.

Recicle os produtos eléctricos e as baterias de acordo com as disposições locais. Estão disponíveis mais informações em [www.2helpU.com](http://www.2helpU.com)

#### Dados técnicos

		FMC041
Tensão	V <sub>cc</sub>	10,8
Velocidade sem carga	Min. <sup>-1</sup>	0 - 2500
Batimentos	BPM	0 - 3400

		FMC041
Binário máx.(método de PTI)	Nm	110
Capacidade do mandril	mm	6 (sextavado)
Peso	kg	1,0

Carregador		N472239/N472243
Tensão de entrada	$V_{CA}$	230
Tensão de saída	$V_{CC}$	22
Corrente	A	1,25
Tempo de carga aprox.	min	70 (1,5 AH)

Bateria		FMC086L
Tensão	$V_{CC}$	10,8
Capacidade	Ah	1,5
Tipo		lões de lítio

Nível de pressão sonora de acordo com EN 62841:
Pressão sonora ( $L_{pA}$ ) 91,5 dB(A), variabilidade (K) 5 dB(A)
Potência acústica ( $L_{WA}$ ) 102,5 dB(A), variabilidade (K) 5 dB(A)

Valores totais de vibração (soma de vectores triax) de acordo com EN 62841:
Aparafusar com percussão ( $a_h$ ): 12,9 $m/s^2$ , variabilidade (K): 1,5 $m/s^2$

## Declaração de conformidade da CE

DIRECTIVA "MÁQUINAS"



Chave de impacto sem fio - FMC041

A STANLEY Europe declara que os produtos descritos em "dados técnicos" estão em conformidade com as seguintes normas:

2006/42/CE, EN62841-1:2015, EN62841-2-2:2014.

Estes produtos também estão em conformidade com as Directivas 2014/30/UE e 2011/65/UE.

Para obter mais informações, contacte a Stanley Fat Max na morada indicada a seguir ou consulte o verso do manual.

O abaixo assinado é responsável pela compilação do ficheiro técnico e faz esta declaração em nome da Stanley Europe.

*Patrick Diepenbach*

Patrick Diepenbach  
 Director-Geral, Benelux  
 Stanley Fat Max,  
 Egide Walschaertsstraat 14-18  
 2800 Mechelen, Bélgica  
 27/07/2020

## Garantia

A Stanley Fat Max confia na qualidade dos seus produtos e oferece aos clientes uma garantia de 12 meses a partir da data de compra. Esta garantia é um complemento dos seus direitos estabelecidos por lei e não os afecta de forma alguma. A garantia é válida nos Estados-membros da União Europeia e nos países-membros da Zona Europeia de Comércio Livre.

Para accionar a garantia, esta deve estar em conformidade com os termos e condições da Stanley Fat Max e terá de apresentar comprovativos de compra ao vendedor ou a um agente de reparação autorizado. Os termos e condições da garantia de 1 ano da Stanley Fat Max e a localização do agente de reparação autorizado mais próximo podem ser obtidos na Internet em [www.2helpU.com](http://www.2helpU.com) ou contactando uma filial da Stanley Fat Max, cuja morada está indicada neste manual.

Visite o nosso Website [www.blackanddecker.co.uk](http://www.blackanddecker.co.uk) para registar o seu novo produto Stanley Fat Max e receber actualizações sobre novos produtos e ofertas especiais.

## Avsedd användning

Din Stanley Fat Max FMC041 slagskruvdragare är avsedd för skruv- och mutterdragning. Verktøget är avsett för yrkesanvändare och privatkonsumenter.

## Säkerhetsinstruktioner

### Allmänna säkerhetsvarningar för elverktyg



**Varning! Läs alla säkerhetsvarningar, instruktioner, illustrationer och specifikationer som levereras med detta elverktyg.**

Fel som uppstår till följd av att säkerhetsanvisningarna och anvisningarna nedan inte följts kan orsaka elstöt, brand och/eller allvarliga kroppsskador.

**Spara alla varningar och instruktioner för framtida referens.** Termen "elverktyg" i varningarna syftar på ditt starkströmsdrivna (sladdanslutna) elverktyg eller batteridrivna (sladdlösa) elverktyg.

#### 1. Säkerhet vid arbetsområdet

- Se till att arbetsområdet är rent och väl belyst.** Belamrade eller mörka områden inbjuder till olyckor.
- Använd inte elverktyget i explosionsfarlig omgivning, t.ex. i närheten av brännbara vätskor, gaser eller damm.** Elektriska verktyg ge upphov till gnistor som kan antända dammet eller ångorna.
- Håll barn och andra obehöriga personer på avstånd vid arbete med elverktyget.** Distractioner kan göra att du förlorar kontrollen.

#### 2. Elektrisk säkerhet

- Elverktygets stickkontakt måste passa i eluttaget. Modifiera aldrig kontakten på något sätt. Använd inte några adapterkontakter med jordanslutna (jordade) elektriska verktyg.** Icke modifierade kontakter och matchande uttag minskar risken för elektrisk stöt.
- Undvik kroppskontakt med jordade ytor, t.ex. rör, värmelement, spisar och kylskåp.** Det finns en ökad risk för elektrisk stöt om din kropp är jordansluten eller jordad.
- Utsätt inte elverktyget för regn eller våta omgivelningar.** Vatten som kommer in i ett elverktyg ökar risken för elektrisk stöt.
- Hantera nätsladden varsamt. Använd aldrig sladden till att bära, dra eller koppla bort elverktyget från eluttaget. Håll sladden borta från värme, olja, vassa kanter och rörliga delar.** Skadade eller tilltrasslade sladdar ökar risken för elektrisk stöt.
- Använd en förlängnings-sladd som är godkänd för utomhusbruk när du arbetar med elverktyg utomhus.** Användning av en sladd som passar för utomhusanvändning minskar risken för elektrisk stöt.

- Om du måste använda ett elverktyg på en fuktig plats, bör du använda en strömförsörjning med jordfelsbrytare. Användning av en jordfelsbrytare minskar risken för elektrisk stöt.

#### 3. Personlig säkerhet

- Var uppmärksam, se på vad du gör och använd sunt omdöme när du använder elverktyget. Använd inte ett elverktyg när du är trött eller påverkad av droger, alkohol eller medicinering.** Ett ögonblicks uppmärksamhet när du arbetar med elektriska verktyg kan resultera i allvarig personskada.
- Använd personlig skyddsutrustning. Använd alltid skyddsglasögon.** Skyddsutrustning såsom dammskyddsmask, halksäkra säkerhetsskor, skyddshjälm eller hörselskydd som används när förhållandena kräver det minskar risken för personskador.
- Förhindra oavsiktlig start. Se till att strömbrytaren är i frånläge innan du ansluter till strömkällan och/eller batteriet, lyfter upp eller bär verktyget.** Att bära elektriska verktyg med fingret på strömbrytaren eller att koppla strömmen till elektriska verktyg som har strömbrytaren på är att provocera olyckor.
- Ta bort alla inställningsverktyg och skruvnycklar innan du startar elverktyget.** En skiftnyckel eller en nyckel som sitter kvar på en roterande del av elverktyget kan resultera i personskada.
- Sträck dig inte för mycket. Ha ordentligt fotfäste och balans hela tiden.** Detta möjliggör bättre kontroll av elverktyget i oväntade situationer.
- Bär lämpliga kläder. Bär inte lösa kläder eller smycken. Håll hår, beklädnad och handskar borta från delar i rörelse.** Lösa kläder, smycken eller långt hår kan fastna i rörliga delar.
- Om elverktyget har dammsugnings- och uppsamlingsutrustning kontrollera du att den är monterad och används på korrekt sätt.** Användning av dammsugning kan minska dammrelaterade faror.
- Bli inte världslos och ignorera inte säkerhetsprinciperna trots att du är van att använda verktyg.** Värdslost handlande kan leda till allvarlig kroppsskada på en bråkdel av en sekund.

#### 4. Användning och skötsel av elverktyg

- Överbelasta inte elverktyget. Använd det korrekta elverktyget för ditt arbete.** Rätt elverktyg gör arbetet bättre och säkrare vid den hastighet som det har konstruerats för.
- Använd inte elverktyget om det inte kan startas och stängas av med strömbrytaren.** Ett elverktyg som inte kan kontrolleras med strömbrytaren är farligt och måste repareras.
- Dra stickkontakten ur vägguttaget och/eller ta ut batteriet ur elverktyget innan inställningar görs,**



tillbehör delar byts ut eller elverktyget ställs undan. Sådana förebyggande säkerhetsåtgärder minskar risken att oavsiktligt starta elverktyget.

- d. **Förvara elverktyg utom räckhåll för barn. Låt inte personer som inte är vana vid elverktyget eller som inte läst denna bruksanvisning använda det.** Elektriska verktyg är farliga i händerna på utbildade användare.
  - e. **Underhåll elverktyg och tillbehör. Kontrollera för feljustering eller om rörliga delar har fastnat, bristning hos delar och andra eventuella förhållanden som kan komma att påverka elverktygets funktion. Om det är skadat, se till att elverktyget blir reparerat före användning.** Många olyckor orsakas av dåligt underhållna elektriska verktyg.
  - f. **Håll kapverktyg vassa och rena.** Det finns mindre risk att ordentligt skötta kapningsverktyg med vassa blad fastnar och de är lättare att kontrollera.
  - g. **Använd elverktyg, tillbehör, bits m.m. enligt dessa anvisningar, samtidigt som arbetsförhållandena och det arbete som ska utföras beaktas.** Användningen av elverktyget för andra verksamheter än de som det är avsett för skulle kunna resultera i en farlig situation.
  - h. **Se till att handtagen och greppytorna är torra och fria från olja och fett. Håll handtag och greppytor förhindrar säker hantering och kontroll av verktyget i oväntade situationer.**
5. **Användning och skötsel av batteridrivet verktyg**
    - a. **Ladda endast med den laddare som är specificerad av tillverkaren.** En laddare som passar en batterityp kan medföra brandrisk om den används ihop med ett annat batteri.
    - b. **Använd endast de batteri som är speciellt avsedda för elverktyget.** Användning av andra batterier kan leda till personskador eller eldsvåda.
    - c. **När batteriet inte används ska du hålla det åtskilt från metallföremål som gem, mynt, nycklar, spik, skruvar och andra små metallföremål som kan orsaka kortslutning mellan batteriets poler.** Kortslutning av batteripolerna kan leda till brännskador eller eldsvåda.
    - d. **Under olämpliga förhållanden kan vätska spruta ut från batteriet. Undvik kontakt. Vid oavsiktlig kontakt, spola med vatten. Om vätskan kommer i kontakt med ögonen, sök också läkarhjälp.** Vätska som sprutar ur batteriet kan orsaka sveda och brännskador.
  6. **Service**
    - a. **Låt en kvalificerad reparatör som bara använder originaldelar utföra service på elverktyget. Detta säkerställer att elverktygets säkerhet behålls.**

- b. **Gör aldrig service på skadade batterier. Service av BATTERI bör endast genomföras av tillverkaren eller auktoriserade tjänsteleverantörer.**

### Kompletterande säkerhetsvarningar för elverktyg



**Varning!** Ytterligare säkerhetsanvisningar för slagskruvdragare

- ◆ **Bär hörselskydd när du använder slagborrar.** Att utsättas för buller kan leda till hörselskador.
- ◆ **Använd extrahandtagen som medföljer verktyget.** Tappad kontroll kan orsaka personskador.
- ◆ **Håll elverktyget i de isolerade greppytorna vid arbete där fästnanordningen riskerar att komma i kontakt med dolda elledningar.** Fästdon som kommer i kontakt med en strömförande ledning kan göra att exponerade metalldelar hos elverktyget blir strömförande och kan ge användaren en elektrisk stöt.
- ◆ **Använd klämmor eller något annat praktiskt sätt att stödja arbetsstycket vid ett stabilt underlag.** Att hålla arbetet för hand eller mot kroppen är instabilt och kan göra att du förlorar kontrollen.
- ◆ **Denna apparat får inte användas av personer (inklusive barn) med nedsatt fysisk eller mental förmåga eller bristande erfarenhet och kunskap, om de inte övervakas och får vägledning om användningen av apparaten av en person som ansvarar för deras säkerhet.** Barn ska hållas under uppsikt så att de inte leker med apparaten.
- ◆ **Avsedd användning beskrivs i denna bruksanvisning.** Om andra tillbehör eller tillsatser används eller om någon annan åtgärd än de som rekommenderas i den här bruksanvisningen utförs med verktyget kan personer och/eller egendom skadas.



**Varning!** slagskruvdragare är inte momentnycklar. Använd inte det här verktyget för att dra åt fästnanordningar till ett angivet vridmoment. En särskild, kalibrerad enhet för mätning av vridmoment som en momentnyckel ska användas när för liten åtdragning eller för stor åtdragning av fästnanordningar kan leda till att fogen brister.

### Säkerhet för andra

- ◆ **Verktyget ska inte användas av personer (inklusive barn) med nedsatt fysisk eller mental förmåga eller bristande erfarenhet och kunskap om de inte får vägledning och övervakas av en person som ansvarar för deras säkerhet.**
- ◆ **Barn ska hållas under uppsikt så att de inte leker med apparaten.**

### Återstående risker

När verktyget används kan återstående risker som inte nämns i de medföljande säkerhetsvarningarna uppstå. Dessa



risker kan uppstå på grund av felaktig användning, långvarig användning etc.

Trots att de relevanta säkerhetsbestämmelserna tillämpas och säkerhetsanordningarna används kan vissa återstående risker inte undvikas. Dessa omfattar:

- ◆ Skador orsakade av att roterande/rörliga delar vidrörs.
- ◆ Skador som uppstår vid byte av delar, blad eller tillbehör.
- ◆ Skador som orsakas av långvarig användning av ett verktyg. När du använder ett verktyg under en längre bör du ta regelbundna pauser.
- ◆ Hörselnedsättning.
- ◆ Hälsorisker orsakade av inandning av damm när verktyget används (exempel: arbete med trä, särskilt ek, bok och MDF).

## Vibrationer

De vibrationsvärden som anges i avsnitten Tekniska data och deklARATIONEN om överensstämmelse har uppmätts i enlighet med en standardtestmetod föreskriven i EN62841 och kan användas för jämförelse med andra verktyg.

De deklarerade vibrationsvärdena kan också användas för en preliminär bedömning av exponering.

**Varning!** Vibrationsvärdet under faktisk användning av elverktyget kan skilja sig från det deklarerade värdet, beroende på hur verktyget används. Vibrationsnivån kan överstiga den angivna nivån.

Vid bedömningen av vibrationsexponering för att fastställa de säkerhetsåtgärder som enligt 2002/44/EG krävs för att skydda personer som regelbundet använder elverktyg i arbetet, bör man beakta de faktiska användningsförhållandena, hur verktyget används och förutom den tid det är aktiverat, också beakta den tid som verktyget är avstängt och går på tomgång.

## Etiketter på verktyget

Följande symboler tillsammans med datumkod finns på verktyget:



**Varning!** För att minska risken för personskada, måste användaren läsa bruksanvisningen.



Bär hörselskydd när du använder slagborrar.  
Exponering

för buller kan leda till hörselskador



Stirra inte in i arbetslampan

## Ytterligare säkerhetsinstruktioner för batterier och laddare

### Batterier

- ◆ Försök aldrig öppna batteriet.
- ◆ Utsätt inte batteriet för vatten.
- ◆ Förvara inte apparaten på platser där temperaturen kan bli högre än 40 °C.

- ◆ Ladda endast vid temperaturer mellan 10 °C och 40 °C.
- ◆ Ladda endast med hjälp av laddare som medföljer verktyget.
- ◆ Följ instruktionerna i avsnittet "Miljö" när du gör dig av med batterier.

### Laddare

- ◆ Laddaren från STANLEY FAT MAX får bara användas för att ladda batteriet i det verktyg som laddaren levererades med. Andra batterier kan spricka och orsaka personskador och andra skador.
- ◆ Försök aldrig att ladda ej uppladdningsbara batterier.
- ◆ Byt defekta sladdar omgående.
- ◆ Utsätt inte laddaren för vatten.
- ◆ Öppna inte laddaren.
- ◆ Gör ingen åverkan på laddaren.



Adaptorn är endast avsedd för användning inomhus.



Läs bruksanvisningen före användning.



Försök inte ladda skadade batterier.

### Elektrisk säkerhet

Eftersom laddaren är dubbelisolerad behövs ingen jordledare. Kontrollera alltid att nätspänningen överensstämmer med spänningen på typskylten. Försök aldrig byta ut kontakten till laddaren mot en vanlig kontakt.



- ◆ Om nätsladden är skadad, måste den bytas ut av tillverkaren eller en auktoriserad Stanley Fat Max-verkstad för att undvika risker.

### Egenskaper

Detta verktyg har en del av dessa eller alla dessa egenskaper.

1. Variabel hastighetskontroll
2. Framåt-/bakåttreglage
3. Chuck
4. Chuckhylsa
5. Batteri
6. LED-arbetsbelysning

### Bild A

7. Laddare
8. Laddningsindikator

### Montering

**Varning!** Ta ur batteriet innan du sätter ihop verktyget.

## Montera och ta bort batteriet (bild B)

- ◆ Sätt i batteriet (5) genom att placera det i linje med kontakten på verktyget. Skjut in batteriet på dess plats och tryck tills batteriet snäpper på plats.
- ◆ Ta ur batteriet genom att trycka på frigöringsknappen (5a) samtidigt som du drar ut batteriet från dess plats.

## Montera och ta bort en skruvbit eller hylsa (fig. C)

Verktyget är utrustat med en snabbchuck så att du enkelt kan byta bits.

**Varning!** Innan du monterar eller tar bort tillbehör ska du kontrollera att verktyget är låst så att du inte råkar slå på det av misstag.

- ◆ Lås verktyget genom att sätta framåt-/bakåtreglaget (2) i mittenläget.
- ◆ Dra och håll chuckhysan (4) bort från verktygets främre del.
- ◆ Sätt borret (8) i chucken (3).
- ◆ Släpp hysan. Tillbehöret är nu låst på plats.

**Notera!** Upprepa ovanstående steg för att ta bort biten/sockeln.

**Varning!** Använd endast slaghysor. Icke-slaghysor kan brista och utgöra fara. Inspektera hysan innan användning för att garantera att den inte har sprickor.

## Användning

**Varning!** Låt verktyget arbeta i sin egen takt. Överbelasta det inte.

## Ladda batteriet (fig. A)

Batteriet måste laddas innan det används för första gången och sedan varje gång som det inte ger tillräckligt hög effekt för arbeten som annars brukar gå bra. Batteriet kan bli varmt när det laddas. Det är normalt och innebär inte att något är fel.

**Varning!** Ladda inte batteriet om temperaturen i luften är lägre än 10 °C eller högre än 40 °C. Den rekommenderade laddningstemperaturen är cirka 24 °C.

**Notera:** Laddaren laddar inte batteriet om celltemperaturen är lägre än ungefär 10 °C eller högre än 40 °C.

**Batteriet får då sitta kvar i laddaren, som kommer att börja laddningen automatiskt när celltemperaturen har stigit eller sjunkit.**

- ◆ Ladda batteriet (5) genom att sätta det i laddaren (7). Batteriet kan bara placeras i laddaren på ett sätt. Tvinga inte. Se till att batteriet sitter ordentligt i laddaren.
- ◆ Anslut laddaren till vägguttaget.

Laddningsindikatorn (8) börjar blinka grönt (långsamt). När batteriet är laddat lyser laddningsindikatorn (8) med ett grönt fast sken. Batteriet kan sitta kvar i laddaren och laddaren kan vara ansluten till vägguttaget hur länge som helst när indikatorn lyser. Indikatorn kommer emellanåt att börja blinka grönt (laddningsläge) eftersom laddaren då och då fyller på batteriets laddning. Laddningsindikatorn (8) lyser när batteriet sitter i laddaren och laddaren är ansluten till ett eluttag.

- ◆ Urladdade batterier bör laddas inom 1 vecka. Om batterierna inte laddas när de är urladdade försämras batteritiden avsevärt.

## Lämna batteriet i laddaren

Batteriet kan sitta kvar i laddaren och laddaren kan vara ansluten till vägguttaget hur länge som helst när indikatorn lyser. Laddaren ser till att batteriet hålls fräscht och fulladdat.

## Laddardiagnostik

Om laddaren upptäcker ett svagt eller skadat batteri börjar laddningsindikatorn (8) att blinka rött snabbt. Gör så här:

- ◆ Sätt i batteriet (5) igen.
- ◆ Om laddningsindikatorerna fortsätter att blinka rött snabbt kan du använda ett annat batteri för att kontrollera om laddningsprocessen fungerar som den ska.
- ◆ Om det utbytta batteriet kan laddas utan problem är det gamla batteriet defekt och bör lämnas till ett servicecenter för återvinning.
- ◆ Om problemet kvarstår med det nya batteriet bör du ta med laddaren till ett auktoriserat servicecenter.

**Notera: Det kan ta upp till 60 minuter att avgöra om batteriet är defekt. Om batteriet är för varmt eller för kallt blinkar indikatorn omväxlande rött snabbt och långsamt med en blinkning i varje hastighet.**

## Välja rotationsriktning (fig. D)

När du drar åt använder du framåtgående (medurs) rörelse. När du lossar använder du bakåtgående (moturs) rörelse.

- ◆ Du väljer framåtgående rörelse genom att trycka framåt-/bakåtreglaget (2) åt vänster.
- ◆ TDU väljer bakåtgående rörelse genom att trycka framåt-/bakåtreglaget åt höger.
- ◆ Lås verktyget genom att sätta framåt-/bakåtreglaget i mittenläget.

## Skruv-/mutterdragning

- ◆ Välj lämplig bit/hylsa för skruven eller muttern som ska dras.
- ◆ Välj framåt- eller bakåtgående rörelse enligt beskrivningen ovan.
- ◆ Håll verktyget i linje med fästans ordning.
- ◆ Efter åtdragning kontrollerar du vridmomentet med en momentnyckel.

## LED-arbetsbelysning

LED-arbetsbelysningen (6) aktiveras automatiskt när strömbrytaren trycks ned. LED-arbetsbelysningen lyser när strömbrytaren är delvis nedtryckt, innan enheten startar.

## Tips för optimal användning

### Skruvdragning

- ◆ Använd alltid skruvbiter av rätt sort och storlek.
- u Om en skruv är svår att dra åt kan du använda lite diskmedel eller tvål som smörjmedel.

- ◆ Håll alltid verktyget och skruvbiten i en rät linje i förhållande till skruven.

## Underhåll

Detta Stanley Fat Max-verktyg har tillverkats för att fungera under lång tid med ett minimum av underhåll. Kontinuerlig tillfredsställande drift beror på ordentlig verktygsvård och regelbunden rengöring.

Din laddare kräver ingen annan service än regelbunden rengöring.

**Varning!** Ta ut batteriet ur verktyget innan du utför något underhåll på verktyget.

Dra ur sladden till laddaren innan du rengör den.

- ◆ Rengör regelbundet verktygets ventilationsöppningar och laddaren med en mjuk borste eller torr trasa.
- ◆ Rengör motorhöljet regelbundet med en fuktig trasa. Använd en slipande eller lösningsmedelhaltiga rengöringsmedel.
- ◆ Öppna chucken med jämna mellanrum och knacka på den för att avlägsna damm som sitter på insidan.

## Att skydda miljön



Separat insamling. Produkter och batterier märkta med denna symbol får inte kastas med de vanliga hushållssoporna.

Produkter och batterier innehåller material som kan återvinnas och återanvändas för att minska behovet av råmaterial.

Återvinn elektriska produkter och batterier enligt lokala bestämmelser. Närmare information finns tillgänglig på [www.2helpU.com](http://www.2helpU.com)

## Tekniska specifikationer

		FMC041
Spänning	$V_{DC}$	10,8
Varvtal obelastad	$Min^{-1}$	0-2500
Slag	BPM	0 - 3400
Max. vridmoment(PTI-metod)	Nm	110
Chuckkapacitet	mm	6 (Hex)
Vikt	kg	1,0

Laddare		N472239/N472243
Inspänning	$V_{AC}$	230
Utspänning	$V_{DC}$	22
Strömstyrka	A	1,25
Laddningstid cirka	min	70 (1,5 AH)

Batteri		FMC086L
Spänning	$V_{DC}$	10,8
Kapacitet	Ah	1,5
Typ		Litiumjon

### Ljudtrycksnivå enligt EN 62841:

Ljudtryck ( $L_{pA}$ ) 91,5 dB(A), osäkerhet (K) 5 dB(A)

Ljudeffekt ( $L_{WA}$ ) 102,5 dB(A), osäkerhet (K) 5 dB(A)

### Totala vibrationsvärden (vektorsumman av tre axlar) enligt EN 62841:

Fastsättning med slagfunktion ( $a_{h,r}$ ) 12,9  $m/s^2$ , osäkerhet (K) 1,5  $m/s^2$

## EG-försäkran om överensstämmelse

MASKINDIREKTIVET



Sladdlös slagborrmaskin - FMC041

STANLEY Europe garanterar att produkterna som beskrivs under "Tekniska data" uppfyller:

2006/42/EG, EN62841-1:2015, EN62841-2-2:2014.

Dessa produkter uppfyller också direktiv 2014/30/EU och 2011/65/EU.

För ytterligare information, kontakta Stanley Fat Max på följande adress eller se slutet av bruksanvisningen.

Undertecknad är ansvarig för sammanställning av den tekniska filen och gör denna förklaring på Stanley Europes vägnar.

*Patrick Diepenbach*

Patrick Diepenbach  
General Manager, Benelux  
Stanley Fat Max,  
Egide Walschaertsstraat 14-18  
2800 Mechelen, Belgien  
27/07/2020

## Garanti

Stanley Fat Max är säkra på kvaliteten hos denna produkt och erbjuder kunder 12 månaders garanti från inköpsdatumet. Denna garanti är ett tillägg till dina lagstadgade rättigheter och påverkar inte dessa på något sätt. Garantin är giltig områden som tillhör medlemsstaterna i Europeiska unionen och det europeiska frihandelsområdet.

För yrkande under garantin måste yrkandet vara in enlighet med Stanley Fat Max villkor och du kommer att behöva skicka in bevis på köpet till försäljaren eller en auktoriserad reparatör. Villkoren för Stanley Fat Max ettåriga garanti och var du hittar din närmaste auktoriserade reparatör kan erhållas på internet på [www.2helpU.com](http://www.2helpU.com), eller genom att kontakta ditt lokal Stanley Fat Max kontor på adressen som angetts i denna bruksanvisning.

Besök vår webbsida [www.blackanddecker.co.uk](http://www.blackanddecker.co.uk) för att registrera din nya Stanley Fat Max-produkt samt för att få information om nya produkter och specialerbjudanden.

## Tiltenkt bruk

Stanley Fat Max FMC041 slagtrekker er konstruert for bruk som skrutrekker og til å feste muttere. Dette verktøyet er tiltenkt både fagarbeidere og private brukere.

## Sikkerhetsinstruksjoner

### Generelle sikkerhetsadvarsler for elektriske verktøy



**Advarsel! Les alle sikkerhetsanvisninger, instruksjoner, illustrasjoner og spesifikasjoner som følger dette elektriske verktøyet.** Hvis advarslene og anvisningene nedenfor ikke overholdes, kan det medføre elektrisk støt, brann og/eller alvorlige personskader.

### Lagre alle advarsler og instruksjoner for fremtidig bruk.

Uttrykket "elektrisk verktøy" i advarslene henviser til ditt strøm-drevne (med ledning) elektriske verktøy eller ditt batteridrevne (uten ledning) elektriske verktøy.

#### 1. Sikkerhet på arbeidsområdet

- Hold arbeidsområdet rent og godt opplyst.** Rotete eller mørke områder er en invitasjon til ulykker.
- Ikke arbeid med elektroverktøy i eksplosjonsfarlige omgivelser, for eksempel der det befinner seg brennbare væsker, gass eller støv.** Elektriske verktøy skaper gnister som kan antenne støv eller gasser.
- Hold barn og andre personer unna når du bruker et elektroverktøy.** Distraksjoner kan føre til at du mister kontrollen.

#### 2. Elektrisk sikkerhet

- Støpselet til verktøyet må passe til stikkkontakten. Aldri modifierer støpselet på noen måte. Ikke bruk adaptere med jordede elektriske verktøy.** Umodifiserte støpsler og stikkontakter som passer vil redusere risikoen for elektrisk støt.
- Unngå kroppskontakt med jordede overflater som rør, radiatorer, komfyrer og kjøleskap.** Det er økt risiko for elektrisk støt dersom kroppen din er jordat.
- Ikke utsett elektroverktøy for regn eller fuktighet.** Dersom det kommer vann inn i et elektrisk verktøy vil det øke risikoen for elektrisk støt.
- Unngå uforvarlig behandling av ledningen. Aldri bruk ledningen til å bære, trekke eller dra ut støpselet til det elektriske verktøyet. Hold ledningen borte fra varme, olje, skarpe kanter eller bevegelige deler.** Skadede eller flokede ledninger øker risikoen for elektrisk støt.
- Når du bruker et elektroverktøy utendørs, må du bruke en skjøteledning som er egnet til utendørs bruk.** Bruk av en skjøteledning beregnet for utendørs bruk reduserer risikoen for elektrisk støt.

- Hvis du ikke kan unngå å bruke elektroverktøy på et fuktig sted, må du bruke en strømforsyning som er beskyttet med jordfeilbryter (RCD).** Bruk av jordfeilbryter (RCD) reduserer risikoen for elektrisk støt.

#### 3. Personlig sikkerhet

- Vær oppmerksom, pass på hva du gjør, og vis fornuft når du arbeider med et elektroverktøy. Ikke bruk et elektrisk verktøy dersom du er trøtt eller er påvirket av medikamenter, narkotika eller alkohol.** Ett øyeblikks uoppmerksomhet under bruk av elektriske verktøy kan føre til alvorlig personskade.
  - Bruk personlig verneutstyr. Bruk alltid vernebriller.** Verneutstyr slik som støvmaske, skliskre vernesko, hjelm, eller hørselsvern brukt under passende forhold vil redusere personskader.
  - Forhindre utilsiktet start. Sikre at bryteren er i av-stillingen før du kobler til strømkilden og/eller batteripakken, plukker opp eller bærer verktøyet.** Å bære elektriske verktøy med fingeren på bryteren eller å sette inn støpselet mens elektriske verktøy har bryteren på øker faren for ulykker.
  - Fjern eventuelt innstillingsverktøy eller skruverktøy før du slår på elektroverktøyet.** En nøkkel som er festet til en roterende del av det elektriske verktøyet kan føre til personskade.
  - Ikke strekk deg for langt. Ha godt fotfeste og stå støtt hele tiden.** Dette fører til at du har bedre kontroll over det elektriske verktøyet ved uventede situasjoner.
  - Bruk egnede klær. Ikke ha på deg løstsittende klær eller smykker. Hold hår, antrekk og hansker borte fra bevegelige deler.** Løstsittende klær, smykker og langt hår kan bli fanget opp av bevegelige deler.
  - Hvis det kan monteres støvavsug- og oppsamlingsinnretninger, må du forvise deg om at disse er tilkoblet og brukes på riktig måte.** Bruk av støvopsamlere kan redusere støvrelaterte farer.
  - Ikke la kunnskap som du har fått fra hyppig bruk av verktøy la deg bli for selvsikker slik at du ignorerer verktøyets sikkerhetsprinsipper.** En uforsiktig handling kan føre til alvorlig personskade på brøkdelen av et sekund.
- #### 4. Bruk og vedlikehold av elektriske verktøy
- Ikke bruk makt på elektroverktøyet. Bruk det elektriske verktøyet som situasjonen krever.** Det riktige elektriske verktøyet vil gjøre jobben bedre og tryggere ved den hastigheten det ble konstruert for.
  - Ikke bruk elektroverktøyet hvis du ikke kan slå det på og av med bryteren.** Ethvert elektrisk verktøy som ikke kan kontrolleres med bryteren er farlig og må repareres.
  - Trekk støpselet ut av stikkkontakten og/eller koble fra batteripakken på elektroverktøyet før du utfører**

**innstillinger, bytter tilbehør eller legger**

**elektroverktøyet bort.** Slike preventive sikkerhetsforanstaltninger reduserer risikoen for å starte det elektriske verktøyet ved et uhell.

- d. **Elektroverktøy som ikke er i bruk, må oppbevares utilgjengelig for barn. Ikke la verktøyet bli brukt av personer som ikke er fortrolige med det, eller som ikke kjenner disse instruksjonene.**  
Elektriske verktøy er farlige i hendene på utrenede brukere.
- e. **Hold verktøy og tilbehør ved like. Kontroller om bevegelige deler er feiljustert eller fastskjært, om deler er ødelagt eller andre forhold som kan påvirke driften av verktøyet. Dersom det er skadet, få verktøyet reparert før neste bruk.** Mange ulykker forårsakes av dårlig vedlikeholdte verktøy.
- f. **Hold skjæreverktøy skarpe og rene.** Godt vedlikeholdte skjæreverktøy med skarpe skjærekanten setter seg mindre sannsynlig fast og er lettere å kontrollere.
- g. **Bruk elektroverktøy, tilbehør, bor osv. i henhold til disse instruksjonene. Ta hensyn til arbeidsforholdene og arbeidet som skal utføres.**  
Bruk av det elektriske verktøyet for oppgaver som er forskjellige fra de som er tiltenkt kan føre til en farlig situasjon.
- h. **Hold håndtak og gripeflater tørre, rene og frie for fett olje og fett. Glatte håndtak og gripeområder gir utrygg håndtering og manglende kontroll over verktøyet i uventede situasjoner.**
5. **Bruk og stell av batteriverktøy**
- a. **Ladningen skal bare skje med den laderen som produsenten har spesifisert.** En lader som passer for en type batteripakke kan føre til risiko for brann dersom den brukes på en annen batteripakke.
- b. **Bruk elektroverktøy bare sammen med spesifikt angitte batteripakker.** Bruk av andre batteripakker kan føre til risiko for personskade og brann.
- c. **Når batteripakken ikke er i bruk, må du oppbevare den atskilt fra andre metallgjenstander som binders, mynter, nøkler, spiker, skruer eller andre små metallgjenstander som kan opprette en forbindelse fra en terminal til en annen.** Kortslutning av batteripolene mot hverandre kan føre til brannskader eller brann.
- d. **Ved feilaktig bruk kan det komme væske ut av batteriet, unngå kontakt med den. Dersom du kommer i kontakt med den, skyll av med vann. Dersom du får væsken i øynene, søk legehjelp.** Væske som kommer ut av batteriet kan føre til irritasjon eller brannskader.
6. **Service**
- a. **Elektroverktøy skal repareres av kvalifisert personell og bare med originale reservedeler. Dette vil sikre at verktøyets sikkerhet blir ivaretatt.**

- b. **Utfør aldri vedlikehold på skadede batteripakker. Service på BATTERIPAKKER skal kun utføres av produsenten eller et autorisert serviceverksted.**

**Ekstra sikkerhetsadvarsler for elektriske verktøy**

**Advarsel!** Ytterligere sikkerhetsadvarsler for muttertrekkere

- ◆ **Bruk hørselvern når du bruker skruverktøy med slag.** Å bli utsatt for støy kan forårsake hørselstap.
- ◆ **Bruk hjelpehåndtak som følger ned verktøyet.** Å miste kontroll kan forårsake personskade.
- ◆ **Hold det elektriske verktøyet kun i isolerte gripeoverflater når du utfører operasjoner hvor skruen kan komme i kontakt med skjulte ledninger.** Skruer som kommer i kontakt med en strømførende ledning kan føre til at eksponerte metalldele på elektroverktøyet blir strømførende, og kan gi brukeren støt.
- ◆ **Bruk klemmer eller annen praktisk måte å feste og støtte arbeidsstykket på et stabilt underlag.** Å holde arbeidsstykket i hendene eller mot kroppen er ustabil og kan føre til at du mister kontroll.
- ◆  **Dette verktøyet er ikke ment for bruk av personer (inkludert barn) med reduserte fysiske, sansemessige eller mentale evner, eller som mangler erfaring og kunnskap, med mindre de har fått oppfølging eller instruksjon når det gjelder bruken av apparatet, fra en person som er ansvarlig for deres sikkerhet. Barn må holdes under oppsyn, sørg for at de ikke leker med apparatet.**
- ◆ **Bruksområdet er beskrevet i denne bruksanvisning. Hvis du bruker annet tilbehør, kobler til annet utstyr eller bruker dette produktet til andre oppgaver enn det som er anbefalt i denne håndboken, kan det føre til fare for personskade og/eller skade på eiendom.**



**Advarsel!** Muttertrekkere er ikke momentnøkler. Ikke bruk dette verktøyet til å stramme festeordninger til spesifiserte momenter. Du bør bruke et uavhengig, kalibrert verktøy som måler moment, for eksempel en momentnøkkel, når koblinger kan svikte hvis festeordninger er for lite eller for mye strammet.

**Sikkerhet for andre**

- ◆ **Dette apparatet er ikke ment for bruk av personer (inkludert barn) med redusert fysiske, sensoriske eller mentale evner, eller mangel på erfaring og kunnskap, med mindre de får tilsyn eller har blitt opplært i bruk av apparatet av en person ansvarlig for deres sikkerhet.**
- ◆ **Barn må holdes under oppsyn, sørg for at de ikke leker med apparatet.**

## Restrisikoer

Andre risikoer kan oppstå dersom du bruker verktøyet på en måte som ikke er beskrevet i de angitte sikkerhetsadvarslene. Slik risiko kan oppstå som følge av feil bruk, for lang bruk og annet.

Til tross for at man følger relevante sikkerhetsbestemmelser og bruker sikkerhetsutstyr, er det bestemte restrisikoer som ikke kan unngås. Disse inkluderer:

- ◆ Personskader som forårsakes av berøring av en roterende/bevegelig del.
- ◆ Personskader som forårsakes av at en del, et blad eller tilbehør endres.
- ◆ Personskader som forårsakes av langvarig bruk av et verktøy. Ved bruk av et verktøy i lengre perioder, pass på å ta regelmessige pauser.
- ◆ Hørselskader.
- ◆ Helsefarer som forårsakes av innånding av støv som dannes når du bruker verktøyet (eksempel: arbeid med tre, spesielt eik, bøk og MDF.)

## Vibrasjon

Vibrasjonsemissionsverdien som er angitt under tekniske data og samsvarserklæring, er blitt målt i henhold til en standard testmetode som er angitt i EN62841, og kan brukes til å sammenligne et verktøy med et annet.

De angitte vibrasjonsverdiene kan også brukes som en foreløpig vurdering av eksponeringen.

**Advarsel!** De virkelige vibrasjonsverdiene under bruk av elektroverktøyet kan avvike fra de oppgitte verdiene avhengig av hvordan verktøyet brukes. Vibrasjonsnivået kan øke over det angitte nivået.

Ved vurdering av vibrasjonseksponering for bestemmelse av sikkerhetstiltak i henhold til 2002/44/EU for beskyttelse av personer som regelmessig bruker elektroverktøy i jobben, bør et estimat av vibrasjonseksponeringen ta hensyn til bruksforholdene og måten verktøyet brukes på, inkludert en vurdering av alle deler av arbeidsprosessen, så som varighet av bruk og tomgangstid i forhold til tid for virkelig bruk.

## Etiketter på verktøyet

Følgende symboler og datokode er vist på verktøyet:



**Advarsel!** For å redusere skaderisikoen, les bruksanvisningen.



Bruk hørselvern når du bruker slagboremaskiner. Å bli utsatt for støy kan føre til hørselstap



Ikke se direkte på lampen når den er på

## Ytterligere sikkerhetsinstruksjoner for batterier og ladere

### Batterier

- ◆ Forsøk aldri å åpne av noen årsak.
- ◆ Ikke utsett batteriet for vann.
- ◆ Oppbevar ikke på steder der temperaturen kan overskride 40 °C.
- ◆ Lad bare ved temperaturer mellom 10 °C og 40°C.
- ◆ Bruk bare laderen som følger med apparatet.
- ◆ Følg instruksjonene i avsnittet "Miljø" når du skal kaste batterier.

### Ladere

- ◆ STANLEY FAT MAX-laderen skal bare brukes til å lade batteriet i apparatet som laderen kom sammen med. Andre batterier kan sprekke og føre til personskade og materiell skade.
- ◆ Prøv aldri å lade ikke-oppladbare batterier.
- ◆ Skift ut defekte ledninger umiddelbart.
- ◆ Ikke utsett laderen for vann.
- ◆ Ikke åpne laderen.
- ◆ Ikke stikk gjenstander eller fingre ned i laderen.



Laderen er bare beregnet for bruk innendørs.



Les denne håndboken før bruk.



Ikke forsøk å lade opp skadede batterier.

### Elektrisk sikkerhet



Denne laderen er dobbeltisolert. Jording er derfor ikke nødvendig. Kontroller alltid at nettspenningen er i overensstemmelse med spenningen på typeskiltet. Prøv aldri å skifte ut laderen med en vanlig nettplugg.

- ◆ Hvis strømledningen blir skadet, må den skiftes av produsenten eller et autorisert Stanley Fat Max-servicesenter så man unngår farlige situasjoner.

## Funksjoner

Dette verktøyet har følgende egenskaper og funksjoner.

1. Bryter for variabel hastighet
2. Glidebryter for fremover/bakover
3. Chuck
4. Chuck-krage
5. Batteri
6. LED-arbeidslampe



## Figur A

7. Lader
8. Ladeindikator

## Montering

**Advarsel!** Fjern batteriet fra verktøyet før montering.

### Sette inn og ta ut batteriet (figur B)

- ◆ Når du skal sette inn batteriet (5), holder du det overfor kontakten på verktøyet. Skyv batteriet inn i kontakten, og skyv til det klikker på plass.
- ◆ Når du skal ta ut batteriet, trykker du på låseknappen (5a) og trekker samtidig batteriet ut av kontakten.

### Sette på og ta av skrutrekkerbit eller pipe (figur C)

Dette verktøyet er utstyrt med en hurtigutløsningschuck, så bits kan byttes enkelt.

**Advarsel!** Pass på at verktøyet er låst for å hindre utilsiktet aktivering av bryteren før du setter på eller tar av tilbehør.

- ◆ Lås verktøyet ved å sette glidebryteren for fremover/bakover (2) i midtstillingen.
- ◆ Trekk i og hold chuckedraggen (4) ut fra fronten av verktøyet.
- ◆ Sett bitskafet (8) inn i chucked (3).
- ◆ Slipp kragen. Tilbehøret låses på plass.

**Merk!** Gjenta trinnene ovenfor for å ta av bit/pipe.

**Advarsel!** Bruk bare sokler for slagbruk. Sokler som ikke er ment for slagbruk kan knekke og føre til farlige situasjoner. Inspiser sokkelen før bruk for å se at den ikke har sprekker.

## Bruk

**Advarsel!** La verktøyet jobbe i sin egen hastighet. Ikke overbelast det.

### Lading av batteriet (figur A)

Batteriet må lades før første bruk og hver gang det ikke lenger gir nok strøm til jobber som tidligere lett ble utført. Batteriet kan bli varmt under lading. Dette er normalt og innebærer ikke feil.

**Advarsel!** Ikke lad batteriet ved omgivelsestemperaturer under 10 °C eller over 40 °C. Anbefalt ladetemperatur er ca. 24 °C.

**Merk: Laderen vil ikke lade et batteri hvis celletemperaturen er under ca. 10 °C eller over 40 °C.**

**Du bør la batteriet stå i laderen. Laderen begynner å lade automatisk når celletemperaturen blir høyere eller lavere.**

- ◆ Når du skal lade batteriet (5), setter du det inn i laderen (7). Batteriet kan bare settes i laderen på én måte. Ikke bruk kraft. Pass på at batteriet sitter helt inne i laderen.
- ◆ Plugg inn laderen, og slå på ved å koble til nettstrøm. Ladeindikatoren (8) blinker grønt kontinuerlig (langsomt). Ladingen er fullført når ladeindikatoren (8) lyser grønt kontinuerlig. Laderen og batteriet kan være tilkoblet så lenge du vil mens LED-lampen lyser. LED-en begynner å blinke grønt (lader) når laderen av og til "fyller på" batteriladingen. Ladningsindikatoren (8) lyser så lenge batteriet er tilkoblet

laderen, og denne er koblet til nettstrømmen.

- ◆ Lad utladede batterier innen 1 uke. Batterienes levetid vil bli mye mindre hvis de oppbevares utladet.

### La batteriet være i laderen

Laderen og batteripakken kan forbli tilkoblet med lysende lampe i ubegrenset tid. Laderen vil holde batteripakken klar og fulladet.

### Laderdiagnose

Hvis laderen oppdager et svakt eller skadet batteri, blinker ladeindikatoren (8) rødt med rask takt. Du går frem slik:

- ◆ Sett inn batteriet (5) på nytt.
- ◆ Hvis ladningsindikatorne fortsetter å blinke rødt med rask takt, bruker du et annet batteri til å finne ut om ladningsprosessen fungerer riktig.
- ◆ Hvis den andre batteripakken lades korrekt, er den opprinnelige batteripakken defekt og bør leveres til et servicesenter for resirkulering.
- ◆ Hvis det andre batteriet gir samme indikasjon som det opprinnelige batteriet, bringer du laderen til et autorisert servicesenter.

**Merk: Det kan ta så mye som 60 minutter å avgjøre om batteriet er defekt. Hvis batteriet blir for varmt eller for kaldt, blinker LED-lampen rødt, vekselvis raskt og langsomt, ett blink ved hver hastighet med gjentakelse.**

### Velge rotasjonsretning (figur D)

Til stramming bruker du rotasjon fremover (med klokken). Til løsning bruker du rotasjon bakover (mot klokken).

- ◆ Når du skal velge rotasjon fremover, skyver du glidebryteren (2) for fremover/bakover til venstre.
- ◆ Når du skal velge rotasjon bakover, skyver du glidebryteren til høyre.
- ◆ Når du skal låse verktøyet, setter du glidebryteren for fremover/bakover i midtstillingen.

### Bruk som skrutrekker / feste muttere

- ◆ Velg passende bit/pipe for skruen eller mutteren som skal skrues.
- ◆ Velg rotasjon fremover eller bakover som beskrevet ovenfor.
- ◆ Hold verktøyet på linje med festeordningen.
- ◆ Kontroller momentet med en momentnøkkel etter at du har skrudd til.

### LED-arbeidslampe

LED-arbeidslampen (6) aktiveres automatisk når utløseren trykkes inn. LED-arbeidslampen lyser når utløseren er delvis trykket inn, før enheten begynner å gå.

### Tips for best bruk

#### Skrutrekking

- ◆ Bruk alltid riktig type og størrelse av skrutrekkerbit.

- ◆ Hvis skruer er vanskelige å trekke til, prøv å bruke litt flytende vaskemiddel eller såpe som smøremiddel.
- ◆ Hold alltid verktøyet og skrutrekkerbiten i rett linje med skruen.

## Vedlikehold

Stanley Fat Max-verktøyet ditt er konstruert for å være i drift over lengre tid med et minimum av vedlikehold. For at den skal fungere tilfredsstillende over tid, er det viktig å sørge for riktig stell og regelmessig renhold.

Laderen krever intet annet vedlikehold enn regelmessig rengjøring.

**Advarsel!** Før du utfører vedlikehold på verktøyet, må du fjerne batteriet fra verktøyet.

Fjern laderen fra stikkkontakten før du rengjør den.

- ◆ Rengjør ventilasjonsåpningene i verktøyet og laderen jevnlig med en myk børste eller tørr klut.
- ◆ Rengjør motorhuset regelmessig med en fuktig klut. Ikke bruk skurende eller løsemiddelbaserte rengjøringsmidler.
- ◆ Åpne chucken regelmessig, og bank på den for å fjerne eventuelt støv fra innsiden.

## Beskyttelse av miljøet



Separat avfallshåndtering. Produkter og batterier som er merket med dette symbolet skal ikke kastes sammen med vanlig husholdningsavfall.

Produkter og batterier inneholder materialer som kan gjenbrukes eller gjenvinnes for å redusere behovet for nye råmaterialer.

Vennligst lever elektrisk utstyr og batterier til gjenbruk i henhold til lokale retningslinjer. Mer informasjon finner du på [www.2helpU.com](http://www.2helpU.com)

## Tekniske data

		FMC041
Spenning	$V_{DC}$	10,8
Ubelastet hastighet	$Min^{-1}$	0-2500
Slag	BPM	0 - 3400
Maks. dreiemoment(PTI-normering)	Nm	110
Chuck kapasitet	mm	6 (sekskant)
Vekt	kg	1,0

Lader		N472239/N472243
Inngangsspenning	$V_{AC}$	230
Utgangsspenning	$V_{DC}$	22
Strøm	A	1,25
Omtrentlig ladetid	min	70 (1,5 AH)

Batteri		FMC086L
Spenning	$V_{DC}$	10,8
Kapasitet	Ah	1,5
Type		Li-ion

### Lydtrykknivå i henhold til EN 62841:

Lydtrykk ( $L_{pA}$ ) 91,5 dB(A), usikkerhet (K) 5 dB(A)

Lydeffekt ( $L_{WA}$ ) 102,5 dB(A), usikkerhet (K) 5 dB(A)

Totalt vibrasjonsverdier (vektorsum fra tre retninger) bestemt i samsvar med EN 62841:

Slagtrekking ( $a_{h}$ ) 12,9  $m/s^2$ , usikkerhet (K) 1,5  $m/s^2$

## EU-samsvarserklæring

MASKINERDIREKTIV



Trådløs slagtrekker - FMC041

STANLEY Europe erklærer at de produktene som er beskrevet under "tekniske data" er i samsvar med:

2006/42/EU, EN62841-1:2015, EN62841-2-2:2014.

Disse produktene er også i samsvar med direktiv 2014/30/EU og 2011/65/EU.

Hvis du ønsker mer informasjon, kontakt Stanley Fat Max på følgende adresse, eller se på baksiden av bruksanvisningen.

Undertegnede er ansvarlig for sammenstillingen av den tekniske filen og fremsetter denne erklæringen på vegne av Stanley Europe.

*Patrick Diepenbach*

Patrick Diepenbach  
General Manager, Benelux  
Stanley Fat Max,  
Egide Walschaertsstraat 14-18  
2800 Mechelen, Belgia  
27/07/2020

## Garanti

Stanley Fat Max er trygg på kvaliteten av produktene sine og tilbyr en 12 måneders garanti fra kjøpsdato. Denne garantien er et tillegg og endrer ikke dine rettigheter i henhold til loven. Garantien er gyldig innen områdene tilhørende medlemslandene i den Europeiske Union (EU) og det Europeiske Frihandelsområdet (EFTA).

For å ta garantien i bruk må kravet være i samsvar med kjøpsbetingelsene fra Stanley Fat Max og du må vise kjøpskvittering til forhandleren eller til et autorisert serviceverksted. Betingelsene for Stanley Fat Max 1 års garanti og adressen til din nærmeste autoriserte serviceverksted kan du finne på internett under [www.2helpU.com](http://www.2helpU.com), eller ved å kontakte ditt lokale Stanley Fat Max kontor, adressen er angitt i denne bruksanvisningen.

Besøk vår webside [www.blackanddecker.co.uk](http://www.blackanddecker.co.uk) for å registrere ditt nye Stanley Fat Max produkt og for å holde deg oppdatert om nye produkter og spesialtilbud.

## Tilsigtet anvendelse

Din Stanley Fat Max FMC041 slagskruetrækker er designet til skruoopgaver og tilspænding af møtrikker. Dette værktøj er beregnet til erhvervsmæssige brugere og private ikke-erhvervsmæssige brugere.

## Sikkerhedsinstruktioner

### Generelle sikkerhedsadvarsler for elektrisk værktøj



**Advarsel! Læs alle sikkerhedsadvarsler, instruktioner, illustrationer og specifikationer, der følger med dette elværktøj.** Hvis nedenstående advarsler og anvisninger ikke følges, er der risiko for elektrisk stød, brand og/eller alvorlige personskader.

**Gem alle advarsler og instruktioner for fremtidig reference.** Termen "elværktøj" i advarslerne refererer til dit elektroniske (ledning) eller batteribetjente (trådløse) elværktøj.

#### 1. Sikkerhed i arbejdsområdet

- Hold arbejdsområdet rent og ordentligt oplyst.** Rodede eller mørke områder giver anledning til ulykker.
- Brug ikke elværktøj i eksplosive omgivelser, f.eks. hvor der er brændbare væsker, gasser eller støv.** Elværktøj danner gnister, der kan antænde støv eller dampe.
- Hold børn og omkringstående på afstand, når der arbejdes med elværktøj.** Distractioner kan medføre, at du mister kontrollen.

#### 2. El-sikkerhed

- Elværktøjets stik skal passe til kontakten. Stikket må aldrig modificeres på nogen måde. Undlad at bruge adapterstik sammen med (jordforbundet) elektrisk værktøj.** Umodificerede stik og dertil passende stikkontakter reducerer risikoen for elektrisk stød.
- Undgå kropskontakt med jordforbundne overflader som f.eks. rør, radiatorer, komfurer og køleskabe.** Der er øget risiko for elektrisk stød, hvis din krop er jordforbundet.
- Udsæt ikke elværktøj for regn, og brug det ikke, hvor omgivelserne er våde.** Hvis der trænger vand ind i et elektrisk værktøj, øges risikoen for elektrisk stød.
- Ledningen må ikke beskadiges. Brug aldrig ledningen til at bære, trække værktøjet eller trække det ud af stikkontakten. Hold ledningen borte fra varme, olie, skarpe kanter og bevægelige dele.** Beskadigede eller sammenfiltrede ledninger øger risikoen for elektrisk stød.
- Hvis elværktøj benyttes i det fri, skal der benyttes en forlængerledning, som er godkendt til udendørs brug.**

Brug af en ledning, der er egnet til udendørs brug, reducerer risikoen for elektrisk stød.

- Brug en strømkilde med fejlstrømsrelæ (RCD), hvis det er nødvendigt at anvende elværktøj på fugtige steder.** Ved at benytte en fejlstrømsafbryder reduceres risikoen for elektrisk stød.

#### 3. Personssikkerhed

- Vær opmærksom, hold øje med, hvad du laver, og brug elværktøjet fornuftigt.** Betjen ikke værktøjet, hvis du er træt, påvirket af narkotika, alkohol eller medicin. Et øjeblik uopmærksomhed under anvendelse af et elektrisk værktøj kan forårsage alvorlig personskade.
  - Brug personligt beskyttelsesudstyr. Bær altid beskyttelsesbriller.** Sikkerhedsudstyr, såsom støvmaske, skridsikre sikkerhedssko, sikkerhedshjelm eller høreværn, brugt når omstændighederne foreskriver det, reducerer omfanget af personskader.
  - Forhindr utilsigtet start. Kontrollér, at afbryderkontakten står på slukket, inden værktøjet tilsluttes strømkilden og/eller batteriet, samles op eller bæres.** Når elektrisk værktøj bæres med fingeren på kontakten eller tilsluttes, når kontakten er tændt, giver det anledning til ulykker.
  - Fjern indstillingsværktøj eller skruenøgle, inden elværktøjet startes.** En skruenøgle eller anden nøgle, der bliver siddende på en roterende del af elektrisk værktøj, kan give anledning til personskade.
  - Stræk dig ikke for langt. Hold hele tiden en god fodstilling og balance.** Dette giver bedre kontrol af det elektriske værktøj, når uventede situationer opstår.
  - Brug egnet arbejdstøj. Bær ikke løst tøj eller smykker. Hold dit hår, tøj og handsker væk fra bevægelige dele.** Løstsiddende tøj, smykker eller langt hår kan blive fanget i bevægelige dele.
  - Hvis der kan monteres støvudsugnings- og opsamlingsudstyr, skal dette tilsluttes og benyttes korrekt.** Anvendelse af støvopsamlingsudstyr kan begrænse farer forårsaget af støv.
  - Lad ikke kendskab fra hyppig brug af værktøjer gøre dig uforsigtig og få dig til at ignorere principperne for værktøjssikkerhed.** En skodesløs handling kan forårsage alvorlig skade i en brøkdæl af et sekund.
- #### 4. Brug og pleje af elektrisk værktøj
- Overbelast ikke elværktøjet. Brug det værktøj, der er bedst egnet til det arbejde, der skal udføres.** Værktøjet vil klare opgaven bedre og mere sikkert med den ydelse, som det er beregnet til.
  - Brug ikke elværktøjet, hvis afbryderkontakten er defekt.** Alt elektrisk værktøj, der ikke kan kontrolleres med kontakten, er farligt og skal repareres.

- c. **Træk stikket ud af stikkontakten og/eller batteriet inden indstilling, tilbehørsudskiftning eller opbevaring af elværktøjet.** Sådanne forebyggende sikkerhedsforanstaltninger mindsker risikoen for, at værktøjet startes utilsigtet.
- d. **Opbevar ubenyttet elværktøj uden for børns rækkevidde. Lad aldrig personer, der ikke er fortrolige med elværktøjet, eller som ikke har læst denne vejledning, benytte maskinen.**  
El-værktøj er farligt i hænderne på personer, som ikke er instrueret i brugen deraf.
- e. **Vedligehold elektrisk værktøj og tilbehør. Undersøg om bevægelige dele sidder skævt, binder eller er gået itu såvel som andre forhold, der kan påvirke betjeningen af elektriske værktøjer. Hvis det elektriske værktøj er beskadiget, skal det repareres før brug.** Mange ulykker er forårsaget af dårligt vedligeholdt værktøj.
- f. **Hold skæreværktøj skarpt og rent.** Ordentligt vedligehold skæreværktøj med skarpe skærekanter har mindre tilbøjelighed til at binde og er lettere at styre.
- g. **Brug elværktøjet, tilbehøret, indsatsværktøj osv. i overensstemmelse med disse instruktioner under hensyntagen til arbejdsforholdene og arbejdet, der skal udføres med værktøjet.**  
Brug af elektrisk værktøj til andre opgaver end dem, det er beregnet til, kan resultere i en farlig situation.
- h. **Hold håndtag og grebflader tørre, rene og fri for olie og fedt. Glatte håndtag og grebflader giver ikke mulighed for sikker håndtering og styring af værktøjet i uventede situationer.**
5. **Brug og pleje af batteriværktøj**
- a. **Genoplad kun med den oplader, som producenten har angivet.** En oplader, der passer til en type batteripakke, kan udgøre en risiko for brand, når den bruges til en anden type.
- b. **Elværktøj må kun bruges med batteripakker, der er beregnet hertil.** Brugen af andre batteripakker kan medføre personskaade og brand.
- c. **Når batteripakken ikke er i brug, skal den holdes på afstand af andre metalgenstande, f.eks. papirclips, mønter, nøgler, søm, skruer og andre små metalgenstande, som kan skabe forbindelse mellem de to poler.** Kortslutning af batteriet kan forårsage forbrændinger eller brand.
- d. **Under grove forhold kan væske sive ud fra batteriet; undgå kontakt. Hvis der opstår kontakt ved et uheld, skyl med vand. Hvis væske kommer ind i øjnene, søg omgående lægehjælp.** Væske, der siver ud fra batteriet, kan fremkalde irritation eller forbrændinger.

## 6. Service

- a. **Lad kun kvalificerede fagfolk reparere elværktøjet og benyt kun originale reservedele.** Derved sikres det, at værktøjets driftssikkerhed opretholdes.
- b. **Udfør aldrig service på beskadigede BATTERI-pakker.** Service på BATTERI-pakker bør kun udføres af producenten eller autoriserede udbydere.

## Ekstra sikkerhedsadvarsler for elektrisk værktøj



**Advarsel!** Yderligere sikkerhedsadvarsler for slagskruetrækkere

- ◆ **Bær høreværn ved slagboring.** Udsættelse for støj kan medføre høretab.
- ◆ **Brug de ekstra håndtag, der følger med værktøjet.** Hvis du mister kontrol kan medføre kvæstelser.
- ◆ **Hold i elværktøjets isolerede grebflader, hvis der er risiko for at beslaget kommer i kontakt med skjulte ledninger.** Hvis beslag kommer i kontakt med en strømførende ledning, bliver elværktøjets blottagte dele strømførende, så brugeren får stød.
- ◆ **Brug klemmer eller en anden praktisk metode til at sikre og understøtte arbejdsområdet på et stabilt underlag.** Hvis du holder fast i arbejdsområdet med din hånd eller krop, vil det være ustabil, og det kan medføre, at du mister kontrollen over det.
- ◆ **Dette værktøj må ikke bruges af personer (herunder børn) med nedsatte fysiske, sensoriske eller mentale evner eller manglende erfaring og viden, medmindre de er under opsyn eller er blevet instrueret i brug af værktøjet af en person, der er ansvarlig for deres sikkerhed.** Børn skal holdes under opsyn, så det sikres, at de ikke leger med værktøjet.
- ◆ **Den tilsigtede anvendelse er beskrevet i denne betjeningsvejledning.** Brug af ekstraudstyr eller tilbehør eller udførelse af andre opgaver med dette værktøj end de, der anbefales i denne vejledning, kan medføre risiko for personskaade og/eller materiel skade.



**Advarsel!** Slagskruetrækkere er ikke momentnøgler. Brug ikke dette værktøj til tilspænding af beslag til bestemte drejningsmomenter. Der bør anvendes en selvstændig, kalibreret drejningsmomentmåler som f.eks. en momentnøgle, hvis for løse eller stramme beslag kan medføre fejl i samlingen.

## Andres sikkerhed

- ◆ **Dette værktøj må ikke bruges af personer (herunder børn) med nedsatte fysiske, sensoriske eller mentale evner eller manglende erfaring og viden, medmindre de er under opsyn eller er blevet instrueret i brug af værktøjet af en person, der er ansvarlig for deres sikkerhed.**
- ◆ **Børn skal holdes under opsyn, så det sikres, at de ikke leger med værktøjet.**

## Restrisici

Der kan opstå yderligere, tilbageværende risici under brugen af værktøjet, som muligvis ikke behandles i de vedlagte sikkerhedsadvarsler. Disse risici kan opstå som følge af forkert brug, langvarigt brug osv.

På trods af overholdelsen af de relevante sikkerhedsregler og brug af sikkerhedsudstyr kan visse restrisici ikke undgås. Disse omfatter:

- ◆ Kvæstelser som følge af berøring af roterende/bevægelige dele.
- ◆ Kvæstelser som følge af udskiftning af dele, blade eller tilbehør.
- ◆ Kvæstelser som følge af langvarig brug af et værktøj. Når du bruger et værktøj i længere perioder, skal du sørge for at holde regelmæssige pauser.
- ◆ Hørenedsættelse.
- ◆ Sundhedsrisici forårsaget af indånding af støv, der genereres ved brug af dit apparat (eksempel: arbejde med træ, især eg, bøg og MDF.)

## Vibration

De angivne værdier for udsendelse af vibration anført under de tekniske data og overensstemmelseserklæringen er målt i henhold til standardtestmetoden i EN62841 og kan bruges til at sammenligne ét værktøj med et andet.

Den deklarerede vibrationsmissionsværdi kan også anvendes i en foreløbig vurdering af eksponeringen.

**Advarsel!** Vibrationsemissionsværdien kan under faktisk brug af elværktøjet afvige fra den angivne værdi afhængigt af de måder, hvorpå værktøjet anvendes. Vibrationsniveauet kan stige til over det angivne niveau.

Ved vurdering af vibrationseksponeringen til at fastlægge de sikkerhedsforanstaltninger, der kræves af 2002/44/EC for at beskytte personer der regelmæssigt benytter elværktøj på arbejde, bør en vurdering af vibrationseksponeringen overvejes, de faktiske anvendelsesbetingelser og den måde, hvorpå værktøjet anvendes, herunder under hensyntagen til alle dele af drifts cyklussen som f.eks. de tidspunkter, hvor værktøjet er slukket, og når det kører i tomgang, udover udløsningsstiden.

## Mærkater på værktøjet

De følgende piktogrammer såvel som datokoden vises på værktøjet:



**Advarsel!** For at reducere risikoen for personskade bør du læse betjeningsvejledningen.



Bær høreværn ved slagboring. Udsættelse for støj kan medføre høretab.



Kig ikke ind i lampen, når den er tændt.

## Yderligere sikkerhedsvejledninger for batterier og ladere

### Batterier

- ◆ Forsøg aldrig at åbne den af en eller anden grund.
- ◆ Batteriet må ikke udsættes for fugt.
- ◆ Opbevar ikke på steder, hvor temperaturen kan overstige 40 °C.
- ◆ Fortag kun opladning ved omgivelsestemperaturer mellem 10 °C og 40°C.
- ◆ Oplad kun ved hjælp af den medfølgende lader.
- ◆ Følg vejledningen i afsnittet "Miljøbeskyttelse" ved bortskaffelse af batterier.

### Opladere

- ◆ Brug kun din STANLEY FAT MAX-oplader til at oplade batteripakken i det værktøj, som den blev leveret sammen med. Andre batterier kan eksplodere og forårsage personskade og materiel skade.
- ◆ Forsøg aldrig at oplade ikke-genopladelige batterier.
- ◆ Udskift straks defekte ledninger.
- ◆ Opladeren må ikke udsættes for fugt.
- ◆ Opladeren må ikke åbnes.
- ◆ Undersøg ikke opladeren.



Opladeren er kun beregnet til indendørs brug.



Læs brugervejledningen, før værktøjet tages i brug.



Forsøg ikke at oplade beskadigede batterier.

### El-sikkerhed



Opladeren er dobbelt isoleret. Derfor er en jordledning ikke nødvendig. Kontroller altid, at netspændingen svarer til spændingen på typeskiltet. Forsøg aldrig at erstatte opladerenheden med et almindeligt netstik.

- ◆ Hvis netledningen er beskadiget, skal det udskiftes af producenten eller et autoriseret STANLEY FAT MAX Servicecenter for at undgå fare.

### Funktioner

På dette værktøj findes nogle eller alle funktioner.

1. Variabel hastighedskontakt
2. Skyder til skift af retning
3. Patron
4. Patronkrave
5. Batteri
6. LED-arbejdslys

**Fig. A**

7. Oplader
8. Ladeindikator

**Samling**

**Advarsel!** Tag batteriet ud af værktøjet inden det samles.

**Montering og afmontering af batteriet (fig. B)**

- ◆ Anbring batteriet (5) ud for værktøjets fatning, når batteriet skal monteres. Lad batteriet glide ind i fatningen, og skub, indtil batteriet går på plads.
- ◆ Tryk på udløserknapperne (5a), og træk samtidigt batteriet ud af fatningen for at tage batteriet ud.

**Montering og afmontering af bit/top (fig. C)**

Dette værktøj har en patron med hurtigudløser, så det er lettere at udskifte bits.

**Advarsel!** Sørg for at værktøjet er låst, så utilsigtet aktivering af startknappen inden montering eller afmontering af tilbehør forhindres.

- ◆ Lås værktøjet ved at sætte skyderen til skift af retning (2) i midterstilling.
- ◆ Træk og hold patronkraven(4) i retning væk fra værktøjets forside.
- ◆ Sæt borets aksel (8) i patronen (3).
- ◆ Slip kraven. Tilbehøret er låst på plads.

**Bemærk!** Gentag ovennævnte trin for at fjerne bor/stik.

**Advarsel!** Brug kun slagborholdere. Ikke slagborholdere kan gå i stykker og forårsage en farlig situation. Kontrollér borholderen før brug for at sikre, at der ikke findes nogen revner.

**Brug**

**Advarsel!** Lad værktøjet arbejde i sit eget tempo. Overbelast det ikke.

**Opladning af batteriet (fig. A)**

Batteriet skal oplades inden ibrugtagningen, og når det ikke leverer strøm nok til opgaver, der tidligere kunne udføres ubesværet. Batteriet kan blive varmt under opladningen. Det er normalt og ikke tegn på problemer.

**Advarsel!** Oplad ikke batteriet ved omgivende temperaturer på under 10 °C eller over 40 °C. Den anbefalede opladnings-temperatur er ca. 24 °C.

**Bemærk: Opladeren oplader ikke et batteri, hvis dets temperatur er under ca. 10°C eller over 40°C.**

**Batteriet bør blive siddende i opladeren, som automatisk begynder opladningen, når batteriet opvarmes/afkøles.**

- ◆ Sæt batteriet (5) i opladeren (7) for at lade det op. Batteriet passer kun i opladeren på én måde. Tving dem ikke. Kontroller, at batteriet er sat helt i opladeren.
- ◆ Tilslut opladeren, og tænd på stikkontakten.

Ladeindikatoren (8) blinker konstant grønt (langsomt).

Ladningen er afsluttet, når ladeindikatoren (8) lyser konstant grønt. Du kan lade batteriet sidde i opladeren med tændt LED. LED'en begynder at blinke grønt (opladning), når opladeren

en gang imellem "opfylder" batteriet. Ladeindikatoren (8) lyser, så længe batteriet er tilsluttet til opladeren, der er sat i stikkontakten.

- ◆ Afladede batterier bør oplades inden for 1 uge. Batteriet levetid reduceres kraftigt, hvis batteriet opbevares i afladet tilstand.

**Efterlade batteriet i opladeren**

Du kan lade batteripakken sidde i opladeren med tændt LED, så længe det ønskes. Opladeren holder batteripakken klar og fuldt opladet.

**Fejlfinding ved opladeren**

Ladeindikatoren (8) blinker hurtigt rødt, hvis opladeren registrerer et svagt eller beskadiget batteri. Fortsæt som følger:

- ◆ Sæt batteriet (5) i igen.
- ◆ Hvis ladeindikatorerne fortsætter med at blinke hurtigt rødt, skal du bruge et andet batteri til at kontrollere, om opladningen sker korrekt.
- ◆ Hvis det andet batteri lades korrekt, er det oprindelige batteri defekt og skal indleveres til genbrug på et servicecenter.
- ◆ Hvis det nye batteri giver samme indikation som det originale batteri, skal du lade opladeren teste på et autoriseret servicecenter.

**Bemærk: Det kan tage op til 60 minutter at konstatere, at batteriet er defekt. Hvis batteriet er for varmt eller koldt, blinker lysdioden rødt skiftevis hurtigt og langsomt med et blink ved hver frekvens, hvorefter sekvensen gentages.**

**Valg af drejeretning (fig. D)**

Brug forlæns omløb (med uret) for at spænde. Brug baglæns omløb (mod uret) for at løsne.

- ◆ Tryk skyderen til skift af retning (2) mod venstre for at vælge forlæns omløb.
- ◆ Tryk skyderen til skift af retning mod højre for at vælge baglæns omløb.
- ◆ Lås værktøjet ved at sætte skyderen til skift af retning i midterstilling.

**Iskrumning / stramning af møtrikker**

- ◆ Vælg passende bit / top til skruen eller møtrikken, der skal iskrues eller spændes.
- ◆ Vælg forlæns eller baglæns omløb som beskrevet ovenfor.
- ◆ Hold værktøjet på linje med beslaget.
- ◆ Efter tilspændingen kontrolleres momentet med en momentnøgle.

**LED-arbejdslys**

LED-arbejdslyset (6) aktiveres automatisk, når der trykkes på kontakten. LED-arbejdslyset lyser, når kontakten trykkes halv ned, før apparatet begynder at køre.



## Gode råd mhp. optimal brug

### Skruning

- ◆ Brug altid den rette type og størrelse skruetrækkerbit.
- ◆ Prøv at smøre lidt opvaskemiddel eller sæbe på skruen, hvis den er vanskelig at spænde.
- ◆ Hold altid værktøjet og skruetrækkeren i lige linje med skruen.

### Vedligeholdelse

Dit Stanley Fat Max-værktøj er beregnet til brug gennem lang tid med et minimum af vedligeholdelse. Vedvarende tilfredsstillende funktion er afhængig af, om værktøjet plejes korrekt og rengøres regelmæssigt.

Din oplader kræver ingen vedligeholdelse bortset fra regelmæssig rengøring.

**Advarsel!** Tag batteriet ud af værktøjet, inden der foretages vedligeholdelse på værktøjet.

Træk opladeren ud af stikkontakten, før den rengøres.

- ◆ Rens jævnlgt værktøjets og opladerens ventilationshuller med en blød børste eller en tør klud.
- ◆ Rengør med jævne mellemrum motorhuset med en fugtig klud. Brug ikke et slibende eller opløsningsmiddel-baseret rengøringsmiddel.
- ◆ Åbn jævnlgt patronen, og bank på den for at fjerne støv indvendigt.

### Miljøbeskyttelse



Særskilt bortskaffelse. Produkter og batterier mærket med dette symbol må ikke bortskaffes sammen med normalt husholdningsaffald.

Produkter og batterier indeholder materialer, der kan blive gendannet eller genanvendt og således reducere efterspørgslen efter råvarer.

Genbrug venligst elektriske produkter og batterier i henhold til lokale regulativer. Yderligere informationer findes på [www.2helpU.com](http://www.2helpU.com)

### Tekniske data

		FMC041
Spænding	$V_{DC}$	10,8
Omdrejningstal ved ingen belastning	$\text{Min}^{-1}$	0-2500
Slag	BPM	0 - 3400
Maks. moment(PTI metoden)	Nm	110
Patronkapacitet	mm	6 (sekskantet)
Vægt	kg	1,0

Oplader		N472239/N472243
Indgangsspænding	$V_{AC}$	230
Udgangsspænding	$V_{DC}$	22

Oplader		N472239/N472243
Strømstyrke	A	1,25
Ca. opladningstid	min	70 (1.5AH)

Batteri		FMC086L
Spænding	$V_{DC}$	10,8
Kapacitet	Ah	1,5
Type		Li-Ion

#### Lydtrykniveau i henhold til EN 62841:

Lydtryk ( $L_{pA}$ ) 91,5 dB(A), usikkerhed (K) 5 dB(A)

Lydeffekt ( $L_{WA}$ ) 102,5 dB(A), usikkerhed (K) 5 dB(A)

#### Samlede værdier for vibration (triaksial vektorsum) i henhold til EN 62841:

Fastgørelse med slag ( $a_{h1}$ ) 12,9  $\text{m/s}^2$ , usikkerhed (K) 1,5  $\text{m/s}^2$

## EF-overensstemmelseserklæring

MASKINDIREKTIV



Trådløs slagskruetrækker - FMC041  
STANLEY Europe erklærer, at produkterne beskrevet under "Tekniske data" er i overensstemmelse med:

2006/42/EC, EN62841-1:2015, EN62841-2-2:2014.

Disse produkter opfylder også Direktiv 2014/30/EU og 2011/65/EU.

Kontakt Stanley Fat Max på nedenstående adresse, eller se vejledningens bagside for at få flere oplysninger.

Undertegnede er ansvarlig for kompilering af den tekniske fil og udsteder denne erklæring på vegne af Stanley Europe.

*Patrick Diepenbach*

Patrick Diepenbach  
Generaldirektør, Benelux  
Stanley Fat Max,  
Egide Walschaertsstraat 14-18  
2800 Mechelen, Belgien  
27/07/2020

## Garanti

Stanley Fat Max er sikker på kvaliteten af sine produkter og giver forbrugerne en garanti på 12 måneder fra købsdatoen. Garantien er et tillæg til forbrugerens lovmæssige rettigheder og påvirker ikke disse. Garantien er gyldig inden for medlemsstaterne af Den Europæiske Union og Det Europæiske Frihandelsområde.

Når du gør krav på garantien, skal kravet være i overensstemmelse med Stanley Fat Max vilkår og betingelser, og du skal indsende dokumentation for købet til sælgeren eller til en autoriseret reparatør. Vilkår og betingelser for Stanley Fat Max 1 års garanti og placeringen af dit nærmeste autoriserede serviceværksted kan fås på internettet på [www.2helpU.com](http://www.2helpU.com), eller ved at kontakte dit lokale Stanley Fat Max kontor på den adresse, der er angivet i denne vejledning.

Besøg venligst vores websted [www.blackanddecker.co.uk](http://www.blackanddecker.co.uk) for at registrere dit nye Stanley Fat Max produkt og modtage opdateringer om nye produkter og specielle tilbud.

## Käyttötarkoitus

Stanley Fat Max FMC041 -iskuväänin on suunniteltu ruuvaimiseen ja muttereiden asettamiseen. Työkalu on tarkoitettu sekä ammatti- että yksityiskäyttöön.

## Turvaohjeet

### Sähkötyökalun yleiset turvallisuusvaroitukset



**Varoitus! Lue kaikki tämän laitteen mukana toimitetut varoitukset, käyttöohjeet ja tekniset tiedot.** Alla olevien varoitusten ja ohjeiden noudattamisen laiminlyönti saattaa johtaa sähköiskuun, tulipaloon ja/tai vakavaan loukkaantumiseen..

**Tallenna kaikki varoitukset ja ohjeet myöhempiä tarvetta varten.** Kaikissa alla olevissa varoituksissa on käytettävä sähkötyökaluilmaus viittaa verkkovirtaan yhdistettävään tai akkukäyttöiseen työkaluun.

#### 1. Työalueen turvallisuus

- Pidä työalue puhtaana ja varmista sen hyvä valaistus.** Onnettomuuksia sattuu herkemmin epäsiistissä tai huonosti valaistussa ympäristössä.
- Älä käytä sähkötyökalua räjähdysalttiissa ympäristössä, jossa on syttyvää nestettä, kaasua tai pölyä.** Sähkötyökalujen aiheuttamat kipinät voivat sytyttää pölyn tai kaasut.
- Pidä lapset ja sivulliset loitolla sähkötyökalua käyttäessäsi.** Keskittymiskyvyn herpaantuminen voi aiheuttaa hallinnan menettämisen.

#### 2. Sähköturvallisuus

- Sähkötyökalun pistokkeen on sovittava pistorasiaan. Älä koskaan tee pistokkeeseen mitään muutoksia. Älä yhdistä maadoitettua sähkötyökalua jatkojohtoon.** Sähköiskun vaara vähenee, jos pistokkeisiin ei tehdä muutoksia ja ne yhdistetään vain niille tarkoitettuihin pistorasioihin.
- Vältä koskettamasta maadoitettuja pintoja, kuten putkia, lämpöpattereita, liesiä tai jääkaappeja.** Voit saada sähköiskun, jos kehosi on maadoitettu.
- Älä altista sähkötyökalua sateelle tai kosteudelle.** Sähkötyökaluun menevä vesi lisää sähköiskun vaaraa.
- Älä käsittele virtajohtoa kovakouraisesti. Älä kannata sähkötyökaluja sähköjohdosta tai vedä pistoketta pistorasiasta sähköjohdon avulla. Pidä sähköjohto kaukana kuumuudesta, öljystä, terävistä reunoista tai liikkuvista osista.** Vaurioituneet tai sokeutuneet johdot lisäävät sähköiskun vaaraa.
- Käyttäessäsi sähkötyökalua ulkona käytä ainoastaan ulkokäyttöön soveltuvaa jatkojohtoa.** Ulkokäyttöön tarkoitettujen sähköjohdon käyttäminen vähentää sähköiskun vaaraa.

- Jos sähkötyökalua on välttämättä käytettävä kosteassa paikassa, käytä vikavirtasuojalla (RCD) suojattua virtalähdettä.**  
Tämä vähentää sähköiskun vaaraa.

#### 3. Henkilökohtainen turvallisuus

- Ole valpas, keskity työhön ja noudata tervettä järkeä sähkötyökalun käytössä.**  
**Älä käytä tätä sähkötyökalua ollessasi väsynyt tai alkoholin, huumeiden tai lääkkeiden vaikutuksen alaisena.** Keskittymisen herpaantuminen hetkeksikin sähkötyökalua käytettäessä voi aiheuttaa vakavan henkilövahingon.
- Käytä henkilökohtaisia suojavarusteita. Käytä aina suojalaseja.** Hengityssuojaimen, liukumattomien turvajalkineiden, kypärän ja kuulosuojaimen käyttäminen vähentää henkilövahinkojen vaaraa.
- Vältä tahatonta käynnistämistä. Varmista, että virtakytkin on OFF-asennossa, ennen kuin kytket sähkötyökalun pistorasiaan, yhdistät siihen akun, nostat sähkötyökalun käteesi tai kannat sitä.** Sähkötyökalun kantaminen sormi virtakytkimellä lisää onnettomuusvaaraa.
- Irrota mahdollinen säätö- tai kiintoavain ennen kuin käynnistät sähkötyökalun.** Sähkötyökalun pyöriivään osaan jäänyt säätöavain tai väännin voi aiheuttaa henkilövahingon.
- Älä kurkota. Huolehdi siitä, että sinulla on koko ajan tukeva jalansija ja hyvä tasapaino.** Näin voit hallita sähkötyökalua paremmin odottamattomissa tilanteissa.
- Käytä tarkoitukseen soveltuvia vaatteita. Älä käytä löysiä vaatteita tai koruja. Pidä hiukset, vaatteet ja kädet loitolla liikkuvista osista.** Löysät vaatteet, korut tai pitkät hiukset voivat tarttua liikkuviin osiin.
- Jos työkalun voi liittää polyimuriiniin, tarkista, että liitos on tehty asianmukaisesti ja että laitteita käytetään oikealla tavalla.** Pölyn ottaminen talteen voi vähentää pölyn aiheuttamia vaaroja.
- Vaikka käyttäisit usein työkaluja ja sinulla olisi niistä hyvä tuntemus, älä jätä lukematta työkalun turvallisuusohjeita.** Epähuomiossa suoritettujen toimenpiteet voivat johtaa vakaviin henkilövahinkoihin sekunnin murto-osassa.

#### 4. Sähkötyökalusta huolehtiminen

- Älä ylikuormita sähkötyökalua. Valitse käyttötarkoituksen kannalta oikea sähkötyökalu.** Sähkötyökalu toimii paremmin ja turvallisemmin, kun sitä käytetään sille suunniteltuun käyttötarkoitukseen.
- Älä käytä sähkötyökalua, jota ei voida käynnistää ja pysäyttää virtakytkimestä.** Jos sähkötyökalua ei voi hallita kytkimen avulla, se on vaarallinen ja se on korjattava.

- c. **Irrota pistotulppa pistorasiasta ja/tai akku laitteesta ennen kuin suoritat säätöjä, vaihdat tarvikkeita tai siirrä sähkötyökalun varastoitavaksi.** Näin voit vähentää vahingossa käynnistymisen aiheuttaman henkilövahingon vaaraa.
- d. **Säilytä sähkötyökalut poissa lasten ulottuvilta, kun niitä ei käytetä. Älä anna sähkötyökalua sellaisen henkilön käyttöön, joka ei tunne sitä tai joka ei ole tutustunut tähän käyttöohjeeseen.** Sähkötyökalut ovat vaarallisia kouluttamattomien käyttäjien käsissä.
- e. **Varmista sähkötyökalujen ja lisävarusteiden hyvä kunto.** Tarkista liikkuvat osat, niiden kiinnitys, osien eheys ja muut koneen toimintaan vaikuttavat tekijät. **Jos havaitset vaurioita, korjauta sähkötyökalu ennen niiden käyttämistä.** Huonosti kunnossapidetyt sähkötyökalut aiheuttavat onnettomuuksia.
- f. **Pidä leikkausterät terävinä ja puhtaina.** Kunnossa pidettyjen leikkaavia teräviä reunoja sisältävien työkalut todennäköisyys jumiutua vähenee, ja niitä on helpompi hallita.
- g. **Käytä sähkötyökaluja, tarvikkeita, vaihtoteriä yms. näiden ohjeiden mukaisesti. Ota tällöin huomioon työolosuhteet ja suoritettava toimenpide.** Jos sähkötyökalua käytetään näiden ohjeiden vastaisesti, voi syntyä vaaratilanne.
- h. **Pidä kahvat ja kädensijat kuivina ja puhtaina öljystä ja rasvasta.** Liukkaat kahvat ja pinnat heikentävät työkalun hallinnan ja ohjauksen turvallisuutta odottamattomissa tilanteissa.
5. **Akkutyökalun käyttö ja huolto**
- a. **Lataa akku vain valmistajan määrittelemällä laturilla.** Laturi, joka on sopiva yhden tyyppiselle akulle, voi aiheuttaa tulipalon vaaran, jos sitä käytetään toisen tyyppisellä akulla.
- b. **Käytä sähkötyökalussa ainoastaan kyseiseen sähkötyökaluun tarkoitettua akkua.** Muun tyyppisen akun käyttö saattaa johtaa loukkaantumiseen ja tulipaloon.
- c. **Pidä irrallinen akku loitolla metalliesineistä, kuten paperiliittimistä, kolkkoista, avaimista, nauloista, ruuveista tai muista pienistä metalliesineistä, jotka voivat aiheuttaa oikosulun akun navoissa.** Kennon pinteiden oikoskulu voi aiheuttaa palovammoja tai tulipalon.
- d. **Väärin käytetystä akusta voi vuotaa nestettä. Älä kosketa sitä. Jos nesteen kanssa joutuu kosketuksiin, huuhtelee vedellä. Jos nestettä joutuu silmiin, hakeudu lisäksi lääkärin hoitoon.** Akusta roiskunut neste saattaa aiheuttaa ärsytystä tai palovammoja.
6. **Huolto**
- a. **Korjauta sähkötyökalu koulutetulla ja ammattitaitoisella henkilöllä ja hyväksy korjauksiin**

vain alkuperäisiä varaosia. Täten taataan sähkötyökalun turvallisuus.

- b. **Vaurioituneita AKKUJA ei saa koskaan huoltaa. Ainoastaan valmistaja tai valtuutetut huoltoliikkeet saavat huoltaa AKKUJA.**

## Sähkötyökalun lisäturvallisuusvaroitukset



**Varoitus!** Iskuvääntimien lisäturvavaroitukset

- ◆ **Käytä kuulosuojaimia iskuporakonetta käyttäessäsi.** Melulle altistuminen voi aiheuttaa kuulon menetyksen.
- ◆ **Käytä työkalun mukana toimitettuja lisäkahvoja.** Hallinnan menetys voi aiheuttaa henkilövahingon.
- ◆ **Pitele sähkötyökalua eristetyistä tartuntapinnoista, kun teet työtä, jossa kiinnitin voi joutua kosketuksiin piilossa olevien sähköjohtojen kanssa.** Kiinnittimien osuminen jännitteeseen johtoon tekee sen paljaista metaliosista jännitteisiä, joten käyttäjä voi saada sähköiskun.
- ◆ **Käytä puristimia tai muuta käytännöllistä tapaa kiinnittää ja tukea työkappale tukevalle alustalle.** Työn pitäminen käsin tai vartaloa vasten on epävakaata ja saattaa johtaa kontrollin menetykseen.
- ◆ **Tätä laitetta ei ole tarkoitettu sellaisten henkilöiden käyttöön, joilla on fyysisiä tai henkisiä rajoitteita tai aistirajoitteita, eikä laitteen toimintaan perehtymättömien henkilöiden käyttöön (lapset mukaan luettuina), ellei heidän turvallisuudestaan vastaava henkilö valvo tai opasta heitä laitteen käytössä.** Lapsia tulee valvoa ja varmistaa, että he eivät leiki laitteella.
- ◆ **Tarkoitettu käyttö on kuvattu tässä käyttöohjeessa.** Käytä työkalua ainoastaan sellaiseen työhön, johon se on tarkoitettu, ja käytä vain käyttöohjeessa ja tuotekuvastossa suositeltuja tarvikkeita ja lisälaitteita. Ohjeesta poikkeava käyttö voi aiheuttaa henkilö- ja/tai omaisuusvahinkoja.



**Varoitus!** Iskuvääntimet eivät ole momenttiavaimia. Älä käytä tätä työkalua kiinnittimien kiristämiseen tiettyyn vääntömomenttiin. Momenttiavaimen kaltaista itsenäistä, kalibroituva vääntömomentin mittauslaitetta on käytettävä, kun ali- tai ylikiristetyt kiinnittimet voivat johtaa liitoksen peittämiseen.

## Muiden henkilöiden turvallisuus

- ◆ **Tätä työkalua ei ole tarkoitettu sellaisten henkilöiden käyttöön, joilla on fyysisiä tai älyllisiä rajoitteita tai aistirajoitteita, eikä laitteen toimintaan perehtymättömien henkilöiden käyttöön (lapset mukaan luettuina), paitsi valvonnan alaisina, tai jos he ovat saaneet laitteen käyttöön liittyvää opastusta heidän turvallisuudestaan vastaavalta henkilöltä.**
- ◆ **Lapsia tulee valvoa ja varmistaa, että he eivät leiki laitteella.**

## Jäännösriskit

Jäännösriskejä voi esiintyä käyttäessä muita kuin varoituk-  
sissa mainittuja työkaluja. Riskit voivat johtua väärinkäytöstä,  
pitkästä käytöstä jne.

Turvamääräysten noudattamisesta ja turvalaitteiden käyttämi-  
sestä huolimatta tiettyjä vaaroja ei voida välttää. Näitä ovat:

- ◆ Pyörivien tai liikkuvien osien koskettamisen aiheuttamat vahingot.
- ◆ Osia, teriä tai lisävarusteita vaihdettaessa aiheutuneet vahingot.
- ◆ Työkalun pitkäaikaisen käytön aiheuttamat vahingot. Pidä säännöllisiä taukoja työkalun pitkäaikaisen käytön aikana.
- ◆ Kuulon heikkeneminen.
- ◆ Työkalua käytettäessä (esimerkiksi puuta, erityisesti tammaa, pyökkiä ja MDF-levyjä, käsiteltäessä) syntyneen pölyn sisäänhengityksen aiheuttamat terveysriskit.

## Tärinä

Teknisissä tiedoissa ja vaatimustenmukaisuusvakuutuksessa ilmoitettu tärinäpäästöarvo on mitattu EN62841-standardin testausmenetelmän mukaisesti, ja arvoa voi käyttää työkalujen keskinäiseen vertailuun.

Ilmoitettua tärinän päästöarvoa voidaan käyttää myös alusta-  
vassa altistumisen arvioinnissa.

**Varoitus!** Todellinen tärinän päästöarvo sähkötyökalun käytön aikana voi poiketa ilmoitetusta arvosta työkalun käyttötavasta riippuen. Tärinätasoa voi olla ilmoitettua tasoa suurempi.

Kun tärinälle altistumista arvioidaan direktiivin 2002/44/EY vaatimien turvallisuustoimien määrittämiseksi ja säännöllisesti sähkötyökalua käyttävien käyttäjien suojaamiseksi, tärinän altistumisen arvioinnissa tulee huomioida todelliset käyttö-  
olosuhteet sekä työkalun käyttötapa sekä kaikki käyttöjaksen elementit (esim. työkalun sammutusajajat, tyhjääkäyntiajat sekä käynnistymisaajat).

## Työkalun tarrat

Työkalu sisältää seuraavat kuvakkeet sekä päivämääräkoodin:



**Varoitus!** Loukkaantumisriskin vähentämiseksi käyttäjän on luettava tämä käyttöohje.



Käytä kuulosuojaimia iskuporakonetta käyttäessasi. Melulle altistuminen voi aiheuttaa kuulon menetyksen



Älä katso suoraan työvaloon

## Akkua ja laturia koskevat lisäturvaohjeet

### Akut

- ◆ Älä koskaan yritä avata mistään syystä.
- ◆ Älä altista akkua vedelle.

- ◆ Älä säilytä akkua tiloissa, joissa lämpötila voi nousta yli 40 °C:n.
- ◆ Lataa akku paikassa, jonka lämpötila on vähintään 10 °C ja enintään 40 °C.
- ◆ Lataa akku ainoastaan työkalun mukana toimitetulla laturilla.
- ◆ Noudata akkujen hävittämisessä kohdassa Ympäristön-  
suojelu esitettyjä ohjeita.

## Laturit

- ◆ Käytä STANLEY FAT MAX -laturia vain laitteen mukana toimitetun akun lataamiseen. Muut akut voivat räjähtää ja aiheuttaa henkilövahinkoja tai aineellisia vahinkoja.
- ◆ Älä koskaan yritä ladata akkuja, joita ei ole tarkoitettu ladattaviksi.
- ◆ Vaihda vialliset johdot välittömästi ehjiin.
- ◆ Älä altista laturia vedelle.
- ◆ Älä avaa laturia.
- ◆ Älä työnnä mitään laturin sisään.



Laturi on tarkoitettu ainoastaan sisäkäyttöön.



Lue käyttöohjeet huolellisesti ennen laitteen käyttöä.



Älä koskaan yritä ladata viallisia akkuja.

## Sähköturvallisuus



Laturi on kaksoiseristetty, joten erillistä maadoitusta ei tarvita. Tarkista aina, että verkkojännite vastaa arvokilvessä ilmoitettua jännitettä. Älä yritä korvata laturiyksikköä tavallisella verkkopistokkeella.

- ◆ Jos virtajohto vahingoittuu, sen vaihtaminen on turvallisuussyistä jätettävä valmistajan tai valtuutetun STANLEY FAT MAX -huolto liikkeen tehtäväksi.

## Ominaisuudet

Tämä kone sisältää kaikki seuraavat ominaisuudet tai joitakin niistä.

1. Säädettävä nopeuskytkin
2. Eteen-/taaksepäin-liukusäädin
3. Istukka
4. Istukan holkki
5. Akku
6. LED-työvalo

## Kuva A

7. Laturi
8. Lataustilan ilmaisain

## Asennus

**Varoitus!** Poista akku laitteesta aina ennen kokoamista.

## Akun kiinnittäminen ja irrottaminen (kuva B)

- ◆ Kiinnitä akku (5) asettamalla se koneen liitännän kanssa samaan linjaan. Liu'uta akkua kiinnitysvyvennykseen, kunnes akku lukittuu paikalleen.
- ◆ Irrota akku painamalla vapautuspainikkeita (5a) samalla kun vedät akkua irti liitännästä.

## Poranterän tai ruuviavaimen kiinnittäminen tai poistaminen (kuva C)

Tässä työkalussa on pikavapautettava istukka, joka helpottaa kärkien vaihtamista.

**Varoitus!** Varmista ennen lisävarusteiden asentamista tai irrottamista, että työkalu on lukituksessa asennossa virtakytkimen tahattoman käytön estämiseksi.

- ◆ Lukitse työkalu siirtämällä eteen-/taaksepäin-liikusäädin (2) keskelle.
- ◆ Vedä istukan holkkia (4) työkalun etuosasta pois päin ja pidä sitä paikallaan.
- ◆ Työnnä terän varsi (8) istukkaan (3).
- ◆ Vapauta kartio. Lisävaruste lukittuu paikalleen.

**Huomautus!** Irrota kärki suorittamalla edelliset vaiheet käänteisessä järjestyksessä.

**Varoitus!** Käytä ainoastaan iskupistokkeita. Muut kuin iskupistokkeet voivat rikkoutua ja aiheuttaa vaaratilanteita. Tarkista piste ennen käyttöä varmistaaksesi, ettei siinä ole halkeamia.

## Käytä

**Varoitus!** Anna laitteen käydä ilman kuormitusta. Vältä työkalun ylikuormittamista.

## Akun lataaminen (kuva A)

Lataa akku ennen ensimmäistä käyttökertaa ja aina silloin, kun se ei enää tuota riittävästi virtaa toimintoihin, jotka aikaisemmin hoituivat helposti. Akku voi lämmetä ladattaessa. Tämä on normaalia, eikä se ole merkki mistään viasta.

**Varoitus!** Älä lataa akkua alle 10 °C tai yli 40 °C asteen lämpötilassa. Suositeltava latauslämpötila on 24 °C.

**Huomautus:** Laturi ei lataa akkua, jos akun kennon lämpötila on alle 10 °C tai yli 40 °C.

**Akku tulee kuitenkin jättää laturiin. Laturi aloittaa lataamisen automaattisesti, kun kennon lämpötila nousee tai laskee riittävästi.**

- ◆ Lataa akku (5) asettamalla se laturiin (7). Akku sopii laturiin vain yhdessä asennossa. Älä pakota. Varmista, että akku on kunnolla laturissa.
- ◆ Kytke laturi pistorasiaan.

Latauksen merkkivalo (8) vilkkuu tasaisesti vihreänä (hitaasti). Akku on ladattu, kun latauksen merkkivalo (8) palaa keskeytyksettä vihreänä. Akku voidaan jättää laturiin, kun merkkivalo palaa. Merkkivalo voi alkaa vilkkua uudelleen vihreänä ns. täydennyslatauksen ajaksi. Latauksen merkkivalo (8) palaa niin kauan kuin akku on pistorasiaan liitetyssä laturissa.

- ◆ Lataa akut viikon kuluessa tyhjentymisestä. Akkujen käyttöikä lyhenee merkittävästi, jos ne jätetään tyhjiksi pitkäksi aikaa.

## Akun jättäminen laturiin

Akku voidaan jättää laturiin, kun merkkivalo palaa. Laturi pitää akun käyttövalmiina ja ladattuna.

## Laturin vianmääritys

Jos laturi havaitsee lähes tyhjän tai viallisen akun, latauksen merkkivalo (8) vilkkuu nopeasti punaisena. Toimi seuraavasti:

- ◆ Aseta akku (5) uudelleen laturiin.
- ◆ Jos merkkivalot vilkkuvat edelleen nopeasti punaisena, vaihda akku, jotta saat selville, toimiiko lataus asianmukaisesti.
- ◆ Jos toinen akku latautuu normaalisti, alkuperäinen akku on viallinen ja se on vietävä huoltopisteeseen kierrätettäväksi.
- ◆ Jos uusi akku antaa saman virheilmoituksen kuin alkuperäinen, vie laturi huoltopisteeseen testattavaksi.

**Huomautus:** Akun kennon määrittäminen voi kestää 60 minuuttia. Jos akku on liian kuuma tai kylmä, latauksen merkkivalo vilkkuu punaisena vuoroin nopeasti ja hitaasti.

## Pyörimissuunnan valitseminen (kuva D)

Käytä kiristämiseen eteenpäin suuntautuvaa pyörimisliikettä (myötäpäivään). Käytä irrottamiseen taaksepäin suuntautuvaa pyörimisliikettä (vastapäivään).

- ◆ Valitse pyörimissuunta eteenpäin työntämällä eteen-/taaksepäin-liikusäädintä (2) vasemmalle.
- ◆ Valitse pyörimissuunta taaksepäin työntämällä eteen-/taaksepäin-liikusäädintä oikealle.
- ◆ Lukitse työkalu siirtämällä eteen-/taaksepäin-liikusäädin keskelle.

## Ruuvaaminen ja muttereiden asettaminen

- ◆ Valitse ruuvia tai mutteria vastaava kärki.
- ◆ Valitse pyörimissuunta eteen- tai taaksepäin edellä kuvulla tavalla.
- ◆ Pidä työkalua linjassa kiinnittimen kanssa.
- ◆ Kun ruuvi on kiristetty, tarkista momentti momenttiavaimella.

## LED-työvalo

LED-työvalo (6) aktivoituu automaattisesti, kun liipaisinta painetaan. LED-työvalo syttyy, kun liipaisin painetaan osittain alas, ennen kuin laite käynnistyy.

## Vinkkejä optimaaliseen käyttöön

### Ruuvaus

- ◆ Käytä aina oikeantyyppistä ja -kokoista ruuviavainta.
- ◆ Jos ruuvien kiristäminen on hankalaa, kokeile käyttäviä liukasteena pientä määrää pesunestettä tai saippuaa.
- ◆ Pidä aina työkalu ja ruuviavain suorassa linjassa ruuvien nähdessä.

## Huolto

Tämä Stanley Fat Max -työkalu on suunniteltu toimimaan mahdollisimman pitkään mahdollisimman vähällä huollolla. Oikea käsittely ja säännöllinen puhdistus varmistavat laitteen ongelmattoman toiminnan.

Laturi ei vaadi huoltoa, ainoastaan säännöllisen puhdistuksen.

**Varoitus!** Poista akku ennen työkalun huoltamista.

Irrota laturi pistorasiasta ennen laturin puhdistamista.

- ◆ Puhdista työkalun ja laturin ilma-aukot säännöllisesti pehmeällä harjalla tai kuivalla liinalla.
- ◆ Puhdista moottorin kotelo säännöllisesti kostealla rätillä. Älä käytä hiovia tai liuotinpohjaisia puhdistusaineita.
- ◆ Avaa istukka säännöllisesti ja naputtele pöly pois sen sisältä.

## Ympäristön suojeleminen



Toimita tämä laite kierrätykseen. Tällä symbolilla merkityjä tuotteita ja akkuja ei saa hävittää tavallisen kotitalousjätteen mukana.

Tuotteissa ja akuissa on materiaaleja, jotka voidaan kerätä tai kierrättää uudelleen käyttöä varten.

Kierrätä sähkölaitteet ja akut paikallisten määräyksien mukaisesti. Lisätietoa on saatavilla osoitteessa [www.2helpU.com](http://www.2helpU.com)

## Tekniset tiedot

		FMC041
Jännite	$V_{DC}$	10,8
Kuormittaman nopeus	$Min^{-1}$	0-2500
Kuormitusisku	iskua/min	0 - 3400
Momentti enintään(PTI-menetelmä)	Nm	110
Istukan kapasiteetti	mm	6 (kuusio)
Paino	kg	1,0

Laturi		N472239/N472243
Tulojännite	$V_{AC}$	230
Lähtöjännite	$V_{DC}$	22
Virta	A	1,25
Arvioitu latausaika	min	70 (1,5Ah)

Akku		FMC086L
Jännite	$V_{DC}$	10,8
Kapasiteetti	Ah	1,5
Tyyppi		Li-Ion

### Äänenpainetaso standardin EN 62841 mukaisesti:

Äänenpaine ( $L_{pA}$ ) 91,5 dB(A), epävarmuus (K) 5 dB(A)

Äänitehotaso ( $L_{WA}$ ) 102,5 dB(A), epävarmuus (K) 5 dB(A)

Tärinän kokonaisarvot (vektorisumma) standardin EN 62841 mukaisesti:

Kiinnitys iskutoiminnolla ( $a_{h1}$ ) 12,9 m/s<sup>2</sup>, epävarmuus (K) 1,5 m/s<sup>2</sup>

## EU-vaatimustenmukaisuusvakuutus

KONEDIREKTIIVI



Langaton iskuväänin - FMC041

STANLEY Europe ilmoittaa, että tuotteet, jotka on kuvattu kohdassa "Tekniset tiedot" ovat seuraavien direktiivien vaatimusten mukaisia:

2006/42/EY, EN62841-1:2015, EN62841-2-2:2014.

Nämä tuotteet täyttävät myös direktiivien 2014/30/EY ja 2011/65/EY vaatimukset.

Lisätietoja saa ottamalla yhteyttä Stanley Fat Max -yhtiön seuraavaan osoitteeseen. Tiedot ovat myös käyttöoppaan takakannessa.

Allekirjoittaja vastaa teknisistä tiedoista ja antaa tämän vakuutuksen Stanley Europen puolesta.

*Patrick Diepenbach*

Patrick Diepenbach

Päjohtaja, Benelux

Stanley Fat Max,

Egide Walschaertsstraat 14-18,

2800 Mechelen, Belgia

27/07/2020

## Takuu

Stanley Fat Max on vakuuttunut tuotteidensa korkeasta laadusta ja tarjoaa kuluttajille 12 kuukauden takuun, joka astuu voimaan ostopäivän. Takuu on lisäys kuluttajan laillisiin oikeuksiin eikä se vaikuta niihin. Tämä takuu on voimassa kaikissa EU- ja ETA-maissa.

Edellytyksenä takuun saamiselle on, että vaade täyttää Stanley Fat Maxin ehdot ja että ostaja toimittaa ostotositteen jälleenmyyjälle tai valtuutetulle huoltoliikkeelle. Stanley Fat Maxin yhden vuoden takuun ehdot ja lähimmän valtuutetun korjauspalvelun yhteystiedot ovat saatavilla osoitteessa [www.2helpU.com](http://www.2helpU.com) tai ottamalla yhteyttä paikalliseen Stanley Fat Maxin toimipisteeseen tässä ohjekirjassa ilmoitettuihin osoitteisiin.

Käy verkkosivuillemme osoitteessa [www.blackanddecker.co.uk](http://www.blackanddecker.co.uk) ja rekisteröi uusi Stanley Fat Max -tuotteesi. Sivuilta saat myös päivityksiä uusista tuotteista ja erikoistarjouksista.



## Προβλεπόμενη χρήση

Το κρουστικό κατασφίδι Stanley Fat Max FMC041 έχει σχεδιαστεί για εφαρμογές βιδώματος και για εφαρμογές σύσφιξης παξιμαδιών. Αυτό το εργαλείο προορίζεται για επαγγελματική και ιδιωτική, μη επαγγελματική χρήση.

## Οδηγίες ασφαλείας

### Γενικές προειδοποιήσεις ασφαλείας για ηλεκτρικά εργαλεία



**Προειδοποίηση!** Διαβάστε όλες τις προειδοποιήσεις ασφαλείας, τις οδηγίες, τις απεικονίσεις και τις προδιαγραφές που συνοδεύουν αυτό το ηλεκτρικό εργαλείο. Η μη τήρηση των προειδοποιήσεων και των οδηγιών που αναφέρονται παρακάτω μπορεί να έχει ως αποτέλεσμα ηλεκτροπληξία, πυρκαγιά και/ή σοβαρή σωματική βλάβη.

**Φυλάξτε όλες τις προειδοποιήσεις και τις οδηγίες για μελλοντική αναφορά.** Ο χαρακτηρισμός "ηλεκτρικό εργαλείο" που χρησιμοποιείται σε όλες τις παρακάτω προειδοποιήσεις αφορά είτε το εργαλείο που συνδέεται στην πρίζα (με καλώδιο) είτε το εργαλείο που λειτουργεί με μπαταρία (χωρίς καλώδιο).

#### 1. Ασφάλεια χώρου εργασίας

- α. Διατηρείτε καθαρό και καλά φωτισμένο τον χώρο όπου εργάζεστε. Οι ατακτοποιητοί ή σκοτεινοί χώροι γίνονται αιτίες ατυχημάτων.
- β. Μη χρησιμοποιείτε ηλεκτρικά εργαλεία σε περιβάλλον όπου υπάρχει κίνδυνος έκρηξης, όπως με παρουσία εύφλεκτων υγρών, αερίων ή σκόνης. Τα ηλεκτρικά εργαλεία παράγουν σπινθήρες που μπορεί να προκαλέσουν ανάφλεξη της σκόνης ή των αναθυμιάσεων.
- γ. Όταν χρησιμοποιείτε ηλεκτρικό εργαλείο, κρατάτε τα παιδιά και άλλα άτομα μακριά. Παράγοντες που αποσπούν την προσοχή μπορεί να σας κάνουν να χάσετε τον έλεγχο.

#### 2. Ασφάλεια χρήση ηλεκτρικού ρεύματος

- α. Τα φισ των ηλεκτρικών εργαλείων πρέπει να ταιριάζουν στην πρίζα. Δεν επιτρέπεται με κανέναν τρόπο η μετασκευή του φισ. Μη χρησιμοποιείτε φισ προσαρμογής με γειωμένα ηλεκτρικά εργαλεία. Τα φισ που δεν έχουν υποστεί τροποποιήσεις και οι κατάλληλες πρίζες μειώνουν τον κίνδυνο ηλεκτροπληξίας.
- β. Αποφεύγετε την επαφή του σώματός σας με γειωμένες επιφάνειες, όπως σωλήνες, καλοριφέρ, κουζίνες και ψυγεία. Υπάρχει αυξημένος κίνδυνος ηλεκτροπληξίας αν το σώμα σας είναι γειωμένο.
- γ. Μην εκθέτετε τα ηλεκτρικά εργαλεία σε βροχή ή υγρασία. Η εισχώρηση νερού σε ηλεκτρικό εργαλείο αυξάνει τον κίνδυνο ηλεκτροπληξίας.

- δ. Μην κακομεταχειρίζεστε το καλώδιο. Μη χρησιμοποιείτε ποτέ το καλώδιο για να μεταφέρετε το εργαλείο, να το τραβήξετε ή να το αποσυνδέσετε από την πρίζα. Κρατάτε το καλώδιο μακριά από θερμότητα, λάδια, αιχμηρά άκρα ή κινούμενα μέρη. Τυχόν χαλασμένα ή μπερδεμένα καλώδια αυξάνουν τον κίνδυνο ηλεκτροπληξίας.
- ε. Όταν χρησιμοποιείτε ηλεκτρικό εργαλείο σε εξωτερικούς χώρους, να χρησιμοποιείτε πάντοτε καλώδιο επέκτασης κατάλληλο για χρήση σε εξωτερικούς χώρους. Η χρήση καλωδίου κατάλληλου για εργασία σε εξωτερικούς χώρους μειώνει τον κίνδυνο ηλεκτροπληξίας.
- στ. Εάν είναι αναπόφευκτη η χρήση ενός ηλεκτρικού εργαλείου σε συνθήκες υγρασίας, χρησιμοποιήστε μια παροχή που προστατεύεται από διάταξη προστασίας από ρεύμα διαρροής (RCD). Η χρήση μιας διάταξης RCD μειώνει τον κίνδυνο ηλεκτροπληξίας.

#### 3. Ατομική ασφάλεια

- α. Όταν χρησιμοποιείτε ηλεκτρικό εργαλείο, να είστε σε εγρήγορση, να συγκεντρώνετε στην εργασία που κάνετε και να επιστρατεύετε την κοινή λογική. Μη χρησιμοποιείτε ηλεκτρικό εργαλείο όταν είστε κουρασμένος/η ή υπό την επήρεια ναρκωτικών ουσιών, οινοπνεύματος ή φαρμακευτικής αγωγής. Μια στιγμή απροσεξίας κατά τη χρήση ηλεκτρικών εργαλείων μπορεί να προκαλέσει σοβαρό τραυματισμό.
- β. Χρησιμοποιείτε ατομικό εξοπλισμό προστασίας. Πάντα φοράτε προστασία ματιών. Ο εξοπλισμός προστασίας, όπως μάσκα κατά της σκόνης, αντιολισθητικά παπούτσια ασφαλείας, κράνος ή προστασία ακοής, όταν χρησιμοποιείται για τις κατάλληλες συνθήκες, θα μειώσει τους τραυματισμούς και τις σωματικές βλάβες.
- γ. Αποτρέψτε την ακούσια ενεργοποίηση. Βεβαιωθείτε ότι ο διακόπτης βρίσκεται στη θέση απενεργοποίησης, πριν συνδέσετε το εργαλείο στην πηγή ρεύματος και/ή τοποθετήσετε το πακέτο μπαταρίας, καθώς και πριν πάρετε στα χέρια σας ή μεταφέρετε το εργαλείο. Η μεταφορά ηλεκτρικών εργαλείων με το δάκτυλο στον διακόπτη ή η σύνδεση εργαλείων στην πηγή ρεύματος με τον διακόπτη στη θέση ενεργοποίησης ενέχουν κίνδυνο ατυχήματος.
- δ. Πριν θέσετε το ηλεκτρικό εργαλείο σε λειτουργία, αφαιρέστε τυχόν εργαλεία ή κλειδιά ρύθμισης. Αν ένα μηχανικό κλειδί ή κλειδί ρύθμισης ξεχαστεί συνδεδεμένο σε περιστρεφόμενο εξάρτημα του ηλεκτρικού εργαλείου, αυτό μπορεί να έχει ως αποτέλεσμα τραυματισμό ατόμων.
- ε. Μην τεντώνετε υπερβολικά. Διατηρείτε πάντα σταθερή στήριξη στα πόδια σας και καλή ισορροπία. Έτσι μπορείτε να έχετε καλύτερο έλεγχο του ηλεκτρικού εργαλείου σε μη αναμενόμενες καταστάσεις.

- στ. Φοράτε κατάλληλη ενδυμασία εργασίας. Μη φοράτε φαρδιάς εφαρμογής ενδύματα ή κοσμήματα. Κρατάτε τα μαλλιά, τα ρούχα και τα γάντια σας μακριά από κινούμενα μέρη. Τα φαρδιά ρούχα, τα κοσμήματα και τα μακριά μαλλιά μπορούν να πιαστούν σε κινούμενα μέρη.
- ζ. Αν παρέχονται διατάξεις για τη σύνδεση συστημάτων απομάκρυνσης και συλλογής της σκόνης, βεβαιωθείτε ότι αυτές είναι συνδεδεμένες και χρησιμοποιούνται κατάλληλα. Η χρήση διατάξεων συλλογής της σκόνης μπορεί να μειώσει τους κινδύνους που προέρχονται από τη σκόνη.
- η. Μην αφήνετε την εξοικείωση που έχετε αποκτήσει από τη συχνή χρήση εργαλείων να σας επιτρέψει να εφησυχάσετε ώστε να αγνοείτε τις αρχές ασφαλούς χρήσης των εργαλείων. Μια απρόσεκτη ενέργεια μπορεί να προκαλέσει βαρύ τραυματισμό μέσα σε κλάσματα του δευτερολέπτου.
4. Χρήση και φροντίδα ηλεκτρικών εργαλείων
- α. Μην υπερφορτώνετε το ηλεκτρικό εργαλείο. Χρησιμοποιείτε το σωστό ηλεκτρικό εργαλείο για την εφαρμογή. Το σωστό ηλεκτρικό εργαλείο θα εκτελέσει την εργασία καλύτερα και ασφαλέστερα, με την ένταση χρήσης για την οποία σχεδιάστηκε.
- β. Μη χρησιμοποιήσετε ηλεκτρικό εργαλείο αν ο διακόπτης του δεν μπορεί να το ενεργοποιεί και απενεργοποιεί. Οποιοδήποτε εργαλείο δεν μπορεί να ελεγχθεί μέσω του διακόπτη του, είναι επικίνδυνο και πρέπει να επισκευαστεί.
- γ. Αποσυνδέστε το φις από την πηγή ρεύματος και/ή το πακέτο μπαταριών από το ηλεκτρικό εργαλείο, πριν διεξάγετε οποιαδήποτε ρύθμιση, αλλαγή αξεσουάρ ή όταν πρόκειται να αποθηκεύσετε το ηλεκτρικό εργαλείο. Τέτοια προληπτικά μέτρα ασφαλείας μειώνουν τον κίνδυνο αθέλητης εκκίνησης του ηλεκτρικού εργαλείου.
- δ. Να φυλάσσετε μακριά από παιδιά τα ηλεκτρικά εργαλεία που δεν χρησιμοποιείτε. Μην αφήνετε να χρησιμοποιήσουν ηλεκτρικό εργαλείο άτομα που δεν είναι εξοικειωμένα με αυτό ή άτομα που δεν έχουν διαβάσει αυτές τις οδηγίες χρήσης. Τα ηλεκτρικά εργαλεία είναι επικίνδυνα στα χέρια μη εκπαιδευμένων χρηστών.
- ε. Συντηρείτε τα ηλεκτρικά εργαλεία και τα αξεσουάρ. Ελέγχετε για προβλήματα ευθυγράμμισης ή για μάγκωμα των κινούμενων εξαρτημάτων, θραύση εξαρτημάτων, καθώς και για οποιοδήποτε άλλο πρόβλημα μπορεί να επηρεάσει τη λειτουργία των ηλεκτρικών εργαλείων. Αν το ηλεκτρικό εργαλείο έχει υποστεί ζημιά, φροντίστε να επισκευαστεί πριν το χρησιμοποιήσετε. Η ανεπαρκής συντήρηση των ηλεκτρικών εργαλείων αποτελεί αιτία πολλών ατυχημάτων.
- στ. Διατηρείτε τα κοπτικά εργαλεία κοφτερά και καθαρά. Τα κατάλληλα συντηρημένα εργαλεία κοπής με αιχμηρά άκρα κοπής έχουν μικρότερες πιθανότητες να μαγκώσουν και ελέγχονται ευκολότερα.
- ζ. Χρησιμοποιείτε το ηλεκτρικό εργαλείο, τα αξεσουάρ και τα εξαρτήματα εργασίας των εργαλείων κλπ. σύμφωνα με τις παρούσες οδηγίες, λαμβάνοντας υπόψη σας τις συνθήκες εργασίας και την εργασία που θέλετε να εκτελέσετε. Η χρήση του ηλεκτρικού εργαλείου για εργασίες διαφορετικές από τις προβλεπόμενες θα μπορούσε να οδηγήσει σε επικίνδυνη κατάσταση.
- η. Διατηρείτε τις λαβές και τις επιφάνειες κρατήματος στεγνές, καθαρές και απαλλαγμένες από λάδι και γράσο. Οι ολισθηρές λαβές και επιφάνειες κρατήματος δεν επιτρέπουν τον ασφαλή χειρισμό και έλεγχο του εργαλείου σε μη αναμενόμενες καταστάσεις.
5. Χρήση και φροντίδα εργαλείων μπαταρίας
- α. Να επαναφορτίζετε μόνο με τον φορτιστή που καθορίζει ο κατασκευαστής. Ένας φορτιστής που είναι κατάλληλος για ένα τύπο πακέτου μπαταριών μπορεί να δημιουργήσει κίνδυνο πυρκαγιάς όταν χρησιμοποιείται με άλλο πακέτο μπαταριών.
- β. Χρησιμοποιείτε τα ηλεκτρικά εργαλεία αποκλειστικά και μόνο με τα καθοριζόμενα πακέτα μπαταριών. Η χρήση άλλων πακέτων μπαταριών μπορεί να προκαλέσει κίνδυνο τραυματισμού και πυρκαγιάς.
- γ. Όταν το πακέτο μπαταριών δεν χρησιμοποιείται, κρατάτε το μακριά από άλλα μεταλλικά αντικείμενα, όπως συνδετήρες, κέρματα, κλειδιά, καρφιά, βίδες ή άλλα μικρά μεταλλικά αντικείμενα που μπορούν να βραχυκυκλώσουν τους δύο ακροδέκτες του. Εάν βραχυκυκλώσουν οι πόλοι της μπαταρίας μπορεί να προκληθούν εγκαύματα ή πυρκαγιά.
- δ. Αν οι μπαταρίες υποστούν κακομεταχείριση, μπορεί να διαρρεύσει υγρό. Αποφύγετε την επαφή. Αν κατά λάθος έρθετε σε επαφή, ξεπλύνετε με νερό. Αν το υγρό έρθει σε επαφή με τα μάτια, ζητήστε επιπλέον και ιατρική βοήθεια. Το υγρό που εξέρχεται από την μπαταρία μπορεί να προκαλέσει ερεθισμούς ή εγκαύματα.
6. Σέρβις
- α. Το σέρβις του ηλεκτρικού σας εργαλείου πρέπει να το αναλαμβάνει έμπειρος τεχνικός που χρησιμοποιεί μόνο γνήσια ανταλλακτικά. Έτσι θα εξασφαλίσετε τη διατήρηση της ασφάλειας του ηλεκτρικού εργαλείου.
- β. Ποτέ μην κάνετε σέρβις σε πακέτα ΜΠΑΤΑΡΙΩΝ που έχουν υποστεί ζημιά. Το σέρβις των πακέτων ΜΠΑΤΑΡΙΩΝ πρέπει να γίνεται μόνο από τον κατασκευαστή ή από εξουσιοδοτημένους παρόχους σέρβις.

## Πρόσθετες προειδοποιήσεις ασφαλείας για ηλεκτρικά εργαλεία



**Προειδοποίηση!** Πρόσθετες προειδοποιήσεις ασφαλείας για κρουστικά κατσαβίδια

- ♦ **Όταν χρησιμοποιείτε κρουστικά δράπανα, να φοράτε ωτοασπίδες.** Η έκθεση σε θόρυβο μπορεί να προκαλέσει απώλεια ακοής.
- ♦ **Χρησιμοποιείτε τις βοηθητικές λαβές που παρέχονται μαζί με το εργαλείο.** Η απώλεια ελέγχου μπορεί να προκαλέσει σωματική βλάβη.
- ♦ **Κρατάτε το ηλεκτρικό εργαλείο από μονωμένες επιφάνειες κρατήματος όταν εκτελείτε μια εργασία όπου το στοιχείο στερέωσης μπορεί να έρθει σε επαφή με αθέατα καλώδια.** Αν η βίδα έρθει σε επαφή με καλώδιο υπό τάση μπορεί να θεθούν υπό ηλεκτρική τάση και τα εκτεθειμένα μεταλλικά μέρη του ηλεκτρικού εργαλείου και να προκληθεί ηλεκτροπληξία στο χειριστή.
- ♦ Χρησιμοποιείτε σφιγκτήρες ή άλλο πρακτικό τρόπο για να στερεώνετε και να στηρίζετε το αντικείμενο εργασίας σε σταθερό υπόβαθρο. Αν κρατάτε το αντικείμενο εργασίας με το χέρι σας ή κόντρα στο σώμα σας, αυτό δεν είναι σταθερό και μπορεί να προκληθεί απώλεια ελέγχου.
- ♦ Αυτό το εργαλείο δεν προορίζεται για χρήση από άτομα (στα οποία περιλαμβάνονται και τα παιδιά) με μειωμένες σωματικές, αισθητηριακές ή διανοητικές ικανότητες ή άτομα χωρίς εμπειρία και γνώσεις, παρά μόνο εφόσον επιτηρούνται ή τους έχουν δοθεί οδηγίες σχετικά με τη χρήση της συσκευής από άτομο υπεύθυνο για την ασφαλεία τους. Τα παιδιά πρέπει να επιτηρούνται για να διασφαλίζεται ότι δεν παίζουν με το εργαλείο.
- ♦ Η προβλεπόμενη χρήση περιγράφεται στο παρόν εγχειρίδιο οδηγιών. Η χρήση οποιοδήποτε αξεσουάρ ή προσαρτήματος ή η εκτέλεση με αυτό το εργαλείο οποιασδήποτε άλλης εργασίας πέραν από αυτές που συνιστώνται στο παρόν εγχειρίδιο οδηγιών ενδέχεται να εγκυμονεί κίνδυνο τραυματισμού και/ή υλικών ζημιών.



**Προειδοποίηση!** Τα κρουστικά κλειδιά δεν είναι ροτόκλειδα. Μην χρησιμοποιείτε αυτό το εργαλείο για τη σύσφιξη στοιχείων στερέωσης σε καθορισμένες τιμές ροπής. Μια ξεχωριστή, βαθμονομημένη συσκευή μέτρησης ροπής, όπως ένα ροτόκλειδο, θα πρέπει να χρησιμοποιηθεί όταν κάποιος σύνδεσμος ο οποίος έχει σφιχτεί είτε υπερβολικά είτε ελλιπώς μπορεί να οδηγήσει σε αστοχία μιας σύνδεσης.

## Ασφάλεια τρίτων

- ♦ Αυτό το εργαλείο δεν προορίζεται για χρήση από άτομα (στα οποία περιλαμβάνονται και τα παιδιά) με μειωμένες φυσικές, αντιληπτικές ή διανοητικές ικανότητες ή άτομα χωρίς εμπειρία και γνώσεις, παρά μόνο εφόσον επιτη-

ρούνται ή τους έχουν δοθεί οδηγίες σχετικά με τη χρήση του εργαλείου από άτομο υπεύθυνο για την ασφαλεία τους.

- ♦ Τα παιδιά πρέπει να επιτηρούνται για να διασφαλίζεται ότι δεν παίζουν με το εργαλείο.

## Υπολειπόμενοι κίνδυνοι

Κατά τη χρήση του εργαλείου μπορεί να προκύψουν πρόσθετοι υπολειπόμενοι κίνδυνοι, οι οποίοι ενδέχεται να μη συμπεριλαμβάνονται στις προειδοποιήσεις ασφαλείας που εσωκλείονται. Αυτοί οι κίνδυνοι μπορεί να προκληθούν από κακή χρήση, παρατεταμένη χρήση κλπ.

Παρά την εφαρμογή των σχετικών κανονισμών ασφαλείας και τη χρήση διατάξεων ασφαλείας, ορισμένοι υπολειπόμενοι κίνδυνοι δεν είναι δυνατό να αποφευχθούν. Σε αυτούς περιλαμβάνονται:

- ♦ Τραυματισμοί από επαφή με οποιαδήποτε περιστρεφόμενα/κινούμενα μέρη.
- ♦ Τραυματισμοί κατά την αλλαγή οποιωνδήποτε εξαρτημάτων, λεπίδων ή αξεσουάρ.
- ♦ Σωματικές βλάβες από παρατεταμένη χρήση εργαλείου. Όταν χρησιμοποιείτε οποιοδήποτε εργαλείο για παρατεταμένα χρονικά διαστήματα, μην παραλείπετε με κανένα τρόπο να κάνετε τακτικά διαλείμματα.
- ♦ Βλάβη της ακοής.
- ♦ Κίνδυνοι στην υγεία που προκαλούνται από την εισπνοή σκόνης όταν χρησιμοποιείτε το εργαλείο (παράδειγμα: όταν επεξεργάζεστε ξύλο, ειδικά δρυ, οξιά και MDF).

## Κραδασμοί

Η δηλωμένη τιμή εκπομπής κραδασμών που αναφέρεται στα τεχνικά χαρακτηριστικά και τη δήλωση συμμόρφωσης έχει μετρηθεί σύμφωνα με τυποποιημένη μέθοδο δοκιμής που προβλέπεται από το πρότυπο EN62841 και μπορεί να χρησιμοποιηθεί για τη σύγκριση ενός εργαλείου με ένα άλλο. Η δηλωμένη τιμή εκπομπής κραδασμών μπορεί επίσης να χρησιμοποιηθεί σε έναν προκαταρκτικό προσδιορισμό της έκθεσης σε κραδασμούς.

**Προειδοποίηση!** Η τιμή εκπομπής κραδασμών κατά την πραγματική χρήση του ηλεκτρικού εργαλείου μπορεί να διαφέρει από τη δηλωμένη τιμή, ανάλογα με τον τρόπο που χρησιμοποιείται το εργαλείο. Το επίπεδο κραδασμών μπορεί να αυξηθεί πάνω από το επίπεδο που έχει δηλωθεί.

Κατά τον προσδιορισμό της έκθεσης σε κραδασμούς για τον καθορισμό των απαιτούμενων μέτρων ασφαλείας σύμφωνα με την οδηγία 2002/44/ΕΚ για την προστασία προσώπων που χρησιμοποιούν συχνά ηλεκτρικά εργαλεία στην εργασία τους, μια προεγγιστική εκτίμηση της έκθεσης σε κραδασμούς πρέπει να λαμβάνει υπόψη τις πραγματικές συνθήκες χρήσης και τον τρόπο χρήσης του εργαλείου, συμπεριλαμβανομένων και όλων των επιμέρους τμημάτων του κύκλου εργασίας, όπως πόσες φορές τέθηκε το εργαλείο εκτός λειτουργίας, τότε είναι σε λειτουργία χωρίς φορτίο, επιπλέον του χρόνου πίεσης της σκανδάλης.

## Ετικέτες πάνω στο εργαλείο

Τα εικονογράμματα που ακολουθούν μαζί με τον κωδικό ημερομηνίας εμφανίζονται πάνω στο εργαλείο:



**Προειδοποίηση!** Για να μειωθεί ο κίνδυνος τραυματισμού, ο χρήστης πρέπει να διαβάσει το εγχειρίδιο οδηγιών.



Όταν χρησιμοποιείτε κρουστικά δράπανα, να φοράτε ωτοασπίδες. Η έκθεση σε θόρυβο μπορεί να προκαλέσει απώλεια ακοής



Μην κοιτάζετε απευθείας στη λάμπα λειτουργίας

## Συμπληρωματικές οδηγίες ασφαλείας για τις μπαταρίες και τους φορτιστές

### Μπαταρίες

- ◆ Ποτέ μην επιχειρήσετε να ανοίξετε το προϊόν, για κανένα λόγο.
- ◆ Μην εκθέτετε την μπαταρία σε νερό.
- ◆ Μην φυλάσσετε τις μπαταρίες σε μέρη όπου η θερμοκρασία μπορεί να υπερβεί τους 40 °C.
- ◆ Η φόρτιση πρέπει να γίνεται μόνο σε θερμοκρασίες περιβάλλοντος μεταξύ 10 °C και 40°C.
- ◆ Φορτίζετε μόνο με τον φορτιστή που παρέχεται με το εργαλείο.
- ◆ Όταν απορρίπτετε μπαταρίες, ακολουθείτε τις οδηγίες που δίνονται στην ενότητα "Προστασία του περιβάλλοντος".

### Φορτιστές

- ◆ Ο φορτιστής STANLEY FAT MAX πρέπει να χρησιμοποιείται αποκλειστικά και μόνο για τη φόρτιση της μπαταρίας του εργαλείου το οποίο συνοδεύει. Άλλες μπαταρίες μπορεί να εκραγούν, προκαλώντας τραυματισμό και ζημιές.
- ◆ Μην επιχειρείτε να φορτίσετε μη επαναφορτιζόμενες μπαταρίες.
- ◆ Φροντίζετε να αντικαθίστανται άμεσα τα καλώδια που παρουσιάζουν βλάβη.
- ◆ Μην εκθέσετε τον φορτιστή σε νερό.
- ◆ Μην ανοίξετε τον φορτιστή.
- ◆ Μην εισάγετε αντικείμενα στον φορτιστή.



Ο φορτιστής προορίζεται για χρήση σε εσωτερικούς χώρους και μόνο.



Διαβάστε αυτό το εγχειρίδιο οδηγιών πριν από τη χρήση.



Μην επιχειρήσετε να φορτίσετε μπαταρίες που έχουν υποστεί ζημιά.

## Ασφαλής χρήση ηλεκτρικού ρεύματος

Ο φορτιστής σας φέρει διπλή μόνωση, επομένως δεν απαιτείται αγωγός γείωσης.



Ελέγχετε πάντα αν η τάση τροφοδοσίας αντιστοιχεί σε αυτήν που αναγράφεται στην πινακίδα στοιχείων. Ποτέ μην επιχειρήσετε να αντικαταστήσετε τη μονάδα φορτιστή με έναν κανονικό φως ρεύματος δικτύου.

- ◆ Αν το καλώδιο ρεύματος έχει υποστεί ζημιά, αυτό πρέπει να αντικατασταθεί από τον κατασκευαστή ή από ένα εξουσιοδοτημένο κέντρο επισκευών της STANLEY FAT MAX, ώστε να μην αποτελέσει κίνδυνο

## Χαρακτηριστικά

Στο εργαλείο αυτό διατίθενται ορισμένα ή όλα τα παρακάτω χαρακτηριστικά.

1. Διακόπτης ρύθμισης ταχύτητας
2. Συρόμενος επιλογέας κίνησης εμπρός/όπισθεν
3. Τσοκ
4. Κολάρο τσοκ
5. Μπαταρία
6. Φως εργασίας LED

## Εικ. Α

7. Φορτιστής
8. Ενδεικτική λυχνία φόρτισης

## Συναρμολόγηση

**Προειδοποίηση!** Πριν από τη συναρμολόγηση, αφαιρέστε την μπαταρία από το εργαλείο.

### Τοποθέτηση και αφαίρεση της μπαταρίας (εικ. Β)

- ◆ Για να τοποθετήσετε την μπαταρία (5), ευθυγραμμίστε την με την υποδοχή στο εργαλείο. Τοποθετήστε την μπαταρία μέσα στην υποδοχή και σπρώξτε την μέχρι να ασφαλίσει στη θέση της.
- ◆ Για να αφαιρέσετε την μπαταρία, πατήστε τα κουμπιά απελευθέρωσης (5a) και ταυτόχρονα τραβήξτε την μπαταρία έξω από την υποδοχή.

### Τοποθέτηση και αφαίρεση μιας μύτης κατασιδιδιού ή ενός καρυδιού (εικ. C)

Το εργαλείο αυτό είναι εξοπλισμένο με τσοκ ταχείας απελευθέρωσης για την εύκολη αλλαγή των μυτών.

**Προειδοποίηση!** Βεβαιωθείτε ότι το εργαλείο είναι ασφαλισμένο, ώστε να αποτραπεί τυχόν ενεργοποίηση του διακόπτη πριν από την τοποθέτηση ή την αφαίρεση αξεσουάρ.

- ◆ Ασφαλίστε το εργαλείο θέτοντας τον συρόμενο επιλογέα κίνησης εμπρός/όπισθεν (2) στην κεντρική θέση.
- ◆ Τραβήξτε και κρατήστε το κολάρο του τσοκ (4) αντίθετα από το μπροστινό μέρος του εργαλείου.
- ◆ Εισαγάγετε τον άξονα της μύτης (8) στο τσοκ (3).
- ◆ Απελευθερώστε το κολάρο. Το αξεσουάρ έχει ασφαλίσει στη θέση του.

**Σημείωση!** Για την αφαίρεση της μύτης/καρυδιού επαναλάβετε τα παραπάνω βήματα.

**Προειδοποίηση!** Χρησιμοποιείτε μόνο κρουστικά καρυδάκια. Τα μη κρουστικά καρυδάκια μπορεί να στάσουν και να προκαλέσουν επικίνδυνη κατάσταση. Ελέγχετε το καρυδάκι πριν τη χρήση για να βεβαιωθείτε ότι δεν έχει ρωγμές.

## Χρήση

**Προειδοποίηση!** Αφήνετε το εργαλείο να λειτουργήσει με τον δικό του ρυθμό. Μην το υπερφορτώνετε.

### Φόρτιση της μπαταρίας (εικ. Α)

Η μπαταρία πρέπει να φορτίζεται πριν από την πρώτη χρήση και όποτε αδυνατεί να παρέχει επαρκή ισχύ σε εργασίες που παλιά ήταν εύκολη η εκτέλεσή τους. Η μπαταρία μπορεί να θερμαίνεται κατά τη φόρτιση. Κάτι τέτοιο είναι φυσιολογικό και δεν υποδηλώνει πρόβλημα.

**Προειδοποίηση!** Μη φορτίζετε την μπαταρία σε θερμοκρασίες περιβάλλοντος κάτω από 10 °C ή πάνω από 40 °C. Η συνιστώμενη θερμοκρασία φόρτισης είναι περίπου 24 °C.

**ΣΗΜΕΙΩΣΗ:** Ο φορτιστής δεν θα φορτίσει μια μπαταρία με θερμοκρασία στοιχείων κάτω από περίπου 10 °C ή πάνω από 40 °C.

Η μπαταρία θα πρέπει να μείνει στο φορτιστή και αυτός θα αρχίσει να τη φορτίζει αυτόματα μόλις η θερμοκρασία στοιχείων αυξηθεί ή μειωθεί αντίστοιχα.

- ♦ Για να φορτίσετε την μπαταρία (5), εισάγετέ τη στον φορτιστή (7). Η μπαταρία μπορεί να τοποθετηθεί στον φορτιστή μόνο με έναν τρόπο. Μην ασκείτε άσκοπη δύναμη. Βεβαιωθείτε ότι η μπαταρία είναι τοποθετημένη σωστά στον φορτιστή.
- ♦ Συνδέστε τον φορτιστή στην πρίζα και ενεργοποιήστε τον από το δίκτυο ρεύματος.

Η ενδεικτική λυχνία φόρτισης (8) θα αρχίσει να αναβοσβήνει συνεχώς (αργά) με πράσινο χρώμα.

Η φόρτιση έχει ολοκληρωθεί όταν η ενδεικτική λυχνία φόρτισης (8) ανάψει σταθερά με πράσινο χρώμα. Ο φορτιστής και η μπαταρία μπορούν να παραμείνουν συνδεδεμένα επ' αόριστον όσο η ενδεικτική λυχνία LED είναι αναμμένη. Η ενδεικτική λυχνία LED αρχίζει να αναβοσβήνει με πράσινο χρώμα (φόρτιση), καθώς ο φορτιστής αναπληρώνει περιστασιακά το φορτίο της μπαταρίας. Η ενδεικτική λυχνία φόρτισης (8) παραμένει αναμμένη για όσο διάστημα η μπαταρία είναι συνδεδεμένη με τον φορτιστή στην πρίζα.

- ♦ Φορτίζετε τις αποφορτισμένες μπαταρίες εντός 1 εβδομάδας. Η διάρκεια ζωής μιας μπαταρίας μειώνεται σημαντικά αν αποθηκευτεί σε αποφορτισμένη κατάσταση.

### Παραμονή της μπαταρίας στον φορτιστή

Ο φορτιστής και το πακέτο μπαταριών μπορούν να παραμείνουν συνδεδεμένα επ' αόριστον με τη λυχνία LED αναμμένη. Ο φορτιστής θα διατηρήσει το πακέτο μπαταριών πλήρως φορτισμένο.

### Διαγνωστικά φορτιστή

Εάν ο φορτιστής εντοπίσει μια μπαταρία που είναι εξασθενημένη ή έχει υποστεί ζημιά, η ενδεικτική λυχνία φόρτισης (8) θα αρχίσει να αναβοσβήνει γρήγορα με κόκκινο χρώμα. Προχωρήστε ως εξής:

- ♦ Επανατοποθετήστε την μπαταρία (5).
- ♦ Εάν η ενδεικτική λυχνία φόρτισης συνεχίσει να αναβοσβήνει γρήγορα με κόκκινο χρώμα, χρησιμοποιήστε άλλη μπαταρία για να εξακριβώσετε εάν η διαδικασία φόρτισης εκτελείται σωστά.
- ♦ Εάν η νέα μπαταρία φορτίζεται σωστά, αυτό σημαίνει ότι η αρχική μπαταρία είναι ελαττωματική και θα πρέπει να επιστραφεί σε ένα κέντρο τεχνικής εξυπηρέτησης για ανακύκλωση.
- ♦ Εάν η νέα μπαταρία δίνει την ίδια ένδειξη με την αρχική μπαταρία, παραδώστε τον φορτιστή για έλεγχο σε ένα εξουσιοδοτημένο κέντρο τεχνικής εξυπηρέτησης.

**ΣΗΜΕΙΩΣΗ:** Μπορεί να χρειαστούν μέχρι και 60 λεπτά για να εξακριβωθεί εάν η μπαταρία είναι ελαττωματική. Εάν η μπαταρία είναι πολύ ζεστή ή πολύ κρύα, η ενδεικτική λυχνία LED θα αναβοσβήνει με κόκκινο χρώμα σε γρήγορο και αργό ρυθμό εναλλάξ, μια αναλαμπή σε κάθε ρυθμό και κατ' επανάληψη.

### Επιλογή της κατεύθυνσης περιστροφής (εικ. D)

Για σφίξιμο, χρησιμοποιήστε την προς τα εμπρός (δεξιόστροφη) περιστροφή. Για ξεβίδωμα χρησιμοποιείτε περιστροφή όπισθεν (αριστερόστροφη).

- ♦ Για να επιλέξετε περιστροφική κίνηση εμπρός, πιέστε τον συρόμενο επιλογέα κίνησης εμπρός/όπισθεν (2) προς τα αριστερά.
- ♦ Για να επιλέξετε περιστροφική κίνηση όπισθεν, πιέστε τον συρόμενο επιλογέα κίνησης εμπρός/όπισθεν προς τα δεξιά.
- ♦ Για να ασφαλίσετε το εργαλείο, θέστε τον συρόμενο επιλογέα κίνησης εμπρός/όπισθεν στην κεντρική θέση.

### Βίδωμα / σφίξιμο παξιμαδιών

- ♦ Επιλέξτε κατάλληλη μύτη / καρυδάκι για τη βίδα ή το παξιμάδι που θα βιδωθεί.
- ♦ Επιλέξτε περιστροφική κίνηση προς τα εμπρός ή πίσω, όπως περιγράφεται παραπάνω.
- ♦ Κρατάτε το εργαλείο σε ευθεία με το στοιχείο στερέωσης.
- ♦ Μετά τη σύσφιξη, ελέγξτε τη ροπή με ένα ροπόκλειδο.

### Φως εργασίας LED

Το φως εργασίας LED (6) ανάβει αυτόματα όταν πιέζετε τη σκανδάλη. Το φως εργασίας LED θα ανάψει όταν πιέζετε εν μέρει τη σκανδάλη, πριν ξεκινήσει η λειτουργία της μονάδας.

### Συμβουλές για βέλτιστη χρήση

#### Βίδωμα

- ♦ Πάντα χρησιμοποιείτε μύτες καταβιδιού του κατάλληλου τύπου και μεγέθους.

- ◆ Εάν συναντήσετε δυσκολία κατά τη σύσφιξη βιδών, δοκιμάστε να τις περάσετε με μια μικρή ποσότητας υγρού πλυσίματος ή σαπουνιού ως λιπαντικό.
- ◆ Πάντα διατηρείτε το εργαλείο και τη μύτη καταβιδιού σε ευθεία γραμμή με τη βίδα.

## Συντήρηση

Αυτό το εργαλείο της Stanley Fat Max έχει σχεδιαστεί έτσι ώστε να λειτουργεί για μεγάλο χρονικό διάστημα με την ελάχιστη δυνατή συντήρηση. Η συνεχής ικανοποιητική λειτουργία του εργαλείου εξαρτάται από τη σωστή φροντίδα και τον τακτικό καθαρισμό του.

Ο φορτιστής σας δεν χρειάζεται οποιαδήποτε συντήρηση πέραν του τακτικού καθαρισμού.

**Προειδοποίηση!** Πριν πραγματοποιήσετε κάποια συντήρηση στο εργαλείο, αφαιρέστε την μπαταρία από το εργαλείο. Πριν καθαρίσετε τον φορτιστή, αποσυνδέστε τον από την πρίζα.

- ◆ Καθαρίζετε τακτικά τις εγχοπές εξαιρισμού του εργαλείου και του φορτιστή χρησιμοποιώντας μια μαλακή βούρτσα ή ένα στεγνό πανί.
- ◆ Καθαρίζετε τακτικά το περίβλημα του μοτέρ χρησιμοποιώντας ένα ελαφρά υγρό πανί. Μη χρησιμοποιείτε καθαριστικά που χαράζουν ή περιέχουν διαλύτες.
- ◆ Να ανοίγετε τακτικά το τσοκ και να το χτυπάτε ελαφρά για να αφαιρείται η σκόνη από το εσωτερικό του.

## Προστασία του περιβάλλοντος



Χωριστή συλλογή. Τα προϊόντα και οι μπαταρίες που επισημαίνονται με αυτό το σύμβολο δεν πρέπει να απορρίπτονται μαζί με τα κανονικά οικιακά απορρίμματα.

Τα προϊόντα και οι μπαταρίες περιέχουν υλικά που μπορούν να ανακτηθούν ή να ανακυκλωθούν ώστε να μειωθούν οι ανάγκες για πρώτες ύλες.

Παρακαλούμε να ανακυκλώνετε τα ηλεκτρικά προϊόντα και τις μπαταρίες σύμφωνα με τους τοπικούς κανονισμούς. Περισσότερες πληροφορίες διατίθενται στον ιστότοπο [www.2helpU.com](http://www.2helpU.com)

## Τεχνικά χαρακτηριστικά

		FMC041
Τάση	$V_{DC}$	10,8
Ταχύτητα χωρίς φορτίο	$\text{min}^{-1}$	0-2500
Κρούσεις	bpm	0 - 3400
Μέγ. ροπή (μέθοδος PTI)	Nm	110
Μέγεθος τσοκ	mm	6 (εξαγωνικό)
Βάρος	kg	1,0

Φορτιστής		N472239/N472243
Τάση εισόδου	$V_{AC}$	230
Τάση εξόδου	$V_{DC}$	22
Ρεύμα	A	1,25
Χρόνος φόρτισης κατά προσέγγιση	λεπτά	70 (1,5 Ah)

Μπαταρία		FMC086L
Τάση	$V_{DC}$	10,8
Χωρητικότητα	Ah	1,5
Τύπος		Ιόντων Λιθίου

### Στάθμη ηχητικής πίεσης κατά EN 62841:

Ηχητική πίεση ( $L_{pA}$ ) 91,5 dB(A), αβεβαιότητα (K) 5 dB(A)

Ηχητική ισχύς ( $L_{WA}$ ) 102,5 dB(A), αβεβαιότητα (K) 5 dB(A)

### Συνολικές τιμές κραδασμών (διανυσματικό άθροισμα τριών αξόνων) κατά EN 62841:

Βιβώμα με κρούση ( $a_{hv}$ ) 12,9  $\text{m/s}^2$ , αβεβαιότητα (K) 1,5  $\text{m/s}^2$

## Δήλωση συμμόρφωσης EK

ΟΔΗΓΙΑ ΠΕΡΙ ΜΗΧΑΝΗΜΑΤΩΝ



Κρουστικό καταβιδι μπαταρίας - FMC041

Η STANLEY Europe δηλώνει ότι τα προϊόντα αυτά που περιγράφονται στα "τεχνικά χαρακτηριστικά" συμμορφώνονται με τα ακόλουθα:

2006/42/EK, EN62841-1:2015, EN62841-2-2:2014.

Αυτά τα προϊόντα συμμορφώνονται επίσης με την Οδηγία 2014/30/EE και 2011/65/EE.

Για περισσότερες πληροφορίες, επικοινωνήστε με την Stanley Fat Max στην παρακάτω διεύθυνση ή ανατρέξτε στο πίσω μέρος του εγχειριδίου.

Ο κάτωθι υπογεγραμμένος είναι υπεύθυνος για την κατάρτιση του τεχνικού φακέλου και δηλώνει τα παρόντα εκ μέρους της Stanley Europe.

*Patrick Diepenbach*

Patrick Diepenbach

Γενικός Διευθυντής, Μπενελούξ

Stanley Fat Max,

Egide Walschaertsstraat 14-18

2800 Mechelen, Belgium (Βέλγιο)

27/07/2020



## Εγγύηση

Η Stanley Fat Max είναι σίγουρη για την ποιότητα των προϊόντων της και προσφέρει στους καταναλωτές εγγύηση 12 μηνών από την ημερομηνία αγοράς. Αυτή η εγγύηση αποτελεί πρόσθετο δικαίωμά σας και δεν ζημιώνει τα νόμιμα δικαιώματά σας. Η εγγύηση ισχύει εντός της επικράτειας των χωρών μελών της Ευρωπαϊκής Ένωσης και της Ευρωπαϊκής Ζώνης Ελεύθερων Συναλλαγών.

Για να υποβάλετε αξίωση βάσει της εγγύησης, η αξίωση θα πρέπει να είναι σύμφωνη με τους Όρους και προϋποθέσεις της Stanley Fat Max και θα χρειαστεί να υποβάλετε την απόδειξη αγοράς στον πωλητή ή σε εξουσιοδοτημένο αντιπρόσωπο επισκευών. Μπορείτε να αποκτήσετε τους Όρους και προϋποθέσεις της εγγύησης 1 ετών της Stanley Fat Max και να μάθετε την τοποθεσία του πλησιέστερου εξουσιοδοτημένου αντιπροσώπου επισκευών στο Internet στο [www.2helpU.com](http://www.2helpU.com), ή επικοινωνώντας με το τοπικό σας γραφείο Stanley Fat Max στη διεύθυνση που υποδεικνύεται στο παρόν εγχειρίδιο.

Παρακαλούμε επισκεφθείτε την ιστοσελίδα μας [www.blackanddecker.gr](http://www.blackanddecker.gr) για να καταχωρίσετε το νέο σας προϊόν Stanley Fat Max και για να ενημερώνεστε για τα νέα προϊόντα και τις ειδικές προσφορές.



<b>België/Belgique</b>	Stanley Fat Max E. Walschaertstraat 14-16 2800 Mechelen Belgium	De. Tel. +32 70 220 065 Fr. Tel. +32 70 220 066 Fax +32 15 473 799 www.stanleytools.eu Enduser.be@SBDinc.com
<b>Danmark</b>	Stanley Fat Max Farveland 1B 2600 Glostrup	Tel. 70 20 15 10 Fax 70 22 49 10 www.stanleyworks.dk
<b>Deutschland</b>	Stanley Fat Max Richard Klinger Str. 11, D - 65510 Idstein	Tel. 06126 21-1 Fax 06126 21-2770
<b>Ελλάδα</b>	Stanley Fat Max. Στράβωνος 7 & Λεωφ. Βουλιαγμένης 159 Γλυφάδα 166 74 - Αθήνα	Τηλ. +30 210 8981-616 Φαξ +30 210 8983-285 www.stanleyworks.gr
<b>España</b>	Stanley Fat Max. Parc de Negocis "Mas Blau" Edificio Muntadas, c/Bergadá, 1, Of. A6 08820 El Prat de Llobregat (Barcelona)	Tel. 934 797 400 Fax 934 797 419 respuesta.postventa@sbdinc.com www.stanleyworks.es
<b>France</b>	Stanley Fat Max 5 allée des Hêtres B.P. 30084 69579 Limonest Cédex	Tel. 04 72 20 39 20 Fax 04 72 20 39 00 www.stanleyouillage.fr
<b>Helvetia</b>	Stanley Fat Max In der Luberzen 40 8902 Urdorf	Tel. 01 730 67 47 Fax 01 730 70 67 www.stanleyworks.de
<b>Italia</b>	Stanley Fat Max EnergyPark-Building 03 sud, Via Monza 7/A 20871 Vimercate (MB)	Tel. 039-9590200 Fax 039-9590313 www.stanley.it
<b>Nederland</b>	Stanley Fat Max Joulehof 12, 4600 RG Bergen op Zoom	Tel. +31 164 283 065 Fax +31 164 283 200 Enduser.NL@SBDinc.com
<b>Norge</b>	Stanley Fat Max Postboks 4613, Nydalen 0405 Oslo	Tlf. 45 25 13 00 Fax 45 25 08 00
<b>Österreich</b>	Stanley Fat Max Oberlaaerstraße 248, A-1230 Wien	Tel. 01 66116-0 Fax 01 66116-614 www.stanleyworks.de
<b>Portugal</b>	Stanley Fat Max Centro de Escritórios de Sintra Avenida Almirante Gago Coutinho, 132/134, Edifício 142710-418 Sintra 2710-418 Lisboa	Tel. 214667500 Fax 214667575 resposta.posvenda@sbdinc.com
<b>Suomi</b>	Stanley Fat Max Tekniikkantie 12, 02150 Espoo	Puh. 010 400 430 Faksi 0800 411 340 www.stanleyworks.fi
<b>Sverige</b>	Stanley Fat Max Box 94, 431 22 Mölndal	Tel. 031-68 61 00 Fax 031-68 60 08
<b>Türkiye</b>	Stanley Fat Max KALE Hırdavat ve Makina A.Ş. Defterdar Mah. Savaklar Cad. No:15 Edirnekapı / Eyüp / İSTANBUL 34050	Puh. 0212 533 52 55 Faks 0212 533 10 05 www.stanleyworks.fi
<b>United Kingdom</b>	Stanley Fat Max 270 Bath Road Slough, Berkshire SL1 4DX	Tel. +44 (0)1753 511234 Fax +44 (0)1753 551155 www.stanleytools.co.uk
<b>Middle East &amp; Africa</b>	Stanley Fat Max P.O.Box - 17164 Jebel Ali (South Zone), Dubai, UAE	Tel. +971 4 8127400 Fax +971 4 8127036 www.stanleyworks.ae