

*If you have questions or comments, contact us.  
Pour toute question ou tout commentaire, nous contacter.  
Si tiene dudas o comentarios, contáctenos.*

**1-800-4-DEWALT • [www.dewalt.com](http://www.dewalt.com)**

**INSTRUCTION MANUAL  
GUIDE D'UTILISATION  
MANUAL DE INSTRUCCIONES**

INSTRUCTIVO DE OPERACIÓN, CENTROS DE SERVICIO Y PÓLIZA  
DE GARANTÍA. **ADVERTENCIA:** LÉASE ESTE INSTRUCTIVO ANTES  
DE USAR EL PRODUCTO.

**DEWALT®**

**D25960, D25961  
Demolition Hammer  
Marteau de démolition  
Martillos para demolición**



### Definitions: Safety Guidelines

The definitions below describe the level of severity for each signal word. Please read the manual and pay attention to these symbols.

**▲DANGER:** Indicates an imminently hazardous situation which, if not avoided, **will** result in **death or serious injury**.

**▲WARNING:** Indicates a potentially hazardous situation which, if not avoided, **could** result in **death or serious injury**.

**▲CAUTION:** Indicates a potentially hazardous situation which, if not avoided, **may** result in **minor or moderate injury**.

**NOTICE:** indicates a practice **not related to personal injury** which, if not avoided, **may** result in **property damage**.

IF YOU HAVE ANY QUESTIONS OR COMMENTS ABOUT THIS OR ANY DEWALT TOOL, CALL US TOLL FREE AT: **1-800-4-DEWALT (1-800-433-9258)**.



**WARNING:** To reduce the risk of injury, read the instruction manual.

### General Power Tool Safety Warnings



**WARNING!** Read all safety warnings and all instructions. Failure to follow the warnings and instructions may result in electric shock, fire and/or serious injury.

### SAVE ALL WARNINGS AND INSTRUCTIONS FOR FUTURE REFERENCE

The term "power tool" in the warnings refers to your mains-operated (corded) power tool or battery-operated (cordless) power tool.

#### 1) WORK AREA SAFETY

- a) **Keep work area clean and well lit.** Cluttered or dark areas invite accidents.
- b) **Do not operate power tools in explosive atmospheres, such as in the presence of flammable liquids, gases or dust.** Power tools create sparks which may ignite the dust or fumes.
- c) **Keep children and bystanders away while operating a power tool.** Distractions can cause you to lose control.

#### 2) ELECTRICAL SAFETY

- a) **Power tool plugs must match the outlet. Never modify the plug in any way. Do not use any adapter plugs with earthed (grounded) power tools.** Unmodified plugs and matching outlets will reduce risk of electric shock.
- b) **Avoid body contact with earthed or grounded surfaces such as pipes, radiators, ranges and refrigerators.** There is an increased risk of electric shock if your body is earthed or grounded.
- c) **Do not expose power tools to rain or wet conditions.** Water entering a power tool will increase the risk of electric shock.
- d) **Do not abuse the cord. Never use the cord for carrying, pulling or unplugging the power tool. Keep cord away from heat, oil, sharp edges or moving parts.** Damaged or entangled cords increase the risk of electric shock.
- e) **When operating a power tool outdoors, use an extension cord suitable for outdoor use.** Use of a cord suitable for outdoor use reduces the risk of electric shock.
- f) **If operating a power tool in a damp location is unavoidable, use a ground fault circuit interrupter (GFCI) protected supply. Use of a GFCI reduces the risk of electric shock.**

### 3) PERSONAL SAFETY

- a) **Stay alert, watch what you are doing and use common sense when operating a power tool. Do not use a power tool while you are tired or under the influence of drugs, alcohol or medication.** A moment of inattention while operating power tools may result in serious personal injury.
- b) **Use personal protective equipment. Always wear eye protection.** Protective equipment such as dust mask, non-skid safety shoes, hard hat, or hearing protection used for appropriate conditions will reduce personal injuries.
- c) **Prevent unintentional starting. Ensure the switch is in the off position before connecting to power source and/or battery pack, picking up or carrying the tool.** Carrying power tools with your finger on the switch or energising power tools that have the switch on invites accidents.
- d) **Remove any adjusting key or wrench before turning the power tool on.** A wrench or a key left attached to a rotating part of the power tool may result in personal injury.
- e) **Do not overreach. Keep proper footing and balance at all times.** This enables better control of the power tool in unexpected situations.
- f) **Dress properly. Do not wear loose clothing or jewellery. Keep your hair, clothing and gloves away from moving parts.** Loose clothes, jewellery or long hair can be caught in moving parts.
- g) **If devices are provided for the connection of dust extraction and collection facilities, ensure these are connected and properly used.** Use of dust collection can reduce dust-related hazards.

### 4) POWER TOOL USE AND CARE

- a) **Do not force the power tool. Use the correct power tool for your application.** The correct power tool will do the job better and safer at the rate for which it was designed.
- b) **Do not use the power tool if the switch does not turn it on and off.** Any power tool that cannot be controlled with the switch is dangerous and must be repaired.
- c) **Disconnect the plug from the power source and/or the battery pack from the power tool before making any adjustments, changing accessories, or storing power tools.** Such preventive safety measures reduce the risk of starting the power tool accidentally.
- d) **Store idle power tools out of the reach of children and do not allow persons unfamiliar with the power tool or these instructions to operate the power tool.** Power tools are dangerous in the hands of untrained users.
- e) **Maintain power tools. Check for misalignment or binding of moving parts, breakage of parts and any other condition that may affect the power tool's operation. If damaged, have the power tool repaired before use.** Many accidents are caused by poorly maintained power tools.
- f) **Keep cutting tools sharp and clean.** Properly maintained cutting tools with sharp cutting edges are less likely to bind and are easier to control.
- g) **Use the power tool, accessories and tool bits etc., in accordance with these instructions taking into account the working conditions and the work to be performed.** Use of the power tool for operations different from those intended could result in a hazardous situation.

## 5) SERVICE

- a) *Have your power tool serviced by a qualified repair person using only identical replacement parts. This will ensure that the safety of the power tool is maintained.*

### **Additional safety instructions for demolition hammers**

- **Wear ear protectors.** Exposure to noise can cause hearing loss.
- **Use auxiliary handles supplied with the tool.** Loss of control can cause personal injury.
- **Hold power tools by insulated gripping surfaces when performing an operation where the cutting accessory may contact hidden wiring or its own cord.** Cutting accessory contacting a "live" wire may make exposed metal parts of the power tool "live" and could give the operator an electric shock.
- **Be certain that the material being drilled does not conceal electric or gas service and that their locations have been verified with the utility companies.**
- **Keep a firm grip on the tool at all times.** Do not attempt to operate this tool without holding it with both hands. Operating this tool with one hand will result in loss of control. Breaking through or encountering hard materials such as re-bar may be hazardous as well. Tighten the side handle securely before use.
- **Ensure the chisel is secured in place before operating the tool.**
- *In cold-weather conditions or when the tool has not been used for a longer period of time, let the tool run with no load for several minutes before use.*
- **When working above ground level ensure the area below is clear.**
- **Do not touch the chisel or the parts close to the chisel immediately after operation, as they may be extremely hot and cause burns to the skin.**
- **Always direct the power cable to the rear, away from the chisel.**
- **Do not operate this tool for long periods of time.** Vibration caused by hammer action may be harmful to your hands and arms. Use gloves to provide extra cushion and limit exposure by taking frequent rest periods.
- **Air vents often cover moving parts and should be avoided.** Loose clothes, jewelry or long hair can be caught in moving parts.
- **An extension cord must have adequate wire size (AWG or American Wire Gauge) for safety.** The smaller the gauge number of the wire, the greater the capacity of the cable, that is 16 gauge has more capacity than 18 gauge. An undersized cord will cause a drop in line voltage resulting in loss of power and overheating. When using more than one extension to make up the total length, be sure each individual extension contains at least the minimum wire size. The following table shows the correct size to use depending on cord length and nameplate ampere rating. If in doubt, use the next heavier gauge. The smaller the gauge number, the heavier the cord.

Minimum Gauge for Cord Sets						
Ampere Rating		Volts	Total Length of Cord in Feet (meters)			
		120V	25 (7.6)	50 (15.2)	100 (30.5)	150 (45.7)
		240V	50 (15.2)	100 (30.5)	200 (61.0)	300 (91.4)
More Than	Not More Than	AWG				
0	6		18	16	16	14
6	10		18	16	14	12
10	12		16	16	14	12
12	16		14	12	Not Recommended	

**⚠ WARNING: ALWAYS** use safety glasses. Everyday eyeglasses are NOT safety glasses. Also use face or dust mask if cutting operation is dusty. ALWAYS WEAR CERTIFIED SAFETY EQUIPMENT:

- ANSI Z87.1 eye protection (CAN/CSA Z94.3),
- ANSI S12.6 (S3.19) hearing protection,
- NIOSH/OSHA/MSHA respiratory protection.

**⚠ WARNING:** Some dust created by power sanding, sawing, grinding, drilling, and other construction activities contains chemicals known to cause cancer, birth defects or other reproductive harm. Some examples of these chemicals are:

- lead from lead-based paints,
- crystalline silica from bricks and cement and other masonry products, and
- arsenic and chromium from chemically-treated lumber.

Your risk from these exposures varies, depending on how often you do this type of work. To reduce your exposure to these chemicals: work in a well ventilated area, and work with approved safety equipment, such as those dust masks that are specially designed to filter out microscopic particles.

- **Avoid prolonged contact with dust from power sanding, sawing, grinding, drilling, and other construction activities. Wear protective clothing and wash exposed areas with soap and water.** Allowing dust to get into your mouth, eyes, or lay on the skin may promote absorption of harmful chemicals.

**⚠ WARNING:** Use of this tool can generate and/or disburse dust, which may cause serious and permanent respiratory or other injury. Always use NIOSH/OSHA approved respiratory protection appropriate for the dust exposure. Direct particles away from face and body.

**⚠ WARNING:** Always wear proper personal hearing protection that conforms to ANSI S12.6 (S3.19) during use. Under some conditions and duration of use, noise from this product may contribute to hearing loss.

- The label on your tool may include the following symbols. The symbols and their definitions are as follows:
 

V..... volts	A..... amperes
Hz..... hertz	W..... watts
min..... minutes	~ ..... alternating current
=== .... direct current	⌚ ..... alternating or direct current
⚠..... Class I Construction (grounded)	no..... no load speed
⊕..... Class II Construction (double insulated)	⊕..... earthing terminal
.../min.. per minute	⚠..... safety alert symbol
IPM ..... impacts per minute	BPM.. beats per minute
	RPM.. revolutions per minute
	sfpm.. surface feet per minute

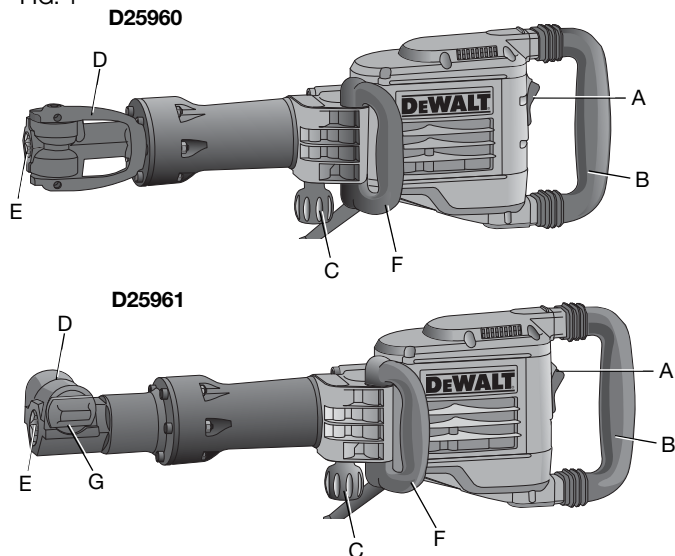
**SAVE THESE INSTRUCTIONS  
FOR FUTURE USE**

## COMPONENTS (Fig. 1)

**⚠ WARNING:** Never modify the power tool or any part of it. Damage or personal injury could result.

- |                              |                   |
|------------------------------|-------------------|
| A. On/off switch             | E. Tool holder    |
| B. Main handle               | F. Side handle    |
| C. Side handle clamping knob | G. Retaining bolt |
| D. Tool retainer             |                   |

FIG. 1



## INTENDED USE

The D25960 and D25961 heavy-duty demolition hammers are designed for professional demolition, chipping and chasing applications. **DO NOT** use under wet conditions or in presence of flammable liquids or gases.

These heavy-duty demolition hammers are professional power tools. **DO NOT** let children come into contact with the tool. Supervision is required when inexperienced operators use this tool.

## Active Vibration Control

The active vibration control neutralizes rebound vibration from the hammer mechanism. Lowering hand and arm vibration, it allows more comfortable use for longer periods of time and extends the life of the unit.

## ASSEMBLY AND ADJUSTMENT

**⚠ WARNING:** Prior to assembly and adjustment always unplug the tool.

**⚠ WARNING:** Always wear gloves when changing accessories. The exposed metal parts on the tool and accessory may become extremely hot during operation.

**⚠ WARNING:** Since accessories, other than those offered by DEWALT, have not been tested with this product, use of such accessories with this tool could be hazardous. To reduce the risk of injury, only DEWALT, recommended accessories should be used with this product.

**NOTICE:** To reduce dust contamination in the tool, keep dust and debris away from the bit and the beat piece.

## Inserting and Removing 1-1/8" (28 mm) Hex Accessories (Fig. 2, 3)

D25960

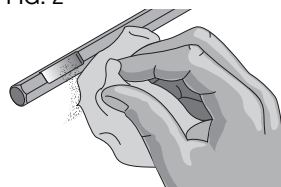
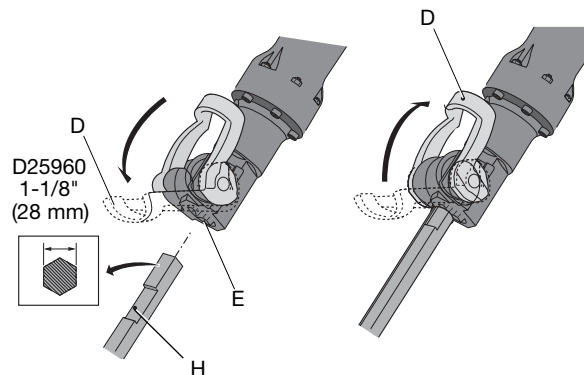
This machine uses chisels with a FIG. 2  
1-1/8" (28 mm) hex shank.

Clean the chisel shank (Fig. 2).

### TO FIT A CHISEL WITH GROOVE IN THE SHANK (FIG. 3A)

1. Pull the tool retainer (D) to the unlock position.
2. Hold the chisel in front of the tool holder with the groove (H) facing upwards.
3. Insert the chisel shank into the tool holder (E). Ensure chisel shank is correctly oriented as shown.

FIG. 3A

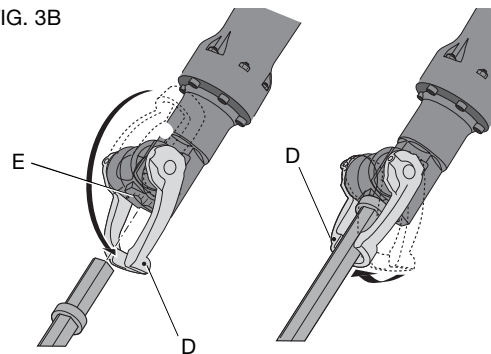


4. Push the retainer (D) backwards to lock the accessory in position.
5. Pull on the chisel to check if it is properly locked. The hammering function requires the chisel to be able to move axially several centimeters when locked in the tool holder.
6. To remove a chisel pull back the retainer (D) and pull the chisel out of the tool holder (E).

### TO FIT A CHISEL WITH COLLAR ON THE SHANK (FIG. 3B)

1. Pull the tool retainer (D) to the unlock position.
2. Insert the chisel shank into the tool holder (E). Ensure chisel shank is correctly oriented as shown.
3. Push the retainer (D) in line with the accessory shank to lock the accessory in position.
4. Pull on the chisel to check if it is properly locked. The hammering function requires the chisel to be able to move axially several centimeters when locked in the tool holder.
5. To remove a chisel pull back the retainer (D) and pull the chisel out of the tool holder (E).

FIG. 3B





## Inserting and Removing 1-1/4" (30 mm) Hex Accessories (Fig. 2, 3)

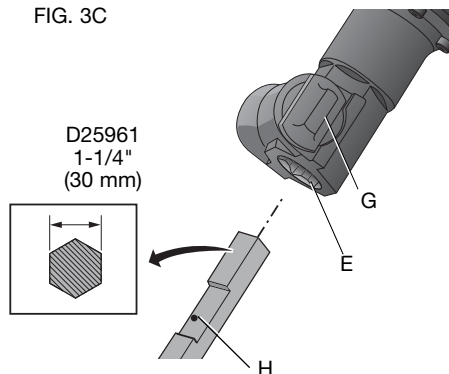
### D25961

This machine uses chisels with a 1-1/4" (30 mm) hex shank. Clean the chisel shank (Fig. 2).

#### TO FIT A CHISEL WITH GROOVE IN THE SHANK (FIG. 3C)

1. Pull the retainer bolt (G) and turn it by 180° to the unlock position.

FIG. 3C



2. Hold the chisel in front of the tool holder with the groove (H) facing upwards.
3. Insert the chisel shank into the tool holder (E).
4. Pull the retainer bolt (G) and turn it by 180° back to the lock position.

5. Pull on the chisel to check if it is properly locked. The hammering function requires the chisel to be able to move axially several centimeters when locked in the tool holder.
6. To remove a chisel pull the retainer bolt (G) and turn it by 180° to the unlock position.

#### Adjusting the Side Handle (Fig. 1)

**⚠WARNING:** Always operate the machine with the side handle properly mounted.

The side handle (F) is assembled on the machine to suit both right- and left-hand users

1. Loosen the clamp knob (C) and rotate the side handle to the desired position.
2. Lock the side handle in place by tightening the clamp knob (D). Ensure side handle is secure and does not rotate.

## OPERATION

### Instructions for Use

**⚠WARNING:** Always observe the safety instructions and applicable regulations.

**⚠WARNING:** Be aware of the location of pipework and wiring.

**⚠WARNING:** Apply a pressure of approx. 44–66 lbs. (20–30 kg.) to the tool. Excessive force does not speed up chiselling but decreases tool performance and may shorten tool life.

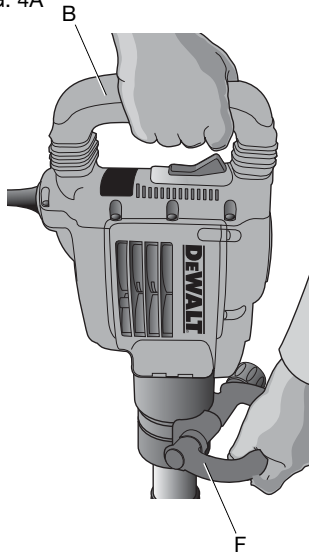
### Proper Hand Position (Fig. 4)

**⚠WARNING:** To reduce the risk of serious personal injury, ALWAYS use proper hand position as shown.

**⚠WARNING:** To reduce the risk of serious personal injury, ALWAYS hold securely in anticipation of a sudden reaction.

**IMPORTANT:** The tool must be held with two hands at all times when in use.

FIG. 4A

**Horizontal applications (Fig. 4A):**

Proper hand position requires one hand on the side handle (F) and the other hand on the main handle (B).

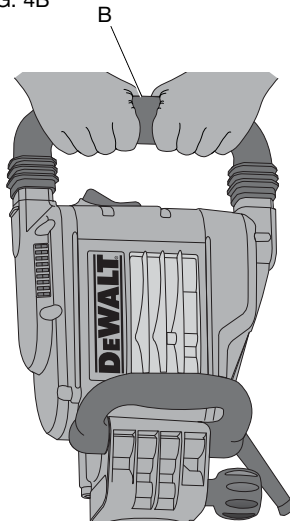
**Vertical applications (Fig. 4B):**

Proper hand position requires both hands on the main handle (B).

**Switching On and Off (Fig. 1)**

To turn the tool on, set the on/off switch (A) to position 1. To turn the tool off, set the on/off switch (A) to position 0.

FIG. 4B

**Demolition, Chasing and Channelling (Fig. 1, 4)**

**⚠WARNING:** Ensure that the cutting edge does not show discoloration caused by too much pressure. This may impair the hardness of the accessory.

Various types of chisels are available as an option.

1. Select the appropriate chisel. Clean and grease its shank.
2. Insert the chisel and check whether it is properly locked.
3. Fit and adjust the side handle (F) and ensure side handle is secure and does not rotate.
4. Hold the tool at both handles (B, F) and switch on. The tool now runs in continuous operation.
5. Always switch off the tool when work is finished and before unplugging.

**MAINTENANCE**

**⚠WARNING:** To reduce the risk of serious personal injury, turn tool off and disconnect tool from power source before making any adjustments or removing/installing attachments or accessories.

**Lubrication**

Your power tool requires no additional lubrication.

**Cleaning**

**⚠WARNING:** Blow dirt and dust out of all air vents with dry air at least once a week. Wear proper ANSI Z87.1 (CAN/CSA Z94.3) eye protection and proper NIOSH/OSHA/MSHA respiratory protection when performing this.

**⚠WARNING:** *Never use solvents or other harsh chemicals for cleaning the non-metallic parts of the tool. These chemicals may weaken the materials used in these parts. Use a cloth dampened only with water and mild soap. Never let any liquid get inside the tool; never immerse any part of the tool into a liquid.*

### **Repairs**

This machine is not user-serviceable. Take the tool to an authorized DEWALT repair agent after approximately 100 hours of use. If problems occur before this time contact an authorized DEWALT repair agent.

To assure product SAFETY and RELIABILITY, repairs, maintenance and adjustments (including brush inspection and replacement) should be performed by a DEWALT factory service center, a DEWALT authorized service center or other qualified service personnel. Always use identical replacement parts.

### **Accessories**

**⚠WARNING:** *Since accessories, other than those offered by DEWALT, have not been tested with this product, use of such accessories with this tool could be hazardous. To reduce the risk of injury, only DEWALT, recommended accessories should be used with this product.*

These chisels can be reground only a limited number of times. Contact your dealer for recommendations.

Recommended accessories for use with your tool are available at extra cost from your local dealer or authorized service center. If you need assistance in locating any accessory, please contact DEWALT Industrial Tool Co., 701 East Joppa Road, Baltimore, MD 21286, call 1-800-4-DEWALT (1-800-433-9258) or visit our website [www.dewalt.com](http://www.dewalt.com).

### **Three Year Limited Warranty**

DEWALT will repair, without charge, any defects due to faulty materials or workmanship for three years from the date of purchase. This warranty does not cover part failure due to normal wear or tool abuse. For further detail of warranty coverage and warranty repair information, visit [www.dewalt.com](http://www.dewalt.com) or call 1-800-4-DEWALT (1-800-433-9258). This warranty does not apply to accessories or damage caused where repairs have been made or attempted by others. This warranty gives you specific legal rights and you may have other rights which vary in certain states or provinces.

In addition to the warranty, DEWALT tools are covered by our:

#### **2 YEARS FREE SERVICE**

DEWALT will maintain the tool and replace worn parts caused by normal use, for free, any time during the first two years after purchase.

#### **90 DAY MONEY BACK GUARANTEE**

If you are not completely satisfied with the performance of your DEWALT Power Tool, Laser, or Nailer for any reason, you can return it within 90 days from the date of purchase with a receipt for a full refund – no questions asked.

**LATIN AMERICA:** This warranty does not apply to products sold in Latin America. For products sold in Latin America, see country specific warranty information contained either in the packaging, call the local company or see website for warranty information.

**FREE WARNING LABEL REPLACEMENT:** If your warning labels become illegible or are missing, call 1-800-4-DEWALT for a free replacement.

## SPECIFICATIONS

	D25960	D25961
Voltage:	120 V AC ~	120 V AC ~
Ampere rating:	15 A	15 A
Frequency:	60 Hz	60 Hz
Watts:	1600 W	1600 W
Beats per minute (BPM)	1460/min	1460/min

<b>DXXXXX</b> DEMOLITION HAMMER	
SER.	██████████
<b>⚠ WARNING</b>	TO REDUCE THE RISK OF INJURY, USER MUST READ INSTRUCTION MANUAL. ALWAYS USE PROPER EYE, EAR AND RESPIRATORY PROTECTION.
<b>⚠ ADVERTENCIA</b>	LEA EL MANUAL DE INSTRUCCIONES PARA UN FUNCIONAMIENTO SEGURO. SIEMPRE UTILICE PROTECCIÓN ADECUADA PARA LOS OJOS, OÍDOS Y VÍAS RESPIRATORIAS.
<b>⚠ AVERTISSEMENT</b>	AFIN DE MINIMISER LES RISQUES DE BLESSURES, LIRE LE GUIDE. TOUJOURS UTILISER UNE PROTECTION OCULAIRE, AUDITIVE ET RESPIRATOIRE ADEQUATE.
DEWALT INDUSTRIAL TOOL CO. BALTIMORE, MD 21286 USA FOR SERVICE INFORMATION, CALL 1-800-4-DEWALT <a href="http://www.DEWALT.com">www.DEWALT.com</a>	

### **Définitions : lignes directrices en matière de sécurité**

Les définitions ci-dessous décrivent le niveau de danger pour chaque mot-indicateur employé. Lire le mode d'emploi et porter une attention particulière à ces symboles.

**⚠DANGER** : indique une situation dangereuse imminente qui, si elle n'est pas évitée, **entraînera la mort ou des blessures graves**

**⚠AVERTISSEMENT** : indique une situation potentiellement dangereuse qui, si elle n'est pas évitée, **pourrait entraîner la mort ou des blessures graves**

**⚠ATTENTION** : indique une situation potentiellement dangereuse qui, si elle n'est pas évitée, **pourrait entraîner des blessures légères ou modérées.**

**AVIS** : Indique une pratique ne posant **aucun risque de dommages corporels** mais qui par contre, si rien n'est fait pour l'éviter, **pourrait poser des risques de dommages matériels.**

POUR TOUTE QUESTION OU TOUT COMMENTAIRE RELATIF À CET OUTIL OU À PROPOS DE TOUT AUTRE OUTIL DEWALT, COMPOSER SANS FRAIS LE : **1-800-4-DEWALT (1-800-433-9258).**



**AVERTISSEMENT** : afin de réduire le risque de blessures, lire le mode d'emploi de l'outil.

### **Avertissements de sécurité généraux pour les outils électriques**



**AVERTISSEMENT !** Lire tous les avertissements de sécurité et toutes les directives. Le non-respect des avertissements et des directives pourrait se solder par un choc électrique, un incendie et/ou une blessure grave.

### **CONSERVER TOUS LES AVERTISSEMENTS ET TOUTES LES DIRECTIVES POUR UN USAGE ULTÉRIEUR**

Le terme « outil électrique » cité dans les avertissements se rapporte à votre outil électrique à alimentation sur secteur (avec fil) ou par piles (sans fil).

#### **1) SÉCURITÉ DU LIEU DE TRAVAIL**

- a) **Tenir l'aire de travail propre et bien éclairée.** Les lieux encombrés ou sombres sont propices aux accidents.
- b) **Ne pas faire fonctionner d'outils électriques dans un milieu déflagrant, tel qu'en présence de liquides, de gaz ou de poussières inflammables.** Les outils électriques produisent des étincelles qui pourraient enflammer la poussière ou les vapeurs.
- c) **Éloigner les enfants et les personnes à proximité pendant l'utilisation d'un outil électrique.** Une distraction pourrait en faire perdre la maîtrise à l'utilisateur.

#### **2) SÉCURITÉ EN MATIÈRE D'ÉLECTRICITÉ**

- a) **Les fiches des outils électriques doivent correspondre à la prise. Ne jamais modifier la fiche d'aucune façon. Ne jamais utiliser de fiche d'adaptation avec un outil électrique mis à la terre.** Le risque de choc électrique sera réduit par l'utilisation de fiches non modifiées correspondant à la prise.

- b) **Éviter tout contact physique avec des surfaces mises à la terre comme des tuyaux, des radiateurs, des cuisinières et des réfrigérateurs.** Le risque de choc électrique est plus élevé si votre corps est mis à la terre.
- c) **Ne pas exposer les outils électriques à la pluie ou à l'humidité.** La pénétration de l'eau dans un outil électrique augmente le risque de choc électrique.
- d) **Ne pas utiliser le cordon de façon abusive. Ne jamais utiliser le cordon pour transporter, tirer ou débrancher un outil électrique. Tenir le cordon éloigné de la chaleur, de l'huile, des bords tranchants et des pièces mobiles.** Les cordons endommagés ou enchevêtrés augmentent les risques de choc électrique.
- e) **Pour l'utilisation d'un outil électrique à l'extérieur, se servir d'une rallonge convenant à cette application.** L'utilisation d'une rallonge conçue pour l'extérieur réduira les risques de choc électrique.
- f) **S'il est impossible d'éviter l'utilisation d'un outil électrique dans un endroit humide, brancher l'outil dans une prise ou sur un circuit d'alimentation dotés d'un disjoncteur de fuite à la terre (GFCI).** L'utilisation de ce type de disjoncteur réduit les risques de choc électrique.
- 3) SÉCURITÉ PERSONNELLE**
- a) **Être vigilant, surveiller le travail effectué et faire preuve de jugement lorsqu'un outil électrique est utilisé. Ne pas utiliser d'outil électrique en cas de fatigue ou sous l'influence de drogues, d'alcool ou de médicaments.** Un simple moment d'inattention en utilisant un outil électrique peut entraîner des blessures corporelles graves.
- b) **Utiliser des équipements de protection individuelle. Toujours porter une protection oculaire.** L'utilisation d'équipements de protection comme un masque antipoussière, des chaussures antidérapantes, un casque de sécurité ou des protecteurs auditifs lorsque la situation le requiert réduira les risques de blessures corporelles.
- c) **Empêcher les démarrages intempestifs. S'assurer que l'interrupteur se trouve à la position d'arrêt avant de relier l'outil à une source d'alimentation et/ou d'insérer un bloc-piles, de ramasser ou de transporter l'outil.** Transporter un outil électrique alors que le doigt repose sur l'interrupteur ou brancher un outil électrique dont l'interrupteur est à la position de marche risque de provoquer un accident.
- d) **Retirer toute clé de réglage ou clé avant de démarrer l'outil.** Une clé ou une clé de réglage attachée à une partie pivotante de l'outil électrique peut provoquer des blessures corporelles.
- e) **Ne pas trop tendre les bras. Conserver son équilibre en tout temps.** Cela permet de mieux maîtriser l'outil électrique dans les situations imprévues.
- f) **S'habiller de manière appropriée. Ne pas porter de vêtements amples ni de bijoux. Garder les cheveux, les vêtements et les gants à l'écart des pièces mobiles.** Les vêtements amples, les bijoux ou les cheveux longs risquent de rester coincés dans les pièces mobiles.
- g) **Si des composants sont fournis pour le raccordement de dispositifs de dépoussiérage et de ramassage, s'assurer que ceux-ci sont bien raccordés et utilisés.** L'utilisation d'un dispositif de dépoussiérage peut réduire les dangers engendrés par les poussières.

#### 4) UTILISATION ET ENTRETIEN D'UN OUTIL ÉLECTRIQUE

- a) **Ne pas forcer un outil électrique. Utiliser l'outil électrique approprié à l'application.** L'outil électrique approprié effectuera un meilleur travail, de façon plus sûre et à la vitesse pour laquelle il a été conçu.
- b) **Ne pas utiliser un outil électrique dont l'interrupteur est défectueux.** Tout outil électrique dont l'interrupteur est défectueux est dangereux et doit être réparé.
- c) **Débrancher la fiche de la source d'alimentation et/ou du bloc-piles de l'outil électrique avant de faire tout réglage ou changement d'accessoire ou avant de ranger l'outil.** Ces mesures préventives réduisent les risques de démarrage accidentel de l'outil électrique.
- d) **Ranger les outils électriques hors de la portée des enfants et ne permettre à aucune personne n'étant pas familière avec un outil électrique ou son mode d'emploi d'utiliser cet outil.** Les outils électriques deviennent dangereux entre les mains d'utilisateurs inexpérimentés.
- e) **Entretien des outils électriques. Vérifier si les pièces mobiles sont mal alignées ou coincées, si des pièces sont brisées ou présentent toute autre condition susceptible de nuire au bon fonctionnement de l'outil électrique. En cas de dommage, faire réparer l'outil électrique avant toute nouvelle utilisation.** Beaucoup d'accidents sont causés par des outils électriques mal entretenus.
- f) **S'assurer que les outils de coupe sont aiguisés et propres.** Les outils de coupe bien entretenus et affûtés sont moins susceptibles de se coincer et sont plus faciles à maîtriser.
- g) **Utiliser l'outil électrique, les accessoires, les forets, etc. conformément aux présentes directives en tenant compte des conditions de travail et du travail à effectuer.**

*L'utilisation d'un outil électrique pour toute opération autre que celle pour laquelle il a été conçu est dangereuse.*

#### 5) RÉPARATION

- a) **Faire réparer l'outil électrique par un réparateur professionnel en n'utilisant que des pièces de rechange identiques.** Cela permettra de maintenir une utilisation sécuritaire de l'outil électrique.

#### **Directives de sécurité supplémentaires pour les marteaux de démolition**

- **Porter des protecteurs d'oreilles.** Une exposition au bruit peut entraîner une perte auditive.
- **Utiliser les poignées auxiliaires fournies avec l'outil.** Une perte de maîtrise de l'outil peut entraîner des blessures.
- **Tenir l'outil électrique par les surfaces isolées prévues à cet effet pendant toute utilisation où l'organe de coupe pourrait entrer en contact avec des fils électriques cachés ou son propre cordon.** Tout contact de l'organe de coupe avec un fil sous tension mettra les parties métalliques exposées de l'outil sous tension et électrocutera l'utilisateur.
- **S'assurer que le matériau percé ne cache pas de conduit électrique ou de gaz et que leur emplacement a été vérifié avec les entreprises de services publics.**
- **Tenir fermement l'outil en tout temps. Ne pas utiliser l'outil sans le tenir des deux mains.** Faire fonctionner cet outil d'une seule main risque de provoquer la perte de maîtrise de l'outil. Il peut aussi être dangereux de percer ou de tomber sur des matériaux durs comme une barre d'armature. Bien serrer la poignée latérale avant d'utiliser l'outil.
- **S'assurer que le burin est solidement fixé avant d'utiliser l'outil.**

- Par temps froid ou lorsque l'outil n'a pas été utilisé pour une période prolongée de temps, laisser l'outil fonctionner à vide pour plusieurs minutes avant de l'utiliser.
- Lors de travaux au-dessus du niveau du sol, s'assurer que la zone inférieure adjacente est bien dégagée.
- Ne pas toucher le burin ou les pièces près du burin immédiatement après le fonctionnement de l'outil. Ils risquent d'être extrêmement chauds et de provoquer des brûlures cutanées.
- Toujours acheminer le cordon d'alimentation vers l'arrière, à l'écart du burin.
- Ne pas faire fonctionner cet outil durant de longues périodes. Les vibrations causées par la percussion du marteau peuvent être nuisibles pour vos mains et vos bras. Utiliser des gants pour amortir davantage les vibrations et limiter l'exposition à l'outil par de fréquentes périodes de repos.
- Prendre des précautions à proximité des événements, car ils cachent des pièces mobiles. Vêtements amples, bijoux ou cheveux longs risquent de rester coincés dans ces pièces mobiles.
- Pour la sécurité de l'utilisateur, utiliser une rallonge de calibre adéquat (AWG, American Wire Gauge [calibrage américain normalisé des fils]). Plus le numéro de calibre de fil est petit et plus sa capacité est grande, par exemple un calibre 16 a plus de capacité qu'un calibre 18. Une rallonge de calibre inférieur causera une chute de tension de ligne et donc une perte de puissance et une surchauffe. Si plus d'une rallonge est utilisée pour obtenir la longueur totale, s'assurer que chaque rallonge présente au moins le calibre de fil minimum. Le tableau suivant indique le calibre approprié à utiliser selon la longueur de la rallonge et l'intensité nominale de la plaque signalétique.

En cas de doute, utiliser le calibre suivant le plus gros. Plus le numéro de calibre est petit, plus le cordon est lourd.

Calibre minimum pour rallonge						
Intensité nominale	Volts	Longueur totale du cordon en mètres (en pieds)				
		120V	15,2 (50)	30,5 (100)	45,7 (150)	
		240V	15,2 (50)	30,5 (100)	61,0 (200)	91,4 (300)
Plus de	Pas plus de	AWG				
0	6		5,5 (18)	4,9 (16)	4,9 (16)	4,3 (14)
6	10		5,5 (18)	4,9 (16)	4,3 (14)	3,7 (12)
10	12		4,9 (16)	4,9 (16)	4,3 (14)	3,7 (12)
12	16		4,3 (14)	3,7 (12)	Non recommandé	

**⚠ AVERTISSEMENT : TOUJOURS** porter des lunettes de sécurité. Les lunettes ordinaires ne constituent PAS des lunettes de sécurité. Utiliser également un masque protecteur ou antipoussière si l'opération de coupe génère de la poussière. TOUJOURS PORTER UN ÉQUIPEMENT DE SÉCURITÉ HOMOLOGUÉ :

- protection oculaire conforme à la norme ANSI Z87.1 (CAN/CSA Z94.3),
- protection auditive conforme à la norme ANSI S12.6 (S3.19) et
- protection des voies respiratoires conforme aux normes NIOSH/OSHA/MSHA.

**⚠ AVERTISSEMENT :** certaines poussières produites par les activités de ponçage, sciage, meulage, perçage et autres activités de construction peuvent contenir des produits chimiques pouvant causer le cancer, des anomalies congénitales ou d'autres problèmes liés aux fonctions reproductrices. Voici quelques exemples de ces produits chimiques :



- le plomb contenu dans les peintures à base de plomb,
- la silice cristalline de la brique, du ciment et d'autres produits de maçonnerie, et
- l'arsenic et le chrome provenant de bois traité chimiquement.

Les risques reliés à l'exposition à ces poussières varient selon la fréquence à laquelle l'utilisateur travaille avec ce type de matériau. Pour réduire l'exposition à ces produits chimiques : travailler dans un endroit bien ventilé et porter un équipement de sécurité approuvé, comme un masque antipoussière conçu spécialement pour filtrer les particules microscopiques.

- **Éviter le contact prolongé avec les poussières produites par les activités de ponçage, sciage, meulage, perçage et autres activités de construction. Porter des vêtements de protection et laver les parties du corps exposées avec une solution d'eau et de savon.** Le fait de laisser la poussière pénétrer dans la bouche et les yeux ou de la laisser reposer sur la peau peut promouvoir l'absorption de produits chimiques nocifs.

**⚠AVERTISSEMENT :** l'utilisation de cet outil peut produire et/ou disperser des poussières pouvant causer des problèmes respiratoires graves et permanents ou d'autres problèmes de santé. Toujours porter un appareil respiratoire approuvé par la NIOSH/OSHA pour se protéger de la poussière. Diriger les particules loin du visage et du corps.

**⚠AVERTISSEMENT :** toujours porter une protection auditive appropriée conformément à la norme ANSI S12.6 (S3.19) lors de l'utilisation du produit. Dans certaines conditions et selon la durée d'utilisation, le bruit émis par ce produit peut contribuer à une perte auditive.

- L'étiquette apposée sur votre outil peut comprendre les symboles suivants. Les symboles et leurs définitions sont indiqués ci-après :

V..... volts	A.....ampères
Hz..... hertz	W..... watts
min ..... minutes	~ .....courant alternatif
=== .... courant continu	⋈ .....courant alternatif ou continu
⚠ ..... classe I fabrication (mis à la terre)	n <sub>0</sub> .....vitesse à vide
□ ..... fabrication classe II (double isolation)	⊕ .....borne de terre
.../min .. par minute	⚠.....symbole d'avertissement
IPM..... impacts par minute	BPM ....battements par minute
sfpm..... pieds linéaires par minute (plpm)	r/min.... tours par minute

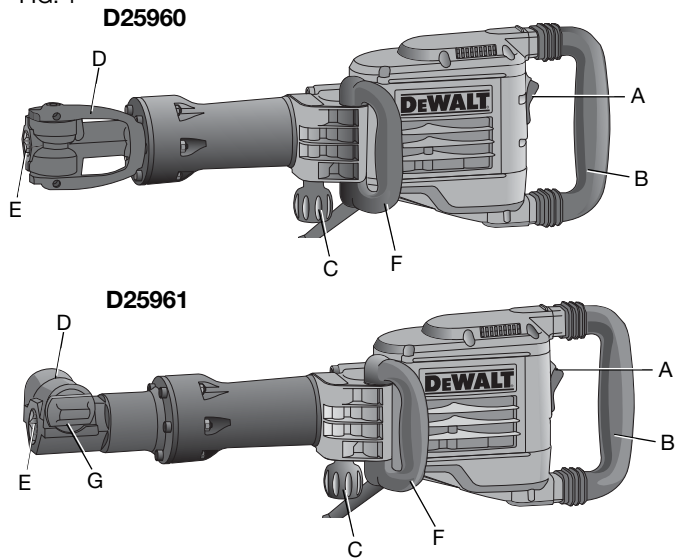
## CONSERVER CES CONSIGNES POUR UTILISATION ULTÉRIEURE

### COMPOSANTS (Fig. 1)

**⚠AVERTISSEMENT :** ne jamais modifier l'outil électrique ou l'une de ses parties. Une telle pratique risque de provoquer des dommages matériels ou des blessures.

- |  |                      |
|--|----------------------|
| A. Interrupteur marche/arrêt                     | E. Porte-outil       |
| B. Poignée principale                            | F. Poignée latérale  |
| C. Bouton de verrouillage de la poignée latérale | G. Boulon de retenue |
| D. Dispositif de retenue de l'outil              |                      |

FIG. 1



#### UTILISATION PRÉVUE

Les marteaux de démolition de service intensif, modèles D25960 et D25961, sont conçus pour la démolition, le burinage et la gravure professionnels. **NE PAS** utiliser dans des conditions humides ou en présence de liquides ou de gaz inflammables.

Ces marteaux de démolition robustes sont des outils électriques professionnels. **NE PAS** laisser les enfants toucher à l'outil. Les opérateurs inexpérimentés doivent être supervisés lorsqu'ils utilisent cet outil.

#### Correcteur antivibrations actif

Le correcteur antivibrations actif neutralise la vibration du mécanisme du marteau, provoquée par le rebond. Il permet de réduire le taux de vibrations au niveau des mains et des bras pour une utilisation confortable plus prolongée. Il prolonge également la durée de vie de l'appareil.

#### ASSEMBLAGE ET RÉGLAGE

**⚠ AVERTISSEMENT :** toujours débrancher l'outil avant tout assemblage et réglage.

**⚠ AVERTISSEMENT :** toujours porter des gants pour le changement des accessoires. Il est possible que les pièces métalliques exposées de l'outil et les accessoires deviennent très chauds en cours de fonctionnement.

**⚠ AVERTISSEMENT :** puisque les accessoires autres que ceux offerts par DEWALT n'ont pas été testés avec ce produit, l'utilisation de ceux-ci avec l'outil pourrait s'avérer dangereuse. Pour réduire le risque de blessures, utiliser exclusivement les accessoires DEWALT recommandés avec le présent produit.

**AVIS :** pour réduire la contamination de l'outil par la poussière, tenir le burin et la pièce de frappe loin de la poussière.

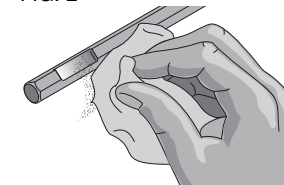
#### Installation et retrait des accessoires hexagonaux de 28 mm (1-1/8 po) (Fig. 2, 3)

##### D25960

Cet outil utilise des burins à queue hexagonale de 28 mm (1-1/8 po).

Nettoyez la queue du burin (Fig. 2).

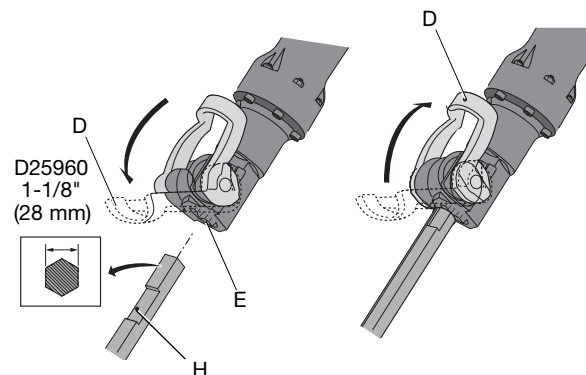
FIG. 2



### POUR INSTALLER UN BURIN AVEC UNE ENCOCHE SUR LA QUEUE (FIG. 3A)

1. Tirez le dispositif de retenue de l'outil (D) sur sa position déverrouillée.
2. Mettez le burin devant le porte-outil avec l'encoche (H) sur le dessus.
3. Insérez la queue de burin dans le porte-outil (E). Assurez-vous que la queue de burin est correctement orientée comme illustré.

FIG. 3A

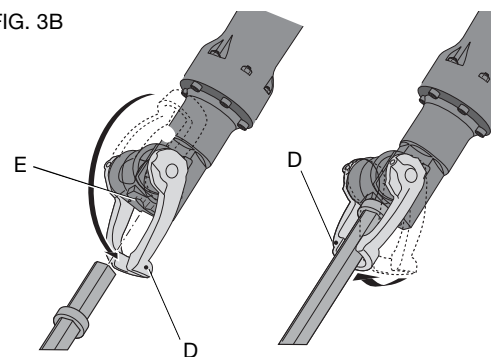


4. Repoussez le dispositif de retenue (D) vers l'arrière pour verrouiller l'accessoire en position.
5. Tirez sur le burin pour vérifier qu'il est correctement verrouillé. La fonctionnalité de martelage requiert que le burin puisse bouger sur son axe de quelques centimètres alors qu'il est verrouillé dans le porte-outil.
6. Pour retirer le burin, tirez le dispositif de retenue (D) vers l'arrière et sortez-le du porte-outil (E).

### POUR INSTALLER UN BURIN AVEC UN COLLIER SUR LA QUEUE (FIG. 3B)

1. Tirez le dispositif de retenue de l'outil (D) sur sa position déverrouillée.
2. Insérez la queue de burin dans le porte-outil (E). Assurez-vous que la queue de burin est correctement orientée comme illustré.
3. Poussez le dispositif de retenue (D) droit sur la queue de l'accessoire pour verrouiller ce dernier en position.
4. Tirez sur le burin pour vérifier qu'il est correctement verrouillé. La fonctionnalité de martelage requiert que le burin puisse bouger sur son axe de quelques centimètres alors qu'il est verrouillé dans le porte-outil.
5. Pour retirer le burin, tirez le dispositif de retenue (D) vers l'arrière et sortez-le du porte-outil (E).

FIG. 3B



## **Installation et retrait des accessoires hexagonaux de 30 mm (1-1/4 po) (Fig. 2, 3)**

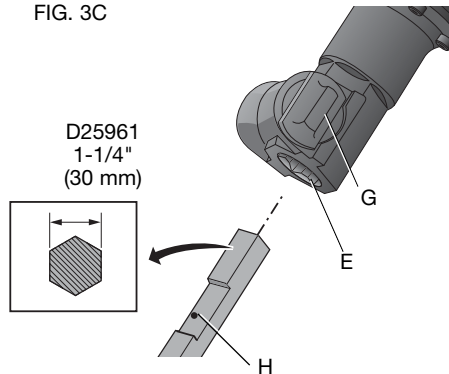
### **D25961**

Cet outil utilise des burins à queue hexagonale de 30 mm (1-1/4 po). Nettoyez la queue de burin (Fig. 2).

### **POUR INSTALLER UN BURIN AVEC UNE ENCOCHE SUR LA QUEUE (FIG. 3C)**

1. Tirez le boulon du dispositif de retenue (G) puis faites-le effectuer un tour de 180° jusqu'à sa position déverrouillée.

FIG. 3C



2. Mettez le burin devant le porte-outil avec la rainure (H) sur le dessus.
3. Insérez la queue de burin dans le porte-outil (E).
4. Tirez le boulon du dispositif de retenue (G) puis effectuez à nouveau un tour de 180° jusqu'à sa position verrouillée.

5. Tirez sur le burin pour vérifier qu'il est correctement verrouillé. La fonctionnalité de martelage requiert que le burin puisse bouger sur son axe de quelques centimètres alors qu'il est verrouillé dans le porte-outil.
6. Pour retirer le burin, tirez le boulon du dispositif de retenue (G) puis faites-le effectuer un tour de 180° sur sa position déverrouillée.

### **Réglage de la poignée latérale (Fig. 1)**

**⚠AVERTISSEMENT :** utiliser systématiquement l'outil avec sa poignée latérale correctement installée.

La poignée latérale (F) est montée sur l'outil pour convenir aussi bien à des droitiers qu'à des gauchers.

1. Desserrez le bouton de fixation (C) puis tournez la poignée latérale sur la position désirée.
2. Verrouillez la poignée latérale en place en resserrant le bouton de fixation (D). Vérifiez que la poignée latérale est bien arrimée et ne tourne plus.

### **UTILISATION**

#### **Directives de fonctionnement**

**⚠AVERTISSEMENT :** toujours respecter les consignes de sécurité et les règles applicables.

**⚠AVERTISSEMENT :** Connaître l'emplacement de toute tuyauterie et de câblage électrique.

**⚠AVERTISSEMENT :** appliquer une pression de près de 20 à 30 kg (44 à 66 lb) sur l'outil. Une force excessive n'accélère pas le burinage. Elle réduit le rendement de l'outil et pourrait en réduire sa durée de vie.

### **Position correcte des mains (Fig. 4)**

**⚠AVERTISSEMENT** : pour réduire tout risque de dommages corporels graves, adopter **SYSTÉMATIQUEMENT** la position des mains illustrée.

**⚠AVERTISSEMENT** : pour réduire tout risque de dommages corporels graves, maintenir **SYSTÉMATIQUEMENT** l'outil fermement pour anticiper toute réaction soudaine.

**IMPORTANT** : l'outil doit en permanence être tenu à deux mains pendant son utilisation.

FIG. 4A

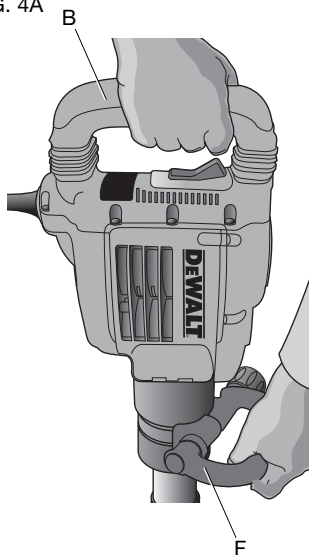
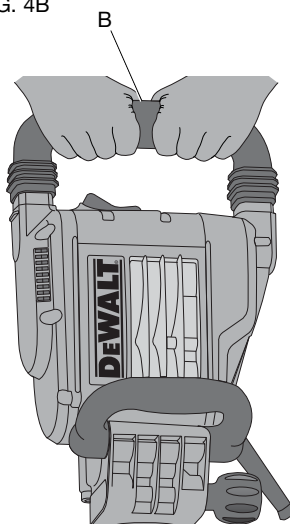


FIG. 4B



### **Applications horizontales (Fig. 4A) :**

La position correcte des mains requiert une main sur la poignée latérale (F), et l'autre sur la poignée principale (B).

### **Applications verticales (Fig. 4B) :**

La position correcte des mains requiert les deux mains sur la poignée principale (B).

Pour mettre l'outil en marche, régler l'interrupteur marche/arrêt (A) à la position 1. Pour l'arrêter, régler l'interrupteur marche/arrêt (A) à la position 0.

### **Démolition, gravure et canalisation (Fig. 1, 4)**

**⚠AVERTISSEMENT** : s'assurer que le bord tranchant ne présente pas de décoloration provoquée par une pression excessive. Cela pourrait compromettre la solidité de l'accessoire.

Plusieurs types de burins sont offerts en option.

1. Sélectionner le bon burin. Le nettoyer et en graisser l'emmanchement.
2. Insérer le burin et vérifier s'il est bien verrouillé.
3. Installer et régler la poignée latérale (F) et s'assurer qu'elle est fermement serrée.
4. Tenir l'outil par les deux poignées (B, F) et le mettre en marche. L'outil fonctionne maintenant en mode continu.
5. Toujours arrêter l'outil lorsque le travail est terminé et avant de le débrancher.

### **ENTRETIEN**

**⚠AVERTISSEMENT** : pour réduire le risque de blessures graves, arrêter l'outil et le débrancher avant d'effectuer tout réglage et d'enlever ou d'installer tout accessoire.

## Graissage

L'outil électrique n'exige aucun graissage supplémentaire.

## Nettoyage

**⚠AVERTISSEMENT** : enlever les saletés et la poussière hors des événements au moyen d'air comprimé sec, au moins une fois par semaine. Porter une protection oculaire conforme à la norme ANSI Z87.1 (CAN/CSA Z94.3) et une protection des voies respiratoires conforme aux normes NIOSH/OSHA/MSHA au cours de cette tâche de nettoyage.

**⚠AVERTISSEMENT** : ne jamais utiliser de solvants ni d'autres produits chimiques puissants pour nettoyer les pièces non métalliques de l'outil. Ces produits chimiques peuvent affaiblir les matériaux utilisés dans ces pièces. Utiliser un chiffon humecté uniquement d'eau et de savon doux. Ne jamais laisser de liquide pénétrer dans l'outil et n'immerger aucune partie de l'outil dans un liquide.

## Réparations

Cet outil ne peut être réparé par l'utilisateur. Confier l'outil à un technicien en réparation DEWALT après environ 100 heures d'utilisation. En cas de problèmes avant ce jalon, communiquer avec un technicien en réparation DEWALT.

Pour assurer la SÉCURITÉ et la FIABILITÉ du produit, les réparations, l'entretien et les réglages (y compris l'inspection et le remplacement des balais) doivent être réalisés par un centre de réparation en usine DEWALT, un centre de réparation autorisé DEWALT ou par un personnel d'entretien qualifié. Toujours utiliser des pièces de rechange identiques.

## Accessoires

**⚠AVERTISSEMENT** : puisque les accessoires autres que ceux offerts par DEWALT n'ont pas été testés avec ce produit, l'utilisation de ceux-ci avec l'outil pourrait s'avérer dangereuse. Pour réduire le risque de blessures, utiliser exclusivement les accessoires DEWALT recommandés avec le présent produit.

Il est possible de meuler les burins quelques fois seulement. Communiquer avec votre détaillant pour connaître ses recommandations.

Les accessoires recommandés pour utilisation avec l'outil sont offerts, à un coût supplémentaire, auprès du distributeur ou du centre de réparation autorisé de votre région. Pour toute demande d'assistance pour trouver un accessoire, veuillez contacter DEWALT Industrial Tool Co., 701 East Joppa Road, Baltimore, MD 21286, États-Unis, composer le 1-800-4-DEWALT (1-800-433-9258) ou visiter notre site Web à [www.dewalt.com](http://www.dewalt.com).

## Garantie limitée de trois ans

DEWALT réparera, sans frais, tout produit défectueux causé par un défaut de matériel ou de fabrication pour une période de trois ans à compter de la date d'achat. La présente garantie ne couvre pas les pièces dont la défectuosité a été causée par une usure normale ou l'usage abusif de l'outil. Pour obtenir de plus amples renseignements sur les pièces ou les réparations couvertes par la présente garantie, visiter le site [www.dewalt.com](http://www.dewalt.com) ou composer le 1 800 433-9258 (1 800 4-DEWALT). Cette garantie ne s'applique pas aux accessoires et ne vise pas les dommages causés par des réparations effectuées par un tiers. Cette garantie confère des droits légaux particuliers à l'acheteur, mais celui-ci pourrait aussi bénéficier d'autres droits variant d'un état ou d'une province à l'autre.

En plus de la présente garantie, les outils DEWALT sont couverts par notre :

#### CONTRAT D'ENTRETIEN GRATUIT DE 2 ANS

DEWALT entretiendra l'outil et remplacera les pièces usées au cours d'une utilisation normale et ce, gratuitement, pendant une période de deux ans à compter de la date d'achat.

#### GARANTIE DE REMBOURSEMENT DE 90 JOURS

Si l'acheteur n'est pas entièrement satisfait, pour quelque raison que ce soit, du rendement de l'outil électrique, du laser ou de la cloueuse DEWALT, celui-ci peut le retourner, accompagné d'un reçu, dans les 90 jours à compter de la date d'achat pour obtenir un remboursement intégral, sans aucun problème.

**AMÉRIQUE LATINE :** Cette garantie ne s'applique aux produits vendus en Amérique latine. Pour ceux-ci, veuillez consulter les informations relatives à la garantie spécifique présente dans l'emballage, appeler l'entreprise locale ou consulter le site Web pour les informations relatives à cette garantie.

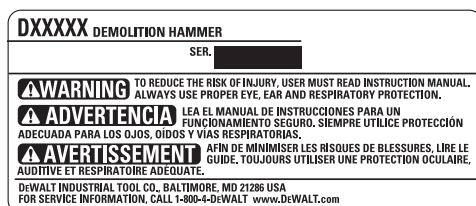
#### REPLACEMENT GRATUIT DES ÉTIQUETTES

**D'AVERTISSEMENT :** Si les étiquettes d'avertissement deviennent illisibles ou sont manquantes, composer le 1-800-4-DEWALT pour en obtenir le remplacement gratuit.

#### CARACTÉRISTIQUES TECHNIQUES

	D25960	D25961
Tension:	120 V AC ~	120 V AC ~
Intensité (en ampères):	15 A	15 A
Fréquence:	60 Hz	60 Hz
Watts:	1600 W	1600 W
Battements par minute (BPM)	1460/min	1460/min

Français



**Definiciones: Normas de seguridad**

Las siguientes definiciones describen el nivel de gravedad de cada palabra de señal. Lea el manual y preste atención a estos símbolos.

**⚠PELIGRO:** indica una situación de peligro inminente que, si no se evita, provocará **la muerte o lesiones graves**.

**⚠ADVERTENCIA:** indica una situación de peligro potencial que, si no se evita, **podría** provocar **la muerte o lesiones graves**.

**⚠ATENCIÓN:** indica una situación de peligro potencial que, si no se evita, **posiblemente** provocaría **lesiones leves o moderadas**.

**AVISO:** Se refiere a una práctica **no relacionada a lesiones corporales** que de no evitarse **puede** resultar en **daños a la propiedad**.

SI TIENE ALGUNA DUDA O ALGÚN COMENTARIO SOBRE ÉSTA U OTRA HERRAMIENTA DEWALT, LLÁMENOS AL NÚMERO GRATUITO: 1-800-4-DEWALT (1-800-433-9258).



**ADVERTENCIA:** Para reducir el riesgo de lesiones, lea el manual de instrucciones.

**Advertencias generales de seguridad para herramientas eléctricas**

**¡ADVERTENCIA!** Lea todas las advertencias de seguridad e instrucciones. El incumplimiento de las advertencias e instrucciones puede provocar descargas eléctricas, incendios o lesiones graves.

**CONSERVE TODAS LAS ADVERTENCIAS E INSTRUCCIONES PARA FUTURAS CONSULTAS**

El término "herramienta eléctrica" incluido en las advertencias hace referencia a las herramientas eléctricas operadas con corriente (con cable eléctrico) o a las herramientas eléctricas operadas con baterías (inalámbricas).

**1) SEGURIDAD EN EL ÁREA DE TRABAJO**

- a) **Mantenga el área de trabajo limpia y bien iluminada.** Las áreas abarrotadas y oscuras propician accidentes.
- b) **No opere las herramientas eléctricas en atmósferas explosivas, como ambientes donde haya polvo, gases o líquidos inflamables.** Las herramientas eléctricas originan chispas que pueden encender el polvo o los vapores.
- c) **Mantenga alejados a los niños y a los espectadores de la herramienta eléctrica en funcionamiento.** Las distracciones pueden provocar la pérdida de control.

**2) SEGURIDAD ELÉCTRICA**

- a) **Los enchufes de la herramienta eléctrica deben adaptarse al tomacorriente. Nunca modifique el enchufe de ninguna manera. No utilice ningún enchufe adaptador con herramientas eléctricas con conexión a tierra.** Los enchufes no modificados y que se adaptan a los tomacorrientes reducirán el riesgo de descarga eléctrica.
- b) **Evite el contacto corporal con superficies con descargas a tierra como, por ejemplo, tuberías, radiadores, cocinas eléctricas y refrigeradores.** Existe mayor riesgo de descarga eléctrica si su cuerpo está puesto a tierra.



- c) **No exponga las herramientas eléctricas a la lluvia o a condiciones de humedad.** Si entra agua a una herramienta eléctrica, aumentará el riesgo de descarga eléctrica.
- d) **No maltrate el cable. Nunca utilice el cable para transportar, tirar o desenchufar la herramienta eléctrica. Mantenga el cable alejado del calor, el aceite, los bordes filosos y las piezas móviles.** Los cables dañados o enredados aumentan el riesgo de descarga eléctrica.
- e) **Al operar una herramienta eléctrica en el exterior, utilice un cable prolongador adecuado para tal uso.** Utilice un cable adecuado para uso en exteriores a fin de reducir el riesgo de descarga eléctrica.
- f) **Si el uso de una herramienta eléctrica en un lugar húmedo es imposible de evitar, utilice un suministro protegido con un interruptor de circuito por falla a tierra (GFCI).** El uso de un GFCI reduce el riesgo de descargas eléctricas.

### 3) SEGURIDAD PERSONAL

- a) **Permanezca alerta, controle lo que está haciendo y utilice el sentido común cuando emplee una herramienta eléctrica. No utilice una herramienta eléctrica si está cansado o bajo el efecto de drogas, alcohol o medicamentos.** Un momento de descuido mientras se opera una herramienta eléctrica puede provocar lesiones personales graves.
- b) **Utilice equipos de protección personal. Siempre utilice protección para los ojos.** En las condiciones adecuadas, el uso de equipos de protección, como máscaras para polvo, calzado de seguridad antideslizante, cascos o protección auditiva, reducirá las lesiones personales.
- c) **Evite el encendido por accidente. Asegúrese de que el interruptor esté en la posición de apagado antes de conectarlo a la fuente de energía o paquete de baterías, o**

**antes de levantar o transportar la herramienta.** Transportar herramientas eléctricas con el dedo apoyado en el interruptor o enchufar herramientas eléctricas con el interruptor en la posición de encendido puede propiciar accidentes.

- d) **Retire la clavija de ajuste o la llave de tuercas antes de encender la herramienta eléctrica.** Una llave de tuercas o una clavija de ajuste que quede conectada a una pieza giratoria de la herramienta eléctrica puede provocar lesiones personales.
- e) **No se estire. Conserve el equilibrio y párese adecuadamente en todo momento.** Esto permite un mejor control de la herramienta eléctrica en situaciones inesperadas.
- f) **Use la vestimenta adecuada. No use ropas holgadas ni joyas. Mantenga el cabello, la ropa y los guantes alejados de las piezas en movimiento.** Las ropas holgadas, las joyas o el cabello largo pueden quedar atrapados en las piezas en movimiento.
- g) **Si se suministran dispositivos para la conexión de accesorios con fines de recolección y extracción de polvo, asegúrese de que estén conectados y que se utilicen correctamente.** El uso de dispositivos de recolección de polvo puede reducir los peligros relacionados con el polvo.

### 4) USO Y MANTENIMIENTO DE LA HERRAMIENTA ELÉCTRICA

- a) **No fuerce la herramienta eléctrica. Utilice la herramienta eléctrica correcta para el trabajo que realizará.** Si se la utiliza a la velocidad para la que fue diseñada, la herramienta eléctrica correcta permite trabajar mejor y de manera más segura.

- b) No utilice la herramienta eléctrica si no puede encenderla o apagarla con el interruptor.** Toda herramienta eléctrica que no pueda ser controlada mediante el interruptor es peligrosa y debe repararse.
- c) Desconecte el enchufe de la fuente de energía o el paquete de baterías de la herramienta eléctrica antes de realizar ajustes, cambiar accesorios o almacenar la herramienta eléctrica.** Estas medidas de seguridad preventivas reducen el riesgo de encender la herramienta eléctrica en forma accidental.
- d) Guarde la herramienta eléctrica que no esté en uso fuera del alcance de los niños y no permita que otras personas no familiarizadas con ella o con estas instrucciones operen la herramienta.** Las herramientas eléctricas son peligrosas si son operadas por usuarios no capacitados.
- e) Realice el mantenimiento de las herramientas eléctricas. Revise que no haya piezas en movimiento mal alineadas o trabadas, piezas rotas o cualquier otra situación que pueda afectar el funcionamiento de la herramienta eléctrica. Si encuentra daños, haga reparar la herramienta eléctrica antes de utilizarla.** Se producen muchos accidentes a causa de las herramientas eléctricas que carecen de un mantenimiento adecuado.
- f) Mantenga las herramientas de corte afiladas y limpias.** Las herramientas de corte con mantenimiento adecuado y con los bordes de corte afilados son menos propensas a trabarse y son más fáciles de controlar.
- g) Utilice la herramienta eléctrica, los accesorios y las brocas de la herramienta, etc. de acuerdo con estas instrucciones y teniendo en cuenta las condiciones de trabajo y el trabajo que debe realizarse.** El uso de la

herramienta eléctrica para operaciones diferentes de aquéllas para las que fue diseñada podría originar una situación peligrosa.

## 5) MANTENIMIENTO

- a) Solicite a una persona calificada en reparaciones que realice el mantenimiento de su herramienta eléctrica y que sólo utilice piezas de repuesto idénticas.** Esto garantizará la seguridad de la herramienta eléctrica.

## Instrucciones de seguridad adicionales para martillos de demolición

- **Use protectores auditivos.** La exposición al ruido puede ocasionar la pérdida de la audición.
- **Use los mangos auxiliares que se suministran con la herramienta.** La pérdida del control podría ocasionar lesiones personales.
- **Sostenga las herramientas eléctricas por sus superficies de empuñadura aisladas cuando realice una operación en la cual el accesorio de corte pudiera entrar en contacto con alambrado oculto o con su propio cable.** Si el accesorio de corte entra en contacto con un cable "vivo" puede hacer que las partes metálicas de la herramienta eléctrica queden "vivas" y causar una descarga eléctrica al operador.
- **Asegúrese de que el material por taladrar no contenga cableados o tuberías de gas ocultos, cuyas ubicaciones deben haber sido constatadas con las empresas de servicios públicos correspondientes.**
- **Sujete la herramienta firmemente en todo momento.** No intente hacer funcionar esta herramienta sin sostenerla con ambas manos. Si intenta hacerla funcionar con una sola mano, podría perder el control de la herramienta. También podría ser

peligroso perforar o encontrar materiales duros, como barras de refuerzo. Ajuste firmemente el mango lateral antes de utilizar la herramienta.

- **Asegúrese también de que el cincel esté bien colocado.**
- *En condiciones climáticas frías o cuando la herramienta no se ha utilizado durante un período largo, deje que funcione sin carga durante algunos minutos antes de usarla.*
- **Cuando trabaje por encima del nivel del suelo, asegúrese de que el área inferior esté libre.**
- **No toque el cincel ni las piezas cercanas a este inmediatamente después de usar la herramienta, ya que podrían estar extremadamente calientes y causarle quemaduras en la piel.**
- **Dirija siempre el cable de alimentación hacia la parte trasera, lejos del cincel.**
- **No haga funcionar esta herramienta durante períodos prolongados.** La vibración que produce la acción de percusión puede ser perjudicial para las manos y los brazos. Use guantes que provean amortiguación adicional, y tome descansos frecuentes para limitar la exposición.
- **Los orificios de ventilación suelen cubrir piezas en movimiento, por lo que también se deben evitar.** Las piezas en movimiento pueden atrapar prendas de vestir sueltas, joyas o el cabello largo.
- **Para garantizar la seguridad, un cable prolongador debe tener un tamaño de cable adecuado (AWG o Calibre de conductor de Estados Unidos).** Cuanto más pequeño sea el número de calibre del conductor, mayor será la capacidad del cable; es decir, un calibre 16 tiene más capacidad que un calibre 18. Un cable de menor capacidad provocará una disminución en el voltaje de la línea, lo cual producirá una pérdida

de potencia y sobrecalentamiento. Cuando se utiliza más de una prolongación para lograr la longitud total, asegúrese de que cada prolongación tenga la medida mínima del conductor. La siguiente tabla muestra la medida correcta que debe utilizar según la longitud del cable y la capacidad nominal en amperios indicada en la placa. En caso de duda, utilice el calibre inmediatamente superior. Cuanto menor sea el número de calibre, más grueso será el cable.

Calibre mínimo para juegos de cables					
Capacidad nominal en amperios	Voltios		Largo total del cable en metros (en pies)		
	120V	7,6 (25)	15,2 (50)	30,5 (100)	45,7 (150)
	240V	15,2 (50)	30,5 (100)	61,0 (200)	91,4 (300)
Desde	Hasta	AWG			
0	6	18	16	16	14
6	10	18	16	14	12
10	12	16	16	14	12
12	16	14	12	No recomendado	

**⚠ADVERTENCIA:** Use **SIEMPRE** lentes de seguridad. Los anteojos de uso diario **NO** son lentes de seguridad. Utilice también máscaras faciales o para polvo si los cortes producen polvillo. **UTILICE SIEMPRE EQUIPOS DE SEGURIDAD CERTIFICADOS:**

- Protección para los ojos ANSI Z87.1 (CAN/CSA Z94.3),
- Protección auditiva ANSI S12.6 (S3.19),
- Protección respiratoria según las normas NIOSH/OSHA/MSHA.

**⚠ADVERTENCIA:** Algunas partículas originadas al lijar, aserrar, amolar, taladrar y realizar otras actividades de construcción contienen productos químicos que producen cáncer, defectos de nacimiento y otros problemas reproductivos. Algunos ejemplos de estos productos químicos son:

- el plomo de las pinturas de base plomo,
- la sílice cristalina de ladrillos, el cemento y otros productos de mampostería, y
- el arsénico y el cromo de la madera con tratamiento químico.

El riesgo derivado de estas exposiciones varía según la frecuencia con la que se realice este tipo de trabajo. Para reducir la exposición a estos productos químicos, se recomienda trabajar en áreas bien ventiladas y usar equipos de seguridad aprobados, como las máscaras para polvo especialmente diseñadas para filtrar las partículas microscópicas.

- **Evite el contacto prolongado con las partículas de polvo originadas al lijar, aserrar, esmerilar, taladrar y realizar demás actividades de la construcción. Utilice ropa protectora y lave las áreas expuestas con agua y jabón.** Evite que el polvo entre en la boca y en los ojos o se deposite en la piel, para impedir la absorción de productos químicos nocivos.

**⚠ADVERTENCIA:** El uso de esta herramienta puede generar o dispersar partículas de polvo, que pueden causar lesiones respiratorias permanentes y graves u otras lesiones. Use siempre protección respiratoria apropiada para la exposición al polvo aprobada por NIOSH/OSHA (Instituto Nacional de Salud y Seguridad Ocupacional / Seguridad ocupacional y Administración de la Salud y Seguridad Ocupacional). Aleje la cara y el cuerpo del contacto con las partículas.

**⚠ADVERTENCIA:** Durante el uso, use siempre protección auditiva adecuada que cumpla con la norma ANSI S12.6 (S3.19). Bajo ciertas circunstancias y según el período de uso, el ruido producido por este producto puede contribuir a la pérdida de audición.

- La etiqueta de su herramienta puede incluir los siguientes símbolos. Los símbolos y sus definiciones son los siguientes:

V..... voltios  
 Hz..... hertz  
 min ..... minutos  
 ——— ... corriente directa  
 ⚠..... Construcción de Clase I  
 (tierra)  
 □..... Construcción de Clase II  
 (doble aislamiento)  
 .../min ..por minuto  
 BPM.....golpes por minuto  
 IPM..... impactos por minuto  
 RPM.....revoluciones por  
 minuto

A..... amperios  
 W..... vatios  
 ~ ..... corriente alterna  
 ≈ ..... corriente alterna o  
 directa  
 no ..... velocidad sin carga  
 ⊕ ..... terminal de  
 conexión a tierra  
 ⚠..... símbolo de  
 advertencia de  
 seguridad  
 sfpm .. pies de superficie  
 por minuto

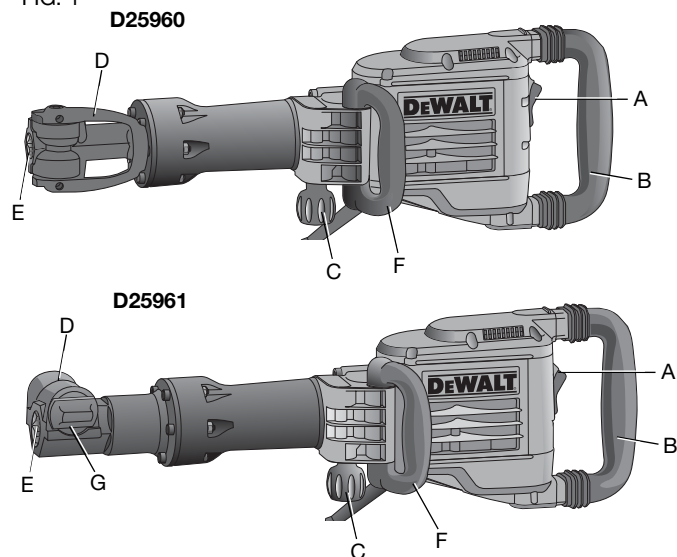
## GUARDE ESTAS INSTRUCCIONES PARA VOLVER A CONSULTAR EN EL FUTURO

### COMPONENTES (Fig. 1)

**⚠ADVERTENCIA:** Nunca modifique la herramienta eléctrica ni ninguna pieza de ésta. Puede ocasionar un daño o una lesión personal.

- |   |                                |
|---|--------------------------------|
| A. Interruptor de encendido/apagado             | D. Retenedor de la herramienta |
| B. Agarradera principal                         | E. Portaherramientas           |
| C. Perilla de sujeción de la agarradera lateral | F. Mango lateral               |
|   | G. Perno retenedor             |

FIG. 1



#### USO PREVISTO

Los martillos de demolición para trabajo pesado D25960 y D25961 están diseñados para aplicaciones profesionales de demolición, cincelado y grabado. **NO** use la herramienta en condiciones de humedad o en presencia de gases o líquidos inflamables.

Estos martillos de demolición para trabajo pesado son herramientas eléctricas profesionales. **NO** permita que los niños tengan contacto con la herramienta. Se debe supervisar a los operadores inexpertos que utilizan esta herramienta.

#### Control activo de vibración

El control activo de vibración neutraliza la vibración de rebote del mecanismo de percusión. Al reducir la vibración de manos y brazos, permite un uso más cómodo por períodos más prolongados y extiende la vida útil de la unidad.

#### MONTAJE Y AJUSTE

**⚠ADVERTENCIA:** Desenchufe siempre la herramienta antes de realizar el montaje y el ajuste.

**⚠ADVERTENCIA:** Use siempre guantes cuando cambie los accesorios. Las partes metálicas expuestas de la herramienta y los accesorios pueden calentarse excesivamente durante el funcionamiento.

**⚠ADVERTENCIA:** Debido a que no se han probado con este producto otros accesorios que no sean los que ofrece DEWALT, el uso de dichos accesorios podría ser peligroso. Para reducir el riesgo de lesiones, con este producto deben usarse sólo los accesorios DEWALT recomendados.

**AVISO:** Para reducir la contaminación de polvo en la herramienta, mantenga el polvo y los residuos alejados de la broca y el percutor.

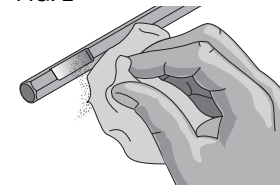
#### Cómo insertar y quitar accesorios hexagonales de 28 mm (1-1/8 pulg.) (Fig. 2, 3)

##### D25960

Esta máquina utiliza cinces con un vástago hexagonal de 28 mm (1-1/8 pulg.).

Limpie el vástago del cincel (Fig. 2).

FIG. 2

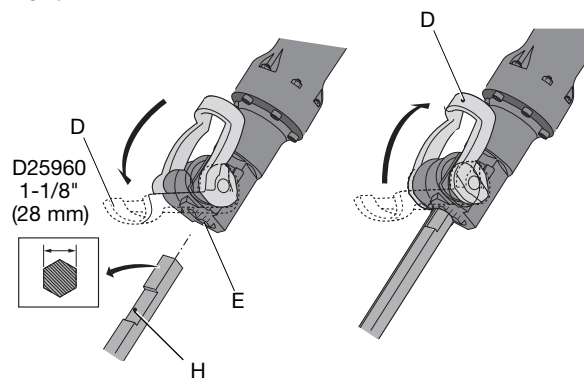


Español

**PARA MONTAR UN CINCEL CON SURCO EN EL VÁSTAGO (FIG. 3A)**

1. Hale el retenedor de la herramienta (D) hasta la posición de desbloqueo.
2. Sostenga el cincel en frente del portaherramientas con el surco (H) mirando hacia arriba.
3. Inserte el vástago del cincel en el portaherramientas (E). Cerciérese de que el vástago del cincel esté correctamente orientado, como se muestra.

FIG. 3A



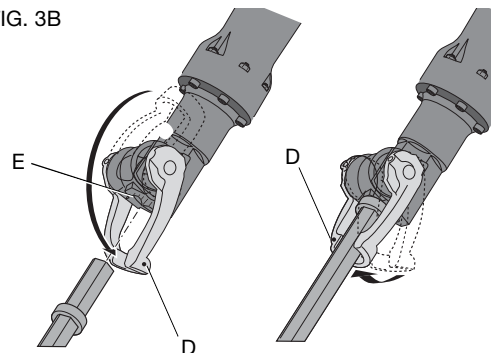
4. Hale el retenedor (D) hacia atrás para asegurar el accesorio en la posición adecuada.
5. Tire del cincel para comprobar que esté bien asegurado. La función de martilleo requiere que el cincel pueda moverse axialmente varios centímetros cuando está sujeto en el portaherramientas.

6. Para quitar un cincel hale el retenedor (D) hacia atrás y hale el cincel para sacarlo del portaherramientas (E).

**PARA MONTAR UN CINCEL CON COLLARÍN SOBRE EL VÁSTAGO (FIG. 3B)**

1. Hale el retenedor de la herramienta (D) hasta la posición de desbloqueo.
2. Inserte el vástago del cincel en el portaherramientas (E). Cerciérese de que el vástago del cincel esté correctamente orientado, como se muestra.
3. Empuje el retenedor (D) en línea con el vástago de accesorios para asegurar el accesorio en su posición.
4. Tire del cincel para comprobar que esté bien asegurado. La función de martilleo requiere que el cincel pueda moverse axialmente varios centímetros cuando está sujeto en el portaherramientas.
5. Para quitar un cincel hale el retenedor (D) hacia atrás y hale el cincel para sacarlo del portaherramientas (E).

FIG. 3B



## Cómo insertar y quitar accesorios hexagonales de 30 mm (1-1/4 pulg.) (Fig. 2, 3)

### D25961

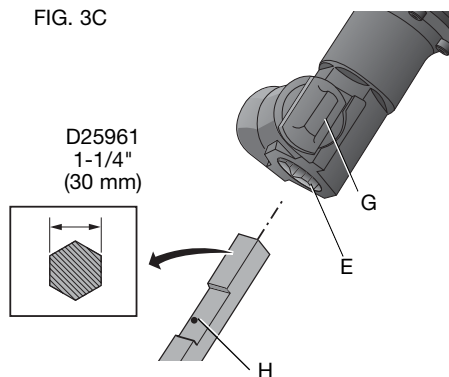
Esta máquina utiliza cinceles con un vástago hexagonal de 30 mm (1-1/4 pulg.).

Limpie el vástago del cincel (Fig. 2).

### PARA MONTAR UN CINCEL CON SURCO EN EL VÁSTAGO (FIG. 3C)

1. Hale el perno retenedor (G) y dele vuelta 180° hasta la posición de desbloqueo.

FIG. 3C



2. Sostenga el cincel en frente del portaherramientas con el surco (H) mirando hacia arriba.
3. Inserte el vástago del cincel en el portaherramientas (E).

4. Hale el perno retenedor (G) y regréselo 180° hasta la posición de bloqueo.
5. Tire del cincel para comprobar que esté bien sujeto. La función de martilleo precisa que el cincel pueda moverse axialmente varios centímetros cuando está sujeto en el portaherramientas.
6. Para retirar un cincel hale el perno retenedor (G) y dele vuelta 180° hasta la posición de desbloqueo.

### Ajuste de la agarradera lateral (Fig. 1)

**⚠ADVERTENCIA:** Utilice siempre la máquina con la agarradera lateral montada correctamente.

La agarradera lateral (F) ha sido dispuesta sobre la máquina de tal modo que se adapte a usuarios diestros y zurdos

1. Afloje la perilla de soporte (C) y gire la agarradera lateral a la posición deseada.
2. Fije en su sitio la agarradera lateral apretando la perilla de soporte (D). Cerciórese de que la agarradera lateral esté sujeta firmemente y no gire.

### OPERACIÓN

#### Instrucciones de uso

**⚠ADVERTENCIA:** Cumpla siempre las instrucciones de seguridad y las normas aplicables.

**⚠ADVERTENCIA:** Conozca la ubicación de las tuberías y el cableado eléctrico.

**⚠ADVERTENCIA:** Aplique una presión aproximada de 20 a 30 kg (44 a 66 lb) a la herramienta. La fuerza excesiva no acelera el cincelado sino que disminuye el rendimiento de la herramienta y puede acortar su vida útil.

### Posición adecuada de las manos (Fig. 4)

⚠ **ADVERTENCIA:** Para reducir el riesgo de lesiones personales, **SIEMPRE** coloque las manos en forma adecuada, tal como se muestra.

⚠ **ADVERTENCIA:** Para reducir el riesgo de lesiones personales, **SIEMPRE** debe sujetar la herramienta correctamente para anticipar reacciones súbitas.

**IMPORTANTE:** La herramienta debe ser sostenida con dos manos en todo momento en que se esté usando.

FIG. 4A

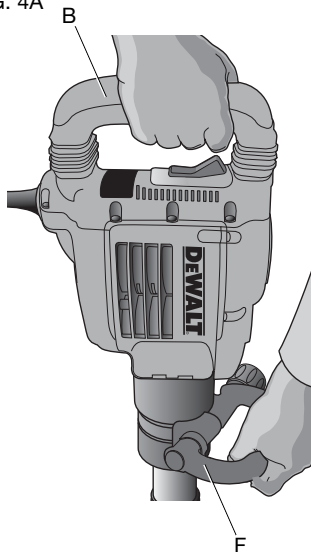
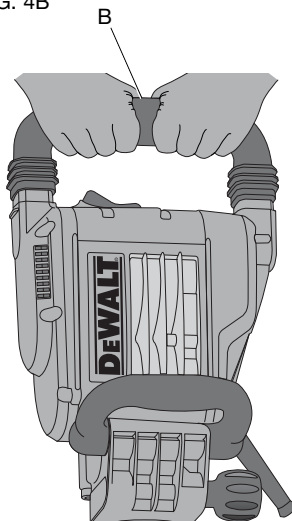


FIG. 4B



### Aplicaciones horizontales (Fig. 4A):

Mantenga una mano sobre la agarradera lateral (F) y la otra sobre agarradera principal (B) a fin de sujetar la máquina correctamente.

### Aplicaciones verticales (Fig. 4B):

La posición apropiada de las manos requiere que ambas se coloquen sobre la agarradera principal (B).

### Encendido y apagado (Fig. 1)

Para encender la herramienta, coloque el interruptor de encendido/apagado (A) en la posición 1. Para apagarla, coloque el interruptor de encendido/apagado (A) en la posición 0.

### Demolición, grabado y acanalado (Fig. 1, 4)

⚠ **ADVERTENCIA:** Asegúrese de que el borde de corte no esté decolorado debido a la presión excesiva. Esto puede disminuir la dureza del accesorio.

Como opción, dispone de diversos tipos de cinceles.

1. Seleccione el cincel adecuado. Limpie y engrase el vástago.
2. Inserte el cincel y verifique que esté bien ajustado.
3. Coloque y ajuste el mango lateral (F) y asegúrese de que esté bien ajustado.
4. Sostenga la herramienta por ambos mangos (B, F) y enciéndala. La herramienta funciona en modo continuo.
5. Cuando termine el trabajo, apague siempre la herramienta antes de desenchufarla.

### MANTENIMIENTO

⚠ **ADVERTENCIA:** Para reducir el riesgo de lesiones personales graves, apague la herramienta y desconéctela de la fuente de energía antes de realizar ajustes o de retirar o instalar cualquier dispositivo o accesorio.



## **Lubricación**

Esta herramienta eléctrica no requiere lubricación adicional.

## **Limpieza**

**⚠ADVERTENCIA:** Sople la suciedad y el polvo de todos los conductos de ventilación con aire seco al menos una vez por semana. Use la adecuada protección para los ojos ANSI Z87.1 (CAN/CSA Z94.3) y la adecuada protección respiratoria NIOSH/OSHA/MSHA cuando realice esta operación.

**⚠ADVERTENCIA:** Nunca utilice solventes u otros productos químicos abrasivos para limpiar las piezas no metálicas de la herramienta. Estos productos químicos pueden debilitar los materiales plásticos utilizados en estas piezas. Utilice un paño humedecido sólo con agua y jabón neutro. Nunca permita que penetre líquido dentro de la herramienta y nunca sumerja las piezas de la herramienta en un líquido.

## **Reparaciones**

Esta máquina no está diseñada para que el usuario realice su mantenimiento. Lleve la herramienta a un agente de reparaciones DEWALT autorizado después de 100 horas de uso, aproximadamente. Si se produce algún problema antes de este momento, comuníquese con un agente de reparaciones DEWALT autorizado.

Para garantizar la SEGURIDAD y la CONFIABILIDAD, las reparaciones, el mantenimiento y los ajustes (incluida la inspección y el reemplazo de cepillos) deben realizarse en un centro de mantenimiento de fábrica de DEWALT, un centro de mantenimiento DEWALT autorizado o por otro personal de mantenimiento calificado. Utilice siempre piezas de repuesto idénticas.

## **Accesorios**

**⚠ADVERTENCIA:** Debido a que no se han probado con este producto otros accesorios que no sean los que ofrece DEWALT, el uso de dichos accesorios podría ser peligroso. Para reducir el riesgo de lesiones, con este producto deben usarse sólo los accesorios DEWALT recomendados.

Estos cinceles pueden rectificarse sólo una cantidad limitada de veces. Comuníquese con su concesionario para obtener asesoramiento.

Los accesorios que se recomiendan para utilizar con la herramienta están disponibles a un costo adicional en su distribuidor local o en un centro de mantenimiento autorizado. Si necesita ayuda para localizar algún accesorio, póngase en contacto con DEWALT Industrial Tool Co., 701 East Joppa Road, Baltimore, MD 21286, llame al 1-800-4-DEWALT (1-800-433-9258) o visite nuestro sitio web [www.dewalt.com](http://www.dewalt.com).

## **Póliza de Garantía**

IDENTIFICACIÓN DEL PRODUCTO:

Sello o firma del Distribuidor.

Nombre del producto: \_\_\_\_\_

Mod./Cat.: \_\_\_\_\_

Marca: \_\_\_\_\_ Núm. de serie: \_\_\_\_\_

(Datos para ser llenados por el distribuidor)

Fecha de compra y/o entrega del producto: \_\_\_\_\_

Nombre y domicilio del distribuidor donde se adquirió el producto: \_\_\_\_\_

Este producto está garantizado por un año a partir de la fecha de entrega, contra cualquier defecto en su funcionamiento, así como en materiales y mano de obra empleados para su fabricación.

**Español**

Nuestra garantía incluye la reparación o reposición del producto y/o componentes sin cargo alguno para el cliente, incluyendo mano de obra, así como los gastos de transportación razonablemente erogados derivados del cumplimiento de este certificado.

Para hacer efectiva esta garantía deberá presentar su herramienta y esta póliza sellada por el establecimiento comercial donde se adquirió el producto, de no contar con ésta, bastará la factura de compra.

#### **EXCEPCIONES**

Esta garantía no será válida en los siguientes casos:

- Cuando el producto se hubiese utilizado en condiciones distintas a las normales;
- Cuando el producto no hubiese sido operado de acuerdo con el instructivo de uso que se acompaña;
- Cuando el producto hubiese sido alterado o reparado por personas distintas a las enlistadas al final de este certificado.

Anexo encontrará una relación de sucursales de servicio de fábrica, centros de servicio autorizados y franquiciados en la República Mexicana, donde podrá hacer efectiva su garantía y adquirir partes, refacciones y accesorios originales.

#### **Garantía limitada por tres años**

DEWALT reparará, sin cargo, cualquier falla que surja de defectos en el material o la fabricación del producto, por hasta tres años a contar de la fecha de compra. Esta garantía no cubre fallas de las piezas causadas por su desgaste normal o abuso a la herramienta. Para mayores detalles sobre la cobertura de la garantía e información acerca de reparaciones realizadas bajo garantía, visítenos en [www.dewalt.com](http://www.dewalt.com) o diríjase al centro de servicio más cercano. Esta garantía no aplica a accesorios o a

daños causados por reparaciones realizadas o intentadas por terceros. Esta garantía le otorga derechos legales específicos, además de los cuales puede tener otros dependiendo del estado o la provincia en que se encuentre.

Además de la garantía, las herramientas DEWALT están cubiertas por:

#### **2 AÑOS DE SERVICIO GRATUITO**

DEWALT mantendrá la herramienta y reemplazará las piezas gastadas por su uso normal, sin cobro, en cualquier momento durante dos años a contar de la fecha de compra. Los artículos gastados por la clavadora, tales como la unidad de hoja y retorno del impulsador, no están cubiertas.

#### **GARANTÍA DE REEMBOLSO DE SU DINERO POR 90 DÍAS**

Si no está completamente satisfecho con el desempeño de su máquina herramienta, láser o clavadora DEWALT, cualquiera sea el motivo, podrá devolverlo hasta 90 días de la fecha de compra con su recibo y obtener el reembolso completo de su dinero – sin necesidad de responder a ninguna pregunta.

**AMÉRICA LATINA:** Esta garantía no se aplica a los productos que se venden en América Latina. Para los productos que se venden en América Latina, debe consultar la información de la garantía específica del país que viene en el empaque, llamar a la compañía local o visitar el sitio Web a fin de obtener esa información.

**REEMPLAZO GRATUITO DE LAS ETIQUETAS DE ADVERTENCIAS:** Si sus etiquetas de advertencia se vuelven ilegibles o faltan, llame al 1-800-4-DEWALT para que se le reemplacen gratuitamente.



### ESPECIFICACIONES

	D25960	D25961
Tensión de alimentación:	120 V AC ~	120 V AC ~
Consumo de corriente:	15 A	15 A
Frecuencia de alimentación:	50-60 Hz	60 Hz
Potencia nominal:	1 600 W	1 600 W
Golpes por minuto (BPM):	1 460/min	1 460/min

### PARA REPARACIÓN Y SERVICIO DE SUS HERRAMIENTAS ELÉCTRICAS, FAVOR DE DIRIGIRSE AL CENTRO DE SERVICIO MÁS CERCANO

#### CULIACAN, SIN

Bldv.Emiliano Zapata 5400-1 Poniente  
Col. San Rafael (667) 717 89 99

#### GUADALAJARA, JAL

Av. La Paz #1779 - Col. Americana Sector Juárez (33) 3825 6978

#### MEXICO, D.F.

Eje Central Lázaro Cárdenas No. 18  
Local D, Col. Obrera (55) 5588 9377

#### MERIDA, YUC

Calle 63 #459-A - Col. Centro (999) 928 5038

#### MONTERREY, N.L.

Av. Francisco I. Madero 831 Poniente - Col. Centro (818) 375 23 13

#### PUEBLA, PUE

17 Norte #205 - Col. Centro (222) 246 3714

#### QUERETARO, QRO

Av. San Roque 274 - Col. San Gregorio (442) 2 17 63 14

#### SAN LUIS POTOSI, SLP

Av. Universidad 1525 - Col. San Luis (444) 814 2383

#### TORREON, COAH

Bldv. Independencia, 96 Pte. - Col. Centro (871) 716 5265

#### VERACRUZ, VER

Prolongación Díaz Mirón #4280 - Col. Remes (229) 921 7016

#### VILLAHERMOSA, TAB

Constitución 516-A - Col. Centro (993) 312 5111

#### PARA OTRAS LOCALIDADES:

Si se encuentra en México, por favor llame al (55) 5326 7100

Si se encuentra en U.S., por favor llame al  
1-800-433-9258 (1-800 4-DeWALT)

SOLAMENTE PARA PROPÓSITO DE MÉXICO:  
IMPORTADO POR: DeWALT S.A. DE C.V.  
BOSQUES DE CIDROS, ACCESO RADIATAS NO.42  
3A. SECCIÓN DE BOSQUES DE LAS LOMAS  
DELEGACIÓN CUAJIMALPA,  
05120, MÉXICO, D.F.  
TEL. (52) 555-326-7100  
R.F.C.: BDE810626-1W7

Para servicio y ventas consulte  
"HERRAMIENTAS ELÉCTRICAS"  
en la sección amarilla.



Español

DEWALT Industrial Tool Co., 701 Joppa Road, Baltimore, MD 21286  
(MAY11) Part No. N107786 D25960, D25961 Copyright © 2011 DEWALT

The following are trademarks for one or more DEWALT power tools: the yellow and black color scheme; the “D” shaped air intake grill; the array of pyramids on the handgrip; the kit box configuration; and the array of lozenge-shaped humps on the surface of the tool.