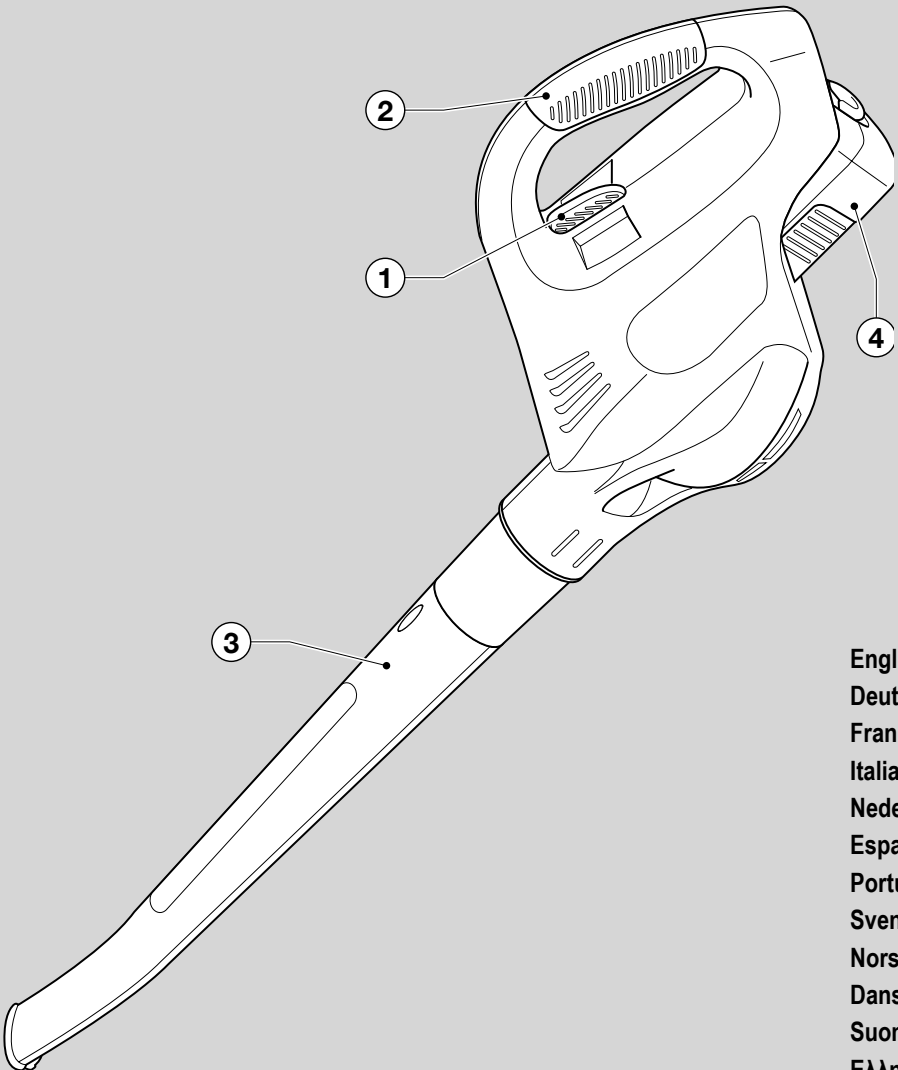


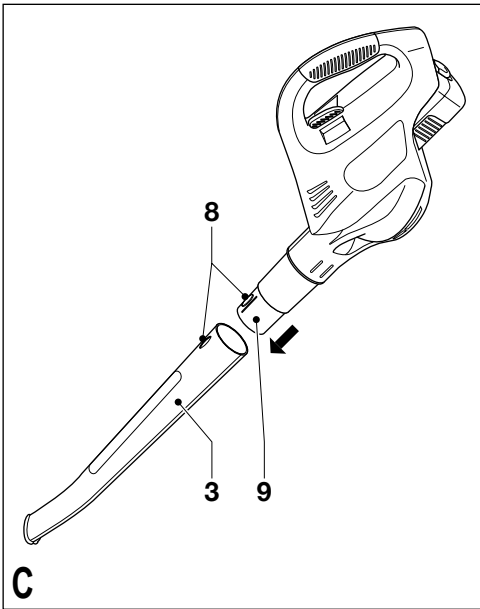
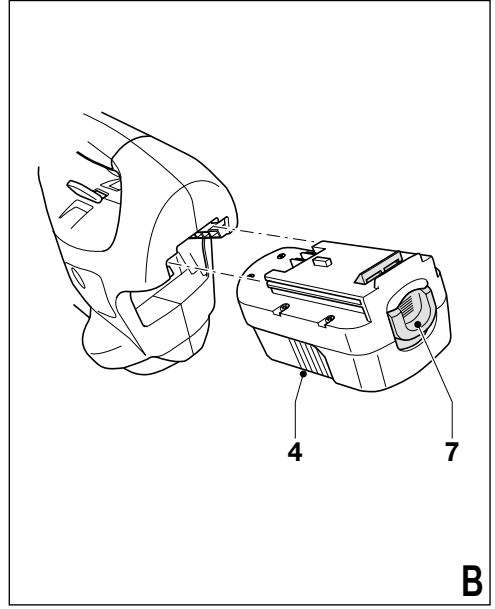
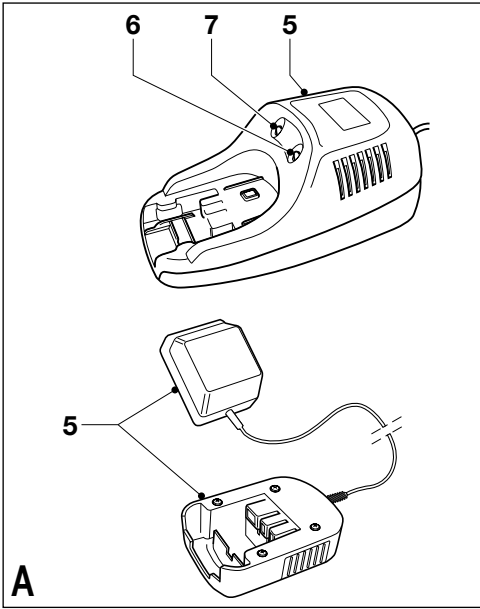


BLACK & DECKER®

www.blackanddecker.eu



English	3
Deutsch	7
Français	12
Italiano	17
Nederlands	21
Español	27
Português	32
Svenska	37
Norsk	41
Dansk	45
Suomi	50
Ελληνικά	547



Intended use

Your Black & Decker cordless blower has been designed for blowing leaves and debris. This tool is intended for consumer and outdoor use only.

Your Black & Decker charger has been designed for charging Black & Decker batteries of the type supplied with this tool.

Safety instructions

- ◆ **Warning!** When using battery-powered tools, basic safety precautions, including the following, should always be followed to reduce the risk of fire, leaking batteries, personal injury and material damage.
- ◆ Read all of this manual carefully before operating the tool.
- ◆ Retain this manual for future reference.

Keep work area clean

Cluttered areas and benches can cause accidents.

Consider work area environment

Do not expose the tool to rain. Do not use the tool in damp or wet conditions. Keep the work area well lit. Do not use the tool where there is a risk of causing fire or explosion, e.g. in the presence of flammable liquids and gases.

Keep children away

Do not allow children, visitors or animals to come near the work area or to touch the tool.

Dress properly

Do not wear loose clothing or jewellery, as these can be caught in moving parts. Preferably wear rubber gloves and non-slip footwear when working outdoors. Wear protective hair covering to keep long hair out of the way.

Personal protection

Always use safety glasses. Use a face or dust mask whenever the operations may produce dust or flying particles. Hearing protection should be worn.

Do not overreach

Keep proper footing and balance at all times.

Stay alert

Watch what you are doing. Use common sense. Do not operate the tool when you are tired.

Secure workpiece

Use clamps or a vice to hold the workpiece. It is safer and it frees both hands to operate the tool.

Connect dust extraction equipment

If devices are provided for the connection of dust extraction and collection facilities, ensure that these are connected and properly used.

Remove adjusting keys and wrenches

Always check that adjusting keys and wrenches are removed from the tool before operating the tool.

Use appropriate tool

The intended use is described in this instruction manual.

Do not force small tools or attachments to do the job of a heavy-duty tool. The tool will do the job better and safer at the rate for which it was intended. Do not force the tool.

Warning! The use of any accessory or attachment or performance of any operation with this tool other than those recommended in this instruction manual may present a risk of personal injury.

Check for damaged parts

Before use, carefully check the tool for damage. Check for misalignment and seizure of moving parts, breakage of parts, damage to guards and switches and any other conditions that may affect its operation. Ensure that the tool will operate properly and perform its intended function. Do not use the tool if any part is damaged or defective. Do not use the tool if the switch does not turn it on and off. Have any damaged or defective parts repaired or replaced by an authorised repair agent. Never attempt any repairs yourself.

Remove the battery

Where the design permits, remove the battery when the tool is not in use, before changing any parts of the tool, accessories or attachments and before servicing.

Avoid unintentional starting

Do not carry the tool with a finger on the on/off switch. Be sure that the tool is switched off when inserting the battery into the tool.

Do not abuse cord

Never carry the charger by its cord or pull it to disconnect from the socket. Keep the cord away from heat, oil and sharp edges.

Store idle tools

When not in use, tools, batteries and chargers should be stored in a dry, locked up or high place, out of reach of children.

Maintain tools with care

Keep cutting tools sharp and clean for better and safer performance. Follow the instructions for maintenance and changing accessories. Keep handles and switches dry, clean and free from oil and grease.

Repairs

This tool complies with relevant safety requirements. Repairs should only be carried out by qualified persons using original spare parts; otherwise this may result in considerable danger to the user.

Additional safety instructions for batteries and chargers

Batteries

- ◆ Never attempt to open for any reason.
- ◆ Do not expose the battery to water.
- ◆ Do not store in locations where the temperature may exceed 40 °C.

- ◆ Charge only at ambient temperatures between 4 °C and 40 °C.
- ◆ Charge only using the charger provided with the tool.
- ◆ When disposing of batteries, follow the instructions given in the section "Protecting the environment".
- ◆ Under extreme conditions, battery leakage may occur.

When you notice liquid on the battery, proceed as follows:

- Carefully wipe the liquid off using a cloth. Avoid skin contact.
- In case of skin or eye contact, follow the instructions below.

Warning! The battery fluid, a 25-30% solution of potassium hydroxide, can be harmful. In case of skin contact, immediately rinse with water. Neutralise with a mild acid such as lemon juice or vinegar. In case of eye contact, rinse abundantly with clean water for at least 10 minutes. Consult a physician.

- ◆ Do not incinerate the battery.
- ◆ Do not attempt to charge damaged batteries.

Chargers

- ◆ Use your Black & Decker charger only to charge the battery in the tool with which it was supplied. Other batteries could burst, causing personal injury and damage.
- ◆ Never attempt to charge non-rechargeable batteries.
- ◆ Have defective cords replaced immediately.
- ◆ Do not expose the charger to water.
- ◆ Do not open the charger.
- ◆ Do not probe the charger.



The charger is intended for indoor use only.

Electrical safety



Your charger is double insulated; therefore no earth wire is required. Always check that the mains voltage corresponds to the voltage on the rating plate. Never attempt to replace the charger unit with a regular mains plug.

Labels on tool

The following pictograms are shown on the tool:



Warning! To reduce the risk of injury, the user must read the instruction manual.



Switch the tool off. Before performing any maintenance on the tool, remove the battery from the tool.

Additional safety instructions for blowers

Warning! Do not point the tool at persons or animals when it is switched on.



Wear safety glasses or goggles when operating this tool.

- ◆ Use a face or dust mask whenever the operations take place in dusty surroundings.
- ◆ Do not expose the tool to rain or high humidity.
- ◆ Do not place outlet tubes near eyes or ears when operating.
- ◆ Do not cross gravel paths or place the tool on gravel while the tool is switched on.
- ◆ Do not place any objects into the openings and moving parts.
- ◆ Before removing the blow tube, always switch off the tool, remove the battery and allow the tool to run down.
- ◆ Read the instructions carefully. Be familiar with the controls and the proper use of the appliance.
- ◆ Do not allow children or any person unfamiliar with these instructions to operate the appliance. Local regulations may restrict the age of the operator.
- ◆ Never use the appliance while people, especially children, or pets are nearby.
- ◆ Remember that the operator will be held responsible for accidents or hazards occurring to other people or their property.

Preparation

- ◆ Do not operate your product barefoot or in open sandals.
- ◆ To protect your feet and legs, always wear stout shoes or boots and long trousers - freshly cut grass is damp and slippery. Rubber or man made footwear will enhance your safety.

Warning! Only use the tool in the manner it was intended.

Overview

1. On/off switch
2. Handle
3. Blow tube
4. Battery

Fig. A

5. Charger
6. Charging indicator
7. End of charge indicator

Assembly

Warning! Before assembly, remove the battery from the tool.

Fitting and removing the battery (fig. B)

- ◆ To fit the battery (4), line it up with the receptacle on the tool. Slide the battery into the receptacle and push until the battery snaps into place.
- ◆ To remove the battery, push the release button (7) while at the same time pulling the battery out of the receptacle.

Connecting the blow tube (fig. C)

Blow tube must be assembled to the blow clamshell before use.

- ◆ Align the circles (8) on the clamshell (9) and the tube (3).
- ◆ Push the tube firmly onto the clamshell until the circles click into place.
- ◆ For storage the blow tube can be detached from the blow clamshell by depressing the circles on either side and gently sliding off the tube.

Use

Warning! Let the tool work at its own pace. Do not overload.

- ◆ To charge the battery (4), remove it from the tool and insert it into the charger (5). The battery will only fit into the charger in one way. Do not force. Be sure that the battery is fully seated in the charger.
- ◆ Plug in the charger.

8 hour charger

The battery will be fully charged in approx. 8 hours. It can be removed at any time or left in the connected charger indefinitely.

1 hour charger

- ◆ Check if the red charging indicator (6) lights up. If the green end of charge indicator (7) lights up now instead, the battery is too hot and cannot be charged. If this happens, remove the battery from the charger, let the battery cool down for approx. 1 hour and re-insert it.

After approx. 1 hour of charging, the red charging indicator will stop lighting and the green end of charge indicator will light up. The battery is now fully charged.

- ◆ Remove the battery from the charger.

Switching on and off

- ◆ To switch the tool on, press the on/off switch (1).
- ◆ To switch the tool off, release the on/off switch.

Hints for optimum use

- ◆ Hold the blow tube approx. 180 mm above the ground when operating the tool.
- ◆ Use a sweeping motion from side to side. Advance slowly keeping the accumulated debris/leaves in front of you (fig. D).
- ◆ After blowing the debris/leaves into a pile, it is easy to dispose of the pile.

Cleaning the tool

Clean the tool regularly.

Warning! Keep your product dry. Under no circumstances spray with water.

- ◆ To clean the tool, use only mild soap and a damp cloth.

Warning! Do not use any type of detergent, cleaner or solvent which may contain chemicals that could seriously damage the plastic.

- ◆ Self lubricating bearings are used in your product, therefore lubrication is not required.

Protecting the environment



Separate collection. This product must not be disposed of with normal household waste.

Should you find one day that your Black & Decker product needs replacement, or if it is of no further use to you, do not dispose of it with household waste. Make this product available for separate collection.



Separate collection of used products and packaging allows materials to be recycled and used again. Re-use of recycled materials helps prevent environmental pollution and reduces the demand for raw materials.

Local regulations may provide for separate collection of electrical products from the household, at municipal waste sites or by the retailer when you purchase a new product.

Black & Decker provides a facility for the collection and recycling of Black & Decker products once they have reached the end of their working life. To take advantage of this service please return your product to any authorised repair agent who will collect them on our behalf.

You can check the location of your nearest authorised repair agent by contacting your local Black & Decker office at the address indicated in this manual. Alternatively, a list of authorised Black & Decker repair agents and full details of our after-sales service and contacts are available on the Internet at: www.2helpU.com

Batteries



Black & Decker batteries can be recharged many times. At the end of their useful life, discard batteries with due care for our environment:

- ◆ Run the battery down completely, then remove it from the tool.
- ◆ NiCd, NiMH and Li-Ion batteries are recyclable. Take them to any authorised repair agent or a local recycling station.

Technical data

		GW180/ GW180NM	GW180P
Voltage	V _{DC}	18	18
Weight (without battery)	kg	2.2	2.2

Battery

Voltage	V _{DC}	18	18
Capacity	Ah	1.5	1.7
Weight	kg	0.8	0.8

Charger

Input voltage	V _{AC}	230	230
Approx. charging time	h	8	8
Weight	kg	0.4	0.4

EC declaration of conformity

GW180/GW180NM/GW180P

Black & Decker declares that these products conform to:
98/37/EC, 2006/95/EC, EN 50260, EN 61000, EN 60335
2000/14/EC, Leaf blower, 2.0 m³, Annex V

Level of sound pressure, measured according to 2000/14/EC:

- L_{PA} (sound pressure) 74 dB(A), uncertainty (K) 3 dB(A)
- L_{WA} (acoustic power) 88 dB(A), uncertainty (K) 3 dB(A)
- L_{WA} (guaranteed) 90 dB(A), uncertainty (K) 3 dB(A)

Hand/arm weighted vibration value according to
EN 60745 Annex K: 2.5 m/s²

The undersigned is responsible for compilation of the technical file and makes this declaration on behalf of Black & Decker.



Kevin Hewitt
Director of Consumer Engineering
Spennymoor, County Durham DL16 6JG,
United Kingdom
1-7-2008

Guarantee

Black & Decker is confident of the quality of its products and offers an outstanding guarantee. This guarantee statement is in addition to and in no way prejudices your statutory rights. The guarantee is valid within the territories of the Member States of the European Union and the European Free Trade Area.

If a Black & Decker product becomes defective due to faulty materials, workmanship or lack of conformity, within 24 months from the date of purchase, Black & Decker guarantees to replace defective parts, repair products subjected to fair wear and tear or replace such products to ensure minimum inconvenience to the customer unless:

- ◆ The product has been used for trade, professional or hire purposes;
- ◆ The product has been subjected to misuse or neglect;
- ◆ The product has sustained damage through foreign objects, substances or accidents;
- ◆ Repairs have been attempted by persons other than authorised repair agents or Black & Decker service staff.

To claim on the guarantee, you will need to submit proof of purchase to the seller or an authorised repair agent. You can check the location of your nearest authorised repair agent by contacting your local Black & Decker office at the address indicated in this manual. Alternatively, a list of authorised Black & Decker repair agents and full details of our after-sales service and contacts are available on the Internet at:

www.2helpU.com

Please visit our website **www.blackanddecker.co.uk** to register your new Black & Decker product and to be kept up to date on new products and special offers. Further information on the Black & Decker brand and our range of products is available at **www.blackanddecker.co.uk**

Bestimmungsgemäße Verwendung

Ihr schnurloses Black & Decker Gebläse wurde zum Blasen von Laub und Unrat entwickelt. Dieses Gerät ist nicht für den gewerblichen Einsatz und nur für Arbeiten im Freien vorgesehen.

Ihr Black & Decker Ladegerät wurde zum Laden von Black & Decker Akkus vom im Lieferumfang enthaltenen Typ entwickelt.

Sicherheitshinweise

- ◆ **Warnung!** Bei der Verwendung von Akkugeräten sind zum Schutz gegen Feuergefahr, gegen Austreten der Akkuflüssigkeit sowie gegen Körper- und Sachschaden grundlegende Sicherheitsmaßnahmen, einschließlich der folgenden Vorschriften, zu beachten.
- ◆ Lesen Sie diese Anleitung gründlich durch, bevor Sie das Gerät verwenden.
- ◆ Bewahren Sie diese Anleitung auf.

Halten Sie Ihren Arbeitsbereich in Ordnung!

Unordnung im Arbeitsbereich führt zu Unfallgefahren.

Berücksichtigen Sie Umgebungseinflüsse!

Setzen Sie das Gerät keinem Regen aus. Verwenden Sie das Gerät nicht in einer feuchten oder nassen Umgebung. Sorgen Sie für eine gute Beleuchtung des Arbeitsbereiches. Benutzen Sie das Gerät nicht an Orten, wo Feuergefahr oder Explosionsgefahr besteht, z.B. in der Nähe von brennbaren Flüssigkeiten oder Gasen.

Halten Sie Kinder fern!

Halten Sie Kinder, Besucher und Tiere dem Arbeitsbereich fern und sorgen Sie dafür, daß sie das Gerät nicht berühren.

Tragen Sie geeignete Arbeitskleidung!

Tragen Sie keine weite Kleidung oder Schmuck, da diese von sich bewegenden Teilen erfaßt werden können. Beim Arbeiten im Freien sind Arbeitshandschuhe und rutschfestes Schuhwerk empfehlenswert. Tragen Sie bei langen Haaren ein Haarnetz.

Schutzmaßnahmen

Verwenden Sie immer eine Schutzbrille. Tragen Sie eine Atemschutzmaske, falls die Arbeiten Staub oder Späne erzeugen können. Tragen Sie bei einem hohen oder unangenehmen Schallpegel immer einen Gehörschutz.

Achten Sie auf einen sicheren Stand!

Achten Sie auf einen sicheren Stand, um in jeder Arbeitsposition das Gleichgewicht zu halten.

Seien Sie stets aufmerksam!

Konzentrieren Sie sich auf Ihre Arbeit. Gehen Sie vernünftig vor. Verwenden Sie das Gerät nicht, wenn Sie müde sind.

Sichern Sie das Werkstück!

Benutzen Sie Spannvorrichtungen oder einen Schraubstock, um das Werkstück festzuhalten. Es ist damit sicherer gehalten und ermöglicht die Bedienung des Gerätes mit beiden Händen.

Schließen Sie Vorrichtungen zur Staubabsaugung an!

Falls Vorrichtungen zur Absaugung oder zum Sammeln von Staub an das Gerät angeschlossen werden können, vergewissern Sie sich, daß diese angeschlossen sind und ordnungsgemäß verwendet werden.

Lassen Sie keine Schlüssel stecken!

Überprüfen Sie vor dem Einschalten, ob die Schlüssel und Einstellwerkzeuge entfernt sind.

Benutzen Sie das richtige Gerät!

Die bestimmungsgemäße Verwendung ist in dieser Betriebsanleitung beschrieben. Verwenden Sie keine zu schwachen Geräte oder Zubehörteile für schwere Arbeiten. Mit dem richtigen Gerät erzielen Sie eine optimale Qualität und gewährleisten Ihre persönliche Sicherheit. Überlasten Sie das Gerät nicht.

Warnung! Das Verwenden anderer als der in dieser Anleitung empfohlenen Vorsatzgeräte und Zubehörteile oder die Ausführung von Arbeiten mit diesem Gerät, die nicht der bestimmungsgemäßen Verwendung entsprechen, kann zu Unfallgefahren führen.

Kontrollieren Sie Ihr Gerät auf Beschädigungen!

Überprüfen Sie das Gerät vor der Arbeit auf Beschädigungen. Überprüfen Sie, ob alle beweglichen Teile richtig montiert sind, ob keine Teile gebrochen sind, ob keine Schutzvorrichtungen und Schalter beschädigt sind, und ob irgendwelche andere Schäden den einwandfreien Betrieb des Gerätes beeinträchtigen könnten. Vergewissern Sie sich, daß das Gerät ordnungsgemäß funktionieren wird. Benutzen Sie das Gerät nicht, wenn irgendein Teil defekt ist. Verwenden Sie das Gerät nicht, wenn der Ein-/Aus-Schalter nicht funktioniert. Lassen Sie defekte Teile immer von einer unserer Kundendienstwerkstätten reparieren oder austauschen. Versuchen Sie nie, das Gerät selber zu reparieren.

Entfernen Sie den Akku:

Entfernen Sie, falls möglich, den Akku, wenn Sie das Gerät nicht benutzen, bevor Sie irgendwelche Werkzeuge, Zubehörteile oder Geräteteile auswechseln und bevor Sie irgendwelche Wartungsarbeiten vornehmen.

Vermeiden Sie ein unbeabsichtigtes Einschalten!

Tragen Sie das Gerät nicht mit dem Finger am Ein-/Aus-Schalter. Vergewissern Sie sich, daß das Gerät ausgeschaltet ist, wenn Sie den Akku anbringen.

Behandeln Sie das Kabel sorgfältig!

Tragen Sie das Ladegerät nicht am Kabel und benutzen Sie das Kabel nicht, um den Stecker aus der Steckdose zu ziehen. Schützen Sie das Kabel vor Hitze, Öl und scharfen Kanten.

Bewahren Sie Ihre Geräte sicher auf!

Unbenutzte Geräte, Ladegeräte und Akkus sind an einem trockenen, für Kinder nicht erreichbaren Ort aufzubewahren.

Pflegen Sie Ihre Geräte mit Sorgfalt!

Halten Sie Schneidwerkzeuge scharf und sauber, um gut und sicher arbeiten zu können. Befolgen Sie die Wartungsvorschriften und die Hinweise für den Werkzeugwechsel. Halten Sie Handgriffe und Schalter trocken, sauber und frei von Öl und Fett.

Reparaturen:

Dieses Gerät entspricht den einschlägigen Sicherheitsvorschriften. Reparaturen sind nur von autorisierten Fachkräften und mit Original-Ersatzteilen vorzunehmen; andernfalls kann Unfallgefahr für den Betreiber entstehen.

- ◆ Fassen Sie nicht mit den Fingern oder irgendwelchen Gegenständen in das Ladegerät.



Nicht für die Verwendung im Freien zugelassen!

Zusätzliche Sicherheitshinweise für Akkus und Ladegeräte

Akkus

- ◆ Versuchen Sie auf keinen Fall, einen Akku zu öffnen.
- ◆ Setzen Sie den Akku keiner Nässe aus.
- ◆ Lagern Sie den Akku nicht an einem Ort, wo die Temperatur 40 °C erreichen kann.
- ◆ Laden Sie den Akku nur bei einer Umgebungstemperatur zwischen 4 °C und 40 °C.
- ◆ Laden Sie den Akku nur mit dem im Lieferumfang enthaltenen Ladegerät (siehe technische Daten).
- ◆ Vergewissern Sie sich vor dem Laden, daß der Akku trocken und sauber ist.
- ◆ Verwenden Sie den korrekten Akkutyp für das jeweilige Gerät (siehe technische Daten).
- ◆ Befolgen Sie bei der Entsorgung von Akkus die Anweisungen im Abschnitt "Umweltschutz".
- ◆ Unter extremen Einsatzbedingungen kann Akkuflüssigkeit aus dem Akku austreten. Wenn sich Flüssigkeit auf dem Akku befindet, gehen Sie folgendermaßen vor:
 - Wischen Sie die Flüssigkeit mit Hilfe eines Tuches vorsichtig vom Akku. Vermeiden Sie eine Berührung mit der Haut.
 - Falls die Flüssigkeit doch mit der Haut oder den Augen in Berührung kommen sollte, befolgen Sie die folgenden Hinweise.

Warnung! Die Akkuflüssigkeit, eine 25 bis 30% starke Kaliumhydroxidlösung, kann schädlich sein. Falls die Lösung mit der Haut in Berührung kommt, spülen Sie sofort mit reichlich Wasser. Neutralisieren Sie die Lösung mit einer milden Säure wie Zitronensaft oder Essig. Falls die Lösung mit den Augen in Berührung kommt, spülen Sie mindestens 10 Minuten lang mit reichlich klarem Wasser. Wenden Sie sich an einen Arzt.

- ◆ Verbrennen Sie den Akku nicht!
- ◆ Versuchen Sie nie, einen beschädigten Akku zu laden!

Ladegeräte

- ◆ Verwenden Sie Ihr Black & Decker Ladegerät nur zum Laden von Akkus vom im Lieferumfang enthaltenen Typ. Andere Akkus könnten platzen und Sach- und Personenschäden verursachen.
- ◆ Versuchen Sie nie, nichtwiederaufladbare Batterien zu laden.
- ◆ Lassen Sie ein beschädigtes Kabel sofort austauschen.
- ◆ Setzen Sie das Ladegerät keiner Nässe aus.
- ◆ Öffnen Sie das Ladegerät nicht.

Elektrische Sicherheit



Ihr Ladegerät ist doppelt isoliert; eine Erdleitung ist somit nicht erforderlich. Überprüfen Sie, ob die Netzspannung der auf dem Typenschild des Ladegerätes angegebenen Spannung entspricht. Tauschen Sie das Ladegerät auf keinen Fall gegen einen Netzstecker aus.

Schilder auf dem Gerät

Es befinden sich folgende Bildzeichen auf dem Gerät:



Achtung! Um die Verletzungsgefahr zu verringern, muß der Benutzer die Bedienungsanleitung lesen.



Schalten Sie das Gerät aus. Bevor Sie irgendwelche Wartungsarbeiten vornehmen, entfernen Sie den Akku vom Gerät.

Zusätzliche Sicherheitshinweise für Gebläse

Achtung! Richten Sie das Gerät im eingeschalteten Zustand nicht auf Personen oder Tiere.



Tragen Sie bei der Verwendung dieses Geräts eine Schutzbrille!

- ◆ Tragen Sie einen Gesichtsschutz bzw. eine Staubmaske, wenn der Einsatz in einer staubigen Umgebung stattfindet.
- ◆ Setzen Sie das Gerät keinem Regen oder hoher Feuchtigkeit aus.
- ◆ Halten Sie die Auslaßrohre während des Betriebes nicht in die Nähe der Augen oder Ohren.
- ◆ Überqueren Sie keine Kieselwege und halten Sie das Gerät im eingeschalteten Zustand nicht auf Kiesel.
- ◆ Halten Sie keine Gegenstände in die Öffnungen oder beweglichen Teile.
- ◆ Vor dem Entfernen des Blasrohrs schalten Sie das Gerät stets aus, entfernen Sie den Akku und lassen Sie das Gerät bis zum Stillstand auslaufen.
- ◆ Lesen Sie diese Anleitung sorgfältig durch. Machen Sie sich mit den Bedienungselementen und dem richtigen Gebrauch des Geräts vertraut.
- ◆ Untersagen Sie Kindern sowie Personen, die sich mit dem Inhalt dieser Anleitung nicht auskennen, die Verwendung dieses Geräts. Die regionale Gesetzgebung sieht möglicherweise eine Mindestaltersbeschränkung vor.

- ◆ Verwenden Sie das Gerät niemals, wenn sich Personen, insbesondere Kinder oder Tiere, in der Nähe aufhalten.
- ◆ Denken Sie daran, daß der Benutzer für Unfälle und Schäden haftet.

Vorbereitung

- ◆ Betreiben Sie das Gerät niemals barfuß oder in offenen Sandalen.
- ◆ Zum Schutz Ihrer Füße und Beine tragen Sie stets festes Schuhwerk oder Stiefel und lange Hosen - frisch gemähter Rasen ist feucht und rutschig. Gummistiefel bzw. festes Schuhwerk erhöhen Ihre Sicherheit.

Achtung! Verwenden Sie das Gerät nur in der Art und Weise, für die es konstruiert wurde.

Übersicht

1. Ein-/Aus-Schalter
2. Handgriff
3. Blasrohr
4. Akku

Abb. A

5. Ladegerät
6. Ladeanzeige
7. Statusanzeige

Montage

Achtung! Nehmen Sie vor der Montage den Akku vom Gerät.

Anbringen und Entfernen des Akkus (Abb. B)

- ◆ Um den Akku (4) anzubringen, richten Sie ihn mit der Aufnahme am Gerät aus. Schieben Sie den Akku in die Aufnahme und drücken Sie, bis er einrastet.
- ◆ Um den Akku zu entfernen, drücken Sie den Löseknopf (7) und ziehen Sie gleichzeitig den Akku aus der Aufnahme heraus.

Verbinden des Blasrohrs (Abb. C)

Das Blasrohr muß vor der Verwendung an der Gebläse-Halbschale angebracht werden.

- ◆ Richten Sie die Kreise (8) an der Halbschale (9) und dem Rohr (3) aus.
- ◆ Schieben Sie das Rohr fest auf die Halbschale, bis die Kreise in ihrer Lage einrasten.
- ◆ Zur Aufbewahrung kann das Blasrohr von der Gebläse-Halbschale abgenommen werden, indem die Kreise auf jeder Seite gedrückt werden und das Rohr sanft abgezogen wird.

Gebrauch

Achtung! Beschleunigen Sie den Arbeitsvorgang nicht mit Gewalt. Vermeiden Sie eine Überlastung des Gerätes.

- ◆ Um den Akku (4) zu laden, entfernen Sie ihn vom Gerät und stecken ihn in das Ladegerät (5). Der Akku läßt sich nur in einer Stellung in das Ladegerät einführen. Wenden Sie keine Gewalt an. Vergewissern Sie sich, daß der Akku vollständig in das Ladegerät eingeführt ist.
- ◆ Stecken Sie den Netzstecker des Ladegerätes in die Steckdose.

8-Stunden-Ladegerät

Der Akku ist in zirka 8 Stunden vollständig aufgeladen. Er kann jederzeit aus dem Ladegerät entfernt oder für eine unbegrenzte Zeit im angeschlossenen Ladegerät belassen werden.

1-Stunden-Ladegerät

- ◆ Überprüfen Sie, ob die rote Ladeanzeige (6) aufleuchtet. Falls stattdessen die grüne Anzeige für das Ende des Ladevorgangs (7) aufleuchtet, ist der Akku zu heiß zum Laden. Ist dies der Fall, nehmen Sie den Akku aus dem Ladegerät, lassen ihn ca. eine Stunde lang abkühlen und setzen ihn dann wieder in das Ladegerät ein.

Nach dem ca. einstündigen Ladevorgang erlischt die rote Ladeanzeige und es leuchtet die grüne Anzeige für das Ende des Ladevorgangs auf. Der Akku ist nun vollständig geladen.

- ◆ Entfernen Sie den Akku vom Ladegerät.

Ein- und Ausschalten

- ◆ Um das Werkzeug einzuschalten, drücken Sie auf den Ein-/Ausschalter (1).
- ◆ Zum Ausschalten des Werkzeugs lassen Sie den Ein-/Ausschalter los.

Hinweise für optimale Arbeitsergebnisse

- ◆ Halten Sie das Blasrohr beim Betrieb des Geräts zirka 180 mm über den Boden.
- ◆ Führen Sie eine Fegebewegung von einer Seite zur anderen aus. Fahren Sie langsam fort und halten Sie den angesammelten Unrat/das Laub vor sich (Abb. D).
- ◆ Nach dem Blasen des Unrats/Laubs auf einen Haufen ist es leicht, den Haufen zu entsorgen.

Reinigung des Geräts

Reinigen Sie das Gerät regelmäßig.

Achtung! Halten Sie das Gerät trocken. Besprühen Sie es unter keinen Umständen mit Wasser.

- ◆ Verwenden Sie zur Reinigung des Geräts nur milde Seifenlösung und ein feuchtes Tuch.

Achtung! Verwenden Sie keine Reinigungs- oder Lösungsmittel, die Chemikalien enthalten können, die den Kunststoff angreifen können.

- ◆ In Ihrem Produkt werden selbstschmierende Lager verwendet, so daß eine Schmierung nicht erforderlich ist.

Umweltschutz



Getrennte Entsorgung. Dieses Produkt darf nicht über den normalen Hausmüll entsorgt werden.

Sollte Ihr Black & Decker Produkt eines Tages erneuert werden müssen, oder falls Sie es nicht weiter verwenden wollen, so darf es nicht über den Hausmüll entsorgt werden. Stellen Sie dieses Produkt zur getrennten Entsorgung bereit.



Durch die getrennte Entsorgung gebrauchter Produkte und Verpackungen können die Materialien recycelt und wiederverwertet werden. Die Wiederverwertung recycelter Materialien schont die Umwelt und verringert die Nachfrage nach Rohstoffen.

Die regionalen Bestimmungen schreiben unter Umständen die getrennte Entsorgung elektrischer Produkte aus dem Haushalt an Sammelstellen oder seitens des Händlers vor, bei dem Sie das neue Produkt erworben haben.

Black & Decker nimmt Ihre ausgedienten Black & Decker Geräte gern zurück und sorgt für eine umweltfreundliche Entsorgung und Wiederverwertung. Um diesen Dienst zu nutzen, schicken Sie bitte Ihr Produkt zu einer Vertragswerkstatt. Hier wird es dann auf unsere Kosten gesammelt.

Die Adresse der zuständigen Black & Decker Vertretung steht in diesem Handbuch, darüber läßt sich die nächstgelegene Vertragswerkstatt ermitteln. Außerdem ist eine Liste der Vertragswerkstätten und aller Kundendienststellen von Black & Decker sowie der zuständigen Ansprechpartner im Internet zu finden unter: www.2helpU.com

Akkus



Black & Decker Akkus lassen sich viele Male wiederaufladen. Entsorgen Sie eine leere Batterie am Ende ihrer Lebensdauer auf umweltgerechte Weise:

- ◆ Entladen Sie die Batterie vollständig, und entfernen Sie sie anschließend aus dem Werkzeug.
- ◆ NiCd-, NiMH- und Li-Ion-Akkus sind wiederverwertbar. Bringen Sie sie zu einer Vertragswerkstatt oder einer Recycling-Station in Ihrer Nähe.

Technische Daten

		GW180/ GW180NM	GW180P
Spannung	V _{DC}	18	18
Gewicht (ohne Akku)	kg	2,2	2,2

Akku

Spannung	V _{DC}	18	18
Kapazität	Ah	1,5	1,7
Gewicht	kg	0,8	0,8

Ladegerät

Spannung	V _{AC}	230	230
Ladezeit (zirka)	Std.	8	8
Gewicht	kg	0,4	0,4

EG-Konformitätserklärung

GW180/GW180NM/GW180P

Black & Decker erklärt, daß diese Produkte folgende Konformität erfüllen:

98/37/EG, 2006/95/EG, EN 50260, EN 61000, EN 60335
2000/14/EG, Laubgebläse, 2,0 m³, Anhang V

Höhe des Schalldrucks, gemessen nach 2000/14/EG:

L_{PA} (Schalldruck) 74 dB(A), Unsicherheitsfaktor (K) 3 dB(A),
L_{WA} (Schalleistung) 88 dB(A), Unsicherheitsfaktor (K) 3 dB(A),
L_{WA} (garantiert) 90 dB(A), Unsicherheitsfaktor (K) 3 dB(A)

Gewichteter Hand-/Arm-Vibrationswert nach
EN 60745 Annex K: 2,5 m/s²

Der Unterzeichnete ist für die Zusammenstellung der technischen Datei verantwortlich und gibt diese Erklärung im Namen von Black & Decker ab.

Kevin Hewitt
Director of Consumer Engineering
Spennymoor, County Durham DL16 6JG,
Vereinigtes Königreich
1-7-2008

Garantie

Black & Decker vertraut auf die Qualität der eigenen Geräte und bietet dem Käufer eine außergewöhnliche Garantie.

Diese Garantiezusage versteht sich unbeschadet der gesetzlichen Gewährleistungsansprüche und schränkt diese keinesfalls ein. Sie gilt in sämtlichen Mitgliedsstaaten der Europäischen Union und der Europäischen Freihandelszone EFTA.

Tritt innerhalb von 24 Monaten ab Kaufdatum an einem Gerät von Black & Decker ein auf Material- oder Verarbeitungsfehler zurückzuführender Mangel auf, garantiert Black & Decker den Austausch defekter Teile, die Reparatur von Geräten mit üblichem Verschleiß bzw. den Austausch eines mangelhaften Geräts, ohne den Kunden dabei mehr als unbedingt nötig in Anspruch zu nehmen, allerdings vorbehaltlich folgender Ausnahmen:

- ◆ wenn das Gerät gewerblich, beruflich oder im Verleihgeschäft benutzt wurde;
- ◆ wenn das Gerät mißbräuchlich verwendet oder mit mangelnder Sorgfalt behandelt wurde;
- ◆ wenn das Gerät durch irgendwelche Fremdeinwirkung beschädigt wurde;
- ◆ wenn ein unbefugter Reparaturversuch durch anderes Personal als das einer Vertragswerkstatt oder des Black & Decker-Kundendienstes unternommen wurde.

Zur Inanspruchnahme dieser Garantie ist dem Verkäufer bzw. der Vertragswerkstatt ein Kaufnachweis vorzulegen.

Der Kaufnachweis muß Kaufdatum und Gerätetyp bescheinigen. Die Adresse des zuständigen Büros von Black & Decker steht in dieser Anleitung, darüber läßt sich die nächstgelegene Vertragswerkstatt ermitteln. Außerdem ist eine Liste der Vertragswerkstätten und aller Kundendienststellen von Black & Decker sowie der zuständigen Ansprechpartner im Internet zu finden unter: www.2helpU.com

Bitte besuchen Sie unsere Webseite www.blackanddecker.de, um Ihr neues Black & Decker Produkt zu registrieren und über neue Produkte und Sonderangebote aktuell informiert zu werden. Weitere Informationen über die Marke Black & Decker und unsere Produkte finden Sie unter www.blackanddecker.de

Utilisation prévue

Votre souffleur sans fil de Black & Decker a été conçu pour souffler les feuilles et les débris. Cet appareil a été conçu uniquement pour une utilisation domestique en extérieur.

Votre chargeur Black & Decker a été conçu pour le chargement de batteries Black & Decker identiques à celles fournies avec cet outil.

Instructions de sécurité

- ◆ **Attention!** Lors de l'utilisation d'outils sans fil, observez les consignes de sécurité fondamentales, y compris celles qui suivent afin de réduire les risques d'incendie, de fuite de batteries, de blessures et de dommage matériel.
- ◆ Lisez et observez attentivement les instructions avant d'utiliser l'outil.
- ◆ Conservez ces instructions.

Tenez votre aire de travail propre et bien rangée

Le désordre augmente les risques d'accident.

Tenez compte des conditions ambiantes

N'exposez pas l'outil à la pluie. N'exposez pas l'outil à l'humidité. Veillez à ce que l'aire de travail soit bien éclairée. N'utilisez pas l'outil s'il existe un risque d'incendie ou d'explosion, par exemple en présence de liquides ou de gaz inflammables.

Tenez les enfants éloignés

Ne laissez pas les enfants, les visiteurs ou les animaux s'approcher de l'aire de travail ou toucher l'outil.

Portez des vêtements de travail appropriés

Ne pas porter de vêtements flottants ou de bijoux. Ils pourraient être happés par les pièces en mouvement. Lors de travaux à l'extérieur, il est recommandé de porter des gants en caoutchouc et des chaussures à semelle anti-dérapante. Le cas échéant, attachez vos cheveux s'ils sont longs, ou couvrez vous la tête.

Protection

Portez toujours des lunettes de protection. Portez des lunettes de protection et un masque pour protéger le visage si le travail exécuté produit de la poussière ou des copeaux volants.

Portez des protections auditives lorsque le niveau sonore semble gênant.

Adoptez une position confortable

Toujours tenir les deux pieds à terre et garder l'équilibre.

Faites preuve de vigilance

Observez votre travail. Faites preuve de bon sens. Ne pas employer l'outil en cas de fatigue.

Fixez bien la pièce à travailler

Pour plus de sécurité, fixez la pièce à travailler avec un dispositif de serrage ou un étau. Ainsi, vous aurez les deux mains libres pour manier l'outil.

Branchez le dispositif d'extraction de poussière.

Si vous disposez de systèmes pour brancher les dispositifs d'extraction et de ramassage de poussière, assurez-vous

qu'ils sont bien branchés et qu'ils fonctionnent correctement.

Enlevez les clés et outils de réglage

Avant de mettre l'outil en marche, retirez les clés et outils de réglage.

Utilisez l'outil adéquat

Le domaine d'utilisation de l'outil est décrit dans le présent manuel. Ne pas utiliser d'outils ou d'accessoires de trop faible puissance pour exécuter des travaux lourds. L'utilisation d'accessoires autres que ceux recommandés dans le présent manuel pourrait entraîner un risque de blessure. Ne forcez pas l'outil.

Attention! L'utilisation d'accessoires autres que ceux recommandés dans le présent manuel pourrait entraîner un risque de blessure.

Contrôlez les dommages éventuels de votre outil

Avant d'utiliser l'outil, vérifiez soigneusement qu'il n'est pas endommagé. Vérifiez l'alignement des pièces en mouvement, leur prise et toute rupture de pièces, tout dommage des protections et des interrupteurs et toute autre condition pouvant affecter le fonctionnement de l'outil. Veillez à ce que l'outil fonctionne correctement et qu'il exécute les tâches pour lesquelles il est prévu. N'utilisez pas l'outil si une pièce est défectueuse. Ne pas utiliser l'outil si l'interrupteur marche/arrêt ne fonctionne pas. Faites réparer ou échangez toute pièce endommagée par un service de réparation agréé. Ne tentez jamais de le réparer vous-même.

Enlevez la batterie

Le cas échéant, enlevez la batterie lorsque l'outil n'est pas utilisé, avant de changer toute pièce de l'outil ou tout accessoire et avant de procéder à l'entretien.

Évitez tout démarrage involontaire

Ne portez pas l'outil avec un doigt sur l'interrupteur marche/arrêt. Veillez à ce que l'outil soit débranché lorsque vous y insérez la pile.

Ne tirez pas sur le câble d'alimentation

Ne portez jamais le chargeur par le câble et ne tirez pas sur celui-ci pour le débrancher de la prise. Préservez le câble de la chaleur, de l'huile et des arêtes tranchantes.

Rangez vos outils dans un endroit sûr

Rangez les outils, batteries et chargeurs non utilisés dans un endroit sec, élevé et fermé, hors de portée des enfants.

Entretenez vos outils avec soin

Maintenez vos outils affûtés et propres afin de travailler mieux et plus sûrement. Suivez les instructions d'entretien et de changement d'accessoires. Maintenez les poignées et les interrupteurs secs, propres et exempts d'huile et de graisse.

Réparations

Cet outil est conforme aux conditions de sécurité requises. Les réparations devront uniquement être effectuées par des personnes qualifiées utilisant des pièces de rechange d'origine ; en cas contraire, cela pourrait être très dangereux pour l'utilisateur.

Instructions de sécurité supplémentaires pour les batteries et chargeurs

Batteries

- ◆ Ne tentez jamais de l'ouvrir pour quelque raison que ce soit.
- ◆ Ne la mettez pas en contact avec de l'eau.
- ◆ Ne la stockez pas à un endroit où la température peut être supérieure à 40 °C.
- ◆ Chargez uniquement à température ambiante entre 4 °C et 40 °C.
- ◆ Chargez uniquement en utilisant le chargeur fourni avec l'outil (voir caractéristiques techniques).
- ◆ Avant le chargement, veillez à ce que la batterie soit sèche et propre.
- ◆ Utilisez uniquement le type de batterie approprié à l'outil (voir caractéristiques techniques).
- ◆ Lorsque vous jetez des batteries, suivez les instructions données à la section "Protection de l'environnement".
- ◆ Dans des conditions extrêmes, la batterie peut fuir. Si vous remarquez que la batterie a coulé, procédez comme suit:
 - Nettoyez soigneusement le liquide à l'aide d'un chiffon. Évitez le contact avec la peau.
 - En cas de contact avec la peau ou les yeux, suivez les instructions ci-dessous.

Attention! Le liquide de la batterie, une solution d'hydroxyde de potassium à 25-30%, est toxique. En cas de contact avec la peau, rincer abondamment à l'eau. Neutraliser avec un acide doux tel que du citron ou du vinaigre. En cas de contact avec les yeux, rincer abondamment à l'eau au moins pendant 10 minutes. Consulter un médecin.

- ◆ Ne pas incinérer la batterie.
- ◆ Ne pas charger une batterie endommagée.

Chargeurs

- ◆ Utilisez uniquement votre chargeur Black & Decker pour charger les batteries fournies avec votre outil ou de même type et modèle. D'autres batteries pourraient exploser et causer des dommages ou blessures.
- ◆ Ne tentez jamais de charger des batteries non-rechargeables.
- ◆ Remplacez immédiatement les fils électriques défectueux.
- ◆ Ne mettez pas le chargeur en contact avec de l'eau.
- ◆ N'ouvrez pas le chargeur.
- ◆ Ne testez pas le chargeur.



Conçu pour une utilisation à l'intérieur uniquement.

Sécurité électrique



Ce chargeur a une double isolation; un branchement à la terre n'est donc pas nécessaire. Vérifiez si la

tension du chargeur correspond à la tension secteur. Ne tentez jamais de remplacer le chargeur par une prise au secteur normale.

Étiquettes apposées sur l'outil

Les pictogrammes suivants sont présents sur l'outil :



Attention ! Afin de réduire les risques de blessures, l'utilisateur doit lire le manuel d'instructions.



Éteignez l'outil. Avant de procéder à tout entretien de l'outil, retirez la batterie.

Instructions de sécurité supplémentaires pour souffleurs

Attention ! Ne pointez pas l'outil sur des personnes ou des animaux lorsqu'il est allumé.



Portez des lunettes de sécurité lorsque vous utilisez cet outil.

- ◆ Portez des lunettes ou un masque de protection si vous utilisez cet appareil dans un environnement poussiéreux.
- ◆ N'exposez pas l'outil à la pluie ou à l'humidité.
- ◆ Ne placez pas l'orifice des tubes à proximité des yeux ou des oreilles pendant le fonctionnement.
- ◆ Ne traversez pas de chemins en gravier et ne placez pas l'outil sur le gravier lorsqu'il est allumé.
- ◆ Ne placez pas d'objets dans les orifices et les pièces mobiles.
- ◆ Avant de démonter le tube de soufflage, éteignez toujours l'outil, démontez la batterie et laissez l'outil ralentir.
- ◆ Prenez soin de lire attentivement les instructions. Familiarisez-vous avec les commandes et l'utilisation de cet appareil.
- ◆ Ne laissez jamais aucun enfant ou aucune personne non familiarisée avec ces instructions utiliser cet appareil. Les réglementations locales peuvent limiter l'âge de l'utilisateur.
- ◆ N'utilisez pas l'appareil à proximité d'autres personnes, spécialement d'enfants ou d'animaux domestiques.
- ◆ Souvenez-vous que l'utilisateur peut être tenu responsable de tout accident ou dommage subi par des tiers ou par des biens appartenant à des tiers.

Préparation

- ◆ N'utilisez pas l'outil pied nus ou en ne portant que des sandales.
- ◆ Pour protéger mains et jambes, portez toujours des chaussures ou des bottes de sécurité et un pantalon long - l'herbe fraîchement coupée est humide et glissante. Des protections en caoutchouc vous permettront d'accroître votre sécurité.

Attention ! N'utilisez cet outil que pour l'application pour laquelle il a été fabriqué.

Généralités

1. Interrupteur marche/arrêt
2. Poignée
3. Tuyau souffleur
4. Batterie

Fig. A

5. Chargeur
6. Voyant de charge
7. Voyant de fin de charge

Assemblage

Attention ! Avant l'assemblage, enlevez la batterie.

Mise en place et retrait de la batterie (fig. B)

- ◆ Pour mettre la batterie en place (4), alignez-la avec le boîtier sur l'outil. Faites glisser la batterie dans le boîtier et poussez jusqu'à ce qu'elle se mette en place avec un bruit sec.
- ◆ Pour retirer la batterie, appuyez sur le bouton de déverrouillage (7) tout en retirant la batterie du boîtier.

Montage du tube de soufflage (fig. C)

Le tube souffleur doit être monté sur la bague de soufflage avant utilisation.

- ◆ Alignez les cercles (8) de la bague (9) et le tube (3).
- ◆ Enfoncez fermement le tube sur la bague jusqu'à ce que les cercles s'emboîtent bien.
- ◆ Lorsque vous rangez l'appareil, vous pouvez démonter le tube souffleur de la bague en appuyant sur les cercles de chaque côté et en les faisant doucement glisser du tube.

Utilisation

Attention ! Laissez l'outil fonctionner à sa propre vitesse.

Ne le surchargez pas.

- ◆ Pour charger la batterie (4), retirez-la de l'outil et insérez-la dans le chargeur (5). La batterie ne rentrera dans le chargeur que d'une seule façon. Ne forcez pas. Assurez-vous que la batterie est complètement enclenchée dans le chargeur.
- ◆ Branchez le chargeur.

Chargeur de 8 heures

La batterie sera complètement chargée en 8 heures environ. Elle peut être enlevée à tout moment ou rester dans le chargeur connectée indéfiniment.

Chargeur de 1 heures

- ◆ Vérifiez si le voyant rouge de charge (6) s'allume. Si au lieu du voyant rouge c'est le voyant vert indicateur de fin de charge (7) qui s'allume, la batterie est trop chaude et ne peut être chargée. Si cela se produit, enlevez la batterie du chargeur, laissez-la refroidir pendant 1 heure environ et réinsérez-la.

Après environ 1 heure de charge, le voyant rouge de charge s'éteindra et le voyant vert indicateur de fin de charge s'allumera. La batterie sera alors complètement chargée.

- ◆ Enlevez-la du chargeur.

Démarrage et arrêt

- ◆ Pour allumer l'outil, appuyez sur l'interrupteur marche/arrêt (1).
- ◆ Pour éteindre l'outil, relâchez le bouton marche/arrêt.

Conseils pour une utilisation optimale

- ◆ Tenez le tube à environ 180 mm. au-dessus du sol lorsque vous faites fonctionner l'outil.
- ◆ Faites un mouvement de balayage latéral. Avancez lentement en gardant les débris/feuilles accumulés devant vous (fig. D).
- ◆ Après avoir soufflé les débris/feuilles en tas, il est facile de se débarrasser du tas.

Nettoyer l'outil

Nettoyer l'outil régulièrement.

Attention ! Veillez à ce que votre produit soit toujours sec. Ne le vaporisez jamais d'eau.

- ◆ Pour nettoyer l'outil, utilisez uniquement un détergent doux et un chiffon humide.

Attention ! N'utilisez aucun type de détergent, de nettoyant ou de solvant qui pourrait contenir des produits chimiques susceptibles d'attaquer le plastique.

- ◆ Des roulements à lubrification automatique sont utilisés dans votre produit, par conséquent aucune lubrification n'est nécessaire.

Protection de l'environnement



Collecte séparée. Ce produit ne doit pas être jeté avec les déchets domestiques normaux.

Si vous décidez de remplacer ce produit Black & Decker, ou si vous n'en avez plus l'utilité, ne le jetez pas avec vos déchets domestiques. Rendez-le disponible pour une collecte séparée.



La collecte séparée des produits et emballages usés permet le recyclage des articles afin de les utiliser à nouveau. Le fait d'utiliser à nouveau des produits recyclés permet d'éviter la pollution environnementale et de réduire la demande de matières premières.

Les réglementations locales peuvent permettre la collecte séparée des produits électriques du foyer, dans des déchetteries municipales ou auprès du revendeur vous ayant vendu votre nouveau produit.

Black & Decker fournit un dispositif permettant de collecter et de recycler les produits Black & Decker lorsqu'ils ont atteint la fin de leur cycle de vie. Pour pouvoir profiter de ce service, veuillez retourner votre produit à un réparateur agréé qui se chargera de le collecter pour nous.

Pour connaître l'adresse du réparateur agréé le plus proche de chez vous, contactez le bureau Black & Decker à l'adresse indiquée dans ce manuel. Vous pourrez aussi trouver une liste des réparateurs agréés de Black & Decker et de plus amples détails sur notre service après-vente sur le site Internet à l'adresse suivante : www.2helpU.com

Packs-batteries



Les batteries Black & Decker peuvent être rechargées de nombreuses fois. A la fin de leur durée de vie technique, jetez les batteries en respectant l'environnement :

- ◆ Videz complètement la batterie, puis retirez-la de l'outil.
- ◆ Les batteries NiCd, NiMH et Li-Ion sont recyclables. Apportez-les à votre réparateur agréé ou à un centre de recyclage local.

Caractéristiques techniques

		GW180/ GW180NM	GW180P
Voltage	V _{DC}	18	18
Poids (sans batterie)	kg	2,2	2,2

Batterie

Voltage	V _{DC}	18	18
Amperage	Ah	1,5	1,7
Poids	kg	0,8	0,8

Chargeur

Tension	V _{AC}	230	230
Temps de chargement approx.	h	8	8
Poids	kg	0,4	0,4

Déclaration de conformité CE

GW180/GW180NM/GW180P

Black & Decker déclare que ces produits sont conformes à : 98/37/CE, 2006/95/CE, EN 50260, EN 61000, EN 60335 2000/14/CE, Souffleur de feuilles, 2,0 m³, Annexe V

Niveau de pression acoustique, mesuré suivant la norme 2000/14/CE :

L_{pA} (pression sonore) 74 dB(A), incertitude (K) 3 dB(A),
L_{WA} (puissance acoustique) 88 dB(A), incertitude (K) 3 dB(A),
L_{WA} (garanti) 90 dB(A), incertitude (K) 3 dB(A)

Niveau de vibration main/bras selon la norme EN 60745 Annex K : 2,5 m/s²

Le soussigné est responsable de la compilation du fichier technique et effectue cette déclaration au nom de Black & Decker.

Kevin Hewitt
Directeur Ingénierie Client
Spennymoor, County Durham DL16 6JG,
Royaume Uni
1-7-2008

Garantie

Black & Decker est confiant dans la qualité de ses produits et vous offre une garantie très étendue. Ce certificat de garantie est un document supplémentaire et ne peut en aucun cas se substituer à vos droits légaux. La garantie est valable sur tout le territoire des Etats Membres de l'Union Européenne et de la Zone de Libre Echange Européenne.

Si un produit Black & Decker s'avère défectueux en raison de matériaux en mauvaises conditions, d'une erreur humaine, ou d'un manque de conformité dans les 24 mois suivant la date d'achat, Black & Decker garantit le remplacement des pièces défectueuses, la réparation des produits usés ou cassés ou remplace ces produits à la convenance du client, sauf dans les circonstances suivantes :

- ◆ Le produit a été utilisé dans un but commercial, professionnel, ou a été loué.
- ◆ Le produit a été mal utilisé ou avec négligence.
- ◆ Le produit a subi des dommages à cause d'objets étrangers, de substances ou à cause d'accidents.
- ◆ Des réparations ont été tentées par des techniciens ne faisant pas partie du service technique de Black & Decker.

Pour avoir recours à la garantie, il est nécessaire de fournir une preuve d'achat au vendeur ou à un réparateur agréé. Pour connaître l'adresse du réparateur agréé le plus proche de chez vous, contactez le bureau Black & Decker à l'adresse indiquée dans ce manuel. Vous pourrez aussi trouver une liste des réparateurs agréés de Black & Decker et de plus amples détails sur notre service après-vente sur le site Internet à l'adresse suivante : **www.2helpU.com**

Visitez notre site Web **www.blackanddecker.fr** pour enregistrer votre nouveau produit Black & Decker et être informé des nouveaux produits et des offres spéciales. Pour plus d'informations concernant la marque Black & Decker et notre gamme de produits, consultez notre site **www.blackanddecker.fr**

Uso previsto

Il soffiatore senza fili Black & Decker è stato progettato per soffiare via foglie e detriti ed è destinato esclusivamente al mercato dei prodotti di consumo ed all'uso esterno.

Il vostro caricabatteria Black & Decker è stato progettato per caricare batterie Black & Decker del tipo fornito con questo utensile.

Istruzioni di sicurezza

- ◆ **Attenzione!** Quando si adoperano utensili a batteria, per ridurre il rischio di incendi, fuoriuscita di liquido dalle batterie, danni personali e materiali, è necessario osservare alcune precauzioni di sicurezza fondamentali, incluso le seguenti.
- ◆ Prima di adoperare l'utensile, leggere attentamente le istruzioni di cui al presente manuale.
- ◆ Conservare questo manuale di istruzioni per successive consultazioni.

Tenere pulita l'area di lavoro

Ambienti e banchi di lavoro in disordine possono essere causa d'incidenti.

Tener presenti le caratteristiche dell'ambiente di lavoro

Non lasciare l'utensile sotto la pioggia. Non usare l'utensile in ambienti carichi di umidità. Tenere ben illuminata l'area di lavoro. Non usare l'utensile quando vi sia rischio di provocare un incendio o una esplosione, per es. in luoghi con atmosfera gassosa o infiammabile.

Tenere i bambini lontani dall'area di lavoro

Non permettere ai bambini, ad altre persone o ad animali di avvicinarsi alla zona di lavoro o di toccare l'utensile.

Usare il vestiario appropriato

Evitare l'uso di abiti svolazzanti, catenine, ecc. in quanto potrebbero rimanere impigliati nelle parti mobili dell'utensile. Lavorando all'aperto indossare guanti di gomma e scarpe con soles antiscivolo. Raccogliere i capelli se si portano lunghi.

Protezione personale

Indossate occhiali di sicurezza. Indossate una mascherina contro la polvere ogni volta che l'uso dell'utensile provochi polvere o schegge. Indossate cuffie acustiche quando considerate che il livello acustico sia troppo alto.

Non sbilanciarsi

Mantenere sempre un buon equilibrio evitando posizioni malsicure.

Stare sempre attenti

Prestare attenzione a quanto si sta facendo. Usare il proprio buon senso. Non utilizzare l'utensile quando si è stanchi.

Bloccare il pezzo da lavorare

Usare pinze o morse per bloccare il pezzo da lavorare. Ciò aumenta la sicurezza e consente di mantenere entrambe le mani libere per operare meglio.

Connettere l'apparecchiatura aspirapolvere

Se sono forniti i dispositivi per la connessione delle macchine per l'aspirazione e la raccolta della polvere, verificare che vengano collegate e utilizzate correttamente.

Non lasciare sull'utensile chiavi o strumenti di misura

Prima di mettere in funzione l'utensile abbiate cura di togliere chiavi e altri strumenti.

Adoperare l'utensile adatto alla situazione

L'utilizzo previsto è quello indicato nel presente manuale. Non forzare utensili e accessori di potenza limitata impiegandoli per lavori destinati ad utensili di maggiore potenza. Non forzare l'utensile.

Attenzione! L'uso di accessori o attrezzature diversi o l'impiego del presente utensile per scopi diversi da quelli indicati nel presente manuale d'uso comportano il rischio di infortuni.

Controllare che non vi siano parti danneggiate

Prima dell'uso, controllare che l'utensile non presenti danni. Controllare se ci sono parti non allineate o parti mobili con gioco, pezzi rotti, danni alle protezioni o agli interruttori e qualsiasi altra condizione che possa incidere sul funzionamento dell'utensile. Accertare che l'utensile funzioni come previsto e che venga impiegato per lo scopo per cui è stato progettato. Non usate l'utensile se presenta elementi danneggiati o difettosi. Non impiegare l'utensile se non è possibile accenderlo e spegnerlo mediante l'interruttore. Eventuali componenti difettosi o danneggiati vanno sostituiti o riparati da un tecnico autorizzato. Non tentare mai di effettuare delle riparazioni.

Estrarre la batteria

Togliere la batteria quando l'utensile non è in uso, o prima di cambiare pezzi, accessori o complementi o prima di eseguire lavori di manutenzione.

Evitate di avviare l'utensile quando non è necessario

Non portate l'utensile con il dito sull'interruttore. Assicuratevi che l'utensile sia spento quando inserite le batterie nell'utensile.

Non forzate il cavo di collegamento elettrico

Non usate il cavo elettrico del carica batterie per muoverlo e non tirate il cavo per scollegarlo dalla presa. Mantenete il cavo lontano da fonti di calore, olio e spigoli taglienti.

Conservazione dell'utensile dopo l'uso

Quando non è in uso, l'utensile, le batterie e i caricabatterie devono essere riposti in un luogo asciutto e fuori dalla portata dei bambini.

Mantenere l'utensile con cura

Mantenere gli utensili da taglio affilati e puliti in modo da ottenere una miglior e più sicura resa. Seguire le istruzioni di manutenzione e cambio di accessori. Mantenere le impugnature e gli interruttori asciutti, puliti e senza tracce di olio o grassi.

Riparazioni

Questo utensile è conforme ai relativi requisiti di sicurezza. Le riparazioni devono essere eseguite soltanto da personale qualificato e con pezzi di ricambio originali, per evitare di esporre gli utenti a considerevoli rischi.

Istruzioni di sicurezza aggiuntive per batterie e caricabatteria

Batterie

- ◆ Non tentate di aprirle in nessuna circostanza.
- ◆ Non fatele bagnare.
- ◆ Non riponetele in luoghi dove la temperatura possa oltrepassare i 40 °C.
- ◆ Caricatele solo ad una temperatura ambientale compresa tra i 4 °C ed i 40 °C.
- ◆ Caricate la batteria usando soltanto il caricabatteria fornito con l'utensile (vedete i dati tecnici).
- ◆ Prima di caricare la batteria assicuratevi che sia pulita ed asciutta.
- ◆ Usate soltanto il tipo adeguato di batteria per l'utensile (vedete i dati tecnici).
- ◆ Prima di gettare le batterie esaurite, vi preghiamo di leggere le istruzioni specificate nella sezione "Protezione dell'ambiente".
- ◆ In condizioni estreme, la batteria può perdere liquido. Nel caso doveste notare la presenza di liquido sulla batteria, procedere come di seguito specificato:
 - Asciugate il liquido con un panno. Evitate il contatto con la pelle.
 - In caso di contatto con la pelle o con gli occhi, seguite le istruzioni di seguito riportate.

Attenzione! Il liquido delle batterie, una soluzione al 25-30% di idrossido di potassio, può essere pericoloso. In caso di contatto con la pelle, lavare immediatamente con abbondante acqua, quindi neutralizzarne l'azione con una soluzione leggermente acida come succo di limone o aceto. In caso di contatto con gli occhi, risciacquare abbondantemente con acqua pulita per 10 minuti almeno. Rivolgersi a un medico.

- ◆ Non incenerire la batteria.
- ◆ Non caricate batterie danneggiate.

Caricabatteria

- ◆ Usate il vostro caricabatteria Black & Decker per caricare le batterie fornite con il vostro utensile. Altri tipi di batterie potrebbero esplodere, provocando danni personali e materiali.
- ◆ Non tentate mai di ricaricare una batteria non ricaricabile.
- ◆ Cambiate immediatamente i cavi difettosi.
- ◆ Fate attenzione a non bagnare il caricabatteria.
- ◆ Non aprite il caricabatteria.
- ◆ Non testate il caricabatteria.



Da usarsi soltanto in interni.

Sicurezza elettrica



Il caricatore è fornito di doppio isolamento, per la quale non è richiesta la messa a terra. Assicuratevi che la tensione del caricatore corrisponda a quella erogata dalla rete. Non cercate di rimpiazzare la carica batteria inserendo l'utensile in una presa di corrente.

Etichette sull'elettro utensile

Sull'elettro utensile sono presenti le seguenti immagini:



Attenzione! Per ridurre il rischio di lesioni, l'utente è tenuto a leggere il presente manuale di istruzioni.



Spegnere l'elettro utensile. Prima di eseguire qualsiasi tipo di manutenzione dell'elettro utensile, estrarre le batterie.

Ulteriori istruzioni di sicurezza per il soffiatore

Attenzione! Non rivolgere l'utensile acceso verso persone o animali.



Indossate sempre occhiali di protezione quando fate funzionare questo utensile.

- ◆ Fare uso di una mascherina antipolvere se il lavoro viene svolto in ambienti polverosi.
- ◆ Non esporre l'elettro utensile a pioggia o a condizioni di alta umidità.
- ◆ Durante l'uso, non collocare i tubi d'uscita in prossimità degli occhi o delle orecchie.
- ◆ Non percorrere percorsi in ghiaietto né collocare il soffiatore acceso su superfici in ghiaietto.
- ◆ Non introdurre alcun oggetto nelle fenditure e negli elementi mobili.
- ◆ Prima di staccare il tubo di soffiaggio, spegnere sempre l'utensile, estrarre la batteria e attendere che l'utensile si fermi.
- ◆ Leggere con attenzione le istruzioni. Familiarizzarsi con i comandi e l'uso corretto dell'apparecchio.
- ◆ Vietare l'uso dell'apparecchio ai bambini e agli adulti che non abbiano letto il presente manuale di istruzioni. Le normative locali possono prevedere dei limiti d'età per l'operatore.
- ◆ Non utilizzare mai l'apparecchio se nelle vicinanze ci sono persone - soprattutto bambini - o animali.
- ◆ Ricordare che l'operatore è responsabile di eventuali incidenti o rischi all'incolumità di altre persone e/o loro beni.

Preparazione

- ◆ Non azionare l'utensile se si indossano sandali aperti o a piedi scalzi.

- ◆ Per proteggervi i piedi e le gambe, indossare sempre calzature o stivali e pantaloni a gamba lunga; l'erba appena tagliata è umida e scivolosa. Per motivi di sicurezza sono da preferirsi le calzature in gomma o fatte a mano.

Attenzione! L'utensile va usato solo per la destinazione prevista.

Informazioni generali

1. Interruttore acceso/spento
2. Maniglia
3. Tubo di soffiaggio
4. Batteria

Fig. A

5. Caricabatteria
6. Indicatore di carica
7. Indicatore fine carica

Montaggio

Attenzione! Prima di montaggio, rimuovere la batteria.

Inserimento ed estrazione della batteria (fig. B)

- ◆ Per inserire la batteria (4), allinearla alla base sull'utensile. Fare scivolare la batteria nella base fino a che non s'inserisce con uno scatto.
- ◆ Per estrarre la batteria, premere il pulsante di sgancio (7) e, contemporaneamente, estrarla dalla base.

Connessione del tubo di soffiaggio (fig. C)

Prima dell'uso, è necessario assemblare il tubo di soffiaggio fissandolo alla relativa impugnatura.

- ◆ Allineare il tubo (3) e i cerchi (8) sull'impugnatura (9).
- ◆ Spingere con decisione il tubo sull'impugnatura finché i cerchi non scattano in posizione.
- ◆ Per conservare l'utensile, il tubo di soffiaggio può essere staccato dall'impugnatura premendo i cerchi su ogni lato e facendo fuoriuscire il tubo con delicatezza.

Uso

Attenzione! Lasciare che l'utensile lavori al suo ritmo, senza sovraccaricarlo.

- ◆ Per caricare la batteria (4), rimuoverla dall'utensile ed inserirla nel caricatore (5). La batteria s'inserisce in un solo verso nel caricabatteria. Assicuratevi che la batteria sia perfettamente inserita nel caricabatteria.
- ◆ Inserite la spina del caricabatteria.

Caricabatterie da 8 ore

La batteria sarà carica dopo circa 8 ore. Può essere tolta dal caricabatterie in qualunque momento o rimanervi per tempo indefinito.

Caricabatterie da 1 ora

- ◆ Controllare se la spia rossa della carica (6) s'illumina. Se, invece, s'illumina la spia verde di fine carica (7), significa che la batteria è troppo calda e non può essere caricata. In questo caso, togliere la batteria dal caricabatterie, farla raffreddare per circa 1 ora e poi reinserirla nel caricabatterie.

Dopo circa 1 ora di carica, la spia rossa di carica si spegne e s'illumina la spia verde di fine carica. A questo punto la batteria è completamente carica.

- ◆ Togliere la batteria dal caricabatterie.

Avviamento e spegnimento

- ◆ Per accendere l'elettrotensile, premere l'interruttore on/off (1).
- ◆ Per spegnere l'elettrotensile, rilasciare l'interruttore di on/off.

Consigli per un'ottima utilizzazione

- ◆ Quando si usa l'utensile, tenere il tubo di soffiaggio a circa 180 mm sopra il suolo.
- ◆ Imprimergli un movimento oscillante, da lato a lato. Avanzare lentamente, in modo che i cumuli di detriti e/o foglie siano sempre davanti (fig. D).
- ◆ Accumulare detriti e foglie in modo da formare una pila, che è facile da smaltire.

Pulizia dell'utensile

L'utensile va pulito regolarmente.

Attenzione! Mantenere il prodotto asciutto. Non spruzzarvi sopra acqua in nessun caso.

- ◆ Per pulire l'elettrotensile, usare solo sapone delicato ed un panno umido.

Attenzione! Non usare alcun tipo di detergente, prodotto di pulizia o solvente; questi potrebbero contenere delle sostanze chimiche in grado di danneggiare seriamente la plastica.

- ◆ Questa unità fa uso di cuscinetti auto-lubrificanti e non richiede, pertanto, alcuna lubrificazione.

Protezione dell'ambiente



Raccolta differenziata. Questo prodotto non deve essere smaltito con i normali rifiuti domestici.

Nel caso in cui si decida di sostituire l'apparecchio oppure di disfarsene in quanto non più necessario, non dovrà essere smaltito con i normali rifiuti domestici. Smaltire il prodotto tramite raccolta differenziata.



La raccolta differenziata di prodotti e imballaggi usati, consente il riciclaggio e il riutilizzo dei materiali. Riutilizzare i materiali riciclati aiuta a prevenire l'inquinamento ambientale e riduce la richiesta di materie prime.

In base alle normative locali, i servizi per la raccolta differenziata di elettrodomestici possono essere disponibili presso i punti di raccolta municipali o presso il rivenditore, al momento dell'acquisto di un nuovo prodotto.

Black & Decker offre ai suoi clienti un servizio per la raccolta differenziata e la possibilità di riciclare i prodotti Black & Decker che hanno esaurito la loro durata in servizio. Per usufruire del servizio, è sufficiente restituire il prodotto a qualsiasi tecnico autorizzato, incaricato della raccolta per conto dell'azienda.

Per individuare il tecnico autorizzato più vicino, rivolgersi alla sede Black & Decker locale, presso il recapito indicato nel presente manuale. Altrimenti un elenco completo di tutti i tecnici autorizzati Black & Decker e i dettagli completi sui contatti e i servizi post-vendita sono disponibili sul sito Internet: www.2helpU.com

Batterie



Le batterie della Black & Decker si possono ricaricare più volte: al termine della loro durata in servizio, devono essere raccolte negli appositi contenitori, per garantire lo smaltimento nel rispetto dell'ambiente.

- ◆ Quando è completamente esaurita, la batteria deve essere estratta dall'utensile.
- ◆ Le batterie NiCd, NiMH e Li-Ion sono riciclabili e devono essere consegnate a un tecnico autorizzato o portate presso un impianto di riciclaggio di zona.

Dati tecnici

		GW180/ GW180NM	GW180P
Tensione	V _{DC}	18	18
Peso (senza batteria)	kg	2,2	2,2

Batteria

Tensione	V _{DC}	18	18
Capacità	Ah	1,5	1,7
Peso	kg	0,8	0,8

Caricabatteria

Tensione	V _{AC}	230	230
Tempo approssimato di carica	h	8	8
Peso	kg	0,4	0,4

Dichiarazione europea di conformità del macchinario

GW180/GW180NM/GW180P

Black & Decker dichiara che i presenti prodotti sono conformi a: 98/37/CE, 2006/95/CE, EN 50260, EN 61000, EN 60335 2000/14/CE, Soffiatore per foglie, 2,0 m³, Allegato V

Livello di rumorosità, dati conformi alla norma 2000/14/CE:

L_{PA} (pressione sonora) 74 dB(A), incertezza (K) 3 dB(A),
L_{WA} (potenza acustica) 88 dB(A), incertezza (K) 3 dB(A),
L_{WA} (garantita) 90 dB(A), incertezza (K) 3 dB(A)

Livello vibrazioni mani/braccia, dati conformi alla norma

EN 60745 Annex K: 2,5 m/s²

Il sottoscritto è responsabile della compilazione del file tecnico e rilascia la presente dichiarazione per conto di Black & Decker.

Kevin Hewitt

Direttore tecnico prodotti di consumo
Spennymoor, County Durham DL16 6JG,
Regno Unito
1-7-2008

Garanzia

Certa della qualità dei suoi prodotti, Black & Decker offre una garanzia eccezionale. Il presente certificato di garanzia è complementare ai diritti statutari e non li pregiudica in alcun modo. La garanzia è valida entro il territorio degli Stati membri dell'Unione Europea e dell'EFTA (European Free Trade Area).

Se un prodotto Black & Decker risulta difettoso per qualità del materiale, della costruzione o per mancata conformità entro 24 mesi dalla data di acquisto, Black & Decker garantisce la sostituzione delle parti difettose, provvede alla riparazione dei prodotti se ragionevolmente usurati oppure alla loro sostituzione, in modo da ridurre al minimo il disagio del cliente a meno che:

- ◆ Il prodotto non sia stato destinato ad usi commerciali, professionali o al noleggio;
- ◆ Il prodotto non sia stato usato in modo improprio o scorretto;
- ◆ Il prodotto non abbia subito danni causati da oggetti o sostanze estranee oppure incidenti;
- ◆ Il prodotto non abbia subito tentativi di riparazione non effettuati da tecnici autorizzati né dall'assistenza Black & Decker.

Per attivare la garanzia è necessario esibire la prova comprovante l'acquisto al venditore o al tecnico autorizzato. Per individuare il tecnico autorizzato più vicino, rivolgersi alla sede Black & Decker locale, presso il recapito indicato nel presente manuale. Altrimenti un elenco completo di tutti i tecnici autorizzati Black & Decker e i dettagli completi sui contatti e i servizi post-vendita sono disponibili su Internet presso: **www.2helpU.com**

I clienti che desiderano registrare il nuovo prodotto Black & Decker e ricevere gli aggiornamenti sui nuovi prodotti e le offerte speciali, sono invitati a visitare il sito Web (**www.blackanddecker.it**). Ulteriori informazioni sul marchio e la gamma di prodotti Black & Decker sono disponibili all'indirizzo **www.blackanddecker.it**

Gebruik volgens bestemming

Uw Black & Decker snoerloze blazer is ontwikkeld voor het blazen van bladeren en afval. Dit apparaat is uitsluitend bedoeld voor consumentengebruik en gebruik buitenshuis. Uw Black & Decker oplader is ontworpen voor het opladen van Black & Decker accu's van het type dat bij deze machine wordt geleverd.

Veiligheidsvoorschriften

- ◆ **Waarschuwing!** Bij het gebruik van accugevoede machines dienen ter bescherming tegen brandgevaar, vrijkomen van accuvloeistof, letsel en materiële schade altijd gepaste veiligheidsmaatregelen in acht te worden genomen, waaronder de volgende veiligheidsvoorschriften.
- ◆ Lees de gebruiksaanwijzing aandachtig door voordat u met de machine gaat werken.
- ◆ Bewaar deze instructies zorgvuldig!

Zorg voor een opgeruimde werkomgeving

Een rommelige werkomgeving leidt tot ongelukken.

Houd rekening met omgevingsinvloeden

Stel de machine niet bloot aan regen. Gebruik de machine niet in een vochtige of natte omgeving. Zorg dat de werkomgeving goed is verlicht. Gebruik de machine niet op plaatsen waar brand- of explosiegevaar bestaat, b.v. in de buurt van brandbare vloeistoffen of gassen.

Houd kinderen uit de buurt

Houd kinderen, bezoekers en dieren buiten het werkgebied en laat ze de machine niet aanraken.

Draag geschikte werkkleding

Draag geen wijde kleding of loshangende sieraden. Deze kunnen door de bewegende delen worden gegrepen. Draag bij het werken buitenshuis bij voorkeur rubber werkhandschoenen en schoenen met profielzolen. Houd lang haar bijeen.

Persoonlijke bescherming

Draag altijd een veiligheidsbril. Draag een gezichts- of stofmasker bij werkzaamheden waarbij stofdeeltjes of spanen vrijkomen. Draag altijd gehoorbescherming als het geluidsniveau onaangenaam hoog is.

Zorg voor een veilige houding

Zorg altijd voor een juiste, stabiele houding.

Blijf voortdurend opletten

Houd uw aandacht bij uw werk. Ga met verstand te werk. Gebruik de machine niet als u niet geconcentreerd bent.

Klem het werkstuk goed vast

Gebruik klemmen of een bankschroef om het werkstuk te fixeren. Dit is veiliger, bovendien kan de machine dan met beide handen worden bediend.

Sluit de uitrusting van de stofafvoer aan

Indien hulpmiddelen zijn meegeleverd voor de aansluiting van stofafvoer en voorzieningen voor stofopvang, zorg dan dat

deze zijn aangesloten en naar behoren worden gebruikt.

Verwijder sleutels en hulpgereedschappen

Controleer vóór het inschakelen altijd of sleutels en andere hulpgereedschappen zijn verwijderd.

Gebruik de juiste machine

Het gebruik volgens bestemming is beschreven in deze handleiding. Gebruik geen te lichte machine of hulpstukken voor te zwaar werk. De machine werkt beter en veiliger indien u deze gebruikt voor het beoogde doel. Overbelast de machine niet.

Waarschuwing! Gebruik ter voorkoming van lichamelijk letsel uitsluitend de in deze gebruiksaanwijzing aanbevolen accessoires en hulpstukken. Gebruik de machine uitsluitend volgens bestemming.

Controleer de machine op beschadigingen

Controleer de machine voor gebruik op schade. Controleer of alle bewegende delen correct gemonteerd zijn, of er geen onderdelen gebroken zijn, of er geen beschermkappen en schakelaars beschadigd zijn en of er andere gebreken zijn die invloed op de werking van de machine zouden kunnen hebben. Vergewis u er van dat de machine correct werkt. Gebruik de machine niet als enig onderdeel defect is. Gebruik de machine niet als de aan/uit-schakelaar niet werkt. Defecte onderdelen dienen door een erkend servicecentrum te worden gerepareerd of vervangen. Probeer nooit om de machine zelf te repareren.

Verwijder de accu

Neem de accu van de machine als u de machine niet gebruikt, voordat u gereedschappen, accessoires of onderdelen van de machine verwisselt en voordat u onderhoud aan de machine uitvoert.

Voorkom onbedoeld inschakelen

Draag de machine niet met uw vingers aan de aan/uit-schakelaar. Vergewis u er van dat de machine is uitgeschakeld als u de accu aanbrengt.

Misbruik het snoer niet

Draag de oplader nooit aan het snoer. Trek niet aan het snoer om de stekker uit het stopcontact te verwijderen. Houd het snoer uit de buurt van warmtebronnen, olie en scherpe randen.

Berg de machine veilig op

Berg de machine, oplader en accu na gebruik op in een droge ruimte, buiten het bereik van kinderen.

Onderhoud de machine met zorg

Houd snijgereedschappen scherp en schoon om beter en veiliger te kunnen werken. Houdt u aan de instructies met betrekking tot het onderhoud en het vervangen van accessoires. Houd de handgrepen en schakelaars droog en vrij van olie en vet.

Reparaties

Deze machine voldoet aan de geldende veiligheidseisen. Reparaties mogen uitsluitend worden uitgevoerd door bevoegde vakmensen en met behulp van originele reserve-

onderdelen; anders kan er een aanzienlijk gevaar voor de gebruiker ontstaan.

Aanvullende veiligheidsvoorschriften voor accu's en opladers

Accu's

- ◆ Probeer nooit een accu te openen.
- ◆ Stel accu's niet aan water bloot.
- ◆ Bewaar accu's niet op plaatsen waar de temperatuur 40 °C kan overschrijden.
- ◆ Laad accu's uitsluitend op bij een omgevingstemperatuur tussen 4 °C en 40 °C.
- ◆ Laad accu's uitsluitend op met behulp van de meegeleverde oplader (zie technische gegevens).
- ◆ Controleer voor het opladen of de accu droog en schoon is.
- ◆ Gebruik het juiste type accu voor de machine (zie technische gegevens).
- ◆ Volg bij het afdanken van accu's de instructies in de paragraaf "Milieu" op.
- ◆ Onder extreme gebruikscondities kan er vloeistof uit de accu vrijkomen. Als u vloeistof op de accu opmerkt, gaat u als volgt te werk:
 - Verwijder met behulp van een doekje voorzichtig de vloeistof van de accu. Vermijd huidcontact.
 - Als de vloeistof toch in aanraking komt met de huid of de ogen, volgt u de onderstaande instructies op.

Waarschuwing! De accuvloeistof bestaat uit een 25-30 % oplossing van kaliumhydroxide en kan gevaarlijk zijn. Indien accuvloeistof met de huid in aanraking is gekomen, spoel dan de huid onmiddellijk met water af. Neutraliseer de vloeistof met een zwak zuur zoals citroensap of azijn. Indien de accuvloeistof in de ogen is gekomen, spoel de ogen dan gedurende minimaal 10 minuten met schoon stromend water. Raadpleeg vervolgens een arts.

- ◆ Verbrand de accu nooit.
- ◆ Probeer nooit een beschadigde accu op te laden.

Opladers

- ◆ Gebruik uw Black & Decker oplader uitsluitend voor het opladen van accu's van het meegeleverde type. Andere accu's kunnen barsten, wat tot letsel en materiële schade kan leiden.
- ◆ Probeer nooit om niet oplaadbare batterijen op te laden.
- ◆ Laat een defect netsnoer onmiddellijk vervangen.
- ◆ Stel de oplader niet aan water bloot.
- ◆ Open de oplader niet.
- ◆ Steek geen voorwerpen in het inwendige van de oplader.



Uitsluitend voor gebruik binnenshuis.

Elektrische veiligheid



Uw oplader is dubbel geïsoleerd. Een aarddraad is daarom niet vereist. Controleer of de ingangsspanning van de oplader overeenkomt met de netspanning. Vervang de oplader nooit door een netstekker.

Labels op de machine

Op de machine vindt u de volgende pictogrammen:



Waarschuwing! De gebruiker moet de handleiding lezen om risico op letsel te verkleinen



Schakel de zaag uit. Verwijder de accu van het apparaat alvorens onderhoudswerkzaamheden uit te voeren.

Aanvullende veiligheidsinstructies voor blazers

Waarschuwing! Richt het apparaat niet op personen of dieren in ingeschakelde toestand.



Draag een veiligheidsbril als u deze machine bedient.

- ◆ Draag een gezichts- of stofmasker bij werkzaamheden in stoffige omgevingen.
- ◆ Stel het apparaat niet bloot aan regen.
- ◆ Plaats uitlaatbuizen niet in de buurt van ogen of oren als u dit apparaat bedient.
- ◆ Steek nooit grindpaden over en plaats het apparaat nooit op grind terwijl het apparaat is ingeschakeld.
- ◆ Plaats geen objecten in de openingen en bewegende delen.
- ◆ Schakel het apparaat altijd uit voordat u de blaasbuis verwijdert, verwijder de accu en laat het apparaat tot stilstand komen.
- ◆ Lees de instructies zorgvuldig. Zorg dat u bekend bent met de bedieningsonderdelen en het juiste gebruik van de machine.
- ◆ Verbied kinderen en personen die niet van de inhoud van deze handleiding op de hoogte zijn het gebruik van deze machine. De leeftijd van de bediener kan aan plaatselijke voorschriften gebonden zijn.
- ◆ Gebruik de machine niet wanneer er mensen, met name kinderen, of huisdieren in de buurt zijn.
- ◆ Onthoud dat de gebruiker verantwoordelijk zal worden gesteld voor ongelukken of gevaren aan andere mensen of hun eigendommen.

Vorbereiding

- ◆ Gebruik de machine niet met open sandalen of blootsvoets.
- ◆ Draag altijd stevige schoenen of laarzen en een lange broek om uw voeten en benen te beschermen – pas gemaaid gras is vochtig en glad. Rubberen of handgemaakte schoenen zullen uw veiligheid verhogen.

Waarschuwing! Gebruik het apparaat alleen waarvoor het is bedoeld.

Overzicht

1. Aan/uit-schakelaar
2. Handgreep
3. Blaasbuis
4. Accu

Fig. A

5. Oplader
6. Oplaadindicator
7. Indicator einde oplaadtijd

Montage

Waarschuwing! Neem voor de montage de accu van de machine.

Aanbrengen en verwijderen van de accu (fig. B)

- ◆ Om de batterij (4) aan te brengen, houdt u hem voor de houder in de machine. Schuif de accu in de houder en duw deze aan totdat hij vastklikt.
- ◆ Druk om de batterij te verwijderen de ontgrendelingsknop (7) in en trek tegelijkertijd de batterij uit de houder.

Aansluiten van de blaasbuis (fig. C)

De blaasbuis moet voor gebruik aan de behuizing worden gemonteerd.

- ◆ Breng de cirkels (8) op de behuizing (9) en de buis (3) in lijn.
- ◆ Duw de buis stevig op de behuizing totdat de cirkels vastklikken.
- ◆ Voor opslag kan de blaasbuis van de blaasbehuizing worden losgemaakt door de cirkels aan beide zijden in te drukken en de buis voorzichtig af te schuiven.

Gebruik

Waarschuwing! Laat de machine op haar eigen tempo werken. Niet overbelasten.

- ◆ Om de accu (4) op te laden, haalt u deze uit de machine en steekt hem in de oplader (5). De accu past slechts op één manier in de oplader. Niet forceren. Verzeker u ervan dat de accu volledig in de oplader is geplaatst.
- ◆ Steek de stekker van de oplader in het stopcontact.

8-uurs oplader

De accu is volledig opgeladen na ongeveer 8 uur. De accu kan elk moment worden uitgenomen of voor onbepaalde tijd in de aangesloten oplader worden achtergelaten.

1-uurs oplader

- ◆ Controleer of de rode oplaadindicator (6) brandt. Als de groene indicator einde oplaadtijd (7) brandt, is de accu te heet en kan deze niet worden opgeladen. Indien dit gebeurt, haalt u de accu uit de oplader en laat hem ongeveer 1 uur afkoelen voordat u de accu terugplaatst.

Na ongeveer 1 uur opladen dooft de rode oplaadindicator en gaat de groene indicator einde oplaadtijd branden. De accu is nu volledig opgeladen.

- ◆ Verwijder de accu uit de oplader.

Aan- en uitschakelen

- ◆ Om de machine in te schakelen, drukt u de aan/uit-schakelaar (1) in.
- ◆ Om de machine uit te schakelen, laat u de aan/uit-schakelaar los.

Tips voor optimaal gebruik

- ◆ Houd de blaasbuis tijdens het werken met het apparaat ongeveer 180 mm boven de grond.
- ◆ Zwaai langzaam heen en weer. Loop langzaam naar voren, waarbij u het opeenhopende afval of de bladeren voor u houdt (fig. D).
- ◆ Nadat u het afval of de bladeren op een hoop heeft geblazen, kan de stapel eenvoudig worden weggegooid.

Reinigen van het apparaat

Reinig het apparaat regelmatig.

Waarschuwing! Houd het apparaat droog. Besproei het apparaat in geen geval met water.

- ◆ Gebruik alleen zachte zeep en een vochtige doek om het instrument te reinigen.

Waarschuwing! Gebruik geen reinigingsmiddel of oplosmiddel dat chemische stoffen kan bevatten die de kunststof ernstig kunnen aantasten.

- ◆ Uw product bevat zelfsmerende lagers. Dit maakt smeren overbodig.

Milieu



Gescheiden inzameling. Dit product mag niet met het gewone huishoudelijke afval worden weggegooid.

Wanneer uw oude Black & Deckerproduct aan vervanging toe is of het u niet langer van dienst kan zijn, gooi het dan niet bij

het huishoudelijk afval. Zorg ervoor dat het product gescheiden kan worden ingezameld.



Door gebruikte producten en verpakkingen gescheiden in te zamelen, worden de materialen gerecycled en opnieuw gebruikt. Hergebruik van gerecyclede materialen voorkomt milieuvervuiling en vermindert de vraag naar grondstoffen.

Inzamelpunten voor gescheiden inzameling van elektrische huishoudproducten bij gemeentelijke vuilnisbergen of bij de verkoper waar u een nieuw product koopt, kunnen aan plaatselijke voorschriften gebonden zijn.

Black & Decker biedt de mogelijkheid tot inzamelen en recyclen van afgedankte Black & Decker producten. Om gebruik van deze service te maken, dient u het product aan een van onze servicecentra te sturen, die voor ons de inzameling verzorgen.

U kunt het adres van het dichtstbijzijnde servicecentrum opvragen via de adressen op de achterzijde van deze handleiding. U kunt ook een lijst van onze servicecentra en meer informatie m.b.t. onze klantenservice vinden op het volgende Internet-adres: www.2helpU.com

Accu's



Black & Decker accu's kunnen vele malen opnieuw worden opgeladen. Versleten accu's dienen op milieubewuste wijze te worden verwijderd:

- ◆ Gebruik de energie van de accu helemaal op en verwijder hem dan van de machine.
- ◆ NiCd-, NiMH- en Li-Ion-accu's zijn te recyclen. Breng ze naar een servicecentrum of naar een plaatselijk verwerkingscentrum voor klein chemisch afval.

Technische gegevens

		GW180/ GW180NM	GW180P
Spanning	V _{DC}	18	18
Gewicht (zonder accu)	kg	2,2	2,2

Accu

Spanning	V _{DC}	18	18
Capaciteit	Ah	1,5	1,7
Gewicht	kg	0,8	0,8

Oplader

Spanning	V _{AC}	230	230
Gemiddelde oplaadtijd	h	8	8
Gewicht	kg	0,4	0,4

EG-conformiteitsverklaring

GW180/GW180NM/GW180P

Black & Decker verklaart dat deze producten in overeenstemming zijn met:

98/37/EG, 2006/95/EG, EN 50260, EN 61000, EN 60335
2000/14/EG, Bladblazer, 2,0 m³, Bijlage V

Niveau van de geluidsdruk, gemeten volgens 2000/14/EG:

L_{PA} (geluidsdruk) 74 dB(A), onzekerheid (K) 3 dB(A),
L_{WA} (geluidsvermogen) 88 dB(A), onzekerheid (K) 3 dB(A),
L_{WA} (gegarandeerd) 90 dB(A), onzekerheid (K) 3 dB(A)

Trilling op hand/arm volgens
EN 60745 Annex K: 2,5 m/s²

De ondergetekende is verantwoordelijk voor de samenstelling van de technische gegevens en geeft deze verklaring namens
Black & Decker.

Kevin Hewitt

Director of Consumer Engineering
Spennymoor, County Durham DL16 6JG,
Verenigd Koninkrijk
1-7-2008

Garantie

Black & Decker heeft vertrouwen in zijn producten en biedt een uitstekende garantie. Deze garantiebepalingen vormen een aanvulling op uw wettelijke rechten en beperken deze niet. De garantie geldt in de lidstaten van de Europese Unie en de Europese Vrijhandelsassociatie.

Mocht uw Black & Decker product binnen 24 maanden na datum van aankoop defect raken tengevolge van materiaal- of constructiefouten, dan garanderen wij de kosteloze vervanging van defecte onderdelen, de reparatie van het product of de vervanging van het product, tenzij:

- ◆ Het product is gebruikt voor handelsdoeleinden, professionele toepassingen of verhuurdoeleinden;
- ◆ Het product onoordeelkundig is gebruikt;
- ◆ Het product is beschadigd door invloeden van buitenaf of door een ongeval;
- ◆ Reparaties zijn uitgevoerd door anderen dan onze servicecentra of Black & Decker personeel.

Om een beroep op de garantie te doen, dient u een aankoopbewijs te overhandigen aan de verkoper of een van onze servicecentra. U kunt het adres van het dichtstbijzijnde servicecentrum opvragen via de adressen op de achterzijde van deze handleiding. U kunt ook een lijst van onze servicecentra en meer informatie m.b.t. onze klantenservice vinden op het volgende Internet-adres: **www.2helpU.com**

Meld u aan op onze website **www.blackanddecker.nl** om te worden geïnformeerd over nieuwe producten en speciale aanbiedingen. Verdere informatie over het merk Black & Decker en onze producten vindt u op **www.blackanddecker.nl**

Finalidad

El soplador sin cable Black & Decker ha sido diseñado para soplar hojas y residuos. Esta herramienta está pensada únicamente para uso doméstico y en exteriores.

Su cargador Black & Decker está diseñado para cargar baterías Black & Decker del tipo suministrado con la herramienta.

Instrucciones de seguridad

- ◆ **¡Atención!** Cuando use herramientas alimentadas por batería, debe adoptar siempre las precauciones de seguridad básicas, incluidas las siguientes, a fin de reducir el riesgo de incendio, pérdida del líquido de las baterías, lesiones personales y daños materiales.
- ◆ Lea completamente este manual antes de utilizar la herramienta.
- ◆ Mantenga a mano este manual para consultas posteriores.

Mantenga limpia el área de trabajo

Un área o un banco de trabajo en desorden aumentan el riesgo de accidentes.

Tenga en cuenta el entorno del área de trabajo

No exponga herramientas a la humedad. Procure que el área de trabajo esté bien iluminada. No utilice la herramienta donde exista riesgo de incendio o explosión, p. ej. en la proximidad de líquidos o gases inflamables.

¡Mantenga alejados a los niños!

No permita que niños, otras personas o animales se acerquen al área de trabajo o toquen la herramienta.

Vista ropa de trabajo apropiada

No lleve vestidos anchos ni joyas. Estos podrían ser atrapados por piezas en movimiento. Para trabajos en el exterior, se recomienda llevar guantes de goma y calzado de suela antideslizante. Si tiene el pelo largo, téngalo recogido y cubierto.

Protección personal

Lleve gafas de protección. Utilice una mascarilla si el trabajo ejecutado produce polvo u otras partículas volantes. Lleve protectores para los oídos cuando el ruido pueda resultar molesto.

No alargue demasiado su radio de acción

Mantenga un apoyo firme sobre el suelo y conserve el equilibrio en todo momento.

Esté siempre alerta

Mire lo que está haciendo. Use el sentido común. No maneje la herramienta cuando está cansado.

Sujete bien la pieza de trabajo

Utilice abrazaderas o un torno para sujetar la pieza de trabajo. Es más seguro que sujetarla con la mano y le permite utilizar ambas manos para manejar la herramienta.

Conecte los accesorios para la extracción de polvo.

Si se suministran adaptadores para la conexión de accesorios extractores y para el almacenamiento del polvo, asegúrese de que se conectan y utilizan adecuadamente.

Retire las llaves de maniobra

Antes de poner la herramienta en marcha, asegúrese de que las llaves y utensilios de réglage hayan sido retirados.

Utilice la herramienta adecuada

En este manual se explica para qué uso está destinada la herramienta. No utilice herramientas o dispositivos acoplables de potencia demasiado débil para ejecutar trabajos pesados. La herramienta funcionará mejor y con mayor seguridad al ser utilizada de acuerdo con sus características técnicas. No fuerce la herramienta.

¡Atención! El uso de otros accesorios, adaptadores, o la propia utilización de la herramienta en cualquier forma diferente de las recomendadas en este manual de instrucciones puede constituir un riesgo de lesiones a las personas.

Compruebe que no haya piezas averiadas

Antes de usarla, compruebe cuidadosamente que la herramienta no esté estropeada. Compruebe la posible existencia de piezas móviles mal alineadas o atascadas, la rotura de piezas, el posible daño de protectores e interruptores y cualquier otro aspecto que pueda afectar al funcionamiento de la herramienta. Asegúrese de que la herramienta puede funcionar adecuadamente y cumplir con el cometido para el que ha sido diseñada. No use la herramienta si hay alguna pieza defectuosa o averiada. No utilice la herramienta si no es posible apagar y encender el interruptor. Encargue al servicio técnico autorizado que repare o sustituya las piezas defectuosas o averiadas. Jamás intente repararla usted mismo.

Extracción de la batería

Extraiga la batería cuando no esté usando la herramienta, antes de sustituir piezas, accesorios o acoplamientos, y antes de efectuar revisiones.

Evite un arranque involuntario

Procure no tocar el conmutador de encendido/apagado mientras transporta la herramienta. Compruebe que la herramienta está desconectada antes de proceder a colocar la batería en la herramienta.

Cuide el cable de alimentación

No lleve la herramienta por el cable, ni tire del cable para desenchufar la herramienta. Proteja el cable del calor, del aceite y de las aristas vivas.

Guarde las herramientas que no utiliza

Las herramientas, cargadores y baterías que no se utilizan, deben estar protegidos en un lugar seco y cerrado o elevado, fuera del alcance de los niños.

Mantenga las herramientas asiduamente

Mantenga sus herramientas afiladas y limpias para trabajar mejor y más seguro. Siga las instrucciones para el mantenimiento y la sustitución de accesorios. Mantenga los mandos y conmutadores secos, limpios y libres de aceite y grasa.

Reparaciones

Esta herramienta cumple las normas de seguridad aplicables. Las reparaciones deben llevarse a cabo por personal cualificado, usando piezas de recambio originales; en caso contrario, podría ocasionarse un considerable riesgo para el usuario.

Instrucciones de seguridad adicionales para baterías y cargadores

Baterías

- ◆ Nunca intente abrirlas por ningún motivo.
- ◆ No las exponga al agua.
- ◆ No las almacene en lugares donde la temperatura pueda exceder los 40 °C.
- ◆ Cargue las baterías únicamente a temperaturas entre 4 °C y 40 °C.
- ◆ Use únicamente el cargador suministrado para cargar la herramienta (consulte las características técnicas).
- ◆ Antes de cargarla, compruebe que la batería está seca y limpia.
- ◆ Use el tipo de batería correcto para la herramienta (consulte las características técnicas).
- ◆ Cuando deseche las baterías, siga las instrucciones reseñadas en la sección "Medio ambiente".
- ◆ Bajo condiciones extremas, la batería podría perder líquido. Si observa que la batería ha perdido líquido, proceda del modo siguiente:
 - Limpie cuidadosamente el líquido con un paño. Evite el contacto con la piel.
 - En caso de producirse contacto con la piel o los ojos, siga estas instrucciones.

¡Atención! El líquido una solución de un 25-30% de hidróxido de potasio, puede resultar nocivo. En caso de que entre en contacto con la piel, lávese inmediatamente con agua. Neutralícelo con un ácido suave como zumo de limón o vinagre. En caso de que entre en contacto con los ojos, láveselos con agua limpia abundante durante al menos 10 minutos.

Consulte a un médico.

- ◆ No arroje la batería al fuego.
- ◆ No cargue baterías en mal estado.

Cargadores

- ◆ Use el cargador Black & Decker únicamente para cargar baterías del tipo suministrado. Otras baterías podrían estallar, causando daños y lesiones personales.
- ◆ No intente nunca cargar baterías no-recargables.
- ◆ Sustituya inmediatamente los cables defectuosos.
- ◆ No exponga el cargador al agua.
- ◆ No abra el cargador.
- ◆ No manipule el cargador.



Para uso exclusivo en interiores.

Seguridad eléctrica



Su cargador tiene doble aislamiento; por consiguiente, no se requiere conexión a tierra. El cargador ha sido diseñado para un solo voltaje. Compruebe siempre que el voltaje de la red corresponde al valor indicado en la placa de características. No intente nunca sustituir el cargador por un enchufe normal a la red.

Etiquetas sobre la herramienta

En la herramienta se indican los siguientes pictogramas:



¡Atención! Para reducir el riesgo de lesiones, el usuario debe leer el manual de instrucciones.



Apague la herramienta. Antes de efectuar cualquier mantenimiento en la herramienta, retire la batería de la herramienta.

Instrucciones de seguridad adicionales para sopladores

¡Atención! No apunte la herramienta hacia personas o animales cuando esté encendida.



Lleve gafas protectoras cuando utilice esta herramienta.

- ◆ Utilice una mascarilla siempre que las operaciones se lleven a cabo en entornos polvorientos.
- ◆ No exponga la herramienta a la lluvia o a una humedad elevada.
- ◆ No ponga los tubos de salida cerca de los ojos o los oídos cuando esté utilizando la herramienta.
- ◆ No atraviese senderos de grava ni coloque la herramienta sobre la grava cuando esté encendida.
- ◆ No coloque ningún objeto en las aberturas y piezas móviles.
- ◆ Antes de quitar el tubo de soplado, desconecte siempre la herramienta, extraiga la batería y deje que la herramienta se pare.
- ◆ Lea detenidamente las instrucciones. Familiarícese con los controles y el uso adecuado del aparato.
- ◆ No deje que el aparato sea utilizado por niños o por personas que no estén familiarizadas con el uso del mismo. La normativa local puede restringir la edad del operador.
- ◆ No utilice nunca el aparato mientras haya otras personas, sobre todo niños, o animales de compañía cerca.
- ◆ Recuerde que el operador será responsable de los accidentes o daños ocasionados a otras personas o a sus pertenencias.

Preparación

- ◆ No trabaje con este producto cuando lleve calzado con los dedos al aire o cuando esté descalzo.
- ◆ Para proteger los pies y las piernas, lleve siempre zapatos resistentes o botas y pantalones largos – el césped recién cortado está húmedo y resbaladizo. El calzado de fibra artificial o caucho incrementará su seguridad.

¡Atención! Utilice la herramienta únicamente en la forma prevista.

Vista general

1. Interruptor de encendido/apagado
2. Mango
3. Tubo de soplado
4. Batería

Fig. A

5. Cargador
6. Indicador de carga
7. Indicador de carga completada

Montaje

¡Atención! Antes de proceder al montaje, extraiga siempre la batería.

Colocación y extracción de la batería (fig. B)

- ◆ Para introducir la batería (4), colóquela en línea con el alojamiento sobre la herramienta. Introduzca la batería en el alojamiento y empujela hasta que encaje en su sitio.
- ◆ Para quitar la batería, presione el botón liberador (7) al tiempo que extrae la batería de su alojamiento.

Conexión del tubo de soplado (fig. C)

Antes de usarlo, se debe montar el tubo de soplado en la base.

- ◆ Alinee los círculos (8) de la base (9) y el tubo (3).
- ◆ Empuje el tubo firmemente dentro de la base hasta que los círculos encajen en su sitio con un clic.
- ◆ Para su almacenaje, el tubo de soplado se puede separar de la base oprimiendo los círculos a ambos lados y deslizando el tubo suavemente hacia fuera.

Uso

¡Atención! Deje que la herramienta funcione a su ritmo. No lo sobrecargue.

- ◆ Para cargar la batería (4), extráigala de la herramienta e insértela en el cargador (5). La batería encajará en el cargador sólo en un sentido. No la fuerce. Compruebe que la batería está totalmente insertada en el cargador.
- ◆ Enchufe el cargador.

Cargador de 8 hora

La batería estará totalmente cargada en el plazo aproximado de 8 horas. Puede extraerla en cualquier momento o dejarla en el cargador conectado indefinidamente.

Cargador de 1 hora

- ◆ Compruebe que el indicador rojo de carga (6) esté encendido. Si en su lugar se enciende el indicador verde de carga (7), entonces la batería está demasiado caliente y no puede cargarse. Si ocurre esto, extraiga la batería del cargador, deje que se enfríe durante 1 hora aproximadamente y vuelva a insertarla.

Después de 1 hora aproximada de carga, el indicador rojo se apagará y se encenderá el indicador verde de carga finalizada. Entonces la batería estará totalmente cargada.

- ◆ Extraiga la batería del cargador.

Encendido y apagado

- ◆ Para encender la herramienta, pulse el interruptor de encendido/apagado (1).
- ◆ Para apagar la herramienta, suelte el interruptor de encendido/apagado.

Consejos para un uso óptimo

- ◆ Sujete el tubo de soplado unos 180 mm por encima del suelo cuando utilice la herramienta.
- ◆ Utilice un movimiento de barrido de lado a lado. Avance lentamente manteniendo los residuos/las hojas acumuladas delante suyo (fig. D).
- ◆ Después de soplar los residuos/las hojas en una pila, le resultará fácil desechar la pila.

Limpieza de la herramienta

Limpie la herramienta periódicamente.

¡Atención! Mantenga el producto seco. Bajo ninguna circunstancia debe pulverizarlo con agua.

- ◆ Para limpiar la herramienta, utilice sólo jabón suave y un paño húmedo.

¡Atención! No utilice ningún tipo de detergente, limpiador o disolvente que contenga sustancias químicas que puedan dañar gravemente el plástico.

- ◆ Este producto está equipado con cojinetes autolubricantes, de modo que no requieren lubricación.

Protección del medio ambiente



Separación de desechos. Este producto no debe desecharse con la basura doméstica normal.

Si llega el momento de reemplazar su producto Black & Decker o éste ha dejado de tener utilidad para usted, no lo deseche con la basura doméstica normal. Asegúrese de que este producto se deseche por separado.



La separación de desechos de productos usados y embalajes permite que los materiales puedan reciclarse y reutilizarse. La reutilización de materiales reciclados ayuda a evitar la contaminación medioambiental y reduce la demanda de materias primas.

La normativa local puede prever la separación de desechos de productos eléctricos de uso doméstico en centros municipales de recogida de desechos o a través del distribuidor cuando adquiere un nuevo producto.

Black & Decker proporciona facilidades para la recogida y el reciclado de los productos Black & Decker que hayan llegado al final de su vida útil. Para hacer uso de este servicio, devuelva su producto a cualquier servicio técnico autorizado, que lo recogerá en nuestro nombre.

Pueden consultar la dirección de su servicio técnico más cercano poniéndose en contacto con la oficina local de Black & Decker en la dirección que se indica en este manual. Como alternativa, puede consultar en Internet la lista de servicios técnicos autorizados e información completa de nuestros servicios de posventa y contactos en la siguiente dirección: www.2helpU.com

Baterías



Las baterías Black & Decker pueden recargarse muchas veces. Cuando se agoten, deséchelas respetando las normas de protección del entorno:

- ◆ Utilice la batería hasta que se agote por completo y luego retírela de la herramienta.
- ◆ Las baterías NiCd, NiMH y Li-Ion son reciclables. Llévelas a cualquier servicio técnico autorizado o a un centro de reciclado.

Características técnicas

		GW180/ GW180NM	GW180P
Voltaje	V _{DC}	18	18
Peso (sin batería)	kg	2,2	2,2

Batería

Voltaje	V _{DC}	18	18
Capacidad	Ah	1,5	1,7
Peso	kg	0,8	0,8

Cargador

Voltaje	V _{AC}	230	230
Tiempo aproximado de carga	h	8	8
Peso	kg	0,4	0,4

Declaración de conformidad CE

GW180/GW180NM/GW180P

Black & Decker declara que estos productos cumplen las normas siguientes:

98/37/CE, 2006/95/CE, EN 50260, EN 61000, EN 60335 2000/14/CE, Soplador de hojas, 2,0 m³, Anexo V

Nivel de la presión acústica, medida según 2000/14/CE:

L_{PA} (presión de sonido) 74 dB(A), incertidumbre (K) 3 dB(A),
L_{WA} (potencia acústica) 88 dB(A), incertidumbre (K) 3 dB(A),
L_{WA} (garantizado) 90 dB(A), incertidumbre (K) 3 dB(A)

Valor de la vibración ponderada en mano/brazo según EN 60745 Annex K: 2,5 m/s²

El abajo firmante es responsable de la compilación del archivo técnico y hace esta declaración en nombre de Black & Decker.

Kevin Hewitt
Director de Ingeniería del Consumidor
Spennymoor, County Durham DL16 6JG,
Reino Unido
1-7-2008

Garantía

Black & Decker confía plenamente en la calidad de sus productos y ofrece una garantía extraordinaria. Esta declaración de garantía es una añadida, y en ningún caso un perjuicio para sus derechos estatutarios. La garantía es válida dentro de los territorios de los Estados Miembros de la Unión Europea y de los de la Zona Europea de Libre Comercio.

Si un producto Black & Decker resultará defectuoso debido a materiales o mano de obra defectuosos o a la falta de conformidad, Black & Decker garantiza, dentro de los 24 meses de la fecha de compra, la sustitución de las piezas defectuosas, la reparación de los productos sujetos a un desgaste y rotura razonables o la sustitución de tales productos para garantizar al cliente el mínimo de inconvenientes, a menos que:

- ◆ El producto haya sido utilizado con propósitos comerciales, profesionales o de alquiler;
- ◆ El producto haya sido sometido a un uso inadecuado o negligente;
- ◆ El producto haya sufrido daños causados por objetos o sustancias extrañas o accidentes;
- ◆ Se hayan realizado reparaciones por parte de personas que no sean los servicios de reparación autorizados o personal de servicios de Black & Decker.

Para reclamar en garantía, será necesario que presente la prueba de compra al vendedor o al servicio técnico de reparaciones autorizado. Pueden consultar la dirección de su servicio técnico más cercano poniéndose en contacto con la oficina local de Black & Decker en la dirección que se indica en este manual. Como alternativa, se puede consultar en Internet, en la dirección siguiente, la lista de servicios técnicos autorizados e información completa de nuestros servicios de postventa y contactos:

www.2helpU.com

Visite nuestro sitio web **www.blackanddecker.eu** para registrar su nuevo producto Black & Decker y mantenerse al día sobre nuestros productos y ofertas especiales. Encontrará información adicional sobre la marca Black & Decker y nuestra gama de productos en **www.blackanddecker.eu**

Utilização

O seu soprador sem fios Black & Decker foi concebido para retirar folhas e resíduos. Esta ferramenta destina-se apenas ao uso doméstico e no exterior.

O seu carregador Black & Decker foi concebido para carregar as baterias Black & Decker do tipo fornecido com esta ferramenta.

Instruções de segurança

- ◆ **Aviso!** Ao utilizar ferramentas alimentadas por bateria, é preciso seguir sempre as precauções básicas de segurança, incluindo as detalhadas a seguir, para diminuir os riscos de incêndio, corrosão das baterias, ferimentos pessoais e danos materiais.
- ◆ Leia atentamente este manual antes de utilizar a ferramenta.
- ◆ Guarde este manual para futura referência.

Mantenha a área de trabalho arrumada

As mesas e áreas de trabalho desarrumadas podem provocar ferimentos.

Cuide do ambiente da área de trabalho

Não exponha a ferramenta à chuva. Não utilize a ferramenta em situações onde haja humidade ou água. Mantenha a área de trabalho bem iluminada. Não utilize a ferramenta onde haja risco de fogo ou explosão, p.ex. em presença de líquidos ou gases inflamáveis.

Mantenha as crianças afastadas

Não permita que crianças, visitantes ou animais cheguem perto da área de trabalho ou toquem na ferramenta.

Vista-se de maneira apropriada

Não use vestuário largo nem jóias porque podem prender-se numa peça móvel. Quando se trabalha no exterior, é de aconselhar o uso de luvas de borracha e de calçado antiderrapante. Cubra o cabelo se tiver cabelo comprido.

Protecção pessoal

Utilize óculos de protecção. Utilize óculos de protecção e uma máscara de rosto ou poeira sempre que as operações possam produzir poeira ou partículas que voem. Utilize protector de ouvidos sempre que o nível de ruído pareça ser incómodo.

Verifique a sua posição

Mantenha sempre o equilíbrio.

Esteja atento

Dê atenção ao que vai fazendo. Trabalhe com precaução. Não utilize ferramentas quando estiver cansado.

Segure firmemente as peças a trabalhar

Utilize grampos ou um torno para segurar as peças de trabalho. É mais seguro e permite manter as duas mãos livres para trabalhar.

Conecte o equipamento de extracção de pó

Caso sejam fornecidos os dispositivos para a conexão de extracção e colecta de pó, assegure-se de que os mesmos sejam correctamente conectados e utilizados.

Tire as chaves de aperto

Verifique sempre se as chaves de aperto foram retiradas da ferramenta antes de a utilizar.

Utilize a ferramenta apropriada

Neste manual indicam-se as aplicações da ferramenta.

Não force pequenas ferramentas ou acessórios para fazer o trabalho dum ferramenta forte. A ferramenta trabalhará melhor e de uma maneira mais segura se for utilizada para o efeito indicado. Não force a ferramenta.

Aviso! O uso de qualquer acessório ou da própria ferramenta, além do que é recomendado neste manual de instruções pode dar origem a risco de ferimento.

Verifique se há peças danificadas

Antes do uso, verifique cuidadosamente se a ferramenta está danificada. Verifique o tamanho das peças móveis e se as mesmas estão alinhadas; verifique se há alguma peça partida, se as protecções e os interruptores estão danificados, bem como quaisquer outras condições que possam afectar o funcionamento da ferramenta. Assegure-se de que a ferramenta funcione correctamente e de que esteja a desempenhar as funções para as quais foi projectada. Não utilize a ferramenta se houver alguma peça defeituosa. Não utilize a ferramenta se o interruptor não estiver a funcionar para ligar ou desligar.

Qualquer peça defeituosa deve ser reparada ou substituída por um técnico autorizado. Nunca tente efectuar qualquer reparação por sua conta.

Remova a bateria

Remova a bateria quando a ferramenta não estiver em uso, antes de trocar qualquer peça da ferramenta, acessórios ou anexos e antes de enviar ao serviço técnico.

Evite ligar sem intenção

Não transporte a ferramenta com um dedo sobre o interruptor liga/desliga. Certifique-se de que a ferramenta esteja desligada quando for inserir a bateria.

Não force o cabo eléctrico

Nunca transporte a ferramenta pelo cabo e não puxe pelo cabo para tirar a ficha da tomada. Proteja o cabo contra o calor e evite o contacto com óleo e objectos cortantes.

Guarde as ferramentas que não estiverem a ser utilizadas

Quando não estiverem em uso, as ferramentas e baterias devem ser armazenadas num local seco, fora do alcance de crianças.

Cuide das suas ferramentas com atenção

Mantenha as ferramentas cortantes afiadas e limpas para um melhor e mais seguro desempenho. Siga as instruções para a manutenção e a troca de acessórios. Mantenha os punhos e os interruptores secos, limpos e isentos de óleo e gordura.

Reparos

Esta ferramenta cumpre os requisitos de segurança pertinentes. Os reparos devem ser realizados somente por pessoas qualificadas e as peças de reposição devem ser originais. A não observância disso poderá resultar em perigos consideráveis para os utilizadores.

Instruções adicionais de segurança para baterias e carregadores

Baterias

- ◆ Nunca tente abrir seja qual for a razão.
- ◆ Não exponha à água.
- ◆ Não armazene em locais onde a temperatura possa exceder 40 °C.
- ◆ Carregue somente à temperatura ambiente entre 4 °C e 40 °C.
- ◆ Carregue somente utilizando o carregador fornecido com a ferramenta (veja os dados técnicos).
- ◆ Antes de carregar, certifique-se de que a bateria esteja seca e limpa.
- ◆ Utilize somente o tipo correcto de bateria para a ferramenta (veja os dados técnicos).
- ◆ Quando se desfizer das baterias, siga as instruções dadas na secção "Ambiente".
- ◆ Sob condições extremas, pode ocorrer vazamento de bateria. Quando notar que há líquido na bateria, proceda da seguinte maneira:
 - Limpe o líquido cuidadosamente utilizando um pano. Evite o contacto com a pele.
 - Em caso de contacto com a pele ou com os olhos, siga as instruções abaixo.

Aviso! O líquido da bateria, uma 25-30% solução de hidróxido de potássio, pode ser nocivo. Em caso de contacto com a pele, lave imediatamente com água. Neutralize com um ácido suave, como sumo de limão ou vinagre. Em caso de contacto com os olhos, enxague abundantemente com água limpa durante 10 minutos. Consulte um médico.

- ◆ Não queime a bateria.
- ◆ Não carregue baterias danificadas.

Carregadores

- ◆ Utilize seu carregador Black & Decker somente para carregar as baterias do tipo fornecido com sua ferramenta. Outras baterias poderiam explodir causando danos pessoais e estragos.
- ◆ Nunca tente carregar baterias não recarregáveis.
- ◆ Substitua os cabos defeituosos imediatamente.
- ◆ Não exponha à água.
- ◆ Não abra o carregador.
- ◆ Não submeta o carregador a testes electrónicos.



Concebido somente para uso em interior.

Segurança eléctrica



O seu carregador tem duplo isolamento, não sendo, por isso, necessária uma ligação à terra. Assegure-se de que a voltagem do seu carregador corresponde com a rede de energia. Nunca tente substituir o carregador por uma tomada de energia normal.

Etiquetas da ferramenta

Aparecem os seguintes pictogramas na ferramenta:



Advertência! Para reduzir o risco de ferimentos, o utilizador deve ler o manual de instruções.



Desligue a ferramenta. Antes de executar qualquer manutenção na ferramenta, retire a bateria.

Instruções adicionais de segurança relativamente a sopradores

Advertência! Não vire a ferramenta para pessoas ou animais quando ligada.



Utilize óculos de segurança durante o funcionamento da ferramenta.

- ◆ Utilize uma máscara facial ou de protecção contra pó sempre que efectuar trabalhos em locais poeirentos.
- ◆ Não exponha a ferramenta a chuva nem a humidade excessiva.
- ◆ Não coloque os tubos de saída perto dos olhos ou ouvidos durante o funcionamento.
- ◆ Não atravesse caminhos com cascalho ou coloque a ferramenta sobre cascalho quando esta estiver ligada.
- ◆ Não coloque quaisquer objectos nas aberturas ou nas partes móveis.
- ◆ Antes de remover o tubo do soprador, desligue a ferramenta, remova a bateria e espere que a máquina pare completamente.
- ◆ Leia atentamente as instruções. Familiarize-se com os controlos e com a utilização correcta do aparelho.
- ◆ Não permita que as crianças ou qualquer pessoa que não esteja familiarizada com estas instruções utilizem o aparelho. Os regulamentos locais poderão limitar a idade do utilizador para a utilização do aparelho.
- ◆ Não utilize o aparelho na presença de outras pessoas, em especial perto de crianças ou animais.
- ◆ Lembre-se que o operador poderá ser responsabilizado por acidentes ou danos causados a pessoas ou aos seus bens.

Preparação

- ◆ Não utilize a ferramenta se estiver descalço ou a utilizar sandálias.
- ◆ Para proteger os seus pés e pernas, use sempre sapatos fortes ou botas - a relva cortada recentemente está húmida e escorregadia. Os sapatos de sola ou o calçado artesanal melhoram a sua segurança.

Advertência! Utilize a ferramenta apenas para o fim especificado.

Visão geral

1. Interruptor de ligar/desligar
2. Pega
3. Tubo de sopro
4. Bateria

Fig. A

5. Carregador
6. Indicador de carga
7. Indicador de carga completa

Montagem

Advertência! Antes da montagem, retire a bateria.

Colocação e remoção da bateria (fig. B)

- ◆ Para colocar a bateria (4), alinhe-a com o respectivo receptáculo na ferramenta. Empurre a bateria em direcção ao respectivo receptáculo até encaixar.
- ◆ Para retirá-la, prima o botão de libertação (7) e puxe a bateria para fora do respectivo receptáculo.

Colocação do tubo do soprador (fig. C)

O tubo de sopro deve ser montado no dispositivo de sopro antes da utilização.

- ◆ Alinhe os círculos (8) no dispositivo (9) e o tubo (3).
- ◆ Encaixe o tubo no dispositivo até que os círculos encaixem.
- ◆ Para o armazenamento, o tubo de sopro pode ser retirado do dispositivo de sopro, soltando os círculos em ambos os lados e deslizando cuidadosamente o tubo.

Utilização

Advertência! Deixe que a ferramenta funcione à vontade.

Não o sobrecarregue.

- ◆ Para carregar a bateria (4), remova-a da ferramenta e insira-a no carregador (5). A bateria só encaixará no carregador de um modo. Não force. Esteja seguro de que a bateria está completamente encaixada no carregador.
- ◆ Ligue o carregador à corrente eléctrica.

Carregador de 8 hora

A bateria estará completamente carregada em aproximadamente 8 horas, podendo ser removida a qualquer momento ou deixada indefinidamente no carregador ligado.

Carregador de 1 hora

- ◆ Verifique se o indicador vermelho de carregamento (6) acende. Se, em vez disso, o indicador verde de fim de carregamento (7) se acender, a bateria está muito quente e não pode ser carregada. Se isso acontecer, remova a bateria do carregador, deixe-a arrefecer durante, aproximadamente, 1 hora e insira-a de novo.

Depois de, aproximadamente, 1 hora de carregamento, o indicador vermelho de carga apaga-se e o indicador verde de final de carregamento acende-se. A bateria estará então completamente carregada.

- ◆ Retire a bateria do carregador.

Como ligar e desligar a ferramenta

- ◆ Para ligar a ferramenta, prima o interruptor de ligar/desligar (1).
- ◆ Para desligar a ferramenta, liberte o interruptor de ligar/desligar.

Sugestões para uma melhor utilização

- ◆ Segure no tubo do soprador cerca de 180 mm acima do solo aquando da sua operação.
- ◆ Faça um movimento firme de lado a lado. Avance suavemente mantendo os resíduos/folhas acumulados à sua frente (fig. D).
- ◆ Depois de soprar resíduos/folhas empilhando-os, são fáceis de eliminar.

Limpeza da ferramenta

Limpe regularmente a ferramenta.

Advertência! Mantenha a ferramenta seca. Não vaporize a ferramenta com água em nenhuma circunstância.

- ◆ Para limpar a ferramenta, utilize apenas um pano embebido numa solução de sabão suave.

Advertência! Não utilize qualquer tipo de detergente, limpador ou solvente pois podem conter químicos que danifiquem gravemente o plástico.

- ◆ São utilizados na ferramenta rolamentos de auto-lubrificação, por isso não é necessário efectuar a sua lubrificação.

Protecção do meio ambiente



Recolha em separado. Não deve deitar este produto fora juntamente com o lixo doméstico normal.

Caso chegue o momento em que um dos seus produtos Black & Decker precise de ser substituído ou decida desfazer-se do mesmo, não o deite fora juntamente com o lixo doméstico. Torne este produto disponível para uma recolha em separado.



A recolha em separado de produtos e embalagens utilizados permite que os materiais sejam reciclados e reutilizados. A reutilização de materiais reciclados ajuda a evitar a poluição ambiental e a reduzir a procura de matérias-primas.

Os regulamentos locais poderão providenciar a recolha em separado de produtos eléctricos junto das casas, em lixeiras municipais ou junto dos fornecedores ao adquirir um novo produto.

A Black & Decker oferece um serviço de recolha e reciclagem de produtos Black & Decker que tenha atingido o fim das suas vidas úteis. Para tirar proveito deste serviço, devolva seu produto a qualquer agente de reparação autorizado, que se encarregará de recolher o equipamento em nosso nome.

Para verificar a localização do agente de reparação mais próximo de si, contacte o escritório local da Black & Decker no endereço indicado neste manual. Se preferir, consulte a lista de agentes autorizados da Black & Decker e os dados completos dos nossos serviços de atendimento pós-venda na Internet no endereço: www.2helpU.com

Baterias



As baterias Black & Decker podem ser recarregadas inúmeras vezes. Quando atingirem o fim das suas vidas úteis, deite-as fora com o devido cuidado com o nosso meio ambiente.

- ◆ Descarregue completamente a bateria e remova-a do aparelho.
- ◆ As baterias NiCd, NiMH e Li-Ion são recicláveis. Entregue-as em qualquer agente de reparação autorizado ou numa estação de reciclagem local.

Dados técnicos

	GW180/ GW180NM	GW180P
Voltagem	V _{DC} 18	18
Peso (sem a bateria)	kg 2,2	2,2

Bateria

Voltagem	V _{DC} 18	18
Capacidade	Ah 1,5	1,7
Peso	kg 0,8	0,8

Carregador

Voltagem	V _{AC} 230	230
Tempo aproximado de carregamento	h 8	8
Peso	kg 0,4	0,4

Declaração de conformidade CE

GW180/GW180NM/GW180P

A Black & Decker declara que estes produtos estão em conformidade com a:

98/37/CE, 2006/95/CE, EN 50260, EN 61000, EN 60335 2000/14/CE, Soprador de folhas, 2,0 m³, Anexo V

Nível de potência sonora, medido de acordo com a norma 2000/14/CE:

L_{PA} (pressão acústica) 74 dB(A), imprecisão (K) 3 dB(A),
L_{WA} (potência acústica) 88 dB(A), imprecisão (K) 3 dB(A),
L_{WA} (com garantia) 90 dB(A), imprecisão (K) 3 dB(A)

Valor de vibração calculado na mão/braço de acordo com a norma

EN 60745 Annex K: 2,5 m/s²

O signatário é responsável pela compilação do ficheiro técnico e apresenta esta declaração em nome da Black & Decker.

Kevin Hewitt
Director de Engenharia do Consumo
Spennymoor, County Durham DL16 6JG,
Reino Unido
1-7-2008

Garantia

A Black & Decker confia na qualidade de seus produtos e oferece um programa de garantia excelente. Esta declaração de garantia soma-se aos seus direitos legais e não os prejudica em nenhum aspecto. A garantia será válida nos territórios dos Estados Membros da União Europeia e na Área de Livre Comércio da Europa.

Caso algum produto da Black & Decker apresente avarias devido a defeitos de material, mão-de-obra ou ausência de conformidade no prazo de 24 meses a partir da data de compra, a Black & Decker garantirá a substituição das peças defeituosas, a reparação dos produtos que foram submetidos a uso adequado e remoção ou substituição dos mesmos para assegurar o mínimo de inconvenientes ao cliente a menos que:

- ◆ O produto tenha sido utilizado para fins comerciais, profissionais ou aluguer;
- ◆ O produto tenha sido submetido a uso incorrecto ou descuido;
- ◆ O produto tenha sofrido danos causados por objectos estranhos, substâncias ou acidentes;
- ◆ Tenha um histórico de reparações efectuadas por terceiros que não sejam os agentes autorizados ou profissionais de manutenção da Black & Decker.

Para activar a garantia, será necessário enviar a prova de compra ao revendedor ou agente de reparação autorizado.

Para verificar a localização do agente de reparação mais próximo de si contacte o escritório local da Black & Decker no endereço indicado neste manual. Se preferir, consulte a lista de agentes autorizados da Black & Decker e os dados completos de nossos serviços de atendimento pós-venda na Internet no endereço: www.2helpU.com

Visite o nosso website www.blackanddecker.eu para registar o seu novo produto Black & Decker e para se manter actualizado sobre novos produtos e ofertas especiais.

Estão disponíveis mais informações sobre a Black & Decker e sobre a nossa gama de produtos em

www.blackanddecker.eu

Användningsområde

Din Black & Decker uppladdningsbara lövblåsare är avsedd till att blåsa löv och skräp. Verktöget är endast avsett för personligt bruk utomhus.

Din Black & Decker batteriladdare är avsedd för laddning av Black & Decker-batterier av den typ som medföljer verktöget.

Säkerhetsinstruktioner

- ◆ **Varning!** När man använder uppladdningsbara verktyg är det viktigt att man bl.a. följer nedanstående säkerhetsanvisningar för att minska risken för brand, batteriläckage, personskador och materialskador.
- ◆ Läs bruksanvisningen noggrant innan du använder verktöget.
- ◆ Spara bruksanvisningen lättillgängligt.

Håll arbetsområdet i ordning

Nedskräpade ytor och arbetsbänkar inbjuder till skador.

Tänk på arbetsmiljöns inverkan

Utsätt inte verktöget för regn. Använd inte verktöget på fuktiga eller våta platser. Ha bra belysning över arbetsytan. Använd inte verktöget där det finns risk för eldsvåda eller explosion, t.ex. i närheten av lättantändliga vätskor eller gaser.

Utom räckhåll för barn

Tillåt inte barn, besökande eller djur att komma i närheten av arbetsplatsen eller att röra vid verktöget.

Klä dig rätt

Bär inte löst hängande kläder eller smycken. De kan fastna i rörliga delar. Gummihandskar och halkfria skor rekommenderas vid utomhusarbeten. Använd hjälm om du har långt hår.

Skyddskläder

Använd alltid skyddsglasögon. Använd ansiktsmask om arbetet försäkras damm eller partiklar i luften. Använd hörselskydd om du besväras av ljudnivån.

Sträck dig inte för mycket

Se till att du alltid har säkert fotfäste och balans.

Var uppmärksam

Titta på det du gör. Använd sunt förnuft. Använd inte verktöget när du är trött.

Sätt fast arbetsstycket

Använd skruvvingar eller ett skruvstycke för att hålla fast arbetsstycket. Det är säkrare än att använda handen och du får bägge händerna fria för arbetet.

Anslut dammsugningsutrustning

Om möjligheter finns för anslutning av utrustning för dammsugning och dammuppsamling ska sådan utrustning anslutas och användas på korrekt sätt. OBS! Använd endast grovsugare.

Tag bort nycklar

Kontrollera att nycklar och justerverktyg har tagits bort från verktöget innan det startas.

Använd rätt verktyg

Använd inte verktöget för ändamål de inte är avsedda för. Tvinga inte verktöget att göra arbeten som är avsedda för kraftigare verktyg. Överbelasta inte verktöget.

Varning! Använd endast tillbehör och tillsatser som är rekommenderade i bruksanvisningen och katalogerna. Användning av annat verktyg eller tillbehör kan innebära risk för personskada.

Kontrollera verktöget för skador

Kontrollera verktöget för skador innan du använder det. Kontrollera att de rörliga delarna inte har fastnat eller är felmonterade. Kontrollera även att övriga delar och skydd inte är skadade och att det inte föreligger några andra fel som kan påverka verktögets funktion. Kontrollera att verktöget fungerar riktigt och kan utföra de avsedda funktionerna. Använd inte verktöget om fel uppstår på någon av dess delar. Använd inte verktöget om det inte kan kopplas till och från med strömbrytaren. Om fel uppstår skall delarna repareras eller bytas ut av en auktoriserad Black & Decker serviceverkstad. Försök aldrig reparera verktöget själv.

Tag ur batteriet

Tag ur batteriet när verktöget inte används samt före byte av någon del av verktöget, tillbehör eller tillsats och innan serviceåtgärder utförs.

Undvik oavsiktlig start

Bär aldrig verktöget med ett finger på strömbrytaren. Se till att verktöget är avstängt när du sätter i batteriet i verktöget.

Misshandla inte sladden

Bär aldrig laddaren i sladden och använd inte sladden för att dra ut kontakten. Utsätt inte sladden för värmekällor, olja eller skarpa kanter.

Förvara verktyg säkert

När verktöget inte används skall det samt batterierna och laddare förvaras på en torr plats utom räckhåll för barn.

Sköt verktöget med omsorg

Håll verktöget rent och använd skarpa tillbehör för bättre prestanda och säkrare drift. Följ instruktionerna beträffande skötsel och byte av tillbehör. Håll handtagen och strömbrytare torra, rena och fria från olja och fett.

Reparationer

Detta verktyg uppfyller gällande säkerhetskrav. Reparationer ska utföras av en auktoriserad Black & Decker serviceverkstad som använder originaldelar, annars kan användaren utsättas för stor fara.

Extra säkerhetsföreskrifter för batterier och laddare

Batterier

- ◆ Försök aldrig öppna batteriet.
- ◆ Utsätt inte batteriet för vatten.
- ◆ Förvara inte batteriet i utrymmen där temperaturen kan överstiga 40 °C.

- ◆ Ladda endast inom temperaturområdet 4 °C till 40 °C.
- ◆ Ladda endast med laddaren som medföljer (se tekniska data).
- ◆ Kontrollera före laddningen att batteriet är torrt och rent.
- ◆ Använd endast batterier avsedda för verktyget (se tekniska data).
- ◆ När batterierna kasseras skall instruktionerna i kapitlet "Miljö" följas.
- ◆ Under extrema förhållanden kan batteriläckage uppstå. Om du upptäcker vätska från batteriet skall följande iakttas:
 - Torka försiktigt bort vätskan med en trasa. Undvik kontakt med huden.
 - Vid kontakt med huden eller ögonen skall instruktionerna nedan följas.

Varning! Batterivätskan, en 25-30% lösning av kaliumhydroxid, kan vara skadlig. Vid kontakt med huden, spola omedelbart med vatten. Neutralisera med en svag syra, t ex citronjuice eller ättika. Vid kontakt med ögonen, skölj rikligt med vatten i minst 10 minuter. Kontakta läkare.

- ◆ Batteriet får ej eldas upp.
- ◆ Använd aldrig ett skadat batteri.

Laddare

- ◆ Använd Black & Decker-laddaren endast tillsammans med det batteri som medföljer verktyget. Andra typer av batterier kan explodera och förorsaka person- och materialskador.
- ◆ Försök aldrig ladda icke uppladdningsbara batterier.
- ◆ Byt genast ut skadade sladdar.
- ◆ Utsätt inte laddaren för vatten.
- ◆ Öppna inte laddaren.
- ◆ Gör ingen överkan på laddaren.



Endast avsedd för inomhusbruk.

Elektrisk säkerhet



Laddaren är dubbelisolerad; jordledare är således överflödigt. Kontrollera att laddarens spänning överensstämmer med nätspänningen. Försök aldrig att ersätta laddningsenheten med en vanlig nätkontakt.

Märken på verktyget

Följande symboler finns på verktyget:



Varning! För att minska risken för skador måste användaren läsa igenom bruksanvisningen.



Stäng av verktyget. Tag bort batteriet innan underhåll utförs på verktyget.

Extra säkerhetsanvisningar för blåsfäktar

Varning! Rikta inte apparaten mot personer eller djur medan den är igång.



Använd skyddsglasögon under arbetet med maskinen.

- ◆ Bär ansiktsmask eller dammskydd om verktyget används i en dammig omgivning.
- ◆ Undvik att utsätta verktyget för regn och hög luftfuktighet.
- ◆ Håll utloppsroren undan från ögon och öron under drift.
- ◆ Gå inte över grusgångar och placera inte verktyget på grus medan det löper.
- ◆ För aldrig in något föremål i öppningar eller rörliga delar.
- ◆ Stäng alltid av apparaten, tag ut batteriet och låt motorn löpa ut innan du avlägsnar blåsröret.
- ◆ Läs anvisningarna noggrant. Bekanta dig med reglagen och hur verktyget ska användas.
- ◆ Låt aldrig barn, eller personer som inte har läst denna bruksanvisning, använda verktyget. Lokala bestämmelser kan föreskriva en åldersgräns för bruk.
- ◆ Använd aldrig verktyget när människor, i synnerhet barn, eller djur är i närheten.
- ◆ Tänk på att användaren är ansvarig för skada eller risker för annan person eller annans egendom.

Förberedelse

- ◆ Gå aldrig barfota eller i öppna sandaler när du använder verktyget.
- ◆ Skydda fötter och ben genom att alltid använda kraftiga skor eller stövlar och långa byxor - nyklippt gräs är fuktigt och halt. Gummi- eller handgjorda skor ökar din säkerhet.

Varning! Använd verktyget endast för sitt avsedda ändamål.

Översikt

1. Strömbrytare
2. Handtag
3. Blåsrör
4. Batteri

Fig. A

5. Laddare
6. Laddningsindikator - laddning pågår
7. Laddningsindikator - full laddning

Montering

Varning! Tag alltid bort batteriet innan montering.

Montering och borttagning av batteri (fig. B)

- ◆ Montera batteriet (4) genom att rikta det efter hållaren på verktyget. Skjut sedan in batteriet i hållaren tills det klickar fast.

- ◆ Avlägsna batteriet genom att trycka på knappen (7) och dra ut batteriet ur hållaren.

Montering av blåsröret (fig. C)

Blåsröret måste monteras på blåshållaren före användning.

- ◆ Rikta in cirkelarna (8) på hållaren (9) och röret (3).
- ◆ Tryck fast röret ordentligt på hållaren tills cirkelarna knäpper fast.
- ◆ Vid förvaring kan blåsröret lossas från blåshållaren genom att trycka in cirkelarna på sidorna och försiktigt dra lös röret.

Användning

Varning! Överbelasta inte maskinen, låt den arbeta i sin egen takt.

- ◆ När batteriet (4) skall laddas tas det ur verktyget och placeras i laddaren (5). Det finns bara ett sätt att sätta batteriet i laddaren. Bruka inte våld. Kontrollera att batteriet sitter ordentligt i laddaren.
- ◆ Sätt in laddarens kontakt i vägguttaget.

8 timmes laddare

Batteriet är fulladdat efter cirka 8 timmar. Det kan antingen tas ut när som helst eller lämnas kvar i den anslutna laddaren under obegränsad tid.

1 timmes laddare

- ◆ Kontrollera att den röda laddningsindikatorn (6) tänds. Om den gröna laddningsindikatorn (7) lyser istället betyder det att batteriet är för varmt och inte kan laddas. Om detta händer ska batteriet tas ut ur laddaren och svalna under cirka 1 timma, varefter det placeras i laddaren igen.

Efter cirka 1 timmes laddning släcks den röda laddningsindikatorn och tänds den gröna indikatorn för avslutad laddning. Batteriet är nu fulladdat.

- ◆ Tag ut batteriet ur laddaren.

Start och stopp

- ◆ Tryck på strömbrytaren för att starta verktyget (1).
- ◆ Släpp strömbrytaren för att stänga av verktyget.

Råd för bästa resultat

- ◆ Håll blåsröret ca. 180 mm ovanför marken när du använder verktyget.
- ◆ För verktyget med svepande rörelser i sidled. Gå långsamt framåt så att du håller samlade blad och skräp framför dig (fig. D).
- ◆ När allt har blåsts samman i en hög är denna enkel att städa undan.

Rengöring

Rengör verktyget regelbundet.

Varning! Håll produkten torr. Under inga omständigheter får

den besprutas med vatten.

- ◆ Använd enbart milda tvålmedel och en fuktig trasa för att rengöra verktyget.

Varning! Använd ingen typ av rengörings- skur- eller lösningsmedel som kan innehålla kemikalier som kan skada plasthöljet.

- ◆ Produkten är försedd med självsmörjande lager, ingen vidare smörjning krävs.

Miljöskydd



Särskild insamling. Denna produkt får inte kastas bland vanliga hushållssopor.

Om du någon gång i framtiden behöver ersätta din Black & Decker-produkt med en ny, eller inte längre behöver den, ska du inte kasta den i hushållssoporna. Denna produkt skall lämnas till särskild insamling.



Efter insamling av använda produkter och förpackningsmaterial kan materialen återvinnas och användas på nytt. Användning av återvunna material skonar miljön och minskar förbrukningen av råvaror.

Enligt lokal lagstiftning kan det förekomma särskilda insamlingar av uttjänt elutrustning från hushåll, antingen vid kommunala miljöstationer eller hos detaljhandlaren när du köper en ny produkt.

Black & Decker erbjuder en insamlings- och återvinnings tjänst för Black & Decker-produkter när de en gång har tjänat ut. För att använda den här tjänsten lämnar du in produkten till en auktoriserad B & D -reparatör/representant som tar hand om den för din räkning.

Närmaste auktoriserad Black & Decker-representant finner du genom det lokala Black & Decker-kontoret på adressen i den här manualen. Annars kan du söka på Internet, på listan över auktoriserade Black & Decker-representanter och alla uppgifter om vår kundservice och andra kontakter. www.2helpU.com

Batterier



Black & Decker-batterierna kan laddas många gånger. Skydda miljön genom att lämna uttjänta batterier till avsedd uppsamlingsplats.

- ◆ Låt batteriet laddas ur helt och ta sedan bort det från verktyget.
- ◆ NiCd-, NiMH- och Li-Ion-batterier kan återvinnas. Lämna dem till inköpsstället eller den lokala återvinningsstationen.

Tekniska data

		GW180/ GW180NM	GW180P
Spänning	V _{DC}	18	18
Vikt (utan batteri)	kg	2,2	2,2

Batteri

Spänning	V _{DC}	18	18
Kapacitet	Ah	1,5	1,7
Vikt	kg	0,8	0,8

Laddare

Spänning	V _{AC}	230	230
Laddningstid cirka	tim	8	8
Vikt	kg	0,4	0,4

EC-förklaring om överensstämmelse

GW180/GW180NM/GW180P

Black & Decker förklarar att dessa produkter överensstämmer med:

98/37/EG, 2006/95/EG, EN 50260, EN 55014,
EN 61000, EN 60335
2000/14/EG, Lövbålsare, 2,0 m³, Annex V

Bullernivå, uppmätt enligt 2000/14/EG:

L_{PA} (bullernivå) 74 dB(A), avvikelse (K) 3 dB(A),
L_{WA} (akustisk effekt) 88 dB(A), avvikelse (K) 3 dB(A),
L_{WA} (garanterat) 90 dB(A), avvikelse (K) 3 dB(A)

Vägt vibrationsmedelvärde hand/arm enligt
EN 60745 Annex K: 2,5 m/s²

Undertecknad är ansvarig för sammanställningen av den tekniska filen och gör denna försäkran som representant för Black & Decker.



Kevin Hewitt
Director of Consumer Engineering
Spennymoor, County Durham DL16 6JG,
Storbritannien
1-7-2008

Garanti

Black & Decker garanterar att produkten är fri från material- och/eller fabriktionsfel vid leverans till kund. Garantin är i tillägg till konsumentens lagliga rättigheter och påverkar inte dessa. Garantin gäller inom medlemsstaterna i Europeiska Unionen och i det Europeiska Frihandelsområdet.

Om en Black & Decker produkt går sönder på grund av material- och/eller fabriktionsfel eller brister i överensstämmelse med specifikationen, inom 24 månader från köpet, åtar sig Black & Decker att reparera eller byta ut produkten med minsta besvär för kunden.

Garantin gäller inte för fel som beror på:

- ◆ Normalt slitage
- ◆ Felaktig användning eller skötsel
- ◆ Att produkten skadats av främmande föremål, ämnen eller genom olyckshändelse
- ◆ Garantin gäller inte om reparation har utförts av någon annan än en auktoriserad Black & Decker verkstad.

För att utnyttja garantin skall produkten och inköpskvittot lämnas till återförsäljaren eller till en auktoriserad verkstad senast 2 månader efter det att felet har upptäckts.

För information om närmaste auktoriserad verkstad; kontakta det lokala Black & Decker kontoret på den adress som är angiven i bruksanvisningen. En lista på alla auktoriserade verkstäder samt servicevillkor finns även tillgängligt på Internet, adress: www.2helpU.com

Besök vår webbplats www.blackanddecker.se för att registrera din nya Black & Decker-produkt samt för att erhålla information om nya produkter och specialerbjudanden. Vidare information om märket Black & Decker och vårt produktsortiment kan återfinnas på www.blackanddecker.se

Reservdelar / reparationer

Reservdelar finns att köpa hos auktoriserade Black & Decker verkstäder, som även ger kostnadsförslag och reparerar våra produkter.

Förteckning över våra auktoriserade verkstäder finns på Internet, vår hemsida www.blackanddecker.se samt www.2helpU.com

Bruksområder

Den batteridrevne blåseren fra Black & Decker er konstruert for å blåse løv og rusk. Verktøyet er kun beregnet på utendørs husholdningsbruk.

Din Black & Decker batterilader er konstruert for å lade Black & Decker batterier av den typen som leveres med verktøyet.

Sikkerhetsinstruksjoner

- ◆ **Advarsel!** Når du bruker oppladbare verktøy, må du følge en del grunnleggende sikkerhetsregler, se nedenfor, for å redusere faren for brann, batterilekkasjer, personskade og materialskade.
- ◆ Ta deg tid til å lese nøye gjennom bruksanvisningen før du begynner å bruke verktøyet.
- ◆ Oppbevar bruksanvisningen på et lett tilgjengelig sted.

Hold arbeidsområdet rent og ryddig

En uryddig arbeidsplass innbyr til skader.

Tenk på arbeidsmiljøets innvirkning

Utsett ikke verktøyet for regn. Bruk ikke verktøyet under våte eller fuktige forhold. Pass på at arbeidsområdet er godt opplyst. Bruk ikke verktøyet hvor det er fare for forårsaking av brann eller en eksplosjon, f. eks. i nærheten av brannfarlige væsker eller gasser.

Hold barn unna

Barn, besøkende eller dyr må ikke komme i nærheten av arbeidsområdet eller i kontakt med verktøyet.

Kle deg riktig

Ha ikke på deg løstsittende klær eller smykker. De kan sette seg fast i de bevegelige delene. Vi anbefaler gummihansker og sko som ikke gli når du arbeider utendørs. Bruk hårnnett hvis du har langt hår.

Personlig vern

Bruk vernebriller. Bruk en ansikts- eller støvmaske når operasjonene kan forårsake støv eller flyvende partikler. Bruk ørevern når støynivået virker ukomfortabelt.

Strekk deg ikke for langt

Pass på at du alltid har sikkert fotfeste og balanse.

Vær oppmerksom

Se på det du gjør. Bruk sunn fornuft. Bruk ikke maskinen når du er trett.

Sikre arbeidsstykket

Bruk tvinger eller skrustykker til å feste arbeidsstykket med. Dette er sikrere enn å bruke hånden, og du får begge hendene fri til å styre verktøyet.

Kople til støvutsugststyr

Hvis det følger med utstyr for tilkopping av støvutsug og støvoppsamling, må du sørge for at dette koples til og brukes riktig. Bruk kun industristøvsuger.

Fjern nøkler

Gjør det til vane å sjekke om nøkler og justeringsverktøy er fjernet før verktøyet startes.

Bruk riktig verktøy

Bruk ikke verktøyet til formål det ikke er ment for. Tving ikke en maskin til å gjøre arbeid som krever kraftigere verktøy. Overbelast ikke verktøyet.

Advarsel! Bruk bare tilbehør og utstyr som anbefales i bruksanvisningen og i katalogene. Bruk av annet verktøy eller tilbehør kan medføre en mulig risiko for personskade.

Sjekk verktøyet for skader

Kontroller verktøyet nøye for skade før bruk. Kontroller at de bevegelige delene ikke har satt seg fast eller er feilmontert. Kontroller også at de øvrige delene og beskyttelsene ikke er skadet og at det ikke foreligger noen andre feil som kan påvirke verktøyets funksjon. Kontroller at verktøyet fungerer som det skal og utfører beregnet funksjon. Bruk aldri verktøyet hvis noen av delene er skadet. Ikke bruk verktøyet hvis det ikke er mulig å slå det på og av med strømbryteren. Hvis feil oppstår skal delene repareres eller byttes ut av et autorisert Black & Decker serviceverksted. Prøv aldri å reparere selv.

Fjern batteriet

Ta ut batteriet når verktøyet ikke er i bruk, før du bytter noen av delene på verktøyet, tilbehør eller tilslutning og før vedlikehold.

Unngå utilsiktet start

Bær aldri verktøyet med fingeren på strømbryteren. Pass på at verktøyet er slått av når du setter inn batteriet.

Ikke mislighold ledningen

Bær aldri laderen i ledningen og bruk ikke ledningen for å dra ut kontakten. Utsett ikke ledningen for varme, olje, eller skarpe kanter.

Oppbevar verktøy på et trygt sted

Når det ikke er i bruk, må verktøy, batteri og lader oppbevares på et tørt sted, og slik at det ikke er tilgjengelig for barn.

Vær nøye med vedlikeholdet

Hold verktøyet rent og bruk skarpe tilbehør for bedre prestasjon og sikrere drift. Følg forskriftene når det gjelder vedlikehold og skifte av tilbehør. Hold håndtakene og brytere tørre, rene og fri for olje og fett.

Reparasjoner

Dette verktøyet overholder relevante sikkerhetskrav.

Reparasjoner må bare utføres av autoriserte Black & Decker serviceverksteder som benytter originale reservedeler, ellers kan det være farlig å bruke utstyret.

Ekstra sikkerhetsforskrifter for batterier og ladere

Batterier

- ◆ Må aldri åpnes.
- ◆ Må ikke komme i kontakt med vann.
- ◆ Må ikke oppbevares på steder hvor temperaturen kan overstige 40 °C.

- ◆ Må bare lades i lufttemperaturer mellom 4 °C og 40 °C.
- ◆ Lad bare med laderen som følger med verktøyet | (se tekniske data).
- ◆ Før opplading, pass på at batteriet er tørt og rent.
- ◆ Bruk bare den korrekte type batteri for verktøyet (se tekniske data).
- ◆ Når du kasserer batteriet, følger du instruksene som er gitt i seksjonen "Miljø".
- ◆ Under ekstreme forhold, kan batterielekkasje forekomme. Hvis du merker væske på batteriet, må du gjøre som følger:
 - Tørk forsiktig væsken med et støystykke. Unngå kontakt med huden.
 - I tilfeller hvor det oppstår kontakt med hud eller øyne, skal instruksjonene nedenfor følges.

Advarsel! Batterivæsken, en 25-30 % løsning av kaliumhydroksid, kan være skadelig. Hvis det oppstår berøring med hud, må du straks skylle med vann. Nøytraliser med en svak syre, f.eks. sitronsaft eller eddik. Hvis du får væsken i øynene, må du rense dem med rikelig rent vann i minst 10 minutter. Kontakt lege.

- ◆ Ikke brenn batteriet.
- ◆ Bruk aldri et skadet batteri.

Ladere

- ◆ Bruk din Black & Decker lader kun sammen med det batteriet som blir levert med verktøyet. Andre typer av batterier kan eksplodere og forårsake person- og materialskader.
- ◆ Forsøk aldri å lade ikke oppladbare batterier.
- ◆ Bytt straks ut defekte ledninger.
- ◆ Laderen må ikke komme i kontakt med vann.
- ◆ Laderen må ikke åpnes.
- ◆ Ikke skad eller mislighold laderen.



Kun tenkt for bruk innendørs.

Elektrisk sikkerhet



Laderen er dobbeltisolert. Jordet ledning er derfor ikke nødvendig. Kontroller at spenningen til laderen tilsvarer nettspenningen. Du må aldri forsøke å bytte laderen ut med et vanlig støpsel.

Etiketter på verktøyet

Følgende symboler befinner seg på verktøyet:



Advarsel! Bruker må lese bruksanvisningen for å redusere faren for skader.



Slå av verktøyet. Før det utføres noen form for vedlikehold av verktøyet, må batteriet tas ut.

Ekstra sikkerhetsinstruksjoner for blåsere

Advarsel! Ikke pek med verktøyet på personer eller dyr når det er slått på.



Ha på deg vernebriller når du bruker dette verktøyet.

- ◆ Bruk en ansiktsmaske eller støvmaske når apparatet brukes i støvete omgivelser.
- ◆ Ikke utsett verktøyet for regn eller høy fuktighet.
- ◆ Ikke plasser utløpsrør nær øynene eller ørene under drift.
- ◆ Mens verktøyet er slått på, må du ikke krysse grusganger eller plassere verktøyet på grusunderlag.
- ◆ Ikke stikk gjenstander inn i åpningene eller inn i de bevegelige delene.
- ◆ Før du fjerner blåseslangen må du alltid slå av verktøyet, fjerne batteriet og la verktøyet få løpe farten ut.
- ◆ Les instruksjonene nøye. Gjør deg kjent med funksjonene og riktig bruk av verktøyet.
- ◆ La aldri barn eller personer som ikke har lest denne bruksanvisningen benytte verktøyet. Det er mulig at lokale bestemmelser fastsetter en nedre aldersgrense for brukeren.
- ◆ Ikke bruk verktøyet mens andre mennesker, særlig barn, eller kjæledyr er i nærheten.
- ◆ Husk at brukeren vil holdes ansvarlig for ulykker eller skader som rammer andre mennesker eller deres eiendeler.

Klargjøring

- ◆ Bruk ikke verktøyet mens du bruker sandaler eller går barfoot.
- ◆ For å beskytte føtter og ben må du alltid bruke solide sko eller støvler og lange bukser - nyklipt gress er fuktig og glatt. Fottøy av gummi eller håndlagd fottøy øker sikkerheten.

Advarsel! Verktøyet må bare brukes på den måten det er beregnet på.

Oversikt

1. Strømbryter
2. Håndtak
3. Blåserør
4. Batteri
5. Lader
6. Ladeindikator - lading pågår
7. Ladeindikator - lading fullført

Fig. A

Montering

Advarsel! Før montering må du alltid ta ut batteriet.

Montere og fjerne batteriet (fig. B)

- ◆ Når du skal sette i batteriet (4), holder du det på høyde med holderen på verktøyet. Skyv batteriet inn i holderen, og trykk til det sitter på plass.
- ◆ Når du skal fjerne batteriet, trykker du på de to utløserknappene (7) samtidig, mens du drar batteriet ut av holderen.

Koble til blåserøret (fig. C)

Blåserøret må monteres på hendelenheten før bruk.

- ◆ Sett sirkelene (8) på hendelenheten (9) og røret (3) på linje.
- ◆ Skyv røret helt inn på hendelenheten til sirkelene klikker på plass.
- ◆ Ved oppbevaring kan blåserøret koples fra blåsehendelenheten ved å trykke ned på sirkelene på sidene og forsiktig trekke røret av.

Bruk

Advarsel! La verktøyet jobbe med sin egen hastighet. Ikke overbelast det.

- ◆ For å lade batteriet (4), ta det ut av verktøyet og sett det inn i laderen (5). Det er bare en måte å plassere batteriet inn i laderen. Ikke bruk makt. Kontroller at batteriet ligger ordentlig på plass i laderen.
- ◆ Sett laderens kontakt i vegguttaket.

8-timers lader

Batteriet blir ferdig ladet på ca. 8 timer. Det kan fjernes når som helst, eller det kan stå i den tilkoblede laderen på ubestemt tid.

1-timers lader

- ◆ Sjekk om den røde ladeindikatoren (6) lyser. Hvis den grønne ladeindikatoren (7) lyser i stedet, er batteriet for varmt og kan ikke lades. Hvis dette skjer, tar du batteriet ut av laderen, lar det avkjøles i 1 time og setter det inn igjen.

Etter ca. 1 times lading vil den røde ladeindikatoren slukkes og den grønne ladeindikatoren tennes. Batteriet er nå ferdig oppladet.

- ◆ Ta batteriet ut av laderen.

Start og stopp

- ◆ Trykk på strømbryteren (1) for å slå verktøyet på.
- ◆ Slipp strømbryteren for å slå verktøyet av.

Råd for optimalt resultat

- ◆ Hold blåserøret ca. 180 mm over bakken når du bruker verktøyet.
- ◆ Bruk en sveipende bevegelse fra side til side. Gå langsomt fremover mens du holder det oppsamlede rusket/løvet foran deg (fig. D).
- ◆ Etter at du har blåst rusket/løvet i en haug, er det enkelt å kvitte seg med det.

Rengjøre verktøyet

Gjør verktøyet rent med jevne mellomrom.

Advarsel! Hold produktet tørt. Det må under ingen omstendigheter spyles med vann.

- ◆ Bruk kun mild såpe og en fuktig klut til å rengjøre verktøyet.

Advarsel! Ikke bruk noen type vaskemiddel, rengjøringsmiddel eller løsemiddel som kan inneholde kjemikalier som kan forårsake alvorlig skade på platen.

- ◆ Produktet ditt er utstyrt med selvmørende lagre, så det må ikke smøres.

Miljøvern



Kildesortering. Dette produktet må ikke kastes i det vanlige husholdningsavfallet.

Hvis du finner ut at Black & Decker-produktet ditt må skiftes ut, eller hvis du ikke lenger har bruk for det, må du unnlate å kaste det sammen med det vanlige husholdningsavfallet. Sørg for at dette produktet gjøres tilgjengelig for kildesortering.



Kildesortering av brukte produkter og emballasje gjør det mulig å resirkulere materialer og bruke dem igjen. Gjenbruk av resirkulerte materialer bidrar til å forhindre forsøpling av miljøet og reduserer behovet for råmaterialer.

Lokale regelverk kan legge tilrette for kildesortering av elektriske produkter fra husholdningen, ved kommunale deponier eller gjennom forhandleren når du kjøper et nytt produkt.

Black & Decker har tilrettelagt for innsamling og resirkulering av Black & Decker-produkter etter at de har utspilt sin rolle. Ønsker du å benytte deg av denne tjenesten, returnerer du produktet ditt til et autorisert serviceverksted, som tar det imot og formidler det videre.

Du kan få adressen til ditt nærmeste autoriserte serviceverksted ved å kontakte ditt lokale Black & Decker-kontor på adressen oppgitt i denne håndboken. Du kan også finne en komplett liste over autoriserte Black & Decker-serviceverksteder og utfyllende informasjon om vår etter salg-service og kontaktnumre på Internett på følgende adresse:

www.2helpU.com

Batterier



Black & Decker-batterier kan lades mange ganger. Beskytt miljøet ved å levere kasserte batterier til kildesortering:

- ◆ Kjør batteriet til det er helt flatt og ta det så ut av verktøyet.
- ◆ NiCd-, NiMH- og Li-Ion-batterier kan resirkuleres. Ta dem med til en hvilken som helst autorisert forhandler eller en lokal kildesorteringsstasjon.

Tekniske data

		GW180/ GW180NM	GW180P
Spenning	V_{DC}	18	18
Vekt (uten batteri)	kg	2,2	2,2

Batteri

Spenning	V_{DC}	18	18
Kapasitet	Ah	1,5	1,7
Vekt	kg	0,8	0,8

Lader

Spenning	V_{AC}	230	230
Ladetid, ca	timer	8	8
Vekt	kg	0,4	0,4

Samsvarserklæring for EU

GW180/GW180NM/GW180P

Black & Decker erklærer at disse produktene overholder:

98/37/EF, 2006/95/EF, EN 50260, EN 55014,

EN 61000, EN 60335

2000/14/EF, Løvbåser, 2,0 m³, Vedlegg V

Lydnivået, målt i henhold til 2000/14/EF:

L_{pA} (lydtrykk) 74 dB(A), usikkerhet (K) 3 dB(A),

L_{WA} (akustisk effekt) 88 dB(A), usikkerhet (K) 3 dB(A),

L_{WA} (garantert) 90 dB(A), usikkerhet (K) 3 dB(A)

Hånd/arm-vektet vibrasjonsverdi i henhold til

EN 60745 Annex K: 2,5 m/s²

Undertegnede er ansvarlig for sammenstillingen av den tekniske filen og avgir denne erklæringen på vegne av Black & Decker.



Kevin Hewitt

Adm. dir. for forbrukerteknikk

Spennymoor, County Durham DL16 6JG,

Storbritannia

1-7-2008

Reservdeler / reparasjoner

Reservdeler kan kjøpes hos autoriserte Black & Decker serviceverksteder, som også gir kostnadsoverslag og reparerer våre produkter.

Oversikt over våre autoriserte serviceverksteder finnes på Internet, vår hjemmeside www.blackanddecker.no samt www.2helpU.com

Garanti

Black & Decker garanterer at produktet ikke har material- og/eller fabrikkasjonsfeil ved levering til kunde. Garantien er i tillegg til kundens lovlige rettigheter og påvirker ikke disse. Garantien gjelder innen medlemsstatene i den Europeiske Unionen og i det Europeiske Frihandelsområdet.

Hvis et Black & Decker produkt går i stykker på grunn av material- og/eller fabrikkasjonsfeil eller har mangler i forhold til spesifikasjonene, innen 24 måneder fra kjøpet, påtar Black & Decker seg å reparere eller bytte ut produktet med minst mulig vanskelighet for kunden.

Garantien gjelder ikke for feil som kommer av:

- ◆ normal slitasje
- ◆ feilaktig bruk eller vedlikehold (mislighold)
- ◆ at produktet har blitt skadet av fremmede gjenstander, emner eller ved et uhell

Det gjøres oppmerksom på at produktet ikke er beregnet på industriell/profesjonell/yrkesmessig bruk, men til hus- og hjemmebruk.

Garantien gjelder ikke om reparasjoner har blitt utført av noen andre enn et autorisert Black & Decker serviceverksted.

For å ta garantien i bruk skal produktet og kjøpekvittring leveres til forhandleren eller til et autorisert serviceverksted senest 2 måneder etter at feilen har blitt oppdaget.

For informasjon om nærmeste autoriserte serviceverksted; kontakt det lokale Black & Decker kontoret på den adressen som er angitt i bruksanvisningen. En oversikt over alle autoriserte serviceverksteder samt servicevilkår finnes også tilgjengelig på Internet, adresse: www.2helpU.com

Vennligst stikk innom våre nettsider på www.blackanddecker.no for å registrere ditt nye Black & Decker-produkt og for å holde deg oppdatert om nye produkter og spesialtilbud. Du finner mer informasjon om Black & Decker og produktutvalget vårt på www.blackanddecker.no

Anvendelsesområde

Din Black & Decker batteridrevne blæser er designet til blæsning af blade og snavs. Dette værktøj er kun beregnet til privat udendørs brug.

Black & Decker laderen er designet til opladning af samme Black & Decker batterier, som leveres med dette værktøj.

Sikkerhedsinstruktioner

- ◆ **Advarsel!** Ved brug af genopladeligt værktøj skal de grundlæggende sikkerhedsforanstaltninger, herunder de følgende, altid følges, således at risikoen for brand, lækkende batterier og person- og materialeskader begrænses.
- ◆ Læs denne brugsanvisning igennem, inden værktøjet tages i brug.
- ◆ Opbevar brugsanvisningen let tilgængeligt.

Hold arbejdsområdet i orden

Uordentlige arbejdsområder og arbejdsbænke indbyder til skader.

Tænk på arbejdsmiljøets indflydelse

Udsæt ikke værktøjet for regn. Anvend ikke værktøjet på fugtige eller våde pladser. Sørg for en god belysning over arbejdsområdet. Anvend ikke værktøjet hvor der eksisterer risiko for at brand kan opstå eller eksplosioner forekomme, som følge af brug af værktøjet. F. eks. aldrig i nærheden af let antændelige væsker eller gasser.

Hold børnene på afstand

Børn, besøgende eller dyr må ikke nærme sig arbejdsområdet eller røre ved værktøjet.

Klæd dig rigtigt på

Bær ikke løst hængende tøj eller smykker. Det kan sidde fast i bevægelige dele. Gummihandsker og skridsikre sko anbefales ved udendørs arbejde. Brug håret, hvis du har langt hår.

Personlig beskyttelse

Brug beskyttelsesbriller. Brug ansigts- eller støvmaske, når brug af værktøjet kan medføre støv eller flyvende partikler. Brug høreværn, når lydniveauet virker generende.

Stræk dig ikke for meget

Sørg for, at du altid har sikkert fodfæste og balance.

Vær opmærksom

Se på det, du gør. Brug din sunde fornuft. Brug ikke værktøjet, når du er træt.

Sæt arbejdsemnet fast

Brug skruetvinger eller skruestik for at spænde arbejdsemnet fast. Det er sikrere end at bruge hånden, og du får begge hænder fri til arbejdet.

Tilslut støvudsugningsudstyret

Hvis der findes enheder til tilslutningsfunktionerne støvudsugning og støvopsamling, skal man sørge for, at disse tilsluttes og bruges korrekt.

Fjern nøglerne

Kontroller at nøgler og justerværktøj er fjernet fra værktøjet, inden det startes.

Brug det rigtige værktøj

Brugen af værktøjet er beskrevet i denne brugsanvisning.

Tving ikke elværktøj til at udføre arbejde, som er beregnet til kraftigere værktøj. Brug kun tilbehør og dele, der er anbefalet i brugsanvisningen og katalogerne. Værktøjet må ikke forceres.

Advarsel! Anvendelsen af andet tilbehør eller udførelse af opgaver med andet værktøj end det her anbefalede kan medføre risiko for personskader.

Kontrollér værktøjet for skader

Kontrollér omhyggeligt værktøjet for beskadigelser, før du bruger det. Check de bevægelige dele for skæv indstilling og sammenbrændinger, kontrollér for brud på dele, skader på skærme og kontakter samt alt andet, der kan påvirke værktøjets funktion. Kontrollér, at værktøjet fungerer rigtigt og kan udføre det arbejde, det er beregnet til. Værktøjet må ikke benyttes, hvis en af delene er beskadiget eller defekt. Brug ikke værktøjet, hvis det ikke kan tændes og slukkes ved afbryderen. Skadede eller defekte dele skal repareres eller udskiftes af en autoriseret tekniker. Man må aldrig forsøge selv at reparere værktøjet.

Fjern batteriet

Fjern batteriet når værktøjet er ude af brug og før udskiftning af enhver værktøjsdel, tilbehør eller andet udstyr.

Undgå utilsigtet start af værktøjet

Man må ikke bære værktøjet med en finger på tænd/sluk knappen. Kontrollér at værktøjet er slukket, når du sætter et batteri i værktøjet.

Vær forsigtig med ledningen

Laderen må aldrig bæres i ledningen eller tages ud af stikkontakten ved at rive i ledningen. Ledningen skal holdes på afstand fra varme, olie og skarpe kanter.

Opbevar værktøjet sikkert, når det ikke bruges

Når værktøj, batterier og oplader ikke er i brug, skal de opbevares indelåst eller højt placeret et tørt sted uden for børns rækkevidde.

Vedligehold værktøjet omhyggeligt

Skærende værktøj skal holdes skarpe og rene, for på denne måde at opnå et bedre og mere sikkert brug. Følg vedligeholdelsesvejledningen samt vejledningen til udskiftning af tilbehør. Hold håndtagene og knapperne tørre, rene og fri for olie og fedt.

Reparationer

Dette værktøj opfylder de relevante sikkerhedskrav. Reparationer må kun foretages af dertil kvalificerede personer, som bruger originale reservedele. I modsat fald kan der opstå betydelig fare for brugeren.

Yderligere sikkerhedsanvisninger til batterier og ladere

Batterier

- ◆ Man må aldrig åbne et batteri.
- ◆ Det må ikke udsættes for vand.
- ◆ Det må ikke opbevares i lokaler, hvor temperaturen overstiger 40 °C.
- ◆ Det må kun oplades ved omgivelsestemperaturer mellem 4 °C og 40 °C.
- ◆ Oplad kun med den vedlagte lader (se tekniske data).
- ◆ Før opladning skal man sikre sig, at batteriet er tørt og rent.
- ◆ Benyt kun de til værktøjet beregnede batterier (se tekniske data).
- ◆ Ved kassering af batterier, skal man følge vejledningen givet i afsnittet "Miljø".
- ◆ Under ekstreme forhold kan der forekomme batteriutæthed. Hvis man opdager væske på batteriet, skal man gå frem på følgende måde:
 - Tør forsigtigt væsken af med en klud. Undgå kontakt med huden.
 - I tilfælde af at væsken kommer i kontakt med huden, skal man følge nedenstående vejledning.

Advarsel! Batterivæsken, en 25-30% opløsning af kaliumhydroksid, kan være skadelig. Ved hudkontakt skal der omgående skylles med vand. Neutraliser med en mild syre såsom citronsaft eller eddike. Ved øjenkontakt skylles med rigeligt vand i mindst 10 minutter. Opsøg læge.

- ◆ Brænd ikke batteriet.
- ◆ Oplad ikke et beskadiget batteri.

Ladere

- ◆ Din Black & Decker lader må kun benyttes til Black & Decker batterier af samme slags, som de med værktøjet leverede batterier. Andre batterier kan eksplodere og medføre personskader.
- ◆ Man må aldrig forsøge at oplade ikke opladelige batterier.
- ◆ Defekte ledninger skal straks udskiftes.
- ◆ Laderen må ikke udsættes for vand.
- ◆ Laderen må ikke åbnes.
- ◆ Laderen må ikke manipuleres.



Kun beregnet til indendørs brug.

Elektrisk sikkerhed



Laderen er dobbelt isoleret; jordledning er derfor ikke påkrævet. Kontroller, om laderens spænding svarer til lysnettets spænding. Forsøg aldrig at udskifte laderenheden med et almindeligt netstik.

Etiketter på værktøjet

Følgende piktogrammer ses på værktøjet:



Advarsel! For at mindske risikoen for skader skal brugeren læse instruktionsmanualen.



Sluk for værktøjet. Før udførelse af vedligeholdelsesopgaver på værktøjet skal batteriet fjernes.

Yderligere sikkerhedsvejledninger om blæsere

Advarsel! Brug aldrig værktøjet til at pege på andre mennesker eller dyr, når det er tændt.



Det anbefales at bære sikkerhedsbriller, når man arbejder med dette værktøj.

- ◆ Brug en ansigts- eller støvmaske, når arbejdet foregår i støvfyldte omgivelser.
- ◆ Udsæt ikke værktøjet for regn eller høj fugtighed.
- ◆ Anbring ikke udledningsrørene i nærheden af øjne eller ører, når blæseren kører.
- ◆ Gå ikke hen over grusstier, og anbring ikke værktøjet på grus, mens det er tændt.
- ◆ Der må ikke anbringes genstande i åbninger og bevægelige dele.
- ◆ Før du fjerner blæserøret, skal du altid slukke for værktøjet, fjerne batteriet og lade værktøjet køre ned.
- ◆ Læs vejledningen omhyggeligt. Vær fortrolig med knapper og funktioner, samt hvordan apparatet bruges korrekt.
- ◆ Tillad ikke, at børn eller personer, der ikke har læst denne brugsanvisning, bruger apparatet. Lokal lovgivning kan begrænse brugerens alder.
- ◆ Lad være med at bruge apparatet, når mennesker, især børn eller dyr, er i nærheden.
- ◆ Husk, at brugeren kan gøres ansvarlig for ulykker eller skader, der påføres andre personer eller deres ejendom.

Klargøring

- ◆ Man må ikke arbejde værktøjet, mens man har åbne sandaler på eller er barfodet.
- ◆ Beskyt fødder og ben. Brug altid solide sko eller støvler og lange bukser - friskslået græs er fugtigt og glat. Gummifodtøj eller håndlavet fodtøj forbedrer din sikkerhed.

Advarsel! Du må kun bruge værktøjet til det formål, som det er beregnet til.

Oversigt

1. Afbryder
2. Håndtag
3. Blæserør
4. Batteri

Fig. A

5. Lader
6. Opladningsindikator - "ladning i gang"
7. Opladningsindikator - "fuld ladning"

Montering

Advarsel! Før montering skal batteriet altid afmonteres.

Isætning og udtagning af batteriet (fig. B)

- ◆ Sæt batteriet (4) i ved at placere det på linje med værktøjets batteriholder. Dernæst placeres batteriet i holderen og skubbes på plads.
- ◆ Tag batteriet ud ved at trykke på udløserknappen (7) samtidig med, at batteriet tages ud af batteriholderen.

Tilslutning af blæserøret (fig. C)

Blæserøret skal sættes sammen med blæsegrabben før brug.

- ◆ Cirklerne (8) på blæsegrabben (9) og røret (3) skal flugte.
- ◆ Skub røret fast i blæsegrabben, indtil cirklerne falder på plads med et klik.
- ◆ For opbevaring kan blæserøret tages af blæsegrabben. Tryk cirklerne i hver side ned og skub forsigtigt røret af.

Anvendelse

Advarsel! Lad værktøjet arbejde i dets eget tempo. Det må ikke overbelastes.

- ◆ For at oplade batteriet (4), fjernes det fra værktøjet og sættes ind i laderen (5). Batteriet kan kun sættes ind på én måde. Man må ikke tvinge det. Man skal sikre sig, at batteriet er fuldstændig indsat i laderen.
- ◆ Sæt laderen i stikkontakten.

8-times oplader

Batteriet er fuldt opladet efter ca. 8 timer. Det kan fjernes på et hvilket som helst tidspunkt eller efterlades i den tilsluttede oplader, så længe det skal være.

1-times oplader

- ◆ Check, at den røde opladningsindikator (6) lyser. Hvis den grønne ende af opladningsindikatoren (7) lyser, betyder det, at batteriet er for varmt og derfor ikke kan oplades. Hvis dette sker, fjernes batteriet fra opladeren og køles ned i ca. 1 time, hvorefter det kan sættes i opladeren igen.

Efter ca. 1 times opladning holder den røde opladningsindikator op med at lyse, og den grønne ende af opladningsindikatoren lyser. Batteriet er nu fuldt opladet.

- ◆ Fjern batteriet fra opladeren.

Start og stop

- ◆ Tænd for værktøjet ved at trykke på afbryderen (1).
- ◆ Slip tænd-/slukknappen for at slukke værktøjet.

Gode råd til optimalt brug

- ◆ Hold blæserøret ca. 180 mm over underlaget, når du betjener værktøjet.
- ◆ Brug en fejende bevægelse fra side til side. Gå langsomt frem, idet du holder det opsamlende snavs og blade foran dig (fig. D).
- ◆ Efter blæsning af snavs og blade i en stor bunke er det let at bortskaffe bunken.

Rengøring af værktøjet

Regelmæssig rengøring af værktøjet

Advarsel! Hold produktet tørt. Det må under ingen omstændigheder sprøjtes med vand.

- ◆ Brug kun mild sæbe på en fugtig klud til rengøring af værktøjet.

Advarsel! Brug ikke rengøringsmidler, rense- eller opløsningsmidler, der kan indeholde kemikalier, som kan skade plasten.

- ◆ Der bruges selvmørende lejer i vores produkt, og derfor skal det ikke smøres.

Beskyttelse af miljøet



Separat indsamling. Dette produkt må ikke bortskaffes sammen med almindeligt husholdningsaffald.

Hvis du en dag skal udskifte dit Black & Decker produkt, eller hvis du ikke skal bruge det længere, må du ikke bortskaffe det sammen med husholdningsaffald. Dette produkt skal være tilgængeligt for separat indsamling.



Separat indsamling af brugte produkter og emballage gør det muligt at genbruge materialer. Genbrugte materialer forebygger miljøforurening og nedbringer behovet for råstoffer.

Lokale regler kan give mulighed for separat indsamling af elektriske husholdningsprodukter på kommunale lossepladser eller hos den forhandler, som du købte produktet af.

Black & Decker har en facilitet til indsamling og genbrug af Black & Decker-produkter, når deres levetid er slut. Få fordelene ved denne service ved at returnere produktet til en autoriseret tekniker, der samler værktøj sammen på vores vegne.

Du kan få oplyst den nærmeste autoriserede tekniker ved at kontakte det lokale Black & Decker-kontor på den adresse, der er angivet i denne brugsanvisning. Alternativt findes der en liste over autoriserede Black & Decker-teknikere og oplysninger om vores eftersalgsservice og kontaktpersoner på Internettet på adressen: www.2helpU.com

Batterier



Black & Decker batterier kan oplades mange gange. Ved endt teknisk levetid skal man kassere dem med omtanke for miljøet:

- ◆ Afled batteriet fuldstændigt, og fjern det derefter fra værktøjet.
- ◆ NiCd-, NiMH- og Li-Ion-batterier kan genbruges. Bring dem til en autoriseret tekniker eller en lokal genbrugscentral.

Tekniske data

	GW180/ GW180NM	GW180P
Spænding	V _{DC} 18	18
Vægt (uden batteri)	kg 2,2	2,2

Batteri

Spænding	V _{DC} 18	18
Kapacitet	Ah 1,5	1,7
Vægt	kg 0,8	0,8

Lader

Spænding	V _{AC} 230	230
Opladningstid (ca.)	t 8	8
Vægt	kg 0,4	0,4

EU overensstemmelseserklæring

GW180/GW180NM/GW180P

Black & Decker erklærer, at disse produkter er i overensstemmelse med følgende:
98/37/EF, 2006/95/EF, EN 50260, EN 61000, EN 60335
2000/14/EF, Bladblæser, 2,0 m³, Annex V

Lydniveauet i henhold til 2000/14/EF:

L_{PA} (lydtryk) 74 dB(A), usikkerhed (K) 3 dB(A),
L_{WA} (akkustisk kraft) 88 dB(A), usikkerhed (K) 3 dB(A),
L_{WA} (garanteret) 90 dB(A), usikkerhed (K) 3 dB(A)

Hånd/arm vægtet vibrationsværdi i henhold til
EN 60745 Annex K: 2,5 m/s²

Undertegnede er ansvarlig for kompilering af den tekniske fil og laver denne erklæring på vegne af Black & Decker.

Kevin Hewitt

Director of Consumer Engineering
Spennymoor, County Durham DL16 6JG,
Storbritannien
1-7-2008

Reserve dele / reparationer

Reserve dele kan købes hos autoriserede Black & Decker serviceværksteder, som giver forslag til omkostninger og reparerer vore produkter. Oversigt over vore autoriserede værksteder findes på internettet på vor hjemmeside www.blackanddecker.dk samt www.2helpU.com

Garanti

Black & Decker garanterer, at produktet er fri for materielle skader og/eller fabriktionsfejl ved levering til kunden. Garantien er et tillæg til konsumentens lovlige rettigheder og påvirker ikke disse. Garantien gælder indenfor medlemsstaterne af den Europæiske Union og i det Europæiske Frihandelsområde.

Hvis et Black & Decker produkt går i stykker på grund af materiel skade og/eller fabriktionsfejl eller på anden måde ikke fungerer i overensstemmelse med specifikationen, inden for 24 måneder fra købsdatoen, påtager Black & Decker sig at reparere eller ombytte produktet med mindst muligt besvær for kunden.

Garantien gælder ikke for fejl og mangler, der er sket i forbindelse med:

- ◆ normal slitage
- ◆ uheldige følger efter unormal anvendelse af værktøjet
- ◆ overbelastning, hærværk eller overdrevent intensivt brug af værktøjet
- ◆ ulykkehændelse

Garantien gælder ikke hvis reparationer er udført af nogen anden end et autoriseret Black & Decker værksted.

For at udnytte garantien skal produktet og købskvitteringen indleveres til forhandleren eller til et autoriseret værksted, senest 2 måneder efter at fejlen opdages. For information om nærmeste autoriserede værksted: kontakt det lokale Black & Decker kontor på den adresse som er opgivet i brugsanvisningen. Liste over alle autoriserede Black & Decker serviceværksteder samt servicevilkår er tilgængelig på internettet, på adressen **www.2helpU.com**

Gå venligst ind på vores website **www.blackanddecker.dk** for at registrere dit nye produkt og for at blive holdt ajour om nye produkter og specialtilbud. Der findes yderligere oplysninger om mærket Black & Decker og vores produktsortiment på adressen **www.blackanddecker.dk**

Käyttötarkoitus

Black & Deckerin akkukäyttöinen puhallin on suunniteltu lehtien ja roskien puhaltamiseen. Kone on tarkoitettu kuluttajakäyttöön ulkona.

Black & Deckerin laturi on suunniteltu tämän työkalun mukana toimitetun Black & Decker -akun lataamiseen.

Turvallisuusohjeet

- ◆ **Varoitus!** Akkukäyttöisiä koneita käytettäessä on aina noudatettava mm. seuraavia turvallisuusohjeita, jotta tulipalojen, akkuvuotojen, henkilövahinkojen ja materiaalivaurioiden riski olisi mahdollisimman pieni.
- ◆ Lue käyttöohje huolellisesti ennen koneen käyttöönottoa.
- ◆ Säilytä käyttöohje kaikkien koneen käyttäjien ulottuvilla.

Pidä työskentelyalue siistinä

Poista roskat ja mahdolliset esteet työskentelyalueelta välttyäksesi vaurioilta.

Ajattele työskentelyalueen vaikutusta työhösi

Älä altista konetta sateelle äläkä käytä sitä kosteissa tai märissä paikoissa. Järjestä työskentelyalueelle hyvä valaistus. Älä käytä konetta paikassa, jossa on tulipalo- tai räjähdysvaara, esim. palavien nesteiden tai kaasujen läheisyydessä.

Työskentele lasten ulottumattomissa

Älä anna lasten, vieraiden tai eläinten tulla lähelle työskentelyaluetta tai koskea koneeseen.

Pukeudu asianmukaisesti

Älä käytä liian väljiä vaatteita tai koruja. Ne voivat tarttua liikkuviin osiin. Käytä ulkona työskennellessäsi kumihansikkaita ja liukumattomia kenkiä. Jos sinulla on pitkät hiukset, käytä hiusverkkoa.

Suojavaatetus

Käytä aina suojalaseja. Käytä kasvosuojaa, jos työskennellessä syntyy pölyä tai hiukkasia. Käytä kuulosuojaimia, jos melutaso tuntuu epämukavalta.

Älä kurottele

Seiso aina tukevasti ja tasapainossa.

Ole tarkkaavainen

Keskity työhösi. Käytä tervettä järkeä. Älä käytä työkalua, kun olet väsynyt.

Kiinnitä työstökappale kunnolla

Käytä ruuvipuristinta tai -kappaletta, jotta työstökappale pysyy kunnolla kiinni. Näin saat molemmat kädet vapaaksi työhön.

Liitä pölynpoistolaitte

Jos laitteissa on liitäntä pölynpoisto- ja pölynkeräyslaitteistolle, varmista, että ne on kiinnitetty ja niitä käytetään oikein.

HUOM! Käytä ainoastaan teollisuuspölynimuria.

Poista avaimet

Poista säätöavaimet ja asennustyökalut koneesta ennen kuin käynnistät sen.

Käytä oikeaa konetta

Käytä konetta ainoastaan sellaiseen työhön, johon se on

tarkoitettu. Käytä vain käyttöohjeessa ja tuotekuvastossa suositeltuja tarvikkeita ja lisälaitteita. Jonkin muun laitteen käyttö voi aiheuttaa onnettomuuden. Älä ylikuormita konetta.

Tarkista, että kone on kunnossa

Tarkista ennen käyttöä, ettei kone ole vaurioitunut. Tarkista, etteivät liikkuvat ja muut osat sekä suoja ole viallisia, ja että kaikki muut käyttöön mahdollisesti vaikuttavat tekijät ovat kunnossa. Varmista, että kone toimii oikein ja täyttää tehtävänsä. Älä käytä konetta, jos jokin sen osista on viallinen. Älä käytä konetta, jos se ei käynnisty ja pysähdy virrankatkaisijasta. Viallinen osa tulee korjata tai vaihtaa valtuutetussa Black & Deckerin huoltoiliikkeessä. Älä koskaan yritä korjata konetta itse.

Poista akku

Poista akku, kun konetta ei käytetä, ennen minkään koneen osan, tarvikkeen tai lisälaitteen vaihtamista, sekä ennen huoltoa.

Vältä tahatonta käynnistämistä

Älä koskaan kanno konetta sormet kiinni virrankatkaisijassa. Varmista, että työkalu on kytketty pois päältä, kun laitat akun työkaluun.

Huolehdi johdon kunnosta

Älä koskaan kanno laturia johdosta äläkä irrota pistoketta virtalähteestä vetämällä johdosta. Suojaa johto kuumuudelta, öljyltä ja teräviltä reunoilta.

Säilytä konetta oikein

Kun kone ei ole käytössä, sen ja akun tulee olla varastoituna kuivaan paikkaan lasten ulottumattomissa.

Hoida työkalua huolellisesti

Pidä työkalu puhtaana ja käytä teräviä teriä tehokasta ja turvallista työskentelyä varten. Noudata huollosta ja tarvikkeiden vaihdosta annettuja ohjeita. Pidä virrankatkaisija ja kädensijat kuivina ja puhtaina öljystä ja rasvasta.

Korjaukset

Tämä kone täyttää voimassa olevat turvallisuusvaatimukset. Korjauksia saa tehdä vain Black & Deckerin valtuuttama huoltoilike, joka käyttää alkuperäisosia. Muussa tapauksessa käyttäjä saattaa joutua vaaratilanteisiin.

Lisäturvaohjeet akuille ja laturille

Akut

- ◆ Älä koskaan yritä avata akkua.
- ◆ Älä altista akkua vedelle.
- ◆ Älä säilytä akkua paikassa, jonka lämpötila ylittää +40 °C.
- ◆ Lataa akku ainoastaan lämpötilan ollessa +4 °C - +40 °C.
- ◆ Lataa akku käyttäen ainoastaan koneen mukana toimitettua laturia (ks. tekniset tiedot)
- ◆ Ennen lataamista varmista, että akku on kuiva ja puhdas.
- ◆ Käytä koneessa ainoastaan siihen tarkoitettua akkua (ks. tekniset tiedot).



Käytä suojalaseja konetta käyttäessäsi.

- ◆ Kun poistat akun käytöstä, noudata kappaleessa "Ympäristö" annettuja ohjeita.
- ◆ Äärimmäisissä olosuhteissa akku saattaa vuotaa. Jos havaitset akusta tulevan nestettä, toimi seuraavasti:

- Kuivaa neste varovasti pois rievulla. Vältä nesteen joutumista iholle.
- Mikäli nestettä joutuu iholle tai silmiin, noudata alla olevia ohjeita:

Varoitus! Akkuneste (25-30 % kaliumhydroksidiliuosta) saattaa olla haitallista. Jos akkunestettä pääsee iholle, huuhto se välittömästi vedellä. Neutralisoi akkuneste esim. etikalla tai sitruunamehulla. Jos akkunestettä joutuu silmiin, huuhto silmiä runsaalla vedellä vähintään 10 minuuttia, ja ota heti yhteys lääkäriin.

- ◆ Älä polta akkuja.
- ◆ Älä koskaan käytä viallisia akkuja.

Laturi

- ◆ Käytä Black & Decker-laturia ainoastaan koneen mukana toimitetun akun lataamiseen. Muunlaiset akut saattavat räjähtää aiheuttaen henkilö- ja esinevahinkoja.
- ◆ Älä koskaan yritä ladata ei-ladattavia akkuja.
- ◆ Vaihda vialliset johdot välittömästi.
- ◆ Älä altista laturia vedelle.
- ◆ Älä avaa laturia.
- ◆ Älä vahingoita laturia.



Tarkoitettu vain sisäkäyttöön.

Sähköinen turvallisuus



Laturisi on kaksoiseristetty; siksi ei tarvita erillistä maadoitusta. Tarkista, että laturin jännite vastaa verkon jännitettä. Lataa akku ainoastaan mukana toimitetulla laturilla.

Koneessa olevat merkit

Koneessa on seuraavat kuvamerkinnot:



Varoitus! Loukkaantumisen vaaran ehkäisemiseksi käyttäjän on luettava käyttöohjeet.



Kytke työkalu pois päältä. Poista akku ennen työkalun huoltamista.

Lisäturvaohjeet puhaltimille

Varoitus! Älä suuntaa konetta henkilöitä tai eläimiä kohti, kun se on päällä.

Valmistelu

- ◆ Älä käytä konetta avoaloin tai avokärkiset sandaalit jalassa.
- ◆ Suojaa jalkasi käyttämällä aina tukevia kenkiä tai saappaita ja pitkälahkeisia housuja. Hiljattain leikattu ruoho on kosteaa ja liukasta. Kumijalkineet tai käsintehty jalkineet parantavat turvallisuutta.

Varoitus! Käytä konetta vain sen suunnitellulla käytötavalla.

Yleiskatsaus

1. Virrankatkaisija
2. Kädensija
3. Puhallusletku
4. Akku

Kuva A

5. Laturi
6. Latausvalo - lataus käynnissä
7. Latausvalo - akku täynnä

Kokoaminen

Varoitus! Poista akku koneesta aina ennen kokoamista.

Akun kiinnittäminen ja poistaminen (kuva B)

- ◆ Kiinnitä akku (4) asettamalla se koneen liitännän kanssa samaan linjaan. Liu'uta akkua liittäen, kunnes se lukittuu paikalleen.
- ◆ Poista akku painamalla vapautusnappia (7) samanaikaisesti, kun vedät akkua irti.

Puhallusletkun liittäminen (kuva C)

Puhallusletku on koottava ennen käyttöä.

- ◆ Kohdista ympyrät (8) kiinnikkeeseen (9) ja letkuun (3).
- ◆ Paina letku tiukasti kiinnikkeeseen, kunnes ympyrät napsahtavat paikalleen.
- ◆ Puhallusletku voidaan irrottaa puhalluskiinnikkeestä säilytystä varten painamalla kummallakin puolella olevia ympyröitä ja liu'uttamalla ne varovasti pois letkusta.

Käyttö

Varoitus! Anna koneen käydä omaan tahtiinsa. Älä yliuormita sitä.

- ◆ Akun (4) lataamiseksi poista se koneesta ja aseta se laturiin (5). Akku sopii laturiin vain yhdessä asennossa. Älä laita sitä laturiin väkisin. Varmista, että akku on kunnolla laturissa.
- ◆ Liitä laturi virtalähteeseen.

8 tunnin laturi

Akku on latautunut täyteen noin 8 tunnissa. Se voidaan poistaa koska tahansa tai jättää laturiin määräämättömäksi ajaksi.

1 tunnin laturi

- ◆ Tarkista, että punainen latausvalo (6) palaa. Mikäli vihreä latausvalo (7) palaa punaisen sijasta, akku on liian kuuma, eikä sitä voi ladata. Jos näin tapahtuu, poista akku laturista, anna sen jäähtyä noin tunnin ajan ja aseta se sitten takaisin.

Noin tunnin lataamisen jälkeen punainen latausvalo sammuu ja vihreä latausvalo syttyy. Akku on nyt latautunut täyteen.

- ◆ Poista akku laturista.

Käynnistys ja pysäytys

- ◆ Käynnistä kone painamalla virrankatkaisijaa (1).
- ◆ Kytke kone pois päältä päästämällä virtakytkin (1) irti.

Vinkkejä parhaimman tuloksen saamiseksi

- ◆ Pidä puhallusletku noin 180 mm maanpinnan yläpuolella, kun käytät konetta.
- ◆ Käytä sivuttaista "lakaisuliikettä". Etene hitaasti ja pidä kertyneet roskat edessäsi (kuva D).
- ◆ Kun olet puhaltanut roskat/lehdet kasaksi, kasan hävitys on helppoa.

Koneen puhdistaminen

Puhdista kone säännöllisesti.

Varoitus! Pidä tuote kuivana. Älä missään olosuhteissa suihkuta siihen vettä.

- ◆ Käytä sahan puhdistamiseen vain mietoa pesuainetta ja kostutettua kangasta.

Varoitus! Älä käytä sellaista pesuainetta, puhdistusainetta tai liuotinta, jonka kemikaalit voivat vahingoittaa muovia.

- ◆ Tuotteessasi käytetään itsevoitelevia laakereita, joten voitelua ei tarvita.

Ympäristö



Erillinen keräys. Tätä tuotetta ei saa hävittää normaalin kotitalousjätteen kanssa.

Kun Black & Decker -koneesi on käytetty loppuun, älä hävitä sitä kotitalousjätteen mukana. Tämä tuote on kerättävä erikseen.



Käytettyjen tuotteiden ja pakkausten erillinen keräys mahdollistaa materiaalin kierrätyksen ja uudelleenkäytön. Kierrätettyjen materiaalien uudelleenkäyttö auttaa ehkäisemään ympäristön saastumisen ja vähentää raaka-aineiden kysyntää.

Paikallisten säännösten mukaisesti on mahdollista viedä kotitalouksien sähkölaitteet kuntien kaatopaikoille tai jättää ne vähittäismyyjälle ostopaikoissa uusi tuote.

Black & Decker tarjoaa mahdollisuuden Black & Decker -tuotteiden keräykseen ja kierrätykseen sen jälkeen, kun ne on poistettu käytöstä. Jotta voisit hyötyä tästä palvelusta, palauta laitteesi johonkin valtuutettuun huoltoiliikkeeseen, joka kerää laitteet meidän puolestamme.

Voit tarkistaa lähimmän valtuutetun huoltoiliikkeen sijainnin ottamalla yhteyden Black & Deckerin toimistoon, joka sijaitsee tässä käsikirjassa annettussa osoitteessa. Lista valtuutetuista Black & Decker -huoltoilikeistä sekä yksityiskohtaiset tiedot korjauspalvelustamme ovat vaihtoehtoisesti saatavilla Internetissä, osoitteessa www.2helpU.com

Akut



Black & Deckerin akut voidaan ladata useaan kertaan. Vie loppuunkäytetyt akut niille tarkoitettuun keräyspaikkaan tai -astiaan:

- ◆ Käytä akku täysin loppuun ja poista se sitten työkalusta.
- ◆ NiCd-, NiMH-, Li-Ion-akut ovat kierrätettäviä. Voit viedä ne mihin tahansa valtuutettuun huoltoliikkeeseen tai paikalliseen kierrätyskeskukseen. Kerätyt akut toimitetaan kierrätykseen tai käsitellään asianmukaisesti.

Tekniset tiedot

		GW180/ GW180NM	GW180P
Jännite	V _{DC}	18	18
Paino (ilman akkua)	kg	2,2	2,2

Akku

Jännite	V _{DC}	18	18
Teho	Ah	1,5	1,7
Paino	kg	0,8	0,8

Laturi

Jännite	V _{AC}	230	230
Latausaika (noin)	h	8	8
Paino	kg	0,4	0,4

EU:n yhdenmukaisuusilmoitus

GW180/GW180NM/GW180P

Black & Decker vakuuttaa näiden tuotteiden olevan seuraavien standardien vaatimusten mukaisia:
98/37/EY, 2006/95/EY EN 50260, EN 61000, EN 60335
2000/14/EY, Lehdenpuhallin, 2,0 m³, Annex V

Melutaso, mitattu 2000/14/EY:n mukaisesti:

L_{PA} (äänenpaine) 74 dB(A), epävarmuus (K) 3 dB(A),
L_{WA} (ääniteho) 88 dB(A), epävarmuus (K) 3 dB(A),
L_{WA} (taattu) 90 dB(A), epävarmuus (K) 3 dB(A)

Käden painotettu värinäarvo

EN 60745 Annex K:n mukaisesti: 2,5 m/s²

Allekirjoittava henkilö on vastuussa teknisen tiedoston täyttämisestä ja tekee tämän ilmoituksen Black & Decker -yhtiön puolesta.



Kevin Hewitt
Director of Consumer Engineering
Spennymoor, County Durham DL16 6JG,
Iso-Britannia
1-7-2008

Korjaukset / varaosat

Mikäli koneeseen tulee vikaa, jätä se aina Black & Deckerin valtuuttamaan huoltoliikkeeseen korjattavaksi. Varaosia myyvät valtuutetut Black & Deckerin huoltoliikkeet, ja heiltä voi myös pyytää kustannusarvion koneen korjauksesta.

Tiedot valtuutetuista huoltoliikkeistä löytyvät internetistä osoitteesta www.2helpU.com sekä kotisivuiltamme www.blackanddecker.fi

Takuu

Black & Decker Oy takaa, ettei koneessa ollut materiaali- ja/tai valmistusvikaa silloin, kun se toimitettiin ostajalle. Takuu on lisäys kuluttajan laillisiin oikeuksiin eikä vaikuta niihin. Takuu on voimassa Euroopan Unionin jäsenmaissa ja Euroopan vapaakauppa-alueella (EFTA).

Mikäli Black & Decker -kone hajoaa materiaali- ja/tai valmistusvirheen tai teknisten tietojen epätarkkuuden vuoksi 24 kk:n kuluessa ostopäivästä, Black & Decker korjaa koneen ilman kustannuksia ostajalle tai vaihtaa sen uuteen Black & Decker Oy:n valinnan mukaan.

Takuu ei kata vikoja, jotka johtuvat koneen

- ◆ normaalista kulumisesta
- ◆ ylikuormituksesta, virheellisestä käytöstä tai hoidosta
- ◆ vahingoittamisesta vieraalla esineellä tai aineella tai onnettomuustapauksessa.

Takuu ei ole voimassa, mikäli konetta on korjannut joku muu kuin Black & Deckerin valtuuttama huoltoliike.

Edellytyksenä takuun saamiselle on, että ostaja jättää koneen ja ostokuitin jälleenmyyjälle tai valtuutetulle huoltoliikkeelle viimeistään 2 kuukauden kuluessa vian ilmenemisestä.

Tiedot valtuutetuista huoltoliikkeistä saa ottamalla yhteyttä Black & Decker Oy:hyn sekä internetistä osoitteesta www.2helpU.com, jossa on myös takuehdot.

Voit vierailla verkkosivuiltamme www.blackanddecker.fi rekisteröidäksesi uuden Black & Decker-tuotteesi ja saadaksesi tietoa uusista tuotteista ja erikoistarjouksista. Saat lisätietoja Black & Deckerin tavaramerkistä ja tuotevalikoimastamme osoitteesta www.blackanddecker.fi

Ενδεδειγμένη χρήση

Ο ασύρματος φυσιτήρας της Black & Decker έχει σχεδιαστεί για την απομάκρυνση φύλλων και σκουπιδιών με αέρα.

Το εργαλείο αυτό προορίζεται μόνο για ερασιτεχνική χρήση και χρήση σε εξωτερικούς χώρους.

Ο φορτιστής της Black & Decker έχει σχεδιαστεί για να φορτίζει μπαταρίες Black & Decker του τύπου που παρέχονται με αυτό το εργαλείο.

Οδηγίες ασφαλείας

- ♦ **Προσοχή!** Κατά τη χρήση επαναφορτιζόμενων εργαλείων, θα πρέπει πάντα να λαμβάνονται οι βασικές προφυλάξεις ασφαλείας, για τον περιορισμό του κινδύνου πυρκαγιάς, διαρροής υγρού από μπαταρίες, σωματικών βλαβών και υλικών ζημιών.
- ♦ Πριν χρησιμοποιήσετε το εργαλείο διαβάστε προσεκτικά τις παρακάτω οδηγίες.
- ♦ Φυλάξτε το εγχειρίδιο αυτό για μελλοντική αναφορά.

Διατηρείτε καθαρό το χώρο εργασίας

Ακατάστατοι χώροι και πάγκοι εγκυμονούν κίνδυνο τραυματισμού.

Λάβετε υπ' όψη τις επιδράσεις του περιβάλλοντος

Μην εκθέτετε ηλεκτρικά εργαλεία σε υγρασία. Φροντίστε η περιοχή εργασίας να είναι καλά φωτισμένη. Μη χρησιμοποιείτε το εργαλείο αν υπάρχει κίνδυνος να προκληθεί πυρκαγιά ή έκρηξη, π.χ. κοντά σε εύφλεκτα υγρά και αέρια.

Κρατάτε τα παιδιά σε απόσταση

Μην επιτρέπετε σε παιδιά, επισκέπτες ή ζώα να πλησιάζουν στο χώρο εργασίας ή να αγγίζουν το εργαλείο.

Φοράτε τα κατάλληλα ρούχα εργασίας

Μη φοράτε φαρδιά ρούχα ή κοσμήματα. Υπάρχει πιθανότητα να πιαστούν σε κινούμενα μέρη μηχανών. Για υπαίθριες εργασίες συνιστώνται λαστιχένια γάντια και υποδήματα που δε γλιστρούν. Εάν έχετε μακριά μαλλιά φοράτε προστατευτικό δικτάκι.

Ατομική προστασία

Φορέστε προστατευτικά γυαλιά. Φορέστε μάσκα προσώπου ή προστασίας από τη σκόνη, στις περιπτώσεις που η εργασία ενδέχεται να προκαλέσει την παραγωγή σκόνης ή αιωρούμενων σωματιδίων. Φοράτε ωασιπίδες σε περιπτώσεις που η στάθμη του θορύβου σας προκαλεί δυσφορία.

Μη σκύβετε πάρα πολύ

Φροντίστε πάντοτε να έχετε την κατάλληλη στάση και να διατηρείτε την ισορροπία σας.

Να είστε πάντα προσεκτικοί

Παρακολουθείτε την εργασία σας. Ενεργείτε λογικά.

Μη χρησιμοποιείτε το εργαλείο όταν είστε κουρασμένοι.

Στηρίξτε με ασφαλή τρόπο το αντικείμενο στο οποίο εργάζεστε

Χρησιμοποιήστε σφιγκτήρες ή μέγγενη για το σκοπό αυτό.

Η μέθοδος αυτή είναι ασφαλέστερη και ελευθερώνει και τα

δύο σας χέρια για το χειρισμό του εργαλείου.

Συνδέστε τη συσκευή αφαίρεσης σκόνης

Εάν παρέχονται συσκευές για τη σύνδεση συσκευών αφαίρεσης και συλλογής σκόνης, βεβαιωθείτε ότι η σύνδεση και η χρήση τους γίνεται με τον ενδεδειγμένο τρόπο.

Απομακρύνετε από το μηχάνημα τα κλειδιά που χρησιμοποιείτε για τη ρύθμισή του

Πριν βάλετε σε λειτουργία το εργαλείο, βεβαιωθείτε πάντα ότι έχετε βγάλει από αυτό τα κλειδιά για τη ρύθμισή του.

Χρησιμοποιείτε το σωστό εργαλείο

Η ενδεδειγμένη χρησιμοποίηση αναφέρεται σε αυτές τις οδηγίες χρήσεως. Μη χρησιμοποιείτε εργαλεία χαμηλής ισχύος ή προσθήκες για βαριές εργασίες. Το εργαλείο σας θα λειτουργήσει επιτυχέστερα και ασφαλέστερα εάν χρησιμοποιηθεί σύμφωνα με της προδιαγραφές του. Μη ζορίζετε το εργαλείο.

Προσοχή! Τόσο η χρήση εξαρτημάτων ή προσθηκών όσο και η παραματοποίηση εργασιών που δεν συνιστώνται στις οδηγίες αυτές εγκυμονεί κίνδυνο τραυματισμού.

Ελέγχετε εάν το εργαλείο σας έχει βλάβες

Πριν από τη χρήση, ελέγξτε προσεκτικά το εργαλείο για τυχόν ζημιές. Ελέγξτε για τυχόν κακή ευθυγράμμιση και εμπλοκή των κινούμενων μερών, για μέρη που έχουν σπαστεί, για τυχόν ζημιές στους προφυλακτικές και τους διακόπτες, και γενικά κάθε είδους συνθήκες οι οποίες ενδέχεται να επηρεάσουν τη λειτουργία του εργαλείου. Βεβαιωθείτε ότι το εργαλείο λειτουργεί κανονικά και χρησιμοποιείται για το σκοπό για τον οποίο προορίζεται. Μη χρησιμοποιείτε το εργαλείο αν κάποιο εξάρτημά του παρουσιάζει ελάττωμα. Μη χρησιμοποιείτε το εργαλείο, εάν ο διακόπτης δεν μπορεί να το θέσει εντός ή εκτός λειτουργίας. Φροντίστε για την επισκευή ή αντικατάσταση τυχόν ελαττωματικών εξαρτημάτων από εξουσιοδοτημένο κέντρο επισκευών. Ποτέ μην επιχειρήσετε να επισκευάσετε οι ίδιοι το εργαλείο.

Αφαιρέστε τη μπαταρία

Αφαιρέστε τη μπαταρία όταν το εργαλείο δεν χρησιμοποιείται, προτού αλλάξετε οποιοδήποτε ανταλλακτικό, παρελκόμενο ή εξάρτημα του εργαλείου, και πριν από τη συντήρησή του.

Αποφύγετε την τυχαία εκκίνηση του εργαλείου

Μη μεταφέρετε το εργαλείο έχοντας το δάκτυλό σας πάνω στο διακόπτη εκκίνησης. Βεβαιωθείτε ότι κατά την εισαγωγή της μπαταρίας, το εργαλείο είναι σβηστό.

Μην κακομεταχειρίζεστε το καλώδιο

Ποτέ μη μεταφέρετε το φορτιστή κρατώντας τον από το καλώδιο και μην τον τραβάτε από το καλώδιο για να το βγάλετε από την πρίζα. Φροντίστε το καλώδιο να παραμείνει μακριά από τη θερμότητα, τα λάδια και από αιχμηρές ακμές.

Φυλάξτε τα εργαλεία σας σε ασφαλές μέρος

Όταν δεν χρησιμοποιούνται, τα εργαλεία, φορτιστές και οι μπαταρίες πρέπει να αποθηκεύονται σε ξηρό χώρο, μακριά από τα παιδιά.

Συντηρήστε προσεκτικά τα εργαλεία

Φροντίστε τα εργαλεία σας να είναι κοφτερά και καθαρά,

ώστε να προσφέρουν υψηλή απόδοση και ασφάλεια κατά τη χρήση τους. Ακολουθήστε τις σχετικές οδηγίες σε ότι αφορά τη συντήρηση και την αλλαγή των εξαρτημάτων. Φροντίστε οι λαβές και οι διακόπτες να είναι στεγνοί, καθαροί και χωρίς λάδια ή γράσα.

Επισκευές

Το εργαλείο αυτό συμμορφώνεται με τις σχετικές προϋποθέσεις ασφαλείας. Οι επισκευές θα πρέπει να γίνονται μόνο από ειδικευμένους τεχνικούς και με τη χρήση αποκλειστικά γνήσιων ανταλλακτικών, διαφορετικά υπάρχει το ενδεχόμενο σοβαρού κινδύνου για το χρήστη.

Επιπρόσθετες οδηγίες ασφαλείας για μπαταρίες και φορτιστές

Μπαταρίες

- ◆ Μην επιχειρήσετε ποτέ να την ανοίξετε, για κανένα λόγο.
- ◆ Μην την εκθέτετε σε νερό.
- ◆ Μην την αποθηκεύετε σε χώρους όπου η θερμοκρασία μπορεί να υπερβεί τους 40 °C.
- ◆ Να τη φορτίζετε μόνο σε θερμοκρασία περιβάλλοντος μεταξύ 4 °C και 40 °C.
- ◆ Η φόρτιση πρέπει να γίνεται μόνο με το φορτιστή που συμπεριλαμβάνεται με το εργαλείο (βλ. τεχνικά χαρακτηριστικά).
- ◆ Πριν από τη φόρτιση, βεβαιωθείτε ότι η μπαταρία είναι στεγνή και καθαρή.
- ◆ Χρησιμοποιήστε μόνο το σωστό για το εργαλείο τύπο μπαταρίας (βλ. τεχνικά χαρακτηριστικά).
- ◆ Σε ότι αφορά την απόρριψη των μπαταριών, ακολουθήστε τις οδηγίες που παρατίθενται στην ενότητα "Περιβάλλον".
- ◆ Σε περίπτωση έκθεσης σε ακραίες συνθήκες, η μπαταρία ενδέχεται να παρουσιάσει διαρροή. Αν παρατηρήσετε υγρά στην μπαταρία, ενεργήστε ως ακολούθως:
 - Σκουπίστε προσεκτικά τα υγρά με ένα πανί. Αποφύγετε την επαφή με το δέρμα.
 - Σε περίπτωση επαφής με το δέρμα ή τα μάτια, ακολουθήστε τις παρακάτω οδηγίες.

Προσοχή! Το υγρό μπαταριών, ένα διάλυμα 25-30% υδροξειδίου του καλίου, μπορεί να είναι βλαβερό.

Σε περίπτωση δερματικής επαφής, ξεπλύνετε αμέσως με νερό. Εξουδετερώστε με ήπιο οξύ όπως χυμός λεμονιού ή ξίδι. Σε περίπτωση επαφής με τα μάτια, ξεπλύνετε με άφθονο καθαρό νερό για 10 λεπτά τουλάχιστον. Συμβουλευτείτε γιατρό.

- ◆ Μην καίτε την μπαταρία.
- ◆ Μην φορτίζετε κατεστραμμένες μπαταρίες.

Φορτιστές

- ◆ Χρησιμοποιήστε μόνο το φορτιστή της Black & Decker για τη φόρτιση μπαταριών του τύπου που συνοδεύει το εργαλείο σας. Σε άλλες μπαταρίες ενδέχεται να σημειωθεί διάρρηξή τους, προκαλώντας τραυματισμό και ζημιά.

- ◆ Μην επιχειρήσετε ποτέ να επαναφορτίσετε μη επαναφορτιζόμενες μπαταρίες.
- ◆ Αντικαταστήστε αμέσως τα ελαττωματικά καλώδια.
- ◆ Μην εκθέτετε το φορτιστή σε νερό.
- ◆ Μην ανοίγετε το φορτιστή.
- ◆ Μην σκαλίζετε το φορτιστή.



Προορίζεται μόνο για χρήση σε κλειστούς χώρους.

Ηλεκτρική ασφάλεια



Ο φορτιστής σας φέρει διπλή μόνωση. Κατά συνέπεια δε χρειάζεται καλώδιο γείωσης. Βεβαιωθείτε ότι η τάση του φορτιστή σας αντιστοιχεί με την τάση του δικτύου σας. Ποτέ μην επιχειρήσετε να υποκαταστήσετε το φορτιστή με κοινή πρίζα ρεύματος.

Επικέτες επάνω στο εργαλείο

Πάνω στο εργαλείο υπάρχουν οι εξής σχηματικές απεικονίσεις:



Προσοχή! Για να μειώσετε τον κίνδυνο τραυματισμού, ο χρήστης πρέπει να διαβάσει το εγχειρίδιο οδηγιών.



Θέστε εκτός λειτουργίας το εργαλείο. Πριν εκτελέσετε οποιαδήποτε εργασία συντήρησης στο εργαλείο, αφαιρέστε τη μπαταρία από το εργαλείο.

Συμπληρωματικές οδηγίες ασφαλείας για ψυστήρες

Προειδοποίηση! Μη στρέφετε το εργαλείο προς άλλα άτομα ή ζώα ενώ είναι αναμμένο.



Κατά τη χρήση αυτού του εργαλείου, να φοράτε προστατευτικά γυαλιά.

- ◆ Να φοράτε μάσκα προσώπου ή μάσκα προστασίας από τη σκόνη όταν εργάζεστε σε χώρο με πολλή σκόνη.
- ◆ Μην αφήνετε το εργαλείο εκτεθειμένο σε βροχή ή σε έντονη υγρασία.
- ◆ Μην τοποθετείτε τους σωλήνες εξόδου κοντά στα μάτια ή τα αυτιά ενώ λειτουργεί το εργαλείο.
- ◆ Μην περνάτε από διαδρόμους με χαλίκι και μην τοποθετείτε το εργαλείο πάνω σε χαλίκι ενώ λειτουργεί.
- ◆ Μην τοποθετείτε αντικείμενα μέσα στα ανοίγματα και τα κινούμενα μέρη.
- ◆ Πριν αφαιρέσετε το σωλήνα εμφύσησης, να σβήνετε πάντα το εργαλείο, να βγάξετε τη μπαταρία και να αφήνετε το εργαλείο να σταματήσει τελείως.

- ◆ Διαβάστε τις οδηγίες προσεκτικά. Εξοικειωθείτε με τα χειριστήρια και τη σωστή χρήση του μηχανήματος.
- ◆ Μην επιτρέψετε σε μικρά παιδιά ή σε άτομα που δεν έχουν διαβάσει το εγχειρίδιο οδηγιών ή που δεν έχουν εξοικειωθεί με το μηχάνημα να το χρησιμοποιήσουν. Ενδέχεται να υπάρχουν νομικοί περιορισμοί σχετικά με την ηλικία του χειριστή.
- ◆ Ποτέ μη χρησιμοποιείτε το μηχάνημα όταν βρίσκονται κοντά άλλοι άνθρωποι, ιδιαίτερα παιδιά ή κατοικίδια.
- ◆ Να έχετε υπόψη σας ότι η ευθύνη για ατυχήματα ή κινδύνους για τρίτους ή την παρουσία τρίτων θα καταλογιστεί στο χειριστή.

Προετοιμασία

- ◆ Μη χειρίζεστε το μηχάνημα φορώντας σαγιονάρες ή όταν είστε ξυπόλητοι.
- ◆ Για να προστατεύσετε τα πόδια σας, να φοράτε πάντα χοντρά παπούτσια ή μπότες και μακριά παντελόνια - το γρασίδι που έχει κοπεί πρόσφατα είναι υγρό και γλιστράει. Τα ελαστικά ή χειροποίητα παπούτσια θα ενισχύσουν την ασφάλειά σας.

Προειδοποίηση! Να χρησιμοποιείτε το εργαλείο με τον ενδεικνυόμενο τρόπο.

Γενική Επισκόπηση

1. Διακόπτης on/off
2. Λαβή
3. Σωλήνας εμφύσησης αέρα
4. Μπαταρία

Εικ. Α

5. Φορτιστής
6. Ενδειξη φόρτισης
7. Ενδειξη τέλους φόρτισης

Συναρμολογηση

Προειδοποίηση! Πριν από τη συναρμολόγηση, αφαιρείτε πάντα την μπαταρία.

Τοποθέτηση και αφαίρεση της μπαταρίας (εικ. Β)

- ◆ Για να τοποθετήσετε την μπαταρία (4), ευθυγραμμίστε την με την υποδοχή πάνω στο εργαλείο. Ολισθήστε τη μπαταρία μέσα στη θήκη και σπρώξτε τη μέχρι να κουμπώσει στη θέση της.
- ◆ Για να βγάλετε τη μπαταρία, πατήστε το κουμπί απελευθέρωσης (7) και τραβήξτε ταυτόχρονα τη μπαταρία έξω από τη θήκη.

Σύνδεση του σωλήνα αέρα (εικ. C)

Ο σωλήνας εμφύσησης πρέπει να συναρμολογηθεί στον κάδο εμφύσησης πριν τη χρήση.

- ◆ Ευθυγραμμίστε τους κύκλους (8) πάνω στον κάδο (9) και στο σωλήνα (3).
- ◆ Σπρώξτε το σωλήνα με δύναμη πάνω στον κάδο μέχρι να μπουν οι κύκλοι στη θέση τους κάνοντας "κλικ".
- ◆ Για να αποθηκευθεί, ο σωλήνας εμφύσησης μπορεί να αποσυνδεθεί από τον κάδο πιέζοντας τους κύκλους και στις δυο πλευρές και τραβώντας το σωλήνα απαλά ώστε να βγει.

Χρήση

Προειδοποίηση! Αφήστε το εργαλείο να λειτουργήσει με το δικό του ρυθμό. Μην το υπερφορτώνετε.

- ◆ Για να φορτίσετε τη μπαταρία (4), αφαιρέστε την από το εργαλείο και τοποθετήστε την στο φορτιστή (5). Η μπαταρία μπαίνει στο φορτιστή κατά ένα τρόπο και μόνο. Μην τη ζορίζετε. Βεβαιωθείτε ότι η μπαταρία έχει εφαρμόσει καλά στο φορτιστή.
- ◆ Βάλτε το φορτιστή στην πρίζα.

Φορτιστής 8 ώρας

Η μπαταρία θα έχει φορτιστεί πλήρως σε 8 περίπου ώρες. Μπορείτε να την αφαιρέσετε οποιαδήποτε στιγμή θέλετε ή μπορείτε να την αφήσετε συνεχώς πάνω στο φορτιστή.

Φορτιστής 1 ώρας

- ◆ Ελέγξτε αν ανάβει η κόκκινη ένδειξη φόρτισης (6). Αν, αντί για την κόκκινη ένδειξη, ανάψει τώρα η πράσινη ένδειξη τέλους φόρτισης (7), η μπαταρία είναι ιδιαίτερα ζεστή και δεν μπορεί να φορτιστεί. Αν συμβεί αυτό, αφαιρέστε την μπαταρία από το φορτιστή, αφήστε την να κρυώσει για 1 ώρα περίπου και μετά βάλτε την και πάλι στο φορτιστή.

Μετά από περίπου 1 ώρα φόρτισης, ο κόκκινος δείκτης φόρτισης θα σβήσει και θα ανάψει ο πράσινος δείκτης τέλους φόρτισης. Η μπαταρία είναι πλέον τελείως φορτισμένη.

- ◆ Αφαιρέστε τη μπαταρία από το φορτιστή.

Θέση εντός και εκτός λειτουργίας

- ◆ Για να θέσετε σε λειτουργία το εργαλείο, πατήστε το διακόπτη on/off (1).
- ◆ Για να θέσετε το εργαλείο εκτός λειτουργίας, αφήστε το διακόπτη on/off.

Συμβουλές για άριστη χρήση

- ◆ Κρατήστε το σωλήνα αέρα 180mm περίπου πάνω από το έδαφος όταν χειρίζεστε το εργαλείο.
- ◆ Ακολουθήστε μια κίνηση σκουπίσματος από άκρη σε άκρη. Προχωράτε αργά διατηρώντας τα συσσωρευμένα σκουπίδια/φύλλα μπροστά σας (εικ. D).
- ◆ Αφού συγκεντρώσετε τα σκουπίδια/φύλλα σε μια στοιβά με τη βοήθεια του αέρα, είναι εύκολο να τα μαζέψετε και να τα πετάξετε.

Καθαρισμός του εργαλείου

Να καθαρίζετε το εργαλείο τακτικά.

Προειδοποίηση! Να διατηρείτε το εργαλείο σας στεγνό. Σε καμία περίπτωση δεν πρέπει να το ψεκάζετε με νερό.

- ♦ Για να καθαρίζετε το εργαλείο, χρησιμοποιείτε μόνο μαλακό σαπούνι και υγρό πανί.

Προειδοποίηση! Μη χρησιμοποιείτε απορρυπαντικά καθαριστικά ή διαλύτες που μπορεί να περιέχουν χημικές ουσίες που θα μπορούσαν ενδεχομένως να καταστρέψουν το πλαστικό.

- ♦ Το εργαλείο σας διαθέτει αυτολιπανόμενα ρουλεμάν, οπότε δεν χρειάζεται λίπανση.

Διάθεση εργαλείων και περιβάλλον



Ξεχωριστή συλλογή. Αυτό το προϊόν δεν πρέπει να απορριφθεί με συνηθισμένα σπιτικά απορρίμματα.

Εάν κάποια μέρα διαπιστώσετε ότι το προϊόν σας Black & Decker χρειάζεται αντικατάσταση ή δεν σας χρησιμοποιεί πλέον, μην το απορρίψετε με τα σπιτικά απορρίμματα. Κάντε αυτό το προϊόν διαθέσιμο για ξεχωριστή συλλογή.



Η ξεχωριστή συλλογή χρησιμοποιημένων προϊόντων και συσκευασιών επιτρέπει την ανακύκλωση υλικών. Η επανάχρηση ανακυκλωμένων υλικών βοηθάει την προστασία του περιβάλλον και μειώνει την ζήτηση για σπάνια υλικά.

Οι τοπικοί κανονισμοί μπορεί να παρέχουν ξεχωριστή συλλογή ηλεκτρικών προϊόντων από κατοικίες, δημοτικές τοποθεσίες απορριμμάτων ή από τον έμπορα όταν αγοράσατε το καινούργιο προϊόν.

Η Black & Decker δίνει τη δυνατότητα συλλογής και ανακύκλωσης των προϊόντων της που έχουν συμπληρώσει τη διάρκεια ζωής τους. Αν θέλετε να χρησιμοποιήσετε την εν λόγω υπηρεσία, επιστρέψτε το προϊόν σας σε οποιοδήποτε εξουσιοδοτημένο κέντρο επισκευών, όπου θα το παραλάβουν εκ μέρους σας.

Ενημερωθείτε για το πλησιέστερο κέντρο επισκευών της περιοχής σας, επικοινωνώντας με τα γραφεία της Black & Decker στη διεύθυνση που αναγράφεται στο

εγχειρίδιο. Επίσης, για να πληροφορηθείτε τα εξουσιοδοτημένα κέντρα επισκευών της Black & Decker και τις λεπτομέρειες και τους αρμόδιους των υπηρεσιών που παρέχονται μετά την πώληση, μπορείτε να ανατρέξετε στο Διαδίκτυο στη διεύθυνση: www.2helpU.com

Μπαταρίες



Οι μπαταρίες Black & Decker μπορούν να επαναφορτιστούν πολλές φορές. Όταν πλέον δεν μπορούν να ξαναχρησιμοποιηθούν, απορρίψτε τις με τρόπο κατάλληλο για το περιβάλλον:

- ♦ Εξαντήστε πλήρως τη μπαταρία και μετά αφαιρέστε την από το εργαλείο.
- ♦ Οι μπαταρίες NiCd, NiMH και Li-Ion είναι ανακυκλώσιμες. Στείλτε τις σε κάποιο εξουσιοδοτημένο κέντρο επισκευών ή στον τοπικό σταθμό ανακύκλωσης.

Τεχνικά χαρακτηριστικά

		GW180/ GW180NM	GW180P
Τάση	V _{DC}	18	18
Βάρος (χωρίς μπαταρία)	kg	2,2	2,2

Μπαταρία

Τάση	V _{DC}	18	18
Χωρητικότητα	Ah	1,5	1,7
Βάρος	kg	0,8	0,8

Φορτιστής

Τάση	V _{AC}	230	230
Χρόνος φόρτισης κατά προσέγγιση	h	8	8
Βάρος	kg	0,4	0,4

Δήλωση συμμόρφωσης με την Ευρωπαϊκή Κοινότητα

GW180/GW180NM/GW180P

Η Black & Decker δηλώνει ότι τα προϊόντα αυτά συμμορφώνονται με:

98/37/EK, 2006/95/EK, EN 50260, EN 61000, EN 60335
2000/14/EK, Εργαλείο απομάκρυνσης φύλλων με αέρα, 2,0
m³, Παράρτημα V

Στάθμη πίεσης ήχου, μετρημένη σύμφωνα με
το πρότυπο 2000/14/EK:

L_{pA} (πίεση ήχου) 74 dB(A), αβεβαιότητα (K) 3 dB(A),
 L_{WA} (ακουστική ισχύς) 88 dB(A), αβεβαιότητα (K) 3 dB(A),
 L_{WA} (εγγυημένη) 90 dB(A), αβεβαιότητα (K) 3 dB(A)

Τιμή χειροβραχιονικής δόνησης σύμφωνα με
το πρότυπο
EN 60745 Annex K: 2,5 m/s²

Ο υπογεγραμμένος είναι υπεύθυνος για τη σύνταξη του
τεχνικού αρχείου και κάνει την παρών δήλωση εκ μέρους της
Black & Decker.



Kevin Hewitt

Διευθυντής Εξυπηρέτησης Πελατών
Spennymoor, County Durham DL16 6JG,
Αγγλία
1-7-2008

- ◆ Το προϊόν έχει χρησιμοποιηθεί σε εργασιακό, επαγγελματικό περιβάλλον ή αν έχει εννοικιαστεί
- ◆ Έχει γίνει εσφαλμένη χρήση του προϊόντος ή αν έχει παραμεληθεί
- ◆ Το προϊόν έχει υποστεί βλάβη από άλλα αντικείμενα, από ουσίες ή λόγω ατυχήματος
- ◆ Έχει γίνει προσπάθεια επισκευής από μη εξουσιοδοτημένα κέντρα επισκευών ή από προσωπικό που δεν ανήκει στο προσωπικό της Black & Decker

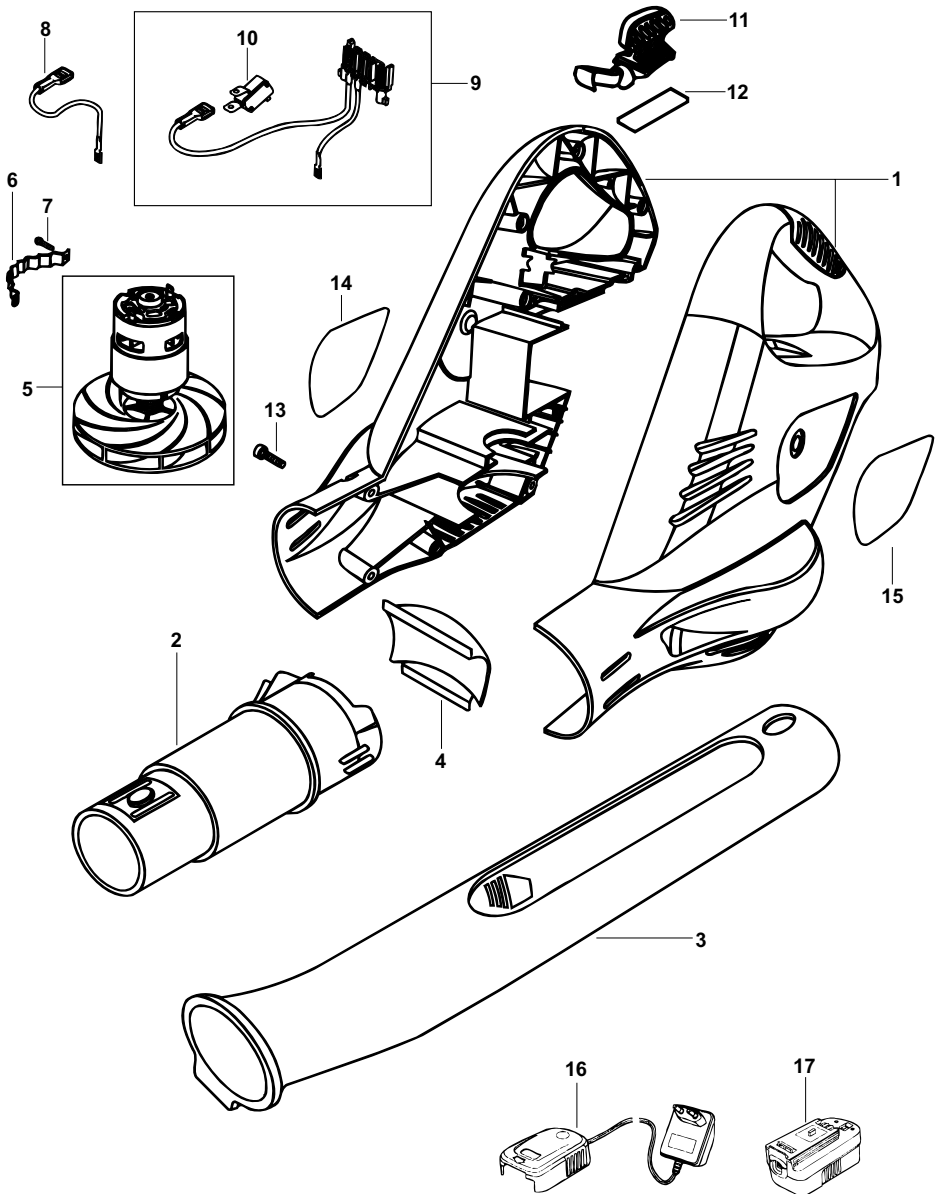
Για να ισχύσει η εγγύηση, πρέπει να υποβάλετε απόδειξη αγοράς στον πωλητή ή το εξουσιοδοτημένο κέντρο επισκευών. Ενημερωθείτε για το πλησιέστερο κέντρο επισκευών της περιοχής σας, επικοινωνώντας με τα γραφεία της Black & Decker στη διεύθυνση που αναγράφεται στο εγχειρίδιο. Επίσης, για να πληροφορηθείτε για τα εξουσιοδοτημένα κέντρα επισκευών της Black & Decker, τις λεπτομέρειες και τους αρμόδιους των υπηρεσιών που παρέχονται μετά την πώληση, μπορείτε να ανατρέξετε στο Διαδίκτυο στη διεύθυνση: www.2helpU.com

Παρακαλούμε να επισκεφθείτε την ιστοσελίδα μας www.blackanddecker.eu για να καταχωρήσετε το νέο σας προϊόν Black & Decker και για να ενημερώνεστε για τα νέα προϊόντα και τις ειδικές προσφορές. Περισσότερες πληροφορίες σχετικά με τη μάρκα Black & Decker και τη σειρά προϊόντων μας θα βρείτε στη διεύθυνση www.blackanddecker.eu

Εγγύηση

Η Black & Decker είναι σίγουρη για την ποιότητα των προϊόντων της και παρέχει σημαντική εγγύηση. Η παρούσα γραπτή εγγύηση αποτελεί πρόσθετο δικαίωμά σας και δεν ζημιώνει τα συνταγματικά σας δικαιώματα. Η εγγύηση ισχύει εντός της επικράτειας των Κρατών Μελών της Ευρωπαϊκής Ένωσης και της Ευρωπαϊκής Ζώνης Ελευθέρων Συναλλαγών.

Σε περίπτωση που κάποιο προϊόν της Black & Decker παρουσιάσει βλάβη εξαιτίας ελαττωματικών υλικών, ποιότητας εργασίας ή έλλειψης συμφωνίας με τις προδιαγραφές εντός 24 μηνών από την ημερομηνία αγοράς, η Black & Decker εγγυάται την αντικατάσταση των ελαττωματικών τμημάτων, την επισκευή προϊόντων που έχουν υποστεί εύλογη φθορά λόγω χρήσης ή την αντικατάσταση των προϊόντων προκειμένου να εξασφαλίσει την ελάχιστη ενόχληση στους πελάτες της, εκτός αν:



België/Belgique	Black & Decker (Belgium) N.V. Nieuwlandlaan 7 I.Z. Aarschot B156 3200 Aarschot	Tel. Fax	016 68 91 00 016 68 91 11
Danmark	Black & Decker Sluseholmen 2-4, 2450 København SV Internet: www.blackanddecker.dk	Tel. Fax	70 20 15 10 70 22 49 10
Deutschland	Black & Decker GmbH Black & Decker Str. 40, D - 65510 Idstein	Tel. Fax	06126/21 - 0 06126/21 29 80
Ελλάδα	Black & Decker (Ελλάς) Α.Ε. Σπύρβωνος 7 & Λεωφ. Βουλιαγμένης 159 166 74 Γλυφάδα - Αθήνα	Τηλ. Φαξ www.blackanddecker.eu	210 8981616 210 8983285
España	Black & Decker Ibérica, S.C.A. Parc de Negocis "Mas Blau" Edificio Muntadas, c/Bergadá, 1, Of. A6 08820 El Prat de Llobregat (Barcelona)	Tel. Fax	934 797 400 934 797 419
France	Black & Decker (France) S.A.S. 5 allée des Hêtres B.P. 30084 69579 Limonest Cédex	Tel. Fax	04 72 20 39 20 04 72 20 39 00
Helvetia	ROFO AG Gewerbezone Seeblick 3213 Kleinbödingen	Tel. Fax	026-6749391 026-6749394
Italia	Black & Decker Italia SpA Viale Elvezia 2 20052 Monza (MI)	Tel. Fax Numero verde	039-23871 039-2387592/2387594 800-213935
Nederland	Black & Decker Benelux Joulehof 12, 4622 RG Bergen op Zoom	Tel. Fax	0164 - 283000 0164 - 283100
Norge	Black & Decker (Norge) A/S Postboks 4814, Nydalen, 0422 Oslo Internet: www.blackanddecker.no	Tlf. Fax	22 90 99 00 22 90 99 01
Österreich	Black & Decker Vertriebsges.m.b.H Oberlaaerstraße 246, A1100 Wien	Tel. Fax	01 66116-0 01 66116-14
Portugal	Black & Decker Rua Egas Moniz 173 S. João do Estoril 2766-651 Estoril	Tel. Fax	214667500 214667580
Suomi	Black & Decker Oy Keilasatama 3, 02150 Espoo Black & Decker Oy, Kägelhamnen 3, 02150 Esbo	Puh. Faksi Tel. Fax	010 400 430 (09) 2510 7100 010 400 430 (09) 2510 7100
Sverige	Black & Decker AB Box 94, 431 22 Mölndal	Tel. Fax	031-68 60 60 031-68 60 80
United Kingdom	Black & Decker 210 Bath Road Slough, Berkshire SL1 3YD	Tel. Fax Helpline	01753 511234 01753 551155 01753 574277
Middle East & Africa	Black & Decker (Overseas) A.G. PB 5420, Dubai, United Arab Emirates	Tel. Fax	+971 4 2826464 +971 4 2826466

Dealer address
Händleradresse
Cachet du revendeur
Indirizzo del rivenditore
Adres van de dealer
Dirección del detallista
Morada do revendedor
Återförsäljarens adress
Forhandlerens adresse
Forhandler adresse
Jälleenmyyjän osoite
Διεύθυνση αντιπροσώπου

◆ Name ◆ Name ◆ Nom ◆ Nome
◆ Naam ◆ Nombre ◆ Nome ◆ Namn
◆ Navn ◆ Navn ◆ Nimi ◆ Διεύθυνση:

◆ Address ◆ Adresse ◆ Adresse ◆ Indirizzo ◆
Adres ◆ Dirección ◆ Morada ◆ Address ◆
Adresse ◆ Adresse ◆ Osoite ◆ Διεύθυνση:

◆ Town ◆ Ort ◆ Ville ◆ Città ◆ Plaats
◆ Ciudad ◆ Localidade ◆ Ort ◆ By
◆ Paikkakunta ◆ Πόλη:

◆ Postal code ◆ Postleitzahl ◆ Code postal
◆ Codice postale ◆ Postcode
◆ Código ◆ Código postal ◆ Postnr.
◆ Postnr. ◆ Postnr. ◆ Postnummero
◆ Κωδικός

Date of purchase
Kaufdatum
Date d'achat
Data d'acquisto
Aankoopdatum
Fecha de compra
Data de compra
Inköpsdatum
Inkõpsdato
Indkøbsdato
Ostopäivä
Ημερομηνία αγοράς

Yes ◆ Ja ◆ Oui ◆ Si ◆ Ja ◆ Si
◆ Sim ◆ Ja ◆ Ja ◆ Ja ◆ Kyllä ◆ Nai

No ◆ Nein ◆ Non ◆ No ◆ Nee
◆ No ◆ Não ◆ Nej ◆ Nei ◆ Nej
◆ Ei ◆ Oxi

◆ Dealer address ◆ Händleradresse
◆ Cachet du revendeur ◆ Indirizzo del
rivenditore ◆ Adres van de dealer
◆ Dirección del detallista ◆ Morada do
revendedor ◆ Återförsäljarens adress
◆ Forhandlerens adresse ◆ Forhandler adresse
◆ Jälleenmyyjän osoite
◆ Διεύθυνση αντιπροσώπου

Cat. no.:



◆ Is this tool a gift? ◆ Ist dieses
Geschenken? ◆ S'agit-il d'un cadeau? ◆ Si tratta
di un regalo? ◆ Kreeg u de machine als cadeau?
◆ ¿Ha recibido usted esta herramienta como
regalo? ◆ Recebeu esta ferramenta como
presente? ◆ Ar verkjøpet en gave? ◆ Er verkjøpet en
gave? ◆ Onko kante lahja? ◆ Το εργαλείο είναι δώρο;

Yes ◆ Ja ◆ Oui ◆ Si ◆ Ja ◆ Si
◆ Sim ◆ Ja ◆ Ja ◆ Ja ◆ Kyllä ◆ Nai

No ◆ Nein ◆ Non ◆ No ◆ Nee
◆ No ◆ Não ◆ Nej ◆ Nei ◆ Nej
◆ Ei ◆ Oxi

◆ Is this tool your first purchase? ◆ Ist dieses
Gerät ein Erstkauf? ◆ Est-ce un 1er achat?
◆ Questo prodotto è il suo primo acquisto?
◆ Is deze machine uw eerste aankoop?
◆ ¿Es esta herramienta la primera de este tipo?
◆ Esta herramienta é a sua primeira compra?
◆ Ar dette ditt første B&D-verktøy? ◆ Er dette
ditt første B&D verktøy? ◆ Er dette ditt første
B&D verktøj? ◆ Onko tämä ensimmäinen B&-
koneesi? ◆ Είναι το εργαλείο αυτό η πρώτη
σας αγορά;

◆ Data protection act: Tick the box if you prefer
not to receive further information.
◆ Bitte ankreuzen, falls Sie keine weiteren
Informationen erhalten möchten. ◆ Si vous ne
souhaitez pas recevoir d'informations, cochez
cette case. ◆ Barrate la casella se non
desiderate ricevere informazioni.
◆ A.u.b. dit vakje aankruisen indien u geen
informatie wenst te ontvangen.
◆ Señale en la casilla sino quiere recibir
información. ◆ Por favor, assinale com uma
cruz se não desejar receber informação.
◆ Vänligen kryssa för i rutan om Ni inte vill ha
information.
◆ Vennligst kryss av dersom du ikke ønsker
informasjon. ◆ Venligst sæt kryds i ruden
såfremt De ikke måtte ønske at modtage
information.

◆ Merkitää rasti ruutuun, mikäli ette halua
vastaanottaa informaatiota.
◆ Παράκαλεστε να σημειώσετε εάν δεν θέλετε
να प्राप्तει πληροφορίες.

- ◆ GUARANTEE CARD
- ◆ GARANTIEKART
- ◆ GARANTI KORT
- ◆ GARANTIEKARTE
- ◆ TARJETA DE GARANTÍA
- ◆ GARANTI KORT
- ◆ CARTE DE GARANTIE
- ◆ CARTÃO DE GARANTIA
- ◆ TAKUUKORTTI
- ◆ TAGLIANDO DI GARANZIA
- ◆ GARANTIBEVIS
- ◆ KAPTA ETTYHSHZ

English

Please complete this section immediately after the purchase of your tool and send it to Black & Decker in your country.

Português

Por favor, recorte esta parte, coloque-a num envelope selado e endereçado e envie-o logo após a compra do seu produto para o endereço da Black & Decker do seu país.

Deutsch

Bitte schneiden Sie diesen Abschnitt ab, stecken ihn in einen frankierten Umschlag und schicken ihn an die Black & Decker Adresse Ihres Landes.

Svenska

Var vänlig klipp ur denna del och sänd den i ett frankerat kuvert till Black & Deckers adress i Ditt land.

Français

Découpez cette partie et envoyez-la sous enveloppe timbrée à l'adresse de Black & Decker dans votre pays, ceci immédiatement après votre achat.

Norsk

Vennligst klipp ut denne delen umiddelbart etter du har pakket ut ditt produkt og legg det i en adressert konvolutt til Black & Decker (Norge) A/S.

Italiano

Per favore ritagliate questa parte, inseritela in una busta con francobollo e spediteola subito dopo l'acquisto del prodotto all'indirizzo della Black & Decker nella vostra nazione.

Dansk

Venligst klip denne del ud og send frankeret til Black & Decker i dit land.

Nederlands

Knip dit gedeelte uit en zend het direct na aankoop in een gefrankeerde, geaddresseerde envelop naar het adres van Black & Decker in uw land.

Suomi

Leikkaa irti tämä osa, laita se kuoreen ja postita kuori paikalliseen Black & Decker osoitteeseen.

Español

Después de haber comprado su herramienta envíe usted, por favor, esta tarjeta a la central de Black & Decker en su país.

Ελληνικά

Παράκαλι κόψτε αυτό το κομμάτι και τοχυώπομπήστε το αμέσως μετά την αγορά του προϊόντος σας στην διεύθυνση της Black & Decker στην Ελλάδα.