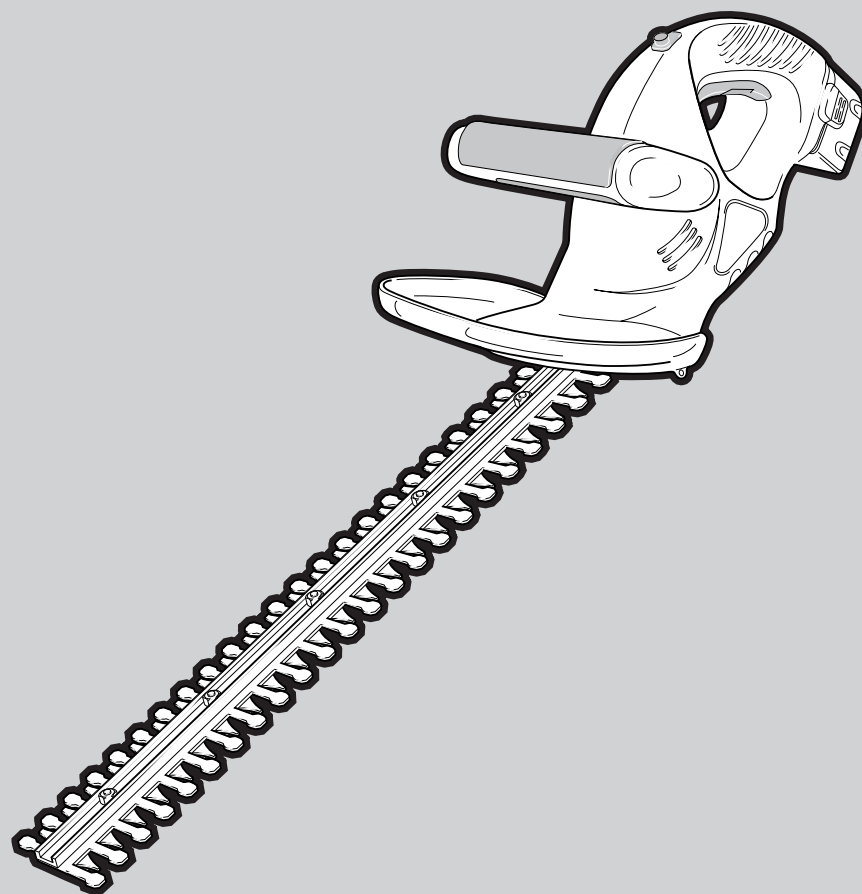




 **BLACK &  
DECKER**®



**GTC410**  
**GTC510**

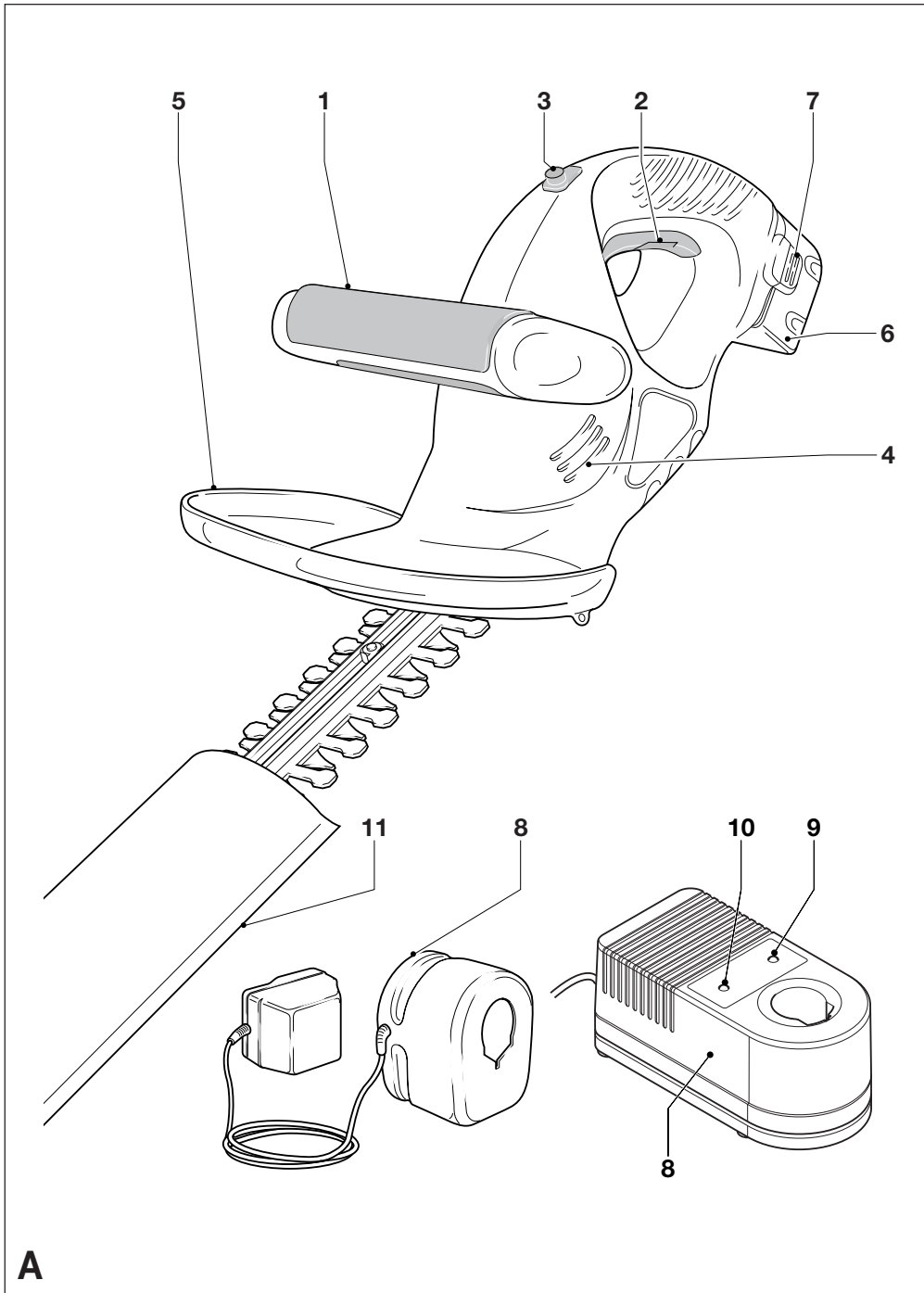


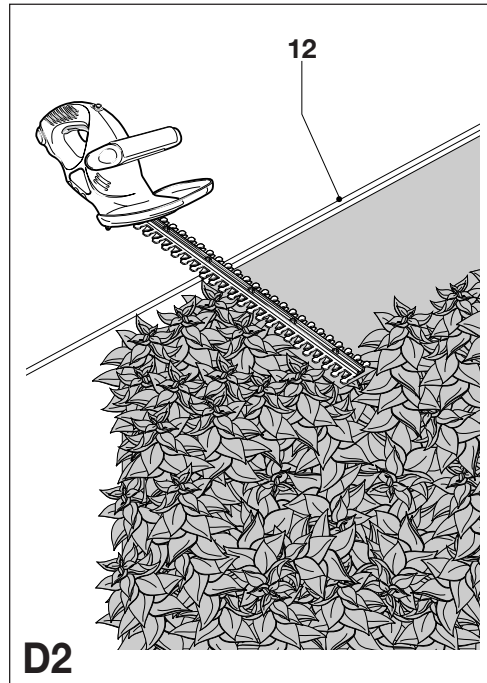
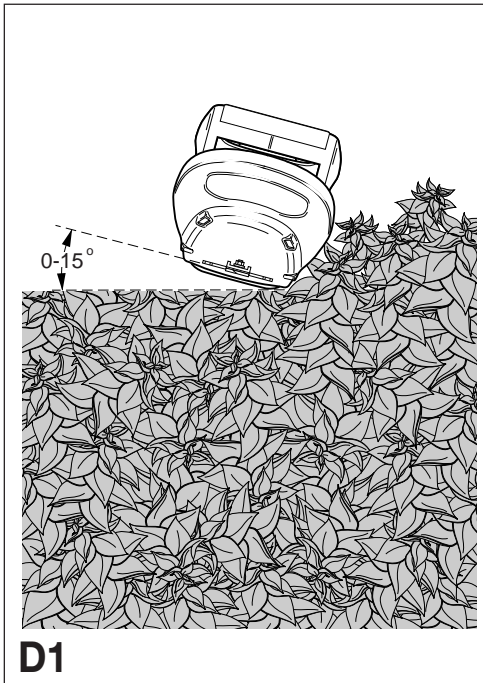
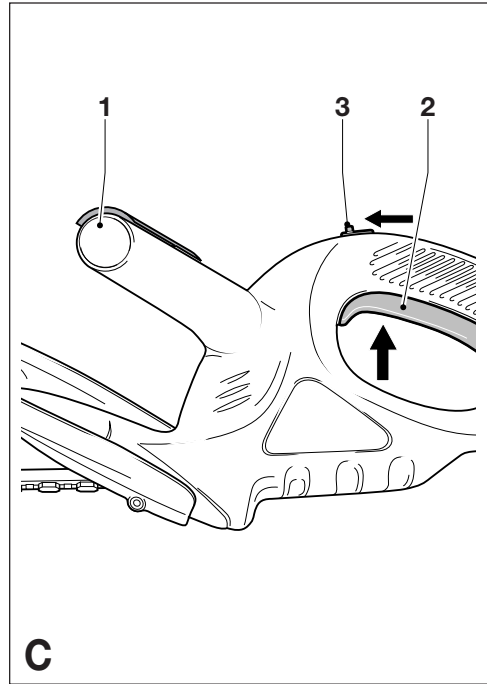
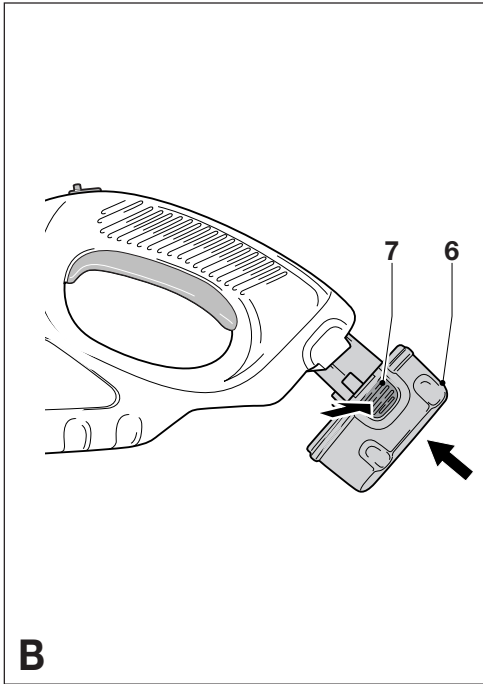
<b>English</b>	<b>6</b>
<b>Deutsch</b>	<b>13</b>
<b>Français</b>	<b>20</b>
<b>Italiano</b>	<b>27</b>
<b>Nederlands</b>	<b>34</b>
<b>Español</b>	<b>41</b>
<b>Português</b>	<b>48</b>
<b>Svenska</b>	<b>54</b>
<b>Norsk</b>	<b>60</b>
<b>Dansk</b>	<b>66</b>
<b>Suomi</b>	<b>72</b>
<b>Ελληνικά</b>	<b>78</b>

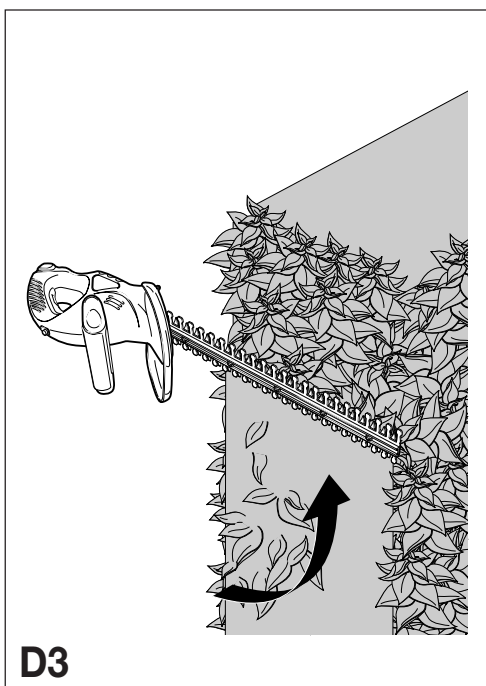


Copyright Black & Decker











**ENGLISH**

# CORDLESS HEDGETRIMMER GTC410/GTC510

## CONGRATULATIONS!

You have chosen a Black & Decker tool. Our aim is to provide quality tools at an affordable price. We hope that you will enjoy using this tool for many years.

## EC DECLARATION OF CONFORMITY



GTC410/GTC510

Black & Decker declares that these tools conform to: 98/37/EC, 89/336/EEC, 73/23/EEC, EN 50260, EN 55014, EN 61000, EN 60335

Level of sound pressure, measured according to EN 50260:

		GTC410	GTC510
$L_{pA}$	(sound pressure) dB(A)	80	80
$L_{WA}$	(acoustic power) dB(A)	93	93



Always wear ear protection if the sound pressure exceeds 85 dB(A).

Hand/arm weighted vibration value according to EN 50260:

	GTC410	GTC510
	< 2.5 m/s <sup>2</sup>	< 2.5 m/s <sup>2</sup>

Brian Cooke  
Director of Engineering  
Spennymoor, County Durham DL16 6JG,  
United Kingdom

## INTENDED USE

Your Black & Decker hedgetrimmer GTC410/GTC510 has been designed for trimming hedges, shrubs and brambles. This tool is intended for consumer use only.

Your Black & Decker charger has been designed for charging Black & Decker batteries of the type supplied with this tool.

## SAFETY INSTRUCTIONS

### Warning symbols

The following symbols are used in this manual:



Denotes risk of personal injury, loss of life or damage to the tool in case of non-observance of the instructions in this manual.



Denotes risk of electric shock.



Read the manual prior to operation.



Fire hazard.

### Know your tool



- ◆ **Warning!** Carefully observe the instructions in this manual to reduce the risk of personal injury or material damage.
- ◆ Read all of this manual carefully before operating the tool.
- ◆ Before operating the tool, make sure that you know how to switch the tool off in an emergency.
- ◆ Retain this manual for future reference.



## ENGLISH

### General

#### 1. Consider work area environment

Do not expose the tool to rain. Do not use the tool in damp or wet conditions. Keep the work area well lit. Do not use the tool where there is a risk of causing fire or explosion, i.e. in the presence of flammable liquids and gases. Keep the work area free from debris and obstacles.

#### 2. Keep children away

Do not allow children, visitors or animals to come near the work area or to touch the tool.

#### 3. Store idle tools

When not in use, tools and batteries should be stored in a dry place, out of reach of children.

#### 4. Dress properly

Do not wear loose clothing or jewellery, as these can be caught in moving parts. Preferably wear working gloves and non-slip footwear when working outdoors. Wear protective hair covering to keep long hair out of the way.

#### 5. Personal protection

Wear safety goggles and a face or dust mask whenever the operations may produce dust or flying particles. Wear ear protection whenever the sound level seems uncomfortable.

#### 6. Do not overreach

Keep proper footing and balance at all times.

#### 7. Stay alert

Watch what you are doing. Use common sense. Do not operate the tool when you are tired.

#### 8. Use appropriate tool

The intended use is described in this instruction manual. Do not force small tools or attachments to do the job of a heavy-duty tool. The tool will do the job better and safer at the rate for which it was intended. The use of any accessory or attachment or performance of any operation with this tool other than those recommended in this instruction manual may present a risk of personal injury. Do not force the tool.

#### 9. Maintain tools with care

Keep cutting tools sharp and clean for better and safer performance. Follow the instructions for maintenance and changing accessories. Keep handles and switches dry, clean and free from oil and grease.

#### 10. Check for damaged parts

Before using the tool, carefully check it for damage to ensure that it will operate properly and perform its intended function. Check for misalignment and seizure of moving parts, breakage of parts and any other conditions that may affect its operation. Have any defective parts repaired or replaced by an authorised repair agent. Do not use the tool if any part is defective. Never attempt any repairs yourself.

#### 11. Remove the battery

Remove the battery when the tool is not in use, before changing any parts of the tool, accessories or attachments and before servicing.

#### 12. Avoid unintentional starting

Do not carry the tool with a finger on the on/off switch.

#### 13. Do not abuse cord

Never carry the charger by its cord or pull it to disconnect from the socket. Keep the cord away from heat, oil and sharp edges.

### *Additional safety instructions for batteries and chargers*

#### Batteries

- ◆ Never attempt to open for any reason.
- ◆ Do not expose to water.
- ◆ Do not store in locations where the temperature may exceed 40 °C.
- ◆ Charge only at ambient temperatures between 4 °C and 40 °C.
- ◆ Charge only using the charger provided with the tool (see technical data).
- ◆ Before charging, make sure that the battery is dry and clean.
- ◆ Use only the correct type of battery for the tool (see technical data).
- ◆ When disposing of batteries, follow the instructions given in the section "Protecting the environment".
- ◆ Under extreme conditions, battery leakage may occur. When you notice liquid on the battery, proceed as follows:



## ENGLISH

- Carefully wipe the liquid off using a cloth. Avoid skin contact.
- In case of skin or eye contact, follow the instructions below.



Wear gloves when operating this tool.



Do not expose the tool to rain or high humidity.



The battery fluid, a 25-30% solution of potassium hydroxide, can be harmful. In case of skin contact, immediately rinse with water. Neutralise with a mild acid such as lemon juice or vinegar. In case of eye contact, rinse abundantly with clean water for at least 10 minutes. Consult a physician.



Fire hazard! Avoid short-circuiting the contacts of a detached battery (e.g. when storing the battery in a toolbox).



Do not incinerate the battery.



Do not attempt to charge damaged batteries.

### Chargers

- ◆ Use your Black & Decker charger only to charge batteries of the type supplied with your tool. Other batteries could burst, causing personal injury and damage.
- ◆ Never attempt to charge non-rechargeable batteries.
- ◆ Have defective cords replaced immediately.
- ◆ Do not expose to water.
- ◆ Do not open the charger.
- ◆ Do not probe the charger.



Intended for indoor use only.

### Additional safety instructions for hedgetrimmers



Wear safety goggles when operating this tool.



Wear ear protection when operating this tool.

- ◆ Do not carry the tool with your hands on the front handle switch or the trigger switch unless the battery has been removed.
- ◆ If you have not used a hedgetrimmer before, preferably seek practical instruction by an experienced user in addition to studying this manual.
- ◆ Never touch the blades while the tool is running.
- ◆ Never attempt to force the blades to come to a standstill.
- ◆ Do not put the tool down until the blades have come to a complete standstill.
- ◆ Do not use the tool when the blades are worn or damaged.
- ◆ Take care to avoid hard objects (e.g. metal wire, railings) when trimming. Should you accidentally hit any such object, immediately switch the tool off and check for any damage.
- ◆ Should the tool start to vibrate abnormally, immediately switch it off and check for any damage.
- ◆ If the tool stalls, immediately switch it off. Remove the battery before attempting to remove any obstructions.
- ◆ After use, place the blade sheath supplied over the blades.
- ◆ Always ensure that all guards are fitted when using the tool. Never attempt to use an incomplete tool or a tool with unauthorised modifications.
- ◆ Never allow children to use the tool.

### ELECTRICAL SAFETY

Your charger has been designed for a specific mains voltage. Always check that the mains voltage corresponds to the voltage on the rating plate.



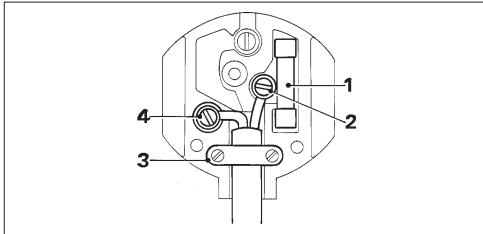
Your charger is double insulated in accordance with EN 60335; therefore no earth wire is required.





## ENGLISH

### Mains plug replacement (U.K. & Ireland only)



- ◆ Should your mains plug need replacing and you are competent to do this, proceed as instructed below. If you are in doubt, contact an authorised repair agent or a qualified electrician.
- ◆ Disconnect the plug from the supply.
- ◆ Cut off the plug and dispose of it safely; a plug with bared copper conductors is dangerous if engaged in a live socket outlet.
- ◆ Only fit 13 Amperes BS1363A approved plugs fitted with a 3 A fuse (1).
- ◆ The cable wire colours, or a letter, will be marked at the connection points of most good quality plugs. Attach the wires to their respective points in the plug (see above). Brown is for Live (L) (2), blue is for Neutral (N) (4).
- ◆ Before replacing the top cover of the mains plug ensure that the cable restraint (3) is holding the outer sheath of the cable firmly and that the leads are correctly fixed at the terminal screws.
- ◆ After replacing the fuse in the moulded plug, make sure that the fuse cover is refitted. Do not use the plug if the fuse cover is missing or damaged.



Never use a light socket.

### CARTON CONTENTS

The carton contains:

- 1 Cordless hedgetrimmer
- 1 Battery
- 1 Charger
- 1 Blade sheath
- 1 Instruction manual

- ◆ Carefully unpack all parts.

### OVERVIEW (fig. A)

1. Front handle switch
2. Trigger switch
3. Lock-off button
4. Ventilation slots
5. Guard
6. Battery
7. Battery release buttons
8. Charger
9. Charging indicator
10. End of charge indicator
11. Blade sheath

### ASSEMBLY



Before assembly, remove the battery from the tool.

### Fitting and removing the battery (fig. B)

- ◆ To fit the battery (6), line it up with the receptacle on the tool. Slide the battery into the receptacle and push until the battery snaps into place.
- ◆ To remove the battery, push the two release buttons (7) simultaneously while at the same time pulling the battery out of the receptacle.

### USE



Let the tool work at its own pace. Do not overload.

### Charging the battery (fig. A)

The battery needs to be charged before first use and whenever it fails to produce sufficient power on jobs that were easily done before. When charging the battery for the first time, or after prolonged storage, it will only accept an 80% charge. After several charge and discharge cycles, the battery will attain full capacity. The battery may become warm while charging; this is normal and does not indicate a problem.



Do not charge the battery at ambient temperatures below 4 °C or above 40 °C. Recommended charging temperature: approx. 24 °C.



## ENGLISH

- ◆ To charge the battery (6), remove it from the tool and insert it into the charger (8). The battery will only fit into the charger in one way. Do not force. Be sure that the battery is fully seated in the charger.
- ◆ Plug in the charger.

### 3 hour charger

The battery will be fully charged in approx. 3 hours. It can be removed at any time or left in the connected charger indefinitely.

### 1 hour charger

- ◆ Check if the red charging indicator (9) lights up. If the green end of charge indicator (10) lights up now instead, the battery is too hot and cannot be charged. If this happens, remove the battery from the charger, let the battery cool down for approx. 1 hour and re-insert it.

After approx. 1 hour of charging, the red charging indicator (9) will stop lighting and the green end of charge indicator (10) will light up. The battery is now fully charged.

- ◆ Remove the battery from the charger.

### Switching on and off (fig. C)

For your safety, this tool is equipped with a double switching system. This system prevents starting the tool inadvertently and will only allow operation while holding the tool with both hands.

#### Switching on

- ◆ Squeeze the front handle switch (1).
- ◆ Push the lock-off button (3) forward using your thumb and at the same time squeeze the trigger switch (2).
- ◆ Release the lock-off button.

#### Switching off

- ◆ Release the front handle switch (1) or the trigger switch (2).



Never attempt to lock a switch in the on position.

### Hints for optimum use

- ◆ Slightly tilt the tool (up to 15° relative to the line of cut) so that the blade tips point slightly towards the hedge (fig. D1). This will cause the blades to cut more effectively.
- ◆ Start by trimming the top of the hedge. Hold the tool at the desired angle and move it steadily along the line of cut (fig. D2). The double-sided blade allows you to cut in either direction.
- ◆ In order to obtain a very straight cut, stretch a piece of string along the length of the hedge at the desired height. Use the string (12) as a guideline, cutting just above it (fig. D2).
- ◆ In order to obtain flat sides, cut upwards with the growth (fig. D3). Younger stems move outwards when the blade cuts downwards, causing shallow patches in the hedge.
- ◆ Take care to avoid any foreign objects. Especially avoid hard objects such as metal wire and railings, as these could damage the blades (fig. D4).
- ◆ Regularly oil the blades.
- ◆ Consider purchasing a spare battery to extend the running time of this tool. The catalogue number of the battery is found in the technical data chart below.

## MAINTENANCE

Your Black & Decker tool has been designed to operate over a long period of time with a minimum of maintenance. Continuous satisfactory operation depends upon proper tool care and regular cleaning.

Your charger does not require any maintenance apart from regular cleaning.



- ◆ Before performing any maintenance on the tool, remove the battery from the tool.
- ◆ Unplug the charger before cleaning it.
- ◆ After use, carefully clean the blades. After cleaning, apply a film of light machine oil to prevent the blades from rusting.
- ◆ Regularly clean the ventilation slots in your tool and charger using a soft brush or dry cloth.





## ENGLISH

- ◆ Regularly clean the motor housing using a damp cloth. Do not use any abrasive or solvent-based cleaner.

### Protecting the environment

#### Tools



Should you find one day that your tool needs replacement, or if it is of no further use to you, think of the protection of the environment. Black & Decker repair agents will accept old Black & Decker tools and ensure that they are disposed off in an environmentally safe way.

#### Batteries



Black & Decker batteries can be recharged many times. At the end of their useful life, discard batteries with due care for our environment:

- ◆ Run the battery down completely, then remove it from the tool.
- ◆ NiCd and NiMH batteries are recyclable. Take them to your service agent or a local recycling station. Collected batteries will be recycled or disposed of properly.

#### Technical data

		GTC410	GTC510
Voltage	$V_{DC}$	12	14.4
Blade strokes (no load)	$\text{min}^{-1}$	1,200	1,200
Blade length	cm	43	51
Blade gap	mm	12	12
Blade brake time	s	< 0.5	< 0.5
Battery cat. no.		A9275	A9276
Weight (without battery)	kg	1.95	2.05

Battery		A9275	A9276
Voltage	$V_{DC}$	12	14.4
Capacity	Ah	1.25	1.5
Weight	kg	0.6	0.7

Charger			
Input voltage	$V_{AC}$	230	230
Approx. charging time	h	3	1
Weight	kg	0.4	1.2

#### GUARANTEE

**The Black & Decker lawn and garden guarantee provides: 36 months parts and 12 months labour cover in the UK, 24 months parts and labour cover in South Africa, Australia and New Zealand. Proof of purchase will be required.**

Should your Black & Decker product become defective within the guarantee period due to faulty materials or workmanship, we guarantee to either replace all defective parts or -at our discretion- to replace the unit free of charge, provided that:

- ◆ The product is returned to us or one of our authorised repair agents with proof of purchase.
- ◆ The product has been used within the parameters of its consumer classification.
- ◆ The product has not been used for hire purposes.
- ◆ Repairs have not been attempted by anyone other than our authorised repair agents.
- ◆ The failure represents normal wear and tear.

This guarantee is offered as an extra benefit and does not affect your statutory rights.

#### The guarantee policy

The following failures are not covered by the above guarantee:

- ◆ Replacing worn or damaged blades, nylon lines, chains and power cables. These items are regarded as replacement items which wear during normal usage.
- ◆ Failures as a result of sudden impact or obvious abuse.
- ◆ Failures due to usage not in accordance with instructions and recommendations contained in this manual.

**The use of other than genuine Black & Decker accessories and parts may cause decreased performance or damage to the product and will render the guarantee void.**

#### AFTER SALES SERVICE

Full details on our after-sales service are available on the Internet at [www.2helpU.com](http://www.2helpU.com).

Alternatively, contact our Service and Information Centre at the address towards the back of this manual.



## ENGLISH

It is our aim that all Black & Decker customers should be totally satisfied with their Black & Decker product and our after sales service. If any help or advice is needed, please contact your local Black & Decker repair agent.

If your product needs repair, please take or send it to an authorised repair agent, providing proof of purchase if claiming a guarantee repair. Black & Decker offers a nationwide network of authorised repair agents.

Full details on our after sales service can be obtained from any of our authorised repair agents.

### OTHER OUTDOOR TOOLS

Black & Decker has a full range of outdoor power tools that make life in the garden easy. If you would like further information on the following products, please contact our Service and Information Centre (see the address page towards the end of this manual) or your local Black & Decker retailer.

Blade and string trimmers	Chainsaws
Cordless shears	Cordless trimmers
Hedgetrimmers	Lawnmowers
Lawnrakers	Leafbusters
Shredders	
Cordless brooms and shrubbers	

Not all products are available in all countries.



**DEUTSCH**

## AKKU-HECKENSCHERE GTC410/GTC510

### HERZLICHEN GLÜCKWUNSCH!

Sie haben sich für ein Gerät von Black & Decker entschieden. Wir möchten Qualitätsgeräte zu einem erschwinglichen Preis bieten. Wir hoffen, daß Sie dieses Gerät viele Jahre mit Freude verwenden werden.

### EU-KONFORMITÄTSERKLÄRUNG



GTC410/GTC510

Black & Decker erklärt hiermit, daß diese Geräte entsprechend folgenden Richtlinien und Normen konzipiert wurden: 98/37/EWG, 89/336/EWG, 73/23/EWG, EN 50260, EN 55014, EN 61000, EN 60335

Höhe des Schalldrucks, gemessen nach EN 50260:

		GTC410	GTC510
$L_{pA}$	(Schalldruck) dB(A)	80	80
$L_{WA}$	(Schalleistung) dB(A)	93	93



Tragen Sie bei einem Schalldruck über 85 dB(A) einen Gehörschutz.

Gewichteter Effektivwert der Beschleunigung nach EN 50260:

	GTC410	GTC510
	< 2,5 m/s <sup>2</sup>	< 2,5 m/s <sup>2</sup>

Brian Cooke  
Director of Engineering  
Spennymoor, County Durham DL16 6JG,  
United Kingdom

### BESTIMMUNGSGEMÄSSE

#### VERWENDUNG

Ihre Black & Decker Heckenschere GTC410/ GTC510 wurde zum Schneiden von Hecken und Sträuchern entwickelt. Dieses Gerät ist nicht für den gewerblichen Einsatz vorgesehen. Ihr Black & Decker Ladegerät wurde zum Laden von Black & Decker Akkus vom im Lieferumfang enthaltenen Typ entwickelt.

### SICHERHEITSHINWEISE

#### Warnsymbole

Folgende Warnsymbole werden in dieser Anleitung verwendet:



Verletzungsgefahr, Lebensgefahr oder mögliche Beschädigung des Geräts infolge der Nichtbeachtung der Anweisungen dieser Anleitung!



Gefahr eines elektrischen Schlages.



Lesen Sie vor der Inbetriebnahme die Anleitung.



Feuergefahr.

#### **Kennen Sie Ihr Gerät**



- ◆ **Warnung!** Befolgen Sie die in dieser Anleitung enthaltenen Hinweise genau, um Verletzungen und Sachschäden vorzubeugen.
- ◆ Lesen Sie diese Anleitung gründlich durch, bevor Sie das Gerät verwenden.
- ◆ Informieren Sie sich vor der Inbetriebnahme, wie Sie das Gerät im Notfall ausschalten.
- ◆ Bewahren Sie diese Anleitung auf.



## DEUTSCH

### Allgemeines

#### 1. Berücksichtigen Sie Umgebungseinflüsse!

Setzen Sie das Gerät keinem Regen aus. Verwenden Sie das Gerät nicht in einer feuchten oder nassen Umgebung. Sorgen Sie für eine gute Beleuchtung des Arbeitsbereiches. Benutzen Sie das Gerät nicht an Orten, wo Feuergefahr oder Explosionsgefahr besteht, z.B. in der Nähe von brennbaren Flüssigkeiten oder Gasen. Halten Sie den Arbeitsbereich frei von Abfällen und Hindernissen.

#### 2. Halten Sie Kinder fern!

Halten Sie Kinder, Besucher und Tiere dem Arbeitsbereich fern und sorgen Sie dafür, daß Sie das Gerät nicht berühren.

#### 3. Bewahren Sie Ihre Geräte sicher auf!

Unbenutzte Geräte und Akkus sind an einem trockenen, für Kinder nicht erreichbaren Ort aufzubewahren.

#### 4. Tragen Sie geeignete Arbeitskleidung!

Tragen Sie keine weite Kleidung oder Schmuck, da diese von sich bewegenden Teilen erfaßt werden können. Beim Arbeiten im Freien sind Arbeitshandschuhe und rutschfestes Schuhwerk empfehlenswert. Tragen Sie bei langen Haaren ein Haarnetz.

#### 5. Schutzmaßnahmen:

Tragen Sie eine Schutzbrille und eine Atemschutzmaske, falls die Arbeiten Staub oder Späne erzeugen können. Tragen Sie bei einem hohen oder unangenehmen Schallpegel immer einen Gehörschutz.

#### 6. Achten Sie auf einen sicheren Stand!

Achten Sie auf einen sicheren Stand, um in jeder Arbeitsposition das Gleichgewicht zu halten.

#### 7. Seien Sie stets aufmerksam!

Konzentrieren Sie sich auf Ihre Arbeit. Gehen Sie vernünftig vor. Verwenden Sie das Gerät nicht, wenn Sie müde sind.

#### 8. Benutzen Sie das richtige Gerät!

Die bestimmungsgemäße Verwendung ist in dieser Betriebsanleitung beschrieben. Verwenden Sie keine zu schwachen Geräte oder Zubehörteile für schwere Arbeiten. Mit dem richtigen Gerät erzielen Sie eine optimale Qualität und gewährleisten Ihre persönliche Sicherheit.

Das Verwenden anderer als der in dieser Anleitung empfohlenen Vorsatzgeräte und Zubehörteile oder die Ausführung von Arbeiten mit diesem Gerät, die nicht der bestimmungsgemäßen Verwendung entsprechen, kann zu Unfallgefahren führen. Überlasten Sie das Gerät nicht.

#### 9. Pflegen Sie Ihre Geräte mit Sorgfalt!

Halten Sie Schneidwerkzeuge scharf und sauber, um gut und sicher arbeiten zu können. Befolgen Sie die Wartungsvorschriften und die Hinweise für den Werkzeugwechsel. Halten Sie Handgriffe und Schalter trocken, sauber und frei von Öl und Fett.

#### 10. Kontrollieren Sie Ihr Gerät auf Beschädigungen!

Vor Gebrauch ist das Gerät auf einwandfreie und bestimmungsgemäße Funktion zu überprüfen. Überprüfen Sie, ob die beweglichen Teile einwandfrei funktionieren und ob Teile beschädigt sind. Sämtliche Teile müssen richtig montiert sein, um den einwandfreien Betrieb des Gerätes zu gewährleisten. Lassen Sie defekte Teile immer von einer unserer Kundendienstwerkstätten reparieren oder austauschen. Benutzen Sie das Gerät nicht, wenn irgendein Teil defekt ist. Versuchen Sie nie, das Gerät selber zu reparieren.

#### 11. Entfernen Sie den Akku:

Entfernen Sie den Akku, wenn Sie das Gerät nicht benutzen, bevor Sie irgendwelche Werkzeuge, Zubehörteile oder Geräteteile auswechseln und bevor Sie irgendwelche Wartungsarbeiten vornehmen.

#### 12. Vermeiden Sie ein unbeabsichtigtes Einschalten!

Tragen Sie das Gerät nicht mit dem Finger am Ein-/Aus-Schalter.

#### 13. Behandeln Sie das Kabel sorgfältig!

Tragen Sie das Ladegerät nicht am Kabel und benutzen Sie das Kabel nicht, um den Stecker aus der Steckdose zu ziehen. Schützen Sie das Kabel vor Hitze, Öl und scharfen Kanten.



## DEUTSCH

### Zusätzliche Sicherheitshinweise für Akkus und Ladegeräte

#### Akkus

- ◆ Versuchen Sie auf keinen Fall, einen Akku zu öffnen.
- ◆ Setzen Sie den Akku keiner Nässe aus.
- ◆ Lagern Sie den Akku nicht an einem Ort, wo die Temperatur 40 °C erreichen kann.
- ◆ Laden Sie den Akku nur bei einer Umgebungstemperatur zwischen 4 °C und 40 °C.
- ◆ Laden Sie den Akku nur mit dem im Lieferumfang enthaltenen Ladegerät (siehe technische Daten).
- ◆ Vergewissern Sie sich vor dem Laden, daß der Akku trocken und sauber ist.
- ◆ Verwenden Sie den korrekten Akkutyp für das jeweilige Gerät (siehe technische Daten).
- ◆ Befolgen Sie bei der Entsorgung von Akkus die Anweisungen im Abschnitt "Umweltschutz".
- ◆ Unter extremen Einsatzbedingungen kann Akkuflüssigkeit aus dem Akku austreten. Wenn sich Flüssigkeit auf dem Akku befindet, gehen Sie folgendermaßen vor:
  - Wischen Sie die Flüssigkeit mit Hilfe eines Tuches vorsichtig vom Akku. Vermeiden Sie eine Berührung mit der Haut.
  - Falls die Flüssigkeit doch mit der Haut oder den Augen in Berührung kommen sollte, befolgen Sie die folgenden Hinweise.



Die Akkuflüssigkeit, eine 25 bis 30% starke Kaliumhydroxidlösung, kann schädlich sein. Falls die Lösung mit der Haut in Berührung kommt, spülen Sie sofort mit reichlich Wasser. Neutralisieren Sie die Lösung mit einer milden Säure wie Zitronensaft oder Essig. Falls die Lösung mit den Augen in Berührung kommt, spülen Sie mindestens 10 Minuten lang mit reichlich klarem Wasser. Wenden Sie sich an einen Arzt.



Feuergefahr! Vermeiden Sie, daß Metallteile die Anschlüsse eines nicht am Gerät befindlichen Akkus kurzschließen (z.B. Schlüssel, die zusammen mit dem Akku in einer Tasche getragen werden).



Verbrennen Sie den Akku nicht!



Versuchen Sie nie, einen beschädigten Akku zu laden!

#### Ladegeräte

- ◆ Verwenden Sie Ihr Black & Decker Ladegerät nur zum Laden von Akkus vom im Lieferumfang enthalten Typ. Andere Akkus könnten platzen und Sach- und Personenschäden verursachen.
- ◆ Versuchen Sie nie, nichtwiederaufladbare Batterien zu laden.
- ◆ Lassen Sie ein beschädigtes Kabel sofort austauschen.
- ◆ Setzen Sie das Ladegerät keiner Nässe aus.
- ◆ Öffnen Sie das Ladegerät nicht.
- ◆ Fassen Sie nicht mit den Fingern oder irgendwelchen Gegenständen in das Ladegerät.



Nicht für die Verwendung im Freien zugelassen!

### Zusätzliche Sicherheitshinweise für Heckenscheren



Tragen Sie bei der Verwendung dieses Geräts eine Schutzbrille!



Tragen Sie bei der Verwendung dieses Geräts einen Gehörschutz!



Tragen Sie bei der Verwendung dieses Geräts Handschuhe!



Setzen Sie das Gerät keinem Regen oder hoher Feuchtigkeit aus.

- ◆ Tragen Sie das Gerät nicht mit den Händen am Zweithandschalter oder am Betriebsschalter, während der Akku sich am Gerät befindet.
- ◆ Falls Sie noch nie zuvor eine Heckenschere benutzt haben, lassen Sie sich möglichst von einem erfahrenen Benutzer einweisen. Lesen Sie darüber hinaus diese Anleitung sorgfältig durch.



## DEUTSCH

- ◆ Berühren Sie die Messer nicht, während das Gerät läuft.
- ◆ Versuchen Sie nie, die Messer mit Gewalt zum Stillstand zu bringen.
- ◆ Legen Sie das Gerät nicht nieder, bevor die Messer zum Stillstand gekommen sind.
- ◆ Verwenden Sie das Gerät nicht, wenn die Messer abgenutzt oder beschädigt sind.
- ◆ Sorgen Sie dafür, daß Sie beim Schneiden nicht auf harte Objekte (z.B. Metalldraht, Gitter) stoßen. Sollten Sie versehentlich doch auf einen harten Gegenstand stoßen, schalten Sie das Gerät sofort aus und überprüfen es auf etwaige Beschädigungen.
- ◆ Sollte das Gerät plötzlich stark vibrieren, schalten Sie es sofort aus und überprüfen es auf etwaige Beschädigungen.
- ◆ Wenn das Gerät sich festfährt, schalten Sie es sofort aus. Entfernen Sie den Akku, bevor Sie versuchen, die Blockierung zu beseitigen.
- ◆ Nach dem Gebrauch bringen Sie die im Lieferumfang enthaltene Messerhülle auf den Messern an.
- ◆ Vergewissern Sie sich vor dem Gebrauch immer, daß alle Schutzvorrichtungen ordnungsgemäß montiert sind. Versuchen Sie nie, ein Gerät zu verwenden, von dem Teile fehlen oder an dem unbefugte Änderungen vorgenommen wurden.
- ◆ Verbieten Sie Kindern die Verwendung des Gerätes.

### ELEKTRISCHE SICHERHEIT

Überprüfen Sie, ob die Netzspannung der auf dem Typenschild des Ladegerätes angegebenen Spannung entspricht.



Ihr Ladegerät ist gemäß EN 60335 zweifach isoliert; eine Erdleitung ist somit nicht erforderlich.

(CH)

Bei Ersatz des Netzkabels achten Sie auf Verwendung des Schweizer Netzsteckers: Typ 11 für Geräte Klasse II (Doppelisolierung)

### INHALT DER VERPACKUNG

Die Verpackung enthält:

- 1 Akku-Heckenschere
- 1 Akku
- 1 Ladegerät
- 1 Messerhülle
- 1 Bedienungsanleitung

- ◆ Packen Sie sorgfältig alle Teile aus.

### GERÄTEBESCHREIBUNG (Abb. A)

1. Zweithandschalter
2. Betriebsschalter
3. Einschaltsperr
4. Lüftungsschlitze
5. Handschutz
6. Akku
7. Akku-Löseknöpfe
8. Ladegerät
9. Ladeanzeige
10. Statusanzeige
11. Messerhülle

### MONTAGE



Nehmen Sie vor der Montage den Akku vom Gerät.

### Anbringen und Entfernen des Akkus (Abb. B)

- ◆ Um den Akku (6) anzubringen, richten Sie ihn mit der Aufnahme im Akku-Gerät aus. Stecken Sie den Akku in die Aufnahme und drücken Sie, bis er einrastet.
- ◆ Um den Akku zu entfernen, drücken Sie beide Löseknöpfe (7) gleichzeitig und ziehen Sie den Akku aus der Aufnahme heraus.

### GEBRAUCH



Beschleunigen Sie den Arbeitsvorgang nicht mit Gewalt. Vermeiden Sie eine Überlastung des Gerätes.







## DEUTSCH

### Laden des Akkus (Abb. A)

Der Akku ist zu laden, bevor Sie das Akku-Gerät zum ersten Mal benutzen sowie wenn die Leistung des Akku-Geräts spürbar nachläßt. Wenn der Akku zum ersten Mal oder nach längerer Lagerung geladen wird, wird er nur 80% der Nennkapazität erreichen. Erst nach mehreren Lade- und Entladezyklen wird der Akku die volle Kapazität erreichen. Während des Ladens kann sich der Akku erwärmen. Dies deutet nicht auf irgendein Problem hin.



Laden Sie den Akku nicht bei einer Umgebungstemperatur unter 4 °C oder über 40 °C. Empfohlene Ladetemperatur: zirka 24 °C.

- ◆ Um den Akku (6) zu laden, entfernen Sie ihn vom Gerät und stecken ihn in das Ladegerät (8). Der Akku läßt sich nur in einer Stellung in das Ladegerät einführen. Wenden Sie keine Gewalt an. Vergewissern Sie sich, daß der Akku vollständig in das Ladegerät eingeführt ist.
- ◆ Stecken Sie den Netzstecker des Ladegerätes in die Steckdose.

### 3-Stunden-Ladegerät

Der Akku wird in zirka 3 Stunden vollständig geladen. Er kann jederzeit aus dem Ladegerät entfernt oder für eine unbegrenzte Zeit im Ladegerät belassen werden.

### 1-Stunden-Ladegerät

- ◆ Überprüfen Sie, ob die rote Ladeanzeige (9) aufleuchtet. Falls statt dessen die grüne Statusanzeige (10) aufleuchtet, ist der Akku zu heiß zum Laden. Ist dies der Fall, so nehmen Sie den Akku aus dem Ladegerät, lassen ihn eine Stunde lang abkühlen und stecken ihn dann wieder in das Ladegerät.

Nach dem zirka einstündigen Ladevorgang erlischt die rote Ladeanzeige (9) und leuchtet die grüne Statusanzeige (10) auf. Der Akku ist nun vollständig geladen.

- ◆ Entfernen Sie den Akku aus dem Ladegerät.

### Ein- und Ausschalten (Abb. C)

Aus Sicherheitsgründen ist dieses Gerät mit einem Zweischalersystem versehen. Dieses System verhindert ein unbeabsichtigtes Einschalten des Gerätes und erlaubt den Betrieb nur, wenn Sie das Gerät in beiden Händen halten.

#### Einschalten

- ◆ Halten Sie den Zweithandschalter (1) gedrückt.
- ◆ Schieben Sie mit dem Daumen die Einschaltsperrle (3) nach vorne und betätigen Sie gleichzeitig den Betriebsschalter (2).
- ◆ Lassen Sie die Einschaltsperrle los.

#### Ausschalten

- ◆ Lassen Sie den Zweithandschalter (1) oder den Betriebsschalter (2) los.



Versuchen Sie nie, einen Schalter in der eingeschalteten Stellung zu arretieren.

### Ratschläge für optimale Arbeitsergebnisse

- ◆ Neigen Sie das Gerät ein wenig (max. 15° von der Schnittlinie), so daß die Messerspitzen mehr in Richtung der Hecke zeigen (Abb. D1). So schneiden die Messer besser.
- ◆ Schneiden Sie zuerst die Oberseite der Hecke. Halten Sie das Gerät im gewünschten Winkel und bewegen Sie es gleichmäßig entlang der Schnittlinie (Abb. D2). Da die Messer an beiden Seiten schneiden, können Sie sowohl nach links als auch nach rechts schneiden.
- ◆ Um einen sehr geraden Schnitt zu erzielen, spannen Sie auf der gewünschten Höhe einen Faden über die gesamte Breite der Hecke. Verwenden Sie den Faden (12) als Richtschnur, indem Sie unmittelbar oberhalb des Fadens schneiden (Abb. D2).
- ◆ Um flache Seiten zu erhalten, schneiden Sie aufwärts (Abb. D3). Wenn die Messer nach unten schneiden, bewegen sich jüngere Zweige nach außen. Dies führt zu schmalen Fetzen in der Hecke.
- ◆ Sorgen Sie dafür, daß Sie nicht auf Fremdkörper stoßen. Sorgen Sie vor allem dafür, daß Sie nicht auf harte Objekte wie Metalldraht und Gitter stoßen, da dies zu einer Beschädigung der Messer führen kann (Abb. D4).



## DEUTSCH

- ◆ Schmieren Sie die Messer regelmäßig mit Öl ein.
- ◆ Kaufen Sie bei Bedarf einen weiteren Akku, damit die Laufzeit Ihres Gerätes verlängert wird. Die Bestellnummer des Akkus finden Sie in der Übersicht über die technischen Daten.

### WARTUNG

Ihr Black & Decker Gerät wurde für eine lange Lebensdauer und einen möglichst geringen Wartungsaufwand entwickelt. Ein dauerhafter, einwandfreier Betrieb setzt eine regelmäßige Reinigung voraus.

Ihr Ladegerät bedarf keiner Wartung, außer einer regelmäßigen Reinigung.



- ◆ Bevor Sie irgendwelche Wartungsarbeiten vornehmen, entfernen Sie den Akku vom Akku-Gerät.
- ◆ Ziehen Sie den Netzstecker des Ladegerätes aus der Steckdose, bevor Sie es reinigen.
- ◆ Reinigen Sie nach dem Gebrauch vorsichtig die Messer. Nach dem Reinigen bringen Sie zum Schutz vor Korrosion ein wenig Maschinenöl auf den Messern an.
- ◆ Reinigen Sie regelmäßig die Lüftungsschlitze im Gerät und im Ladegerät mit Hilfe einer weichen Bürste oder eines trockenen Tuches.
- ◆ Reinigen Sie regelmäßig das Motorgehäuse mit Hilfe eines feuchten Tuches. Verwenden Sie keine scheuernden Reinigungsmittel oder Reinigungsmittel auf Lösungsmittelbasis.

### Umweltschutz

#### Geräte



Falls Sie Ihr Gerät eines Tages ersetzen möchten oder keine Verwendung mehr dafür haben, denken Sie bitte an den Umweltschutz. Black & Decker nimmt Ihre Black & Decker Altgeräte gerne zurück und sorgt für eine umweltfreundliche Entsorgung.

#### Akkus



Black & Decker Akkus lassen sich viele Male wiederaufladen. Am Ende des technischen Lebens ist der Akku mit Rücksicht auf die Umwelt und fachgerecht zu entsorgen:

- ◆ Entladen Sie den Akku vollständig und entfernen Sie ihn vom Gerät.
- ◆ NiMH- und NiCd-Akkus sind wiederverwertbar. Zur Wiederverwertung oder umweltverträglichen Entsorgung sind sie bei Ihrem Händler oder einer kommunalen Sammelstelle abzugeben. Auf keinen Fall dürfen Akkus über den Hausmüll entsorgt werden.

### Technische Daten

		GTC410	GTC510
Spannung	$V_{DC}$	12	14,4
Messerbewegungen (Leerlauf)	$min^{-1}$	1.200	1.200
Messerlänge	cm	43	51
Messeröffnung	mm	12	12
Messerbremszeit	Sek.	< 0,5	< 0,5
Bestellnummer Akku		A9275	A9276
Gewicht (ohne Akku)	kg	1,95	2,05

Akku		A9275	A9276
Spannung	$V_{DC}$	12	14,4
Kapazität	Ah	1,25	1,5
Gewicht	kg	0,6	0,7

Ladegerät			
Netzspannung	$V_{AC}$	230	230
Ladezeit (zirka)	Std.	3	1
Gewicht	kg	0,4	1,2

### GARANTIE

Sollte Ihr Black & Decker Gartengerät innerhalb von 12 Monaten nach dem Kaufdatum einen Defekt aufweisen, der auf einen Material- oder Fertigungsfehler zurückzuführen ist, garantieren wir Ihnen die kostenlose Reparatur oder den kostenlosen Ersatz des Geräts. Es gelten folgende Voraussetzungen:

- ◆ Sie schicken das Gerät mit dem Kaufbeleg an unseren Zentralkundendienst.
- ◆ Das Gerät wurde ausschließlich entsprechend der Endverbraucher-Einstufung verwendet.





## DEUTSCH

- ◆ Das Gerät wurde nicht vermietet.
- ◆ Es wurden keine Reparaturversuche von anderen als den autorisierten Reparaturwerkstätten vorgenommen.

Diese Garantie wird als zusätzliche Leistung angeboten und geht über die gesetzlichen Verpflichtungen hinaus.

### **Garantiebestimmungen**

Folgende Defekte sind von der Garantie ausgeschlossen:

- ◆ Abgenutzte bzw. beschädigte Messer, Nylon-Schneidfaden, Sägeketten und Netzkabel. Diese Teile werden als Ersatzteile betrachtet, die sich bei normalem Einsatz abnutzen.
- ◆ Defekte, die auf unsachgemäße Behandlung zurückzuführen sind.
- ◆ Defekte, die auf Nichteinhaltung der Vorschriften und Hinweise in dieser Anleitung zurückzuführen sind.

**Es sind nur Black & Decker Zubehör- und Ersatzteile zu verwenden, die von Black & Decker ausdrücklich als zum Betrieb mit dem betreffenden Gerät geeignet bezeichnet werden. Andernfalls können Leistungseinbußen eintreten und erlischt die Garantie.**

### **KUNDENDIENST**

Einzelheiten zum Black & Decker Kundendienst finden Sie im Internet unter **www.2helpU.com**. Sie können sich auch über die Adresse hinten in dieser Anleitung an unseren Kundendienst oder an Ihren Händler wenden.

Sollte Ihr Gerät einen Defekt aufweisen, so schicken Sie es bitte mit einer genauen Fehlerbeschreibung an unseren Zentralkundendienst. Falls Sie Anspruch auf Garantieleistungen machen, legen Sie dem Gerät bitte unbedingt einen Kaufbeleg bei.

### **WEITERE GARTENGERÄTE**

Black & Decker bietet ein großes Sortiment an Gartengeräten an, die die Gartenarbeit erheblich erleichtern. Für nähere Informationen zu den folgenden Geräten wenden Sie sich bitte an den Black & Decker Kundendienst (Adresse hinten in dieser Anleitung) oder an Ihren Händler.

Rasentrimmer  
Akku-Luftbesen  
Akku-Grasscheren  
Heckenscheren  
Rasenlüfter  
Häcksler

Kettensägen  
Akku-Strauchscheren  
Akku-Trimmsägen  
Rasenmäher  
Laubsauger

Nicht alle Produkte sind in allen Ländern erhältlich.

FRANÇAIS

## TAILLE-HAIES SANS FIL GTC410/GTC510

### FELICITATIONS !

Vous avez choisi un outil Black & Decker. Notre but est de fournir des outils de qualité au juste prix. Nous espérons que vous profiterez de cet outil pendant longtemps.

### DECLARATION DE CONFORMITE CE



GTC410/GTC510

Black & Decker déclare que ces outils sont conformes aux normes: 98/37/CEE, 89/336/CEE, 73/23/CEE, EN 50260, EN 55014, EN 61000, EN 60335

Niveau de pression acoustique, mesuré suivant la norme EN 50260:

	GTC410	GTC510
$L_{pA}$ (pression acoustique) dB(A)	80	80
$L_{WA}$ (puissance acoustique) dB(A)	93	93



Prendre les mesures nécessaires pour la protection de l'ouïe lorsque le niveau de pression acoustique est supérieur à 85 dB(A).

Niveau de vibration main/bras selon la norme EN 50260:

	GTC410	GTC510
	< 2,5 m/s <sup>2</sup>	< 2,5 m/s <sup>2</sup>

*Sowe*

Brian Cooke  
Directeur du Développement  
Spennymoor, County Durham DL16 6JG,  
United Kingdom

### UTILISATION PREVUE

Votre taille-haies Black & Decker GTC410/GTC510 a été conçu pour la taille de haies, d'arbustes et de ronces. Cet outil a été conçu pour une utilisation domestique uniquement. Votre chargeur Black & Decker a été conçu pour le chargement de batteries Black & Decker identiques à celle fournie avec cet outil.

### INSTRUCTIONS DE SECURITE

#### Symboles de prévention

Les symboles suivants sont utilisés dans le présent manuel:



Indique qu'en cas de non-respect des instructions dans le présent manuel, il y a risque de blessure, danger de mort ou risque de dégradation de l'outil.



Indique le risque de décharge électrique.



Lire le manuel avant d'utiliser l'outil.



Risque d'incendie.

#### Connaissez votre outil



- ◆ **Attention!** Afin de réduire le risque de décharge électrique, de blessure et d'incendie lors de l'utilisation d'outils électriques, observez les consignes de sécurité fondamentales en vigueur.
- ◆ Lisez et observez attentivement les instructions avant d'utiliser l'outil.
- ◆ Avant d'utiliser l'outil, assurez-vous que vous sachiez comment mettre votre outil à l'arrêt en cas d'urgence.
- ◆ Conservez ces instructions.



## FRANÇAIS

### Généralités

#### 1. Tenez compte des conditions ambiantes

N'exposez pas l'outil à la pluie. N'exposez pas l'outil à l'humidité. Veillez à ce que l'aire de travail soit bien éclairée. N'utilisez pas l'outil s'il existe un risque d'incendie ou d'explosion, par exemple en présence de liquides ou de gaz inflammables. Veillez à ce que l'aire de travail soit nettoyée, sans débris ni obstacles.

#### 2. Tenez les enfants éloignés

Ne laissez pas les enfants, les visiteurs ou les animaux s'approcher de l'aire de travail ou toucher l'outil.

#### 3. Rangez vos outils dans un endroit sûr

Rangez les outils et batteries non utilisés dans un endroit sec, hors de la portée des enfants.

#### 4. Portez des vêtements de travail appropriés

Ne pas porter de vêtements flottants ou de bijoux. Ils pourraient être happés par les pièces en mouvement. Lors de travaux à l'extérieur, il est recommandé de porter des gants en caoutchouc et des chaussures à semelle anti-dérapante. Le cas échéant, attachez vos cheveux s'ils sont longs, ou couvrez vous la tête.

#### 5. Protection

Portez des lunettes de protection et un masque pour protéger le visage si le travail exécuté produit de la poussière ou des copeaux volants. Portez des protections auditives lorsque le niveau sonore semble gênant.

#### 6. Adoptez une position confortable

Toujours tenir les deux pieds à terre et garder l'équilibre.

#### 7. Faites preuve de vigilance

Observez votre travail. Faites preuve de bon sens. Ne pas employer l'outil en cas de fatigue.

#### 8. Utilisez l'outil adéquat

Le domaine d'utilisation de l'outil est décrit dans le présent manuel. Ne pas utiliser d'outils ou d'accessoires de trop faible puissance pour exécuter des travaux lourds. L'utilisation d'accessoires autres que ceux recommandés dans le présent manuel pourrait entraîner un risque de blessure. Utilisez l'outil conformément à sa destination. Ne forcez pas l'outil.

#### 9. Entretenez vos outils avec soin

Maintenez vos outils affûtés et propres afin de travailler mieux et plus sûrement. Suivez les instructions d'entretien et de changement d'accessoires. Maintenez les poignées et les interrupteurs secs, propres et exempts d'huile et de graisse.

#### 10. Contrôlez si votre outil est endommagé

Avant d'utiliser l'outil, vérifiez qu'il n'est pas endommagé. Pour cela, contrôlez l'alignement des pièces en mouvement et leur endommagement éventuel. Tous les composants doivent être montés correctement et remplir les conditions pour garantir le fonctionnement impeccable de l'outil. Faites réparer ou échanger toute pièce endommagée par un service de réparation agréé. N'utilisez pas l'outil si une pièce est défectueuse. Ne tentez jamais de le réparer vous-même.

#### 11. Enlevez la batterie

Enlevez la batterie lorsque l'outil n'est pas utilisé, avant de changer toute pièce de l'outil ou tout accessoire et avant de procéder à l'entretien.

#### 12. Évitez tout démarrage involontaire

Ne portez pas l'outil avec un doigt sur l'interrupteur marche/arrêt.

#### 13. Ne tirez pas sur le câble d'alimentation

Ne portez jamais le chargeur par le câble et ne tirez pas sur celui-ci pour le débrancher de la prise. Préservez le câble de la chaleur, de l'huile et des arêtes tranchantes.

### Instructions de sécurité supplémentaires pour les batteries et chargeurs

#### Batteries

- ◆ Ne tentez jamais de l'ouvrir pour quelque raison que ce soit.
- ◆ Ne la mettez pas en contact avec de l'eau.
- ◆ Ne la stockez pas à un endroit où la température peut être supérieure à 40 °C.
- ◆ Chargez uniquement à température ambiante entre 4 °C et 40 °C.
- ◆ Chargez uniquement en utilisant le chargeur fourni avec l'outil (voir caractéristiques techniques).
- ◆ Avant le chargement, veillez à ce que la batterie soit sèche et propre.

## FRANÇAIS

- ◆ Utilisez uniquement le type de batterie approprié à l'outil (voir caractéristiques techniques).
- ◆ Lorsque vous jetez des batteries, suivez les instructions données à la section "Protection de l'environnement".
- ◆ Dans des conditions extrêmes, la batterie peut fuir. Si vous remarquez que la batterie a coulé, procédez comme suit:
  - Nettoyez soigneusement le liquide à l'aide d'un chiffon. Évitez le contact avec la peau.
  - En cas de contact avec la peau ou les yeux, suivez les instructions ci-dessous.



Le liquide de la batterie, une solution d'hydroxyde de potassium à 25-30%, est toxique. En cas de contact avec la peau, rincer abondamment à l'eau. Neutraliser avec un acide doux tel que du citron ou du vinaigre. En cas de contact avec les yeux, rincer abondamment à l'eau au moins pendant 10 minutes. Consulter un médecin.



Risque d'incendie! Éviter toute possibilité de court-circuit au niveau des contacts d'une batterie (exemple: porter des clés dans la même poche qu'une batterie).



Ne pas incinérer la batterie.



Ne pas charger une batterie endommagée.

### Chargeurs

- ◆ Utilisez uniquement votre chargeur Black & Decker pour charger les batteries du type fourni avec votre outil. D'autres batteries pourraient exploser et causer des dommages ou blessures.
- ◆ Ne tentez jamais de charger des batteries non-rechargeables.
- ◆ Remplacez immédiatement les fils électriques défectueux.
- ◆ Ne mettez pas le chargeur en contact avec de l'eau.

- ◆ N'ouvrez pas le chargeur.
- ◆ Ne testez pas le chargeur.



Conçu pour une utilisation à l'intérieur uniquement.

### Instructions de sécurité supplémentaires pour les taille-haies



Porter des lunettes de sécurité lorsque vous utilisez cet outil.



Porter des protections auditives lorsque vous utilisez cet outil.



Porter des gants lorsque vous utilisez cet outil.



N'exposez pas l'outil à la pluie ou à l'humidité.

- ◆ Ne portez pas l'outil avec les mains sur l'interrupteur de la poignée avant ou l'interrupteur de mise en marche sauf si la batterie a été enlevée.
- ◆ Si vous n'avez jamais utilisé de taille-haie, demandez de préférence à un utilisateur expérimenté de vous donner des instructions pratiques et étudiez également ce manuel.
- ◆ Ne touchez jamais les lames lorsque l'outil fonctionne.
- ◆ Ne tentez jamais de forcer sur les lames pour qu'elles s'arrêtent.
- ◆ Ne posez pas l'outil avant que les lames se soient complètement arrêtées.
- ◆ N'utilisez pas l'outil lorsque les lames sont usées ou endommagées.
- ◆ Veillez à éviter les objets durs (par ex. fil de fer, clôtures) lorsque vous procédez à la taille. Si vous heurtez accidentellement un tel objet, éteignez immédiatement l'outil et vérifiez qu'aucun dommage ne s'est produit.
- ◆ Si l'outil commençait à vibrer de façon anormale, arrêtez-le immédiatement et vérifiez qu'aucun dommage ne s'est produit.
- ◆ Si l'outil calait, éteignez-le immédiatement. Enlevez la batterie avant d'essayer de retirer tout débris pouvant l'obstruer.



## FRANÇAIS

- ◆ Après utilisation, placez l'étui de protection fourni sur les lames.
- ◆ Assurez-vous que toutes les protections sont montées lorsque vous utilisez l'outil. N'utilisez pas un outil incomplet ou un outil avec des modifications non autorisées.
- ◆ Veillez à ce que les enfants ne se servent de l'outil.

### SECURITE ELECTRIQUE

Votre chargeur a été conçu pour une tension spécifique. Vérifiez si la tension du chargeur correspond à la tension secteur.



Ce chargeur à double isolation est conforme à la norme EN 60335; un branchement à une prise de terre n'est donc pas nécessaire.

- (CH) Toujours utiliser la fiche prescrite lors du remplacement du câble d'alimentation. Type 11 pour la classe II - isolation double

### CONTENU DE LA BOITE

La boîte contient :

- 1 Taille-haies sans fil
  - 1 Batterie
  - 1 Chargeur
  - 1 Etui de protection des lames
  - 1 Manuel d'instructions
- ◆ Déballez soigneusement toutes les pièces.

### APERÇU (fig. A)

1. Interrupteur de la poignée avant
2. Interrupteur de mise en marche
3. Bouton de blocage
4. Orifices de ventilation
5. Bouclier de protection
6. Batterie
7. Boutons de libération pour batterie
8. Chargeur
9. Voyant de charge
10. Voyant de fin de charge
11. Etui de protection des lames

### ASSEMBLAGE



Avant l'assemblage, enlevez la batterie.

#### Mise en place et retrait de la batterie (fig. B)

- ◆ Pour mettre la batterie en place (6), alignez-la avec le boîtier sur l'outil. Faites glisser la batterie dans le boîtier et poussez jusqu'à ce que la batterie se mette en place avec un bruit sec.
- ◆ Pour retirer la batterie, appuyez simultanément sur les deux boutons de libération (7) tout en retirant la batterie du boîtier.

### UTILISATION



Laissez l'outil fonctionner à sa propre vitesse. Ne le surchargez pas.

#### Chargement de la batterie (fig. A)

La batterie a besoin d'être chargée avant la première utilisation et à chaque fois qu'elle ne produit pas une puissance suffisante pour des travaux facilement effectués auparavant. Lorsque vous chargez la batterie pour la première fois ou suite à une inutilisation prolongée, le chargement ne se fera qu'à 80%. Après plusieurs cycles de chargement et de déchargement, la batterie atteindra sa capacité totale. La batterie peut chauffer pendant le chargement ; cela est normal et n'indique pas de problème particulier.



Ne chargez pas la batterie à une température ambiante inférieure à 4 °C ou supérieure à 40 °C. Température de chargement recommandée : environ 24 °C.

- ◆ Pour charger la batterie (6), retirez-la de l'outil et insérez-la dans le chargeur (8). La batterie ne rentrera dans le chargeur que d'une seule façon. Ne forcez pas. Assurez-vous que la batterie est complètement enclenchée dans le chargeur.
- ◆ Branchez le chargeur.

#### Chargeur de 3 heures

La batterie sera complètement chargée en 3 heures environ. Elle peut être enlevée à tout moment ou rester dans le chargeur connectée indéfiniment.



## FRANÇAIS

### Chargeur d'1 heure

- ◆ Vérifiez que le voyant rouge de charge (9) s'allume. Si le voyant vert indicateur de fin de charge (10) s'allume maintenant à la place, la batterie est trop chaude et ne peut être chargée. Dans ce cas, enlevez la batterie du chargeur, laissez-la refroidir pendant 1 heure environ et insérez-la à nouveau.

Après environ 1 heure de chargement, le voyant rouge de charge (9) s'éteindra et le voyant vert de fin de charge (10) s'allumera. La batterie est maintenant complètement chargée.

- ◆ Retirez la batterie du chargeur.

### Démarrage et arrêt (fig. C)

Pour des raisons de sécurité, cet outil est équipé d'un système d'interrupteur double. Ce système empêche un démarrage involontaire de l'outil et ne permettra à l'outil de fonctionner que lorsqu'il est tenu des deux mains.

#### Démarrage

- ◆ Appuyez sur l'interrupteur de la poignée avant (1).
- ◆ Poussez sur le bouton de blocage (3) avec le pouce et appuyez en même temps sur l'interrupteur de mise en marche (2).
- ◆ Relâchez le bouton de blocage.

#### Arrêt

- ◆ Relâchez l'interrupteur de la poignée avant (1) ou l'interrupteur de mise en marche (2).



N'essayez jamais de bloquer l'interrupteur sur la position marche.

### Conseils pour une utilisation optimale

- ◆ Inclinez légèrement l'outil (jusqu'à 15° par rapport à la ligne de coupe) afin que l'extrémité des lames pointent légèrement vers la haie (fig. D1). Cela permettra aux lames de couper de façon plus efficace.
- ◆ Commencez par tailler le haut de la haie. Tenez l'outil à l'angle désiré et déplacez-le régulièrement le long de la ligne de coupe (fig. D2). La lame à double tranchant vous permet de couper dans les deux sens.

- ◆ Afin d'obtenir une coupe très droite, tendez un bout de ficelle sur la longueur de la haie à la hauteur désirée. Utilisez la ficelle (12) comme guide, et coupez juste au-dessus d'elle (fig. D2).
- ◆ Afin d'obtenir des côtés plats, coupez la végétation de bas en haut (fig. D3). Les tiges plus jeunes vont vers l'extérieur lorsque la lame coupe de haut en bas et cela produit des trous sur la surface de la haie.
- ◆ Veillez à éviter tout corps étranger. Évitez en particulier tout objet dur tel que le fil de fer et les clôtures qui pourraient endommager les lames (fig. D4).
- ◆ Graissez régulièrement les lames.
- ◆ Envisagez d'acheter une batterie de rechange pour prolonger la durée de fonctionnement de cet outil. Le numéro du catalogue de la batterie se trouve dans le tableau des caractéristiques techniques ci-dessous.

### ENTRETIEN

Votre outil Black & Decker a été conçu pour fonctionner pendant longtemps avec un minimum d'entretien. Un fonctionnement continu satisfaisant dépend d'un nettoyage régulier et d'un entretien de l'outil approprié.

Votre chargeur ne nécessite aucun entretien autre qu'un nettoyage régulier.



- ◆ Avant de procéder à tout entretien de l'outil, retirez la batterie.
- ◆ Débranchez le chargeur avant de le nettoyer.

- ◆ Après utilisation, nettoyez soigneusement les lames. Après les avoir nettoyées, appliquez une fine couche d'huile de machine pour éviter que les lames ne rouillent.
- ◆ Nettoyez régulièrement les orifices de ventilation de votre outil et du chargeur à l'aide d'une brosse douce ou d'un chiffon sec.
- ◆ Nettoyez régulièrement le châssis du moteur à l'aide d'un chiffon mouillé. N'utilisez pas de produits abrasifs ou à base de solvant.







## FRANÇAIS

### Protection de l'environnement

#### Outils



Si vous décidez de remplacer votre outil, ou si vous n'en avez plus l'utilité, pensez à la protection de l'environnement avant de le jeter. Les services agréés Black & Decker reprennent tous les anciens outils Black & Decker et s'assurent qu'ils seront détruits en respectant l'environnement.

#### Batteries



Les batteries Black & Decker peuvent être rechargées de nombreuses fois. A la fin de leur durée de vie technique, jetez les batteries en respectant l'environnement :

- ◆ Videz complètement la batterie, puis retirez-la de l'outil.
- ◆ Les batteries NiCd et NiMH sont recyclables. Apportez-les à votre distributeur ou à un centre de recyclage local. Les batteries récupérées seront recyclées ou jetées proprement.

### Caractéristiques techniques

		GTC410	GTC510
Tension	$V_{DC}$	12	14,4
Déplacement des lames (sans charge)	$min^{-1}$	1.200	1.200
Longueur des lames	cm	43	51
Ecart des lames	mm	12	12
Délai d'arrêt des lames	s	< 0,5	< 0,5
Cat. no. batterie		A9275	A9276
Poids (sans batterie)	kg	1,95	2,05

Batterie		A9275	A9276
Tension	$V_{DC}$	12	14,4
Capacité	Ah	1,25	1,5
Poids	kg	0,6	0,7

#### Chargeur

Tension secteur	$V_{AC}$	230	230
Temps de chargement approx.	h	3	1
Poids	kg	0,4	1,2

### GARANTIE

Si votre produit Black & Decker était défectueux dans les 12 mois suivant la date d'achat, nous vous garantissons le remplacement de toutes les pièces défectueuses ou l'échange du produit gratuitement, aux conditions suivantes :

- ◆ Le produit nous a été renvoyé ou a été renvoyé à l'un de nos agents de réparation agréés avec une preuve d'achat.
- ◆ Le produit a été utilisé dans les conditions d'utilisation prévues.
- ◆ Le produit n'a pas été utilisé dans un but de location.
- ◆ Des réparations n'ont pas été effectuées par toute personne autre que nos agents de réparation agréés.
- ◆ Le défaut provient d'une usure normale.

La garantie légale couvrant les défauts ou vices cachés (France: article 1641 et suivants du code civil) est applicable en tout état de cause.

La garantie est effective dans la mesure où ce produit est retourné, non démonté, à l'une de nos stations services agréées, il doit être accompagné d'un avis indiquant les anomalies constatées ainsi que d'une preuve de garantie (certificat de garantie dûment rempli et portant le cachet du revendeur ou ticket de caisse).

#### La politique de garantie

Les défauts suivants ne sont pas couverts par la garantie ci-dessus :

- ◆ Remplacement des lames usées ou endommagées, des lignes de nylon, des chaînes et des cordons d'alimentation. Ces articles sont considérés comme des articles pouvant être remplacés et s'abîmant suite à une utilisation normale.
- ◆ Défauts résultant d'un choc brutal ou d'un abus évident.
- ◆ Défaut dus à une utilisation non conforme aux instructions et aux recommandations contenues dans ce manuel.

**L'utilisation d'accessoires et de pièces autres que Black & Decker peut réduire la performance de l'outil ou endommager le produit et entraînera la nullité de la garantie.**



## FRANÇAIS

### SERVICE APRES-VENTE

Tous les détails sur notre service après-ventes sont disponibles sur Internet à l'adresse

**www.2helpU.com**. Vous pouvez également contacter notre Centre de Service et d'Informations à l'adresse indiquée à la fin de ce manuel.

Si votre produit a besoin d'être réparé, veuillez l'envoyer ou le porter à un agent de réparation agréé, en fournissant une preuve d'achat si vous demandez une réparation sous garantie.

De plus amples informations peuvent être obtenues directement chez nos agents.

### AUTRES OUTILS DE JARDINAGE

Black & Decker possède une gamme entière d'outils de jardinage facilitant la vie au jardin. Si vous souhaitez obtenir de plus amples renseignements sur les produits suivants, veuillez contacter notre Centre de Service et d'Information (voir la page d'adresse à la fin de ce manuel) ou vous adresser à votre revendeur Black & Decker local.

Tronçonneuses  
Cisaille à gazon sans fil  
Coupe bordures  
Taille-haies à fil ou sans fil  
Tondeuses  
Aspirateur/souffleur/broyeur  
Broyeurs  
Aérateur Démousseur

Tous les produits ne sont pas disponibles dans tous les pays.



ITALIANO

## TAGLIASIEPI A BATTERIA GTC410/GTC510

### CONGRATULAZIONI!

Lei ha scelto un utensile Black & Decker. Il nostro obiettivo è fornire utensili di qualità ad un prezzo contenuto. Desideriamo che questo utensile sia di suo gradimento e lo possa usare per molti anni.

### DICHIARAZIONE CE DI CONFORMITÀ



GTC410/GTC510

Black & Decker dichiara che questi utensili sono stati costruiti in conformità a:  
98/37/CEE, 89/336/CEE, 73/23/CEE,  
EN 50260, EN 55014, EN 61000, EN 60335

Livello di rumorosità, dati ricavati in base alla norma EN 50260:

		GTC410	GTC510
$L_{pA}$ (rumorosità)	dB(A)	80	80
$L_{WA}$ (potenza sonora)	dB(A)	93	93



Prendere appropriate misure a protezione dell'udito qualora il livello acustico superasse gli 85 dB(A).

Il valore medio quadratico ponderato dell'accelerazione secondo EN 50260:

	GTC410	GTC510
	< 2,5 m/s <sup>2</sup>	< 2,5 m/s <sup>2</sup>

*Bowie*

Brian Cooke  
Direttore di Ricerca e Sviluppo  
Spennymoor, County Durham DL16 6JG,  
United Kingdom

### USO PROGETTATO

Il vostro taglia siepi Black & Decker GTC410/GTC510 è stato progettato per tagliare siepi, cespugli e fronde. L'utensile è stato progettato per un uso individuale.

Il vostro caricatore Black & Decker è stato progettato per caricare batterie Black and Decker del tipo fornito con questo utensile.

### ISTRUZIONI DI SICUREZZA

#### Simboli di sicurezza

I seguenti simboli vengono usati nel presente manuale:



Indica rischio di infortunio, pericolo di morte o danno all'apparecchio qualora non ci si attenga alle istruzioni contenute nel presente manuale.



Indica pericolo di scossa elettrica.



Leggere attentamente il manuale prima di utilizzare l'utensile.



Pericolo d'incendio.

#### Conoscere l'utensile



- ◆ **Attenzione!** Durante l'utilizzo di utensili elettrici adottate sempre le elementari norme di sicurezza atte a ridurre i rischi d'incendio, scariche elettriche e ferimenti.
- ◆ Leggere attentamente le seguenti istruzioni prima di utilizzare l'utensile.
- ◆ Prima di far funzionare l'utensile, assicuratevi di conoscere come spegnere l'utensile in caso di emergenza.
- ◆ Conservare con cura le istruzioni!



## ITALIANO

### Norme generali

#### 1. Tener presenti le caratteristiche dell'ambiente di lavoro

Non lasciare l'utensile sotto la pioggia.  
Non usare l'utensile in ambienti carichi di umidità.  
Tenere ben illuminata l'area di lavoro. Non usare l'utensile quando vi sia rischio di provocare un incendio od una esplosione, per es. in luoghi con atmosfera gassosa o infiammabile. Mantenere l'area di lavoro libera da ostacoli e pulita.

#### 2. Tenere i bambini lontani dall'area di lavoro

Non permettere ai bambini, visite od animali di avvicinarsi alla zona di lavoro o di toccare l'utensile.

#### 3. Custodia dell'elettrodotensile dopo l'uso

Quando non è in uso, l'utensile e le batterie devono essere riposti in un luogo asciutto, fuori dalla portata dei bambini.

#### 4. Usare il vestiario appropriato

Evitare l'uso di abiti svolazzanti, catenine, ecc. in quanto potrebbero rimanere impigliati nelle parti mobili dell'utensile. Lavorando all'aperto indossare guanti di gomma e scarpe con soles antidrucciolo. Raccogliere i capelli se si portano lunghi.

#### 5. Protezione personale

Indossate occhiali di sicurezza ed una mascherina contro la polvere ogni volta che l'uso dell'utensile provochi polvere o schegge. Indossate cuffie acustiche quando considerate che il livello acustico sia troppo alto.

#### 6. Non sbilanciarsi

Mantenere sempre un buon equilibrio evitando posizioni malsicure.

#### 7. Stare sempre attenti

Prestare attenzione a quanto si sta facendo. Usare il proprio buon senso e non utilizzare l'utensile quando si è stanchi.

#### 8. Usare l'utensile adatto

L'utilizzo previsto è indicato nel presente manuale. Non forzare utensili e accessori di potenza limitata impiegandoli per lavori destinati ad utensili di maggiore potenza. L'uso di accessori o attrezzature diversi, o l'impiego del presente utensile per scopi diversi, da quelli raccomandati nel manuale d'uso possono comportare il rischio di infortuni. Non forzare l'utensile.

#### 9. Mantenere l'utensile con cura

Mantenere gli utensili da taglio affilati e puliti in modo da ottenere una miglior e più sicura resa. Seguire le istruzioni per la manutenzione e il cambio degli accessori. Mantenere le impugnature e gli interruttori asciutti, puliti e senza tracce di olio o grassi.

#### 10. Controllare che non vi siano parti danneggiate

Prima dell'utilizzo controllare scrupolosamente che non vi siano parti danneggiate e che l'utensile sia in grado di effettuare il suo lavoro in modo corretto. Controllare l'allineamento delle parti mobili assicurandosi che non vi siano grippaggi, danni ai componenti o ai supporti, ed altre condizioni che possono compromettere il buon funzionamento dell'utensile. Ogni pezzo difettoso deve essere sostituito o riparato da un tecnico autorizzato. Non usate l'utensile se ha qualche parte difettosa. Non riparate voi stessi.

#### 11. Togliere la batteria

Togliere la batteria quando l'utensile non è in uso, o prima di cambiare pezzi, accessori o complementi o prima di eseguire lavori di manutenzione.

#### 12. Evitate di avviare l'utensile quando non è necessario

Non portate l'utensile con il dito sull'interruttore.

#### 13. Non forzate il cavo di alimentazione

Non usate il cavo elettrico del carica batterie per spostarlo e non tirare il cavo per scollegarlo dalla presa. Mantenete il cavo lontano da fonti di calore, olio e spigoli taglienti.

#### Istruzioni di sicurezza addizionali per batterie e caricatori

##### Batterie

- ◆ Non tentate di aprirle sotto nessuna circostanza.
- ◆ Non fatele bagnare.
- ◆ Non immagazzinatele in luoghi dove la temperatura possa oltrepassare i 40 °C.
- ◆ Caricatele solo ad una temperatura ambientale compresa tra i 4 °C ed i 40 °C.
- ◆ Caricate la batteria usando soltanto il caricatore fornito con l'utensile (vedete i dati tecnici).
- ◆ Prima di caricare la batteria assicuratevi che sia pulita ed asciutta.





## ITALIANO

- ◆ Usate soltanto il tipo adeguato di batteria per l'utensile (vedete i dati tecnici).
- ◆ Prima di gettare le batterie esaurite, vi preghiamo di leggere le istruzioni che si specificano nella sezione "Protezione dell'ambiente".
- ◆ In condizioni estreme, la batteria può perdere liquido. In caso di notare la presenza di liquido sulla batteria, procedere come di seguito specificato:
  - Asciugate il liquido con un panno. Evitate il contatto con la pelle.
  - In caso di contatto con la pelle o con gli occhi, seguite le istruzioni di seguito riportate.



Il liquido delle batterie, una soluzione al 25-30% di idrossido di potassio, può essere pericoloso. In caso di contaminazione della pelle, lavare immediatamente con abbondante acqua, quindi neutralizzare l'azione con una soluzione leggermente acida come succo di limone o aceto. In caso di contatto con gli occhi, risciacquare abbondantemente con acqua pulita per 10 minuti almeno. Rivolgersi a un medico.



Pericolo d'incendi! Evitare di mettere in cortocircuito i contatti della batteria rimossa con oggetti metallici (ad es. con un mazzo di chiavi tenute nello stesso scomparto insieme alla batteria).



Non incenerire la batteria.



Non caricate batterie danneggiate.

### Caricatori

- ◆ Usate il vostro caricatore Black & Decker per caricare le batterie fornite con il vostro utensile. Altri tipi di batterie possono esplodere, provocando danni personali e materiali.
  - ◆ Non tentate mai di ricaricare una batteria non ricaricabile.
  - ◆ Cambiate immediatamente i cavi difettosi.
  - ◆ Fate attenzione a non bagnarli.
- ◆ Non aprite il caricatore.
  - ◆ Non testare il caricatore.



Da usarsi soltanto in interni.

### Istruzioni addizionali di sicurezza per tagliaiepi



Indossate sempre occhiali di protezione quando fate funzionare questo utensile.



Indossate sempre protezioni acustiche quando fate funzionare questo utensile.



Indossate guanti quando fate funzionare questo utensile.



Non esponete l'utensile alla pioggia od a condizioni di alta umidità.

- ◆ Non portate l'utensile con le mani sull'interruttore dell'impugnatura frontale o sul grilletto a meno che la batteria sia stata tolta.
- ◆ Se non avete usato un tagliaiepi in precedenza, è conveniente che, oltre a studiare questo libretto, cerchiate istruzioni pratiche da un esperto.
- ◆ Non toccate mai le lame mentre l'utensile è in funzione.
- ◆ Non cercate di fermare le lame.
- ◆ Non lasciate a terra l'utensile fino a che le lame si siano completamente fermate.
- ◆ Non usate l'utensile se le lame sono consumate o danneggiate.
- ◆ Agite con cura per non toccare oggetti duri (p.e. fili metallici, ringhiere). Nel caso in cui colpiate incidentalmente un'oggetto di questo tipo, spengete immediatamente l'utensile per verificare se ha subito dei danni.
- ◆ Se l'utensile inizia in modo anomalo, spegnete immediatamente per verificare eventuali danni.
- ◆ Se l'utensile si ferma, spegnetelo immediatamente. Togliete la batteria prima di togliere eventuali ostruzioni.
- ◆ Dopo l'uso, coprite la lama con la guaina in dotazione.
- ◆ Quando si usa l'attrezzo, verificare sempre che siano installate le tutte le protezioni.



## ITALIANO

Non tentare mai di utilizzare uno strumento privo di alcuni componenti o che sia stato sottoposto ad alterazioni non autorizzate.

- ◆ Non consentire mai ai bambini di utilizzare l'attrezzo.

### SICUREZZA ELETTRICA

Assicurarsi che la tensione del caricatore corrisponda a quella erogata dalla rete.



Il caricatore è fornito di doppio isolamento, in ottemperanza alla norma EN 60335, per la quale non è richiesta la messa a terra.



Per la sostituzione del cavo di alimentazione, utilizzate sempre la spina di tipo prescritto.  
Tipo 11 per la classe II - doppio isolamento

### CONTENUTO DELLA SCATOLA

La scatola contiene:

- 1 Tagliasiepi a batteria
- 1 Batteria
- 1 Caricatore
- 1 Guaina della lama
- 1 Libretto d'istruzioni

- ◆ Disimballate con cura tutte le parti.

### L'INSIEME (fig. A)

- 1 Interruttore impugnatura frontale
- 2 Interruttore grilletto
- 3 Pulsante di sblocco
- 4 Feritoie di ventilazione
- 5 Custodia
- 6 Batteria
- 7 Bottoni di sgancio per batteria
- 8 Caricatore
- 9 Indicatore di carica
- 10 Indicatore fine carica
- 11 Guaina della lama

### MONTAGGIO



Prima di montaggio, rimuovere la batteria.

### Inserire e togliere la batteria (fig. B)

- ◆ Per inserire la batteria (6), allinearla con il ricettacolo dell'utensile. Fate scorrere la batteria nel ricettacolo fino a che la batteria si aggancia in posizione.
- ◆ Per togliere la batteria, premete simultaneamente i due bottoni di sgancio (7) ed allo stesso tempo tirate fuori la batteria dal ricettacolo.

### IMPIEGO



Lasciate che l'utensile lavori al proprio ritmo. Non sovraccaricarlo.

### Carica della batteria (fig. A)

La batteria bisogna caricarla in precedenza al primo uso e ogniqualvolta che non eroghi la sufficiente energia per eseguire un lavoro che prima veniva eseguito con facilità. Quando si carica la batteria per la prima volta, o dopo un lungo periodo d'inattività, accetterà soltanto l'80% della sua capacità. Dopo diversi cicli di carica e scarica la batteria raggiunge la sua piena capacità. La batteria si può riscaldare durante il processo di carica; è normale e non è indicativo di nessun problema.



Non caricate la batteria con temperatura ambiente sotto i 4 °C o sopra i 40 °C.  
La temperatura adeguata di carica è di circa 24 °C.

- ◆ Per caricare la batteria (6), toglierla dall'utensile ed inserirla nel caricatore (8). La batteria s'inserisce in un solo verso nel caricatore. Assicuratevi che la batteria sia perfettamente inserita nel caricatore.
- ◆ Inserite la spina del caricatore.

### Caricatore da 3 ore

La batteria sarà carica dopo circa 3 ore. Può essere tolta dal caricatore in qualunque momento od essere lasciata nel caricatore per tempo indefinito.

### Caricatore da 1 ora

- ◆ Verificate se la spia rossa di carica si accende (9). Se invece si accende la spia verde di fine carica (10) la batteria è troppo calda e non può essere caricata.





## ITALIANO

Se ciò accadesse, togliete la batteria dal caricatore, lasciate raffreddare la batteria per un'ora circa e tornate a inserirla.

Dopo circa 1 ora in carica, la spia rossa (9) si spengerà e la spia verde di fine carica si accenderà (10). La batteria ora è carica.

- ◆ Togliete la batteria dal caricatore.

### Avviamento e spegnimento (fig. C)

Per vostra sicurezza, questo utensile è dotato di un doppio sistema di interruttori. Questo sistema previene l'avviamento inavvertito dell'utensile e permette il funzionamento soltanto quando l'utensile è impugnato con entrambe le mani.

#### Avviamento

- ◆ Stringete l'interruttore dell'impugnatura frontale (1).
- ◆ Spingete in avanti con il pollice il pulsante di sblocco (3) ed allo stesso tempo premete l'interruttore a grilletto (2).
- ◆ Rilasciate il pulsante di sblocco.

#### Spegnimento

- ◆ Rilasciate l'interruttore dell'impugnatura frontale (1) o l'interruttore a grilletto (2).



Non tentate mai di bloccare un interruttore nella posizione di acceso.

### Consigli per una ottima utilizzazione

- ◆ Inclinate leggermente l'utensile (fino a 15° in relazione alla linea di taglio) in modo che le punte della lama puntino leggermente verso la siepe (fig. D1). Questo accorgimento farà sì che le lame abbiano più efficienza nel taglio.
- ◆ Iniziate tagliando la parte superiore della siepe. Mantenete l'utensile con l'angolazione desiderata e muovetevi con fermezza lungo la linea di taglio (fig. D2). La lama sui due lati vi permette di tagliare in qualsiasi direzione.
- ◆ Per ottenere un taglio dritto, usate una cordicella che legherete all'altezza desiderata lungo tutta la siepe. Usate la cordicella (12) come guida e tagliando appena sopra di essa (fig. D2).

- ◆ Per ottenere fianchi pareggiati, tagliate all'insù nel senso di crescita (fig. D3). I rami giovani crescono verso l'esterno quando la lama taglia all'ingiù e ciò provoca buchi nella siepe.
- ◆ Prestate molta attenzione con gli oggetti estranei. In special modo evitate oggetti duri come fili di metallo e ringhiere poiché potrebbero danneggiare le lame (fig. D4).
- ◆ Lubrificate le lame spesso.
- ◆ Prendete in considerazione l'acquisto di una batteria di scorta in modo da aumentare l'autonomia di questo utensile. Il numero di catalogo della batteria viene indicato nella scheda di dati tecnici riportata di seguito.

### MANUTENZIONE

Il vostro utensile Black & Decker è stato progettato per funzionare durante un lungo periodo di tempo con un minimo di manutenzione. Il funzionamento continuo e soddisfacente dipende dall'adeguata cura dell'utensile e da pulizie sistematiche. Il vostro caricatore non richiede di nessun tipo di manutenzione oltre la sua regolare pulizia.



- ◆ Prima di eseguire qualsiasi tipo di manutenzione dell'utensile, togliete le batterie dall'utensile.
- ◆ Scollegate il caricatore dalla presa elettrica prima di pulirlo.

- ◆ Dopo l'uso, pulite con cura le lame. Dopo averle pulite applicate un pò d'olio per evitare la comparsa della ruggine.
- ◆ Pulite regolarmente le feritoie di ventilazione del vostro utensile ed il caricatore, con un pennello soffice od un panno asciutto.
- ◆ Pulite regolarmente la carcassa del motore con un panno inumidito. Non usate materiali abrasivi o pulitori con diluenti.

## ITALIANO

### Protezione dell'ambiente

#### Utensili



Se doveste un giorno decidere di sostituire i vostri utensili in quanto non più necessari, ricordate di avere cura dell'ambiente che ci circonda. I centri di assistenza Black & Decker ritireranno i vostri vecchi utensili, smaltendoli in modo ecologico.

#### Batterie



Le batterie della Black & Decker si possono ricaricare più volte. Alla fine della loro vita tecnica, gettate le batterie negli appositi contenitori. Abbiate cura dell'ambiente:

- ◆ Esaurite completamente la carica della batteria, poi toglietela dall'utensile.
- ◆ Le batterie di NiCd e NiMH sono riciclabili. Portatele al vostro concessionario od all'impianto di riciclaggio. Le batterie raccolte verranno riciclate o adeguatamente distrutte.

#### Dati tecnici

		GTC410	GTC510
Tensione	$V_{DC}$	12	14,4
Corsa lama (senza carico)	$min^{-1}$	1.200	1.200
Lunghezza lama	cm	43	51
Separazione lama	mm	12	12
Tempo di arresto lama	s	< 0,5	< 0,5
Cat. no. batteria		A9275	A9276
Peso (senza batteria)	kg	1,95	2,05

Batteria		A9275	A9276
Tensione	$V_{DC}$	12	14,4
Capacità	Ah	1,25	1,5
Peso	kg	0,6	0,7

#### Caricatore

Tensione di rete	$V_{AC}$	230	230
Tempo approssimato di carica	h	3	1
Peso	kg	0,4	1,2

### GARANZIA

**Questa garanzia copre per 12 mesi i pezzi di ricambio e la manodopera. Sarà necessario esibire prova della data di acquisto.**

Se il vostro utensile Black & Decker risultasse avere parti difettose a causa dei materiali o per difetti di costruzione nel periodo di garanzia, vi garantiamo la sostituzione gratuita di dette parti oppure, a nostra discrezione, la sostituzione dell'utensile a patto che:

- ◆ L'utensile venga portato ad un centro di assistenza Black & Decker con prova della data di acquisto.
- ◆ L'utensile sia stato acquistato per uso proprio.
- ◆ L'utensile non abbia subito abuso od uso improprio.
- ◆ Non sia stata tentata la riparazione da persone diverse dal nostro personale di assistenza.
- ◆ Il problema non sia dovuto a normale usura.

La garanzia è offerta come un beneficio aggiuntivo rispetto ai vostri diritti legali.

#### Estremi della garanzia

I seguenti difetti non sono coperti da garanzia:

- ◆ Sostituzione di lame usurate o danneggiate, fili di nylon e catene danneggiati durante l'uso o l'immagazzinaggio. Questi vengono considerati normali ricambi soggetti ad usura durante il normale utilizzo.
- ◆ Danni causati da impatti e evidenti abusi.
- ◆ Danni causati da un utilizzo non conforme alle istruzioni ed ai consigli contenuti nel presente manuale.

#### L'utilizzo di accessori e ricambi non originali

**Black & Decker potrebbe danneggiare o peggiorare le prestazioni del vostro utensile Black & Decker e potrebbe invalidare la garanzia.**

### SERVIZIO POST- VENDITA

Sul nostro sito Internet [www.2helpU.com](http://www.2helpU.com) sono disponibili dettagli sul servizio assistenza post-vendita. In alternativa, telefonate al nostro Centro Informazioni e Servizi il cui numero è situato sul retro di questo manuale. Black & Decker offre un servizio post-vendita nazionale attraverso centri di assistenza diretti.





ITALIANO

È nostro obiettivo fornire un servizio eccellente, riparazioni veloci, grande disponibilità di ricambi e accessori.

#### ALTRI UTENSILI DI GIARDINAGGIO

La Black & Decker ha una gamma completa di utensili per il giardinaggio che rende semplice la vita in giardino. Se desiderate ulteriori informazioni sui seguenti prodotti, vi preghiamo di contattare il nostro Centro D'Informazione e Manutenzione (vedere la pagina degli indirizzi alla fine di questo libretto d'istruzioni) od il vostro rivenditore Black & Decker

Tosatori a lame o a catena	Tosasiepi
Motoseghe	Tosaerba
Scope elettriche	Rastrelli
Tosasiepi a batteria	Sramatori
Tagliasiepi a batteria	Biotrituratori

Non tutti i prodotti sono disponibili in tutti i paesi.



**NEDERLANDS**

## SNOERLOZE HEGGENSCHAAR GTC410/GTC510

### GEFELICITEERD!

U heeft gekozen voor een machine van Black & Decker. Ons doel is om kwaliteitsproducten te leveren tegen een betaalbare prijs. Wij hopen dat u aan het gebruik van deze machine jarenlang plezier zult beleven.

### EG-VERKLARING VAN OVEREENSTEMMING



GTC410/GTC510

Black & Decker verklaart dat deze elektrische machines in overeenstemming zijn met: 98/37/EEG, 89/336/EEG, 73/23/EEG, EN 50260, EN 55014, EN 61000, EN 60335

Niveau van de geluidsdruk, gemeten volgens EN 50260:

		GTC410	GTC510
$L_{pA}$ (geluidsdruk)	dB(A)	80	80
$L_{WA}$ (geluidsvermogen)	dB(A)	93	93



Neem de vereiste maatregelen voor gehoorbescherming wanneer de geluidsdruk het niveau van 85 dB(A) overschrijdt.

Gewogen kwadratische gemiddelde waarde van de versnelling overeenkomstig EN 50260:

	GTC410	GTC510
	< 2,5 m/s <sup>2</sup>	< 2,5 m/s <sup>2</sup>

Brian Cooke  
Director of Engineering  
Spennymoor, County Durham DL16 6JG,  
United Kingdom

### GEBRUIK VOLGENS BESTEMMING

Uw Black & Decker heggenschaar GTC410/GTC510 is ontworpen voor het knippen van heggen, struiken en heersters. Deze machine is uitsluitend bedoeld voor consumentengebruik. Uw Black & Decker oplader is ontworpen voor het opladen van Black & Decker batterijen van het type dat bij deze machine wordt geleverd.

### VEILIGHEIDSVOORSCHRIFTEN

#### Pictogrammen

In deze handleiding worden de volgende pictogrammen gebruikt:



Duidt op mogelijk lichamelijk letsel, levensgevaar of kans op beschadiging van de machine indien de instructies in deze handleiding worden genegeerd.



Geeft elektrische spanning aan.



Lees de handleiding voordat u met de machine gaat werken.



Brandgevaar.

#### Ken uw machine



- ♦ **Waarschuwing!** Neem bij het gebruik van elektrische machines altijd de plaatselijk geldende veiligheidsvoorschriften in acht in verband met brandgevaar, gevaar voor elektrische schokken en lichamelijk letsel.
- ♦ Lees de gebruiksaanwijzing aandachtig door voordat u met de machine gaat werken.



## NEDERLANDS

- ◆ Zorg ervoor dat u voor gebruik weet hoe u de machine in geval van nood uitschakelt.
- ◆ Bewaar deze instructies zorgvuldig!

### Algemeen

#### 1. Houd rekening met omgevingsinvloeden

Stel de machine niet bloot aan regen. Gebruik de machine niet in een vochtige of natte omgeving. Zorg dat de werkomgeving goed is verlicht. Gebruik de machine niet op plaatsen waar brand- of explosiegevaar bestaat, b.v. in de buurt van brandbare vloeistoffen of gassen. Houd de werkomgeving vrij van afval en obstakels.

#### 2. Houd kinderen uit de buurt

Houd kinderen, bezoekers en dieren buiten het werkgebied en laat ze de machine niet aanraken.

#### 3. Berg de machine veilig op

Berg de machine en batterij na gebruik op in een droge ruimte, buiten het bereik van kinderen.

#### 4. Draag geschikte werkkleding

Draag geen wijde kleding of loshangende sieraden. Deze kunnen door de bewegende delen worden gegrepen. Draag bij het werken buitenshuis bij voorkeur rubber werkhandschoenen en schoenen met profielzolen. Houd lang haar bijeen.

#### 5. Persoonlijke bescherming

Draag een veiligheidsbril en een gezichts- of stofmasker bij werkzaamheden waarbij stofdeeltjes of spanen vrijkomen. Draag altijd gehoorbescherming als het geluidsniveau onaangenaam hoog is.

#### 6. Zorg voor een veilige houding

Zorg altijd voor een juiste, stabiele houding.

#### 7. Blijf voortdurend opletten

Houd uw aandacht bij uw werk. Ga met verstand te werk. Gebruik de machine niet als u niet geconcentreerd bent.

#### 8. Gebruik de juiste machine

Het gebruik volgens bestemming is beschreven in deze handleiding. Gebruik geen lichte machine of hulpstukken voor het werk van zware machines.

De machine werkt beter en veiliger indien u deze gebruikt voor het beoogde doel.

Gebruik ter voorkoming van lichamelijk letsel uitsluitend de in deze gebruiksaanwijzing aanbevolen accessoires en hulpstukken.

Gebruik de machine uitsluitend volgens bestemming. Overbelast de machine niet.

#### 9. Onderhoud de machine met zorg

Houd snijgereedschappen scherp en schoon om beter en veiliger te kunnen werken. Houdt u aan de instructies met betrekking tot het onderhoud en het vervangen van accessoires. Houd de handgrepen en schakelaars droog en vrij van olie en vet.

#### 10. Controleer de machine op beschadigingen

Controleer de machine vóór gebruik zorgvuldig op beschadigingen om er zeker van te zijn dat deze naar behoren zal functioneren. Controleer of de bewegende delen niet klemmen, verdraaid of gebroken zijn. Ga na of de accessoires en hulpstukken correct zijn gemonteerd en of aan alle andere voorwaarden voor een juiste werking is voldaan. Defecte onderdelen dienen door een erkend servicecentrum te worden gerepareerd of vervangen. Gebruik de machine niet als enig onderdeel defect is. Probeer nooit om de machine zelf te repareren.

#### 11. Verwijder de batterij

Neem de batterij van de machine als u de machine niet gebruikt, voordat u gereedschappen, accessoires of onderdelen van de machine verwisselt en voordat u onderhoud aan de machine uitvoert.

#### 12. Voorkom onbedoeld inschakelen

Draag de machine niet met uw vingers aan de aan/uit-schakelaar.

#### 13. Misbruik het snoer niet

Draag de oplader nooit aan het snoer.

Trek niet aan het snoer om de stekker uit het stopcontact te verwijderen. Houd het snoer uit de buurt van warmtebronnen, olie en scherpe randen.



## NEDERLANDS

### Aanvullende veiligheidsvoorschriften voor batterijen en opladers

#### Batterijen

- ◆ Probeer nooit een batterij te openen.
- ◆ Stel batterijen niet aan water bloot.
- ◆ Bewaar batterijen niet op plaatsen waar de temperatuur 40 °C kan overschrijden.
- ◆ Laad batterijen uitsluitend op bij een omgevingstemperatuur tussen 4 °C en 40 °C.
- ◆ Laad batterijen uitsluitend op met behulp van de meegeleverde oplader (zie technische gegevens).
- ◆ Controleer voor het opladen of de batterij droog en schoon is.
- ◆ Gebruik het juiste type batterij voor de machine (zie technische gegevens).
- ◆ Volg bij het afdanken van batterijen de instructies in de paragraaf "Milieu" op.
- ◆ Onder extreme gebruikscondities kan er vloeistof uit de batterij vrijkomen. Als u vloeistof op de batterij opmerkt, gaat u als volgt te werk:
  - Verwijder met behulp van een doekje voorzichtig de vloeistof van de batterij. Vermijd huidcontact.
  - Als de vloeistof toch in aanraking komt met de huid of de ogen, volgt u de onderstaande instructies op.



De batterijvloeistof bestaat uit een 25-30% oplossing van kaliumhydroxide en kan gevaarlijk zijn. Indien batterijvloeistof met de huid in aanraking is gekomen, spoel dan de huid onmiddellijk met water af. Neutraliseer de vloeistof met een zwak zuur zoals citroensap of azijn. Indien de batterijvloeistof in de ogen is gekomen, spoel de ogen dan gedurende minimaal 10 minuten met schoon stromend water. Raadpleeg vervolgens een arts.



Voorkom kortsluiting tussen de contactpunten van een losse batterij (bijv. door het bewaren van sleutels in dezelfde zak als de batterij).



Verbrand de batterij nooit.



Probeer nooit een beschadigde batterij op te laden.

#### Opladers

- ◆ Gebruik uw Black & Decker oplader uitsluitend voor het opladen van batterijen van het meegeleverde type. Andere batterijen kunnen barsten, wat tot letsel en materiële schade kan leiden.
- ◆ Probeer nooit om niet oplaadbare batterijen op te laden.
- ◆ Laat een defect netsnoer onmiddellijk vervangen.
- ◆ Stel de oplader niet aan water bloot.
- ◆ Open de oplader niet.
- ◆ Steek geen voorwerpen in het inwendige van de oplader.



Uitsluitend voor gebruik binnenshuis.

### Aanvullende veiligheidsinstructies voor heggenscharen



Draag een veiligheidsbril als u deze machine bedient.



Draag gehoorbescherming als u deze machine bedient.



Draag handschoenen als u deze machine bedient.



Stel de machine niet bloot aan regen of overmatige vochtigheid.

- ◆ Draag de machine niet met uw handen aan de voorste hendelschakelaar of de trekkerschakelaar zonder dat de batterij is verwijderd.
- ◆ Als u nooit eerder een heggenschaar hebt gebruikt, dient u bij voorkeur praktische aanwijzingen in te winnen bij een ervaren gebruiker als aanvulling op het bestuderen van deze handleiding.





## NEDERLANDS

- ◆ Raak nooit de bladen aan terwijl de machine is ingeschakeld.
- ◆ Probeer nooit om de bladen geforceerd tot stilstand te brengen.
- ◆ Zet de machine niet neer voordat de bladen volledig tot stilstand zijn gekomen.
- ◆ Gebruik de machine niet als de bladen versleten of beschadigd zijn.
- ◆ Vermijd contact met harde voorwerpen (bijv. staaldraad, traliewerk) tijdens het knippen. Indien u per ongeluk een dergelijk voorwerp raakt, dient u de machine onmiddellijk uit te schakelen en op schade te controleren.
- ◆ Indien de machine abnormaal begint te trillen, dient u deze onmiddellijk uit te schakelen en op schade te controleren.
- ◆ Indien de machine komt vast te zitten, dient u deze onmiddellijk uit te schakelen. Verwijder de accu voordat u de obstakels probeert te verwijderen.
- ◆ Plaats na gebruik de meegeleverde beschermhuls over de bladen.
- ◆ Verzeker u er voor gebruik van de machine altijd van dat alle beschermkappen en veiligheidsvoorzieningen zijn aangebracht. Gebruik nooit een incomplete machine of een machine waaraan door onbevoegden modificaties zijn aangebracht.
- ◆ Laat de machine nooit door kinderen gebruiken.

### ELEKTRISCHE VEILIGHEID

Controleer of de ingangsspanning van de oplader overeenkomt met de netspanning.



Uw oplader is dubbel geïsoleerd overeenkomstig EN 60335. Een aarddraad is daarom niet vereist.

### INHOUD VAN DE VERPAKKING

De verpakking bevat:

- 1 Snoerloze heggenschaar
  - 1 Batterij
  - 1 Oplader
  - 1 Beschermhuls
  - 1 Handleiding
- ◆ Pak zorgvuldig alle onderdelen uit.

### OVERZICHT (fig. A)

1. Voorste hendelschakelaar
2. Trekkerschakelaar
3. Ontgrendelingsknop
4. Ventilatieopeningen
5. Scherm
6. Batterij
7. Batterij-ontgrendelingsknoppen
8. Oplader
9. Opladindicator
10. Indicator einde oplaadtijd
11. Beschermhuls

### MONTAGE



Neem voor de montage de batterij van de machine.

### Aanbrengen en verwijderen van de batterij (fig. B)

- ◆ Om de batterij (6) aan te brengen, houdt u hem voor de houder in de machine. Steek de batterij in de houder en duw hem aan totdat hij vastklikt.
- ◆ Om de batterij te verwijderen, drukt u de twee ontgrendelingsknoppen (7) tegelijk in en trekt de batterij uit de houder.

### GEBRUIK



Laat de machine op haar eigen tempo werken. Niet overbelasten.

### Opladen van de batterij (fig. A)

De batterij moet worden opgeladen voor het eerste gebruik alsmede zodra hij niet meer genoeg energie levert voor werkzaamheden die eerder moeiteloos konden worden verricht. Als u de batterij voor de eerste keer of na langdurige opslag oplaadt, zal deze slechts voor ca. 80% worden opgeladen. Na een aantal laad- en ontlad-cycli wordt de batterij echter compleet opgeladen. Tijdens het opladen kan de batterij warm aanvoelen. Dit is normaal en duidt niet op een defect.



Laad de batterij niet op bij omgevingstemperaturen onder 4 °C of boven 40 °C. Aanbevolen oplaadtemperatuur: ca. 24 °C.



## NEDERLANDS

- ◆ Om de batterij (6) op te laden, haalt u deze uit de machine en steekt hem in de oplader (8). De batterij past slechts op één manier in de oplader. Niet forceren. Verzekert u ervan dat de batterij volledig in de oplader is geplaatst.
- ◆ Steek de stekker van de oplader in het stopcontact.

### 3-uurs oplader

De batterij wordt in ongeveer 3 uur volledig opgeladen en kan elk moment worden uitgenomen of voor onbepaalde tijd in de aangesloten oplader worden achtergelaten.

### 1-uurs oplader

- ◆ Controleer of de rode oplaadindicator (9) brandt. Als de groene indicator einde oplaadtijd (10) brandt, is de batterij te heet en kan hij niet worden opgeladen. Indien dit gebeurt, haalt u de batterij uit de oplader en laat hem ongeveer 1 uur lang afkoelen voordat u de batterij terugplaatst.

Na ongeveer 1 uur opladen dooft de rode oplaadindicator (9) en gaat de groene indicator einde oplaadtijd (10) branden. De batterij is nu volledig opgeladen.

- ◆ Verwijder de batterij uit de oplader.

### Aan- en uitschakelen (fig. C)

Voor uw veiligheid is deze machine voorzien van een dubbel schakelsysteem. Dit systeem voorkomt dat de machine onopzettelijk wordt ingeschakeld en staat enkel toe dat de machine met beide handen wordt bediend.

### Inschakelen

- ◆ Knijp de voorste hendelschakelaar (1) in.
- ◆ Duw de ontgrendelingsknop (3) met de duim naar voren en knijp tegelijkertijd de trekkerschakelaar (2) in.
- ◆ Laat de ontgrendelingsknop los.

### Uitschakelen

- ◆ Laat de voorste hendelschakelaar (1) of de trekkerschakelaar (2) los.



Probeer nooit een van de schakelaars in de ingeschakelde positie te blokkeren.

### Tips voor optimaal gebruik

- ◆ Houd de machine een beetje schuin (tot 15° ten opzichte van de kniplijn) zodat de bladpunten lichtjes naar de heg (fig. D1) wijzen. Hierdoor zullen de bladen effectiever knippen.
- ◆ Begin met het knippen van de bovenkant van de heg. Houd de machine in de gewenste hoek en beweeg gelijdelijk langs de kniplijn (fig. D2). Door het dubbelzijdige blad kunt u in beide richtingen knippen.
- ◆ Om een mooie rechte lijn te verkrijgen, trekt u een stuk draad op de gewenste hoogte over de lengte van de heg. Gebruik het draad (12) als geleiding door iets erboven te knippen (fig. D2).
- ◆ Om platte kanten te verkrijgen, knipt u naar boven met de groei mee (fig. D3). Jongere stammen bewegen naar buiten toe indien u met het blad naar beneden knipt, wat leidt tot oneffenheden in de heg.
- ◆ Vermijd contact met vreemde voorwerpen. In het bijzonder harde voorwerpen zoals staaldraad en traliewerk, aangezien deze de bladen kunnen beschadigen (fig. D4).
- ◆ Olie regelmatig de bladen.
- ◆ Het is raadzaam om een reservebatterij aan te schaffen waarmee u de werktijd van deze machine kunt verlengen. Het catalogusnummer van de batterij vindt u in de onderstaande tabel met de technische gegevens.

### ONDERHOUD

Uw Black & Decker machine is ontworpen om gedurende langere periode te functioneren met een minimum aan onderhoud. Voortdurend tevreden gebruik is afhankelijk van correct onderhoud en regelmatig schoonmaken. Uw oplader heeft geen ander onderhoud dan een regelmatige reiniging.



- ◆ Verwijder de batterij van de machine alvorens onderhoudswerkzaamheden uit te voeren.
- ◆ Koppel voor het reinigen van de oplader de netstekker los van het lichtnet.
- ◆ Reinig na gebruik regelmatig de bladen. Breng na reiniging een dunne laag lichte machineolie aan om corrosie aan de bladen te voorkomen.





## NEDERLANDS

- ◆ Reinig regelmatig de ventilatieopeningen van machine en lader met behulp van een zachte borstel of een droge doek.
- ◆ Reinig regelmatig de behuizing van de motor met behulp van een vochtige doek. Gebruik geen schuur- of oplosmiddel.

### Milieu

#### Machine



Wanneer uw oude Black & Decker machine aan vervanging toe is, breng deze dan naar een Black & Decker servicecenter voor milieuvriendelijke verwerking.

#### Batterijen



Black & Decker batterijen kunnen vele malen opnieuw worden opgeladen. Versleten batterijen dienen op milieubewuste wijze te worden verwijderd:

- ◆ Gebruik de energie van de batterij helemaal op en verwijder hem dan van de machine.
- ◆ NiCd- en NiMH-batterijen zijn recycleerbaar. Breng ze naar uw handelaar of naar een plaatselijk verwerkingscentrum voor klein chemisch afval. De ingezamelde batterijen worden dan op milieuvriendelijke wijze gerecycleerd of verwijderd.

### Technische gegevens

		GTC410	GTC510
Spanning	$V_{DC}$	12	14,4
Schaarbewegingen (onbelast)	$\text{min}^{-1}$	1.200	1.200
Bladlengte	cm	43	51
Tandsteek	mm	12	12
Afremtijd van het blad	s	< 0,5	< 0,5
Cat. nr. batterij		A9275	A9276
Gewicht (zonder batterij)	kg	1,95	2,05

Batterij		A9275	A9276
Spanning	$V_{DC}$	12	14,4
Capaciteit	Ah	1,25	1,5
Gewicht	kg	0,6	0,7

### Oplader

Netspanning	$V_{AC}$	230	230
Gemiddelde laadtijd	h	3	1
Gewicht	kg	0,4	1,2

### GARANTIE

**Black & Decker biedt u een garantie van 12 maanden. Een aankoopbewijs is vereist.**

Mocht uw Black & Decker product binnen 12 maanden na datum van aankoop defect raken tengevolge van materiaal- of constructiefouten, dan garanderen wij de kosteloze vervanging van alle defecte delen of van het gehele product, zulks ter beoordeling van Black & Decker, op voorwaarde dat:

- ◆ Het product aan ons of een erkende reparateur wordt geretourneerd, met bewijs van aankoop.
- ◆ Het product uitsluitend voor consumententoepassingen is gebruikt.
- ◆ Het product niet voor verhuurdoeleinden is gebruikt.
- ◆ Geen reparaties zijn uitgevoerd door onbevoegden.
- ◆ Het defect een gevolg van normale slijtage is.

Deze garantie vormt een aanvulling op uw wettelijke rechten.

### Ons garantiebeleid

De volgende defecten vallen niet onder de garantie:

- ◆ Versleten of beschadigde messen, zaagbladen, nylon snoeren, kettingen en kabels. Deze onderdelen zijn bij normaal gebruik onderhevig aan slijtage.
- ◆ Defecten veroorzaakt door vallen, stoten of duidelijk misbruik.
- ◆ Defecten veroorzaakt door het niet opvolgen van de voorschriften en aanbevelingen in deze handleiding.

**Het gebruik van accessoires en onderdelen anders dan die van Black & Decker kan de prestaties van het product verminderen, tot beschadiging leiden en de garantie doen vervallen.**



## NEDERLANDS

### KLANTENSERVICE

Nadere informatie over onze service vindt u op Internet: **www.2helpU.com**. U kunt ook contact opnemen met onze service- en informatiecentra. Adresinformatie vindt u achter in deze handleiding.

Black & Decker biedt de klanten service via een landelijk netwerk van servicecentra.

Ons streven is een uitstekende service: snelle reparaties, een uitgebreide voorraad onderdelen en volledige ondersteuning.

Mocht uw machine defect raken, lever hem dan in bij de handelaar bij wie u hem heeft gekocht of stuur hem naar een van onze servicecentra.

### ANDERE MACHINES VOOR GEBRUIK IN DE TUIN

Black & Decker heeft een compleet scala aan machines die het leven in de tuin vereenvoudigen. Als u meer informatie over de volgende producten wenst, neemt u dan contact op met ons Service- en Informatiecentrum (zie de adrespagina aan het eind van deze handleiding) of uw plaatselijke Black & Decker detailhandelaar.

Strimmers	Hakselaars
Kettingzagen	Bladruimers
Accu-bezems	Verticuteerders
Accu-grasscharen	Grasmaaiers
Accu-tuinscharen	Heggenscharen

Niet ieder product is verkrijgbaar in alle landen.





ESPAÑOL

## RECORTASETOS SIN CABLE GTC410/GTC510

### ¡ENHORABUENA!

Ha escogido una herramienta Black & Decker. Nuestro objetivo es ofrecerle herramientas de calidad a un precio asequible y estamos seguros que podrá disfrutar de esta herramienta durante muchos años.

### DECLARACIÓN CE DE CONFORMIDAD



GTC410/GTC510  
Black & Decker certifica que estas herramientas eléctricas han sido construidas de acuerdo a las normas siguientes: 98/37/CEE, 89/336/CEE, 73/23/CEE, EN 50260, EN 55014, EN 61000, EN 60335

El nivel de la presión acústica, medida de acuerdo con EN 50260:

		GTC410	GTC510
$L_{pA}$ (presión acústica)	dB(A)	80	80
$L_{WA}$ (potencia acústica)	dB(A)	93	93



Tome medidas adecuadas para proteger sus oídos cuando la presión acústica exceda el valor de 85 dB(A).

Valor cuadrático medio ponderado en frecuencia de la aceleración según EN 50260:

	GTC410	GTC510
	< 2,5 m/s <sup>2</sup>	< 2,5 m/s <sup>2</sup>

Brian Cooke  
Director de Ingeniería  
Spennymoor, County Durham DL16 6JG,  
United Kingdom

### FINALIDAD

Su recortasetos Black & Decker GTC410/GTC510 está diseñado para recortar setos, arbustos y zarzas. Esta herramienta está pensada únicamente para consumo doméstico.

Su cargador Black & Decker está diseñado para cargar baterías Black & Decker del tipo suministrado con la herramienta.

### INSTRUCCIONES DE SEGURIDAD

#### Pictogramas

En el presente manual figuran los pictogramas siguientes:



Indica peligro de lesiones, de accidentes mortales o de averías en la herramienta en caso de no respeto de las instrucciones en este manual.



Indica tensión eléctrica.



Lea el manual antes de utilizar la herramienta.



Peligro de incendio.

#### Conocer la herramienta



- ♦ **¡Atencion!** Al utilizar herramientas, observe las reglas de seguridad en vigor en su país, a fin de reducir el riesgo de descarga eléctrica, de lesiones y de incendio.
- ♦ Lea las instrucciones de seguridad siguientes antes de utilizar esta herramienta.
- ♦ Antes de poner en marcha la herramienta, compruebe que sabe cómo desconectarla en caso de emergencia.
- ♦ ¡Conserve bien estas instrucciones de seguridad!



## ESPAÑOL

### Generalidades

#### 1. Tenga en cuenta el entorno del área de trabajo

No exponga las herramientas a la humedad. Procure que el área de trabajo esté bien iluminada. No utilice la herramienta donde exista riesgo de incendio o explosión, p. ej. en la proximidad de líquidos o gases inflamables. Mantenga el área de trabajo limpia de residuos y obstáculos.

#### 2. ¡Mantenga alejados a los niños!

No permita que niños, otras personas o animales se acerquen al área de trabajo o toquen la herramienta.

#### 3. Guarde las herramientas que no utiliza

Las herramientas y baterías que no se utilizan, deben estar guardadas en un lugar seco, fuera del alcance de los niños.

#### 4. Vista ropa de trabajo apropiada

No lleve vestidos anchos ni joyas. Estos podrían ser atrapados por piezas en movimiento. Para trabajos en el exterior, se recomienda llevar guantes de goma y calzado de suela antideslizante. Si tiene el pelo largo, téngalo recogido y cubierto.

#### 5. Protección personal

Lleve gafas de protección y utilice también una mascarilla si el trabajo ejecutado produce polvo u otras partículas volantes. Lleve protectores para los oídos cuando el ruido pueda resultar molesto.

#### 6. No alargue demasiado su radio de acción

Mantenga un apoyo firme sobre el suelo y conserve el equilibrio en todo momento.

#### 7. Esté siempre alerta

Mire lo que está haciendo. Use el sentido común. No maneje la herramienta cuando está cansado.

#### 8. Utilice la herramienta adecuada

En este manual, se indica para qué uso está destinada la herramienta. No utilice herramientas o dispositivos acoplables de potencia demasiado débil para ejecutar trabajos pesados. La herramienta funcionará mejor y con mayor seguridad al ser utilizada de acuerdo con sus características técnicas.

El uso de accesorios o acoplamientos, o el uso de la herramienta misma distintos de los recomendados en este manual de instrucciones, puede dar lugar a lesiones de personas. No fuerce la herramienta.

#### 9. Mantenga las herramientas asiduamente

Mantenga sus herramientas afiladas y limpias para trabajar mejor y más seguro. Siga las instrucciones para el mantenimiento y la sustitución de accesorios. Mantenga los mandos y conmutadores secos, limpios y libres de aceite y grasa.

#### 10. Comprobar que no haya partes averiadas

Antes de utilizar la herramienta, compruebe que no haya averías, a fin de asegurar que funcionará correctamente y sin problemas. Compruebe que no haya desalineamiento o enganche de piezas en movimiento, ni roturas de piezas, ni accesorios mal montados, ni cualquier otro defecto que pudiera perjudicar al buen funcionamiento de la herramienta. Haga que el servicio técnico autorizado repare o sustituya las piezas defectuosas. No use la herramienta si alguna pieza está defectuosa. Jamás intente repararla usted mismo.

#### 11. Extracción de la batería

Extraiga la batería cuando no esté usando la herramienta, antes de sustituir piezas, accesorios o acoplamientos, y antes de efectuar revisiones.

#### 12. Evite un arranque involuntario

Procure no tocar el conmutador de encendido/apagado mientras transporta la herramienta.

#### 13. Cuide el cable de alimentación

No lleve la herramienta por el cable, ni tire del cable para desenchufar la herramienta. Proteja el cable del calor, del aceite y de las aristas vivas.

### Instrucciones de seguridad adicionales para baterías y cargadores

#### Baterías

- ◆ Nunca intente abrirlas por ningún motivo.
- ◆ No las exponga al agua.
- ◆ No las almacene en lugares donde la temperatura pueda exceder los 40 °C.





## ESPAÑOL

- ◆ Cargue las baterías únicamente a temperaturas entre 4 °C y 40 °C.
- ◆ Use únicamente el cargador suministrado para cargar la herramienta (consulte las características técnicas).
- ◆ Antes de cargarla, compruebe que la batería está seca y limpia.
- ◆ Use el tipo de batería correcto para la herramienta (consulte las características técnicas).
- ◆ Cuando deseche las baterías, siga las instrucciones reseñadas en la sección "Medio ambiente".
- ◆ Bajo condiciones extremas, la batería podría perder líquido. Si observa que la batería ha perdido líquido, proceda del modo siguiente:
  - Limpie cuidadosamente el líquido con un paño. Evite el contacto con la piel.
  - En caso de producirse contacto con la piel o los ojos, siga estas instrucciones.



El líquido una solución de un 25-30% de hidróxido de potasio, puede resultar nocivo. En caso de que entre en contacto con la piel, lávese inmediatamente con agua. Neutralícelo con un ácido suave como zumo de limón o vinagre. En caso de que entre en contacto con los ojos, láveselos con agua limpia abundante durante al menos 10 minutos. Consulte a un médico.



¡Peligro de incendio! Evite que se produzcan cortocircuitos metálicos en los contactos de una batería suelta (por ejemplo, no lleve llaves en el mismo bolsillo que una batería).



No arroje la batería al fuego.



No cargar baterías en mal estado.

### Cargadores

- ◆ Use el cargador Black & Decker únicamente para cargar baterías del tipo suministrado. Otras baterías podrían estallar, causando daños y lesiones personales.

- ◆ No intente nunca cargar baterías no-recargables.
- ◆ Sustituya inmediatamente los cables defectuosos.
- ◆ No exponga el cargador al agua.
- ◆ No abra el cargador.
- ◆ No manipule el cargador.



Para uso exclusivo en interiores.

### Instrucciones de seguridad adicionales para recortasetos



Lleve gafas protectoras cuando utilice esta herramienta.



Lleve protectores para los oídos cuando utilice esta herramienta.



Lleve guantes cuando utilice esta herramienta.



No exponga la herramienta a lluvia o humedad elevada.

- ◆ No coloque sus manos sobre el interruptor del mango delantero o sobre el gatillo de la herramienta mientras la transporta, a menos que previamente haya extraído la batería.
- ◆ Si nunca ha usado un recortasetos, es preferible que solicite el consejo de algún usuario con experiencia, además de leer con atención este manual.
- ◆ Nunca toque las cuchillas mientras la herramienta esté funcionando.
- ◆ Nunca intente forzar las cuchillas para que se paren.
- ◆ No suelte la herramienta hasta que las cuchillas estén totalmente paradas.
- ◆ No use la herramienta si las cuchillas están desgastadas o dañadas.
- ◆ Procure evitar los objetos duros (p.e. alambres, cercas) cuando esté recortando. En caso de tocar accidentalmente algún objeto de ese tipo, desconecte inmediatamente la herramienta y compruebe si está dañada.
- ◆ Si la herramienta empieza a vibrar de un modo anormal, desconéctela inmediatamente y compruebe si está dañada.



## ESPAÑOL

- ◆ Si la herramienta se atasca, desconéctela inmediatamente. Antes de intentar retirar cualquier elemento obstructor, extraiga la batería.
- ◆ Después de usar la herramienta, cubra las cuchillas con la funda incluida.
- ◆ Siempre que utilice la herramienta asegúrese de que todas las guardas están ajustadas. Nunca intente utilizar una herramienta incompleta o con modificaciones no autorizadas.
- ◆ No permita que los niños utilicen la herramienta, bajo ningún concepto.

### SEGURIDAD ELÉCTRICA

Compruebe siempre que el voltaje de la red corresponde al valor indicado en la placa de características.



Su cargador tiene doble aislamiento, conforme a la norma EN 60335; por consiguiente, no se requiere conexión a tierra.

### CONTENIDO DE LA CAJA

La caja contiene:

- 1 Recortasetos sin cable
- 1 Batería
- 1 Cargador
- 1 Funda de cuchillas
- 1 Manual de instrucciones

- ◆ Desembale con cuidado todas las piezas.

### VISTA GENERAL (fig. A)

1. Interruptor del mango delantero
2. Interruptor de gatillo
3. Botón de desbloqueo
4. Ranuras de ventilación
5. Protector
6. Batería
7. Botones de liberación para batería
8. Cargador
9. Indicador de carga
10. Indicador de carga completada
11. Funda de cuchillas

### MONTAJE



Antes de proceder al montaje, extraiga siempre la batería.

#### Colocación y retirada de la batería (fig. B)

- ◆ Para introducir la batería (6), colóquela en línea con el receptáculo de la herramienta. Deslice la batería en el receptáculo y empujela hasta que encaje en su sitio.
- ◆ Para retirar la batería, presione los dos botones de liberación (7) simultáneamente mientras extrae la batería del receptáculo.

### USO



Deje que la herramienta funcione a su ritmo. No la sobrecargue.

#### Carga de la batería (fig. A)

La batería debe cargarse antes de usarla por primera vez y siempre que no obtenga la suficiente potencia en trabajos que antes efectuaba con facilidad. Cuando cargue la batería por primera vez, o después de un prolongado almacenaje, sólo obtendrá una carga del 80%. Después de varios ciclos de carga y descarga, la batería alcanzará su capacidad máxima. Durante la carga, la batería podría calentarse; esto es normal y no indica ningún problema.



No cargue la batería a una temperatura ambiente inferior a 4 °C o superior a 40 °C. Temperatura recomendada de carga: aprox. 24 °C.

- ◆ Para cargar la batería (6), extráigala de la herramienta e insértela en el cargador (8). La batería encajará en el cargador sólo en un sentido. No la fuerce. Compruebe que la batería está totalmente insertada en el cargador.
- ◆ Enchufe el cargador.

#### Cargador de 3 horas

La batería estará totalmente cargada en el plazo aproximado de 3 horas. Puede extraerla en cualquier momento o dejarla en el cargador conectado indefinidamente.





## ESPAÑOL

### Cargador de 1 hora

- ◆ Compruebe que el indicador rojo de carga (9) se enciende. Si en su lugar se enciende el indicador verde de carga (10), entonces la batería está demasiado caliente y no puede cargarse. Si ocurre esto, extraiga la batería del cargador, deje que se enfríe durante 1 hora aproximadamente y vuelva a insertarla.

Después de 1 hora aproximada de carga, el indicador rojo (9) se apagará y se encenderá el indicador verde (10), indicando que la batería está totalmente cargada.

- ◆ Extraiga la batería del cargador.

### Encendido y apagado (fig. C)

Para su seguridad, esta herramienta viene equipada con un sistema de doble interruptor. Este sistema evita que la herramienta se ponga en marcha accidentalmente y permite que funcione únicamente cuando se sujeta con las dos manos.

### Puesta en marcha

- ◆ Apriete el interruptor del mango delantero (1).
- ◆ Empuje el botón de desbloqueo (3) hacia adelante usando su dedo pulgar y al mismo tiempo apriete el gatillo (2).
- ◆ Suelte el botón de desbloqueo.

### Desconexión

- ◆ Suelte el interruptor del mango delantero (1) o el gatillo (2).



Jamás intente bloquear un interruptor en la posición de encendido.

### Consejos para un uso óptimo

- ◆ Incline un poco la herramienta (unos 15° en relación con la línea de corte) de forma que las puntas de las cuchillas apunten ligeramente hacia el seto (fig. D1). Esto hará que las cuchillas corten con mayor efectividad.
- ◆ Comience recortando la parte superior del seto. Sujete la herramienta en el ángulo deseado y muévala con firmeza a lo largo de la línea de corte (fig. D2). La cuchilla de doble filo le permite cortar en cualquier dirección.

- ◆ Para lograr un corte muy recto, coloque un cordel a lo largo del seto a la altura deseada. Use el cordel (12) como guía, cortando justo por encima del mismo (fig. D2).
- ◆ Para lograr unos lados lisos, corte hacia arriba en el sentido del crecimiento (fig. D3). Los tallos más jóvenes se mueven hacia fuera cuando la cuchilla corta hacia abajo, ocasionando parches superficiales en el seto.
- ◆ Procure evitar cualquier objeto extraño, y evite especialmente los objetos duros como alambres y cercas, ya que pueden dañar las cuchillas (fig. D4).
- ◆ Engrase periódicamente las cuchillas.
- ◆ Tome en consideración la posibilidad de comprar una batería de repuesto para ampliar la autonomía de funcionamiento de la herramienta. Encontrará la referencia de catálogo de la batería más adelante, en el cuadro de características técnicas.

### MANTENIMIENTO

Su herramienta Black & Decker está diseñada para funcionar durante un largo período de tiempo con un mantenimiento mínimo. El funcionamiento satisfactorio continuado depende de un cuidado apropiado y una limpieza periódica de la herramienta. Su cargador no requiere ningún mantenimiento aparte de una limpieza periódica.



- ◆ Antes de efectuar cualquier mantenimiento en la herramienta, retire la batería de la herramienta.
- ◆ Desenchufe el cargador antes de limpiarlo.

- ◆ Después de usar la herramienta, limpie con cuidado las cuchillas. Una vez limpias, aplique una fina capa de algún lubricante suave para herramientas para evitar que las cuchillas se oxiden.
- ◆ Limpie periódicamente las ranuras de ventilación de la herramienta y del cargador con un cepillo suave o con un paño seco.
- ◆ Limpie periódicamente la carcasa del motor con un paño húmedo. No use limpiadores que contengan ingredientes abrasivos o disolventes.

## ESPAÑOL

### Medio ambiente

#### Herramientas



Si llega el momento en que cree que debe reemplazar su herramienta, o no la piensa utilizar más, piense en la protección del medio ambiente.

Los servicios postventa Black & Decker aceptarán sus herramientas viejas Black & Decker y se desharán de ellas de la forma menos perjudicial para el medio ambiente.

#### Baterías



Las baterías Black & Decker pueden recargarse muchas veces. Al final de su vida útil, deseche las baterías con el debido cuidado con el entorno:

- ◆ Descargue totalmente la batería, luego retírela de la herramienta.
- ◆ Las baterías NiCd y las baterías NiMH son reciclables. Entregue las baterías al servicio postventa Black & Decker o dépositelas en un punto local de reciclado. Las baterías recogidas serán recicladas o adecuadamente desechadas.

#### Características técnicas

		GTC410	GTC510
Voltaje	V <sub>DC</sub>	12	14,4
Cortes de la cuchilla (sin carga)	min <sup>-1</sup>	1.200	1.200
Longitud de la cuchilla	cm	43	51
Separación de la cuchilla	mm	12	12
Tiempo de frenada de la cuchilla	s	< 0,5	< 0,5
Cat. no. batería		A9275	A9276
Peso (sin batería)	kg	1,95	2,05

Batería		A9275	A9276
Voltaje	V <sub>DC</sub>	12	14,4
Capacidad	Ah	1,25	1,5
Peso	kg	0,6	0,7

#### Cargador

Tensión de la red	V <sub>AC</sub>	230	230
Tiempo aproximado de carga	h	3	1
Peso	kg	0,4	1,2

#### GARANTÍA

Si durante el periodo de 12 meses posterior a su adquisición su producto Black & Decker presentara defectos de materiales o mano de obra, el fabricante garantiza su reparación gratuita o su sustitución por uno nuevo, a nuestro criterio, siempre que:

- ◆ El producto se envíe a un centro de servicio Black & Decker con prueba de su fecha de compra.
- ◆ El producto haya sido adquirido por el propio usuario y no para alquilarlo.
- ◆ El producto haya sido correctamente utilizado y tratado con cuidado.
- ◆ No se haya intentado repararlo por personal distinto al de los centros de servicio autorizados.

#### NUESTRA POLÍTICA DE GARANTÍA

Las averías debido a lo siguiente no están cubiertas por la garantía:

- ◆ Recambio de cuchillas viejas o dañadas o cables rotos al usar o almacenar. Éstas se consideran piezas de recambio que se gastan durante el uso normal.
- ◆ Averías debidas a impactos, golpes o maltratos manifiestos.
- ◆ Averías debidas a un uso en desacuerdo con las instrucciones y recomendaciones contenidas en este manual.

**El uso de otros accesorios y recambios que no sean Black & Decker pueden dañar o reducir las características de su producto Black & Decker y anularían la cobertura de esta garantía.**

#### SERVICIO POSTVENTA

Hay disponible en Internet información completa sobre nuestro servicio postventa en [www.2helpU.com](http://www.2helpU.com). Como alternativa, puede ponerse en contacto con nuestro Centro de Servicio e Información en la dirección que figura al final de este manual.



ESPAÑOL

Black & Decker le ofrece una extensa red de servicios postventa en todo el país. Nuestro objetivo es ofrecerle el mejor servicio, reparaciones rápidas, todos los repuestos disponibles y un completo surtido de accesorios.

Si su producto Black & Decker necesita reparación, la solución más rápida y sencilla es llevarlo o enviarlo a un servicio postventa Black & Decker, con la tarjeta si está en garantía.

#### **OTRAS HERRAMIENTAS DE JARDINERÍA**

Black & Decker cuenta con una amplia gama de herramientas de jardinería para hacerle la vida en el jardín más fácil. Si desea más información sobre los siguientes productos, no dude en ponerse en contacto con nuestro Centro de Servicio e Información (consulte la página de direcciones al final de este manual) o diríjase a su concesionario local de Black & Decker.

Motosierras  
Recortabordes  
Recortasetos  
Cortacéspedes  
Escarificadores  
Aspiradores-sopladores

Todos los productos no se encuentran disponibles en todos los países.

## PORTUGUÊS

# CORTA-SEBES SEM FIO GTC410/GTC510

### PARABÉNS!


Você escolheu uma ferramenta Black & Decker. Nosso objectivo é fornecer ferramentas de qualidade a um preço acessível. Esperamos que a utilize por muitos anos.

### DECLARAÇÃO CE DE CONFORMIDADE

**CE** GTC410/GTC510  
Black & Decker declara que estas ferramentas foram concebidas em conformidade com: 98/37/CEE, 89/336/CEE, 73/23/CEE, EN 50260, EN 55014, EN 61000, EN 60335

Nível de potência sonora, medido de acordo com a EN 50260:

		GTC410	GTC510
$L_{pA}$	(pressão sonora) dB(A)	80	80
$L_{WA}$	(potência sonora) dB(A)	93	93

 Use protectores auditivos quando a potência sonora ultrapassar 85 dB(A).

Valor médio quadrático ponderado em frequência de aceleração conforme à EN 50260:

	GTC410	GTC510
	< 2,5 m/s <sup>2</sup>	< 2,5 m/s <sup>2</sup>



Brian Cooke  
Engenheiro Responsável  
Spennymoor, County Durham DL16 6JG,  
United Kingdom

### FINALIDADE DA FERRAMENTA

O seu corta-sebes sem fio Black & Decker GTC410/GTC510 foi concebido para cortar sebes, arbustos e sarças. Esta ferramenta destina-se apenas ao uso doméstico.

O seu carregador Black & Decker foi desenhado para carregar as baterias Black & Decker do tipo fornecido com esta ferramenta.

### INSTRUÇÕES DE SEGURANÇA

#### Símbolos

Os seguintes símbolos são usados neste manual:



Indica risco de ferimentos, perda de vida ou danos à ferramenta no caso do não-cumprimento das instruções deste manual.



Indica tensão eléctrica.



Leia este manual antes de utilizar a ferramenta.



Perigo de incêndio.

#### Conhecer a ferramenta



- ◆ **Aviso!** Quando usar ferramentas, cumpra sempre os regulamentos de segurança aplicáveis no seu país para reduzir o risco de incêndio, de choque eléctrico e de ferimentos.
- ◆ Leia as seguintes instruções de segurança antes de tentar utilizar esta ferramenta.
- ◆ Antes de utilizar a ferramenta, certifique-se de que sabe como desligá-la em uma emergência.
- ◆ Guarde estas instruções!





## PORTUGUÊS

### Instruções gerais

#### 1. Cuide do ambiente da área de trabalho

Não exponha a ferramenta à chuva. Não utilize a ferramenta em situações onde haja humidade ou água. Mantenha a área de trabalho bem iluminada. Não utilize a ferramenta onde haja risco de fogo ou explosão, p.ex. em presença de líquidos ou gases inflamáveis. Mantenha a área de trabalho livre de escombros e obstáculos.

#### 2. Mantenha as crianças afastadas

Não permita que crianças, visitantes ou animais cheguem perto da área de trabalho ou toquem na ferramenta.

#### 3. Guarde as ferramentas que não estiverem a ser utilizadas

Quando não estiverem em uso, as ferramentas e baterias devem ser armazenadas num local seco, fora do alcance de crianças.

#### 4. Vista-se de maneira apropriada

Não use vestuário largo nem jóias porque podem prender-se numa peça móvel. Quando se trabalha no exterior, é de aconselhar o uso de luvas de borracha e de calçado antiderrapante. Cubra o cabelo se tiver cabelo comprido.

#### 5. Protecção pessoal

Utilize óculos de protecção e uma máscara de rosto ou poeira sempre que as operações possam produzir poeira ou partículas que voem. Utilize protector de ouvidos sempre que o nível de ruído pareça ser incómodo.

#### 6. Verifique a sua posição

Mantenha sempre o equilíbrio.

#### 7. Esteja atento

Dê atenção ao que vai fazendo. Trabalhe com precaução. Não utilize ferramentas quando estiver cansado.

#### 8. Empregue a ferramenta apropriada

Neste manual indicam-se as aplicações da ferramenta. Não force pequenas ferramentas ou acessórios para fazer o trabalho numa ferramenta forte. A ferramenta trabalhará melhor e de uma maneira mais segura se for utilizada para o efeito indicado. O uso de qualquer acessório ou o uso da própria ferramenta, além do que é recomendado neste manual de instruções pode dar origem a risco de ferimento. Não force a ferramenta.

#### 9. Cuide das suas ferramentas com atenção

Mantenha as ferramentas cortantes afiadas e limpas para um melhor e mais seguro desempenho. Siga as instruções para a manutenção e a troca de acessórios. Mantenha os punhos e os interruptores secos, limpos e isentos de óleo e gordura.

#### 10. Verifique as peças danificadas

Antes de utilizar a ferramenta, verifique cuidadosamente se esta apresenta sinais de danos de modo a assegurar um bom funcionamento e a obtenção do resultado desejado. Verifique o bom alinhamento e fixação das peças móveis e confirme a ausência de ruptura das peças. Verifique ainda se a montagem foi bem feita ou se existe qualquer outra condição que possa impedir que a ferramenta funcione bem. Qualquer peça defeituosa deve ser reparada ou substituída por um técnico autorizado. Não utilize a ferramenta se houver alguma peça defeituosa. Nunca tente efectuar qualquer reparação por sua conta.

#### 11. Remova a bateria

Remova a bateria quando a ferramenta não estiver em uso, antes de trocar qualquer peça da ferramenta, acessórios ou anexos e antes de enviar ao serviço técnico.

#### 12. Evite ligar sem intenção

Não transporte a ferramenta com um dedo sobre o interruptor liga/desliga.

#### 13. Não force o cabo eléctrico

Nunca transporte a ferramenta pelo cabo e não puxe pelo cabo para tirar a ficha da tomada. Proteja o cabo contra o calor e evite o contacto com óleo e objectos cortantes.

### Instruções adicionais de segurança para baterias e carregadores

#### Baterias

- ◆ Nunca tente abrir seja qual for a razão.
- ◆ Não exponha à água.
- ◆ Não armazene em locais onde a temperatura possa exceder 40 °C.
- ◆ Carregue somente à temperatura ambiente entre 4 °C e 40 °C.



## PORTUGUÊS

- ◆ Carregue somente utilizando o carregador fornecido com a ferramenta (veja os dados técnicos).
- ◆ Antes de carregar, certifique-se de que a bateria esteja seca e limpa.
- ◆ Utilize somente o tipo correcto de bateria para a ferramenta (veja os dados técnicos).
- ◆ Quando se desfizer das baterias, siga as instruções dadas na secção "Ambiente".
- ◆ Sob condições extremas, pode ocorrer vazamento de bateria. Quando notar que há líquido na bateria, proceda da seguinte maneira:
  - Limpe o líquido cuidadosamente utilizando um pano. Evite o contacto com a pele.
  - Em caso de contacto com a pele ou com os olhos, siga as instruções abaixo.



O líquido da bateria, uma 25-30% solução de hidróxido de potássio, pode ser nocivo. Em caso de contacto com a pele, lave imediatamente com água. Neutralize com um ácido suave, como sumo de limão ou vinagre. Em caso de contacto com os olhos, enxague abundantemente com água limpa durante 10 minutos. Consulte um médico.



Perigo de incêndio! Evite curto-circuito metálico nos contactos de uma bateria (p.e. chaves de porcas na mesma caixa que a bateria).



Não queime a bateria.



Não carregue baterias danificadas.

### Carregadores

- ◆ Utilize seu carregador Black & Decker somente para carregar as baterias do tipo fornecido com sua ferramenta. Outras baterias poderiam explodir causando danos pessoais e estragos.
- ◆ Nunca tente carregar baterias não recarregáveis.
- ◆ Substitua os cabos defeituosos imediatamente.

- ◆ Não exponha à água.
- ◆ Não abra o carregador.
- ◆ Não submeta o carregador a testes electrónicos.



Planejado somente para uso em interior.

### Instruções adicionais de segurança para corta-sebes



Utilize óculos de segurança durante o funcionamento da ferramenta.



Utilize protector de ouvidos.



Utilize luvas.



Não exponha a ferramenta à chuva e humidade excessiva.

- ◆ Não carregue a ferramenta com as mãos no interruptor da frente do punho ou no gatilho a menos que a bateria tenha sido removida.
- ◆ Se você não utilizou um corta-sebes anteriormente, é preferível que peça instruções de uso a um utilizador experimentado além de estudar este manual.
- ◆ Nunca toque as lâminas enquanto a ferramenta estiver a funcionar.
- ◆ Nunca tente forçar a paralisação das lâminas.
- ◆ Não largue a ferramenta enquanto as lâminas não estiverem completamente paralisadas.
- ◆ Não utilize a ferramenta quando as lâminas estiverem gastas ou danificadas.
- ◆ Tome cuidado para evitar objectos duros (ex. cabo de metal, grades) enquanto estiver a cortar. Se atingir acidentalmente tais objectos, desligue imediatamente a ferramenta e verifique se há algum dano.
- ◆ Se a ferramenta começar a vibrar de maneira anormal, desligue-a imediatamente e verifique se há algum dano.
- ◆ Se a ferramenta para, desligue-a imediatamente. Remova a bateria antes de tentar remover qualquer obstrução.





## PORTUGUÊS

- ◆ Após o uso, coloque o estojo de lâmina fornecido sobre as lâminas.
- ◆ Assegure-se sempre de que todos os resguardos de protecção estejam encaixados ao utilizar a ferramenta. Nunca tente utilizar ferramentas incompletas ou que contenham modificações não autorizadas.
- ◆ Não deixe que as crianças utilizem a ferramenta.

### SEGURANÇA ELÉCTRICA

Assegure-se de que a voltagem do seu carregador corresponde com a rede de energia.



O seu carregador tem duplo isolamento em conformidade com o estipulado na norma EN 60335, não sendo, por isso, necessária uma ligação à terra.

### CONTEÚDO DA CAIXA

A caixa contém:

- 1 Corta-sebes sem fio
- 1 Bateria
- 1 Carregador
- 1 Estojo de lâmina
- 1 Manual de instruções

- ◆ Retire todas as peças da embalagem, com cuidado.

### VISÃO GERAL (fig. A)

- 1 Interruptor frontal do punho
- 2 Gatilho
- 3 Botão de travamento
- 4 Fendas de ventilação
- 5 Protector
- 6 Bateria
- 7 Botões de liberação para bateria
- 8 Carregador
- 9 Indicador de carregamento
- 10 Indicador de final de carregamento
- 11 Estojo de lâmina

### MONTAGEM



Antes da montagem, retire a bateria.

### Colocando e removendo a bateria (fig. B)

- ◆ Para colocar a bateria (6), alinhe-a com o receptáculo na ferramenta. Deslize a bateria no receptáculo e empurre-a até que ela encaixe no lugar.
- ◆ Para remover a bateria, prima os dois botões de liberação (7) e puxe a bateria para fora do receptáculo simultaneamente.

### USO



Deixe que a ferramenta funcione à vontade. Não a sobrecarregue.

### Carregando a bateria (fig. A)

A bateria precisa ser carregada antes da primeira utilização e sempre que falhe em produzir potência suficiente para realizar trabalhos que antes eram facilmente realizados. Quando estiver a carregar a bateria pela primeira vez, ou após armazenamento prolongado, ela aceitará somente 80% da carga. Após vários ciclos de carga e descarga, a bateria atingirá sua capacidade total. A bateria pode ficar quente enquanto estiver a carregar; isto é normal e não indica um problema.



Não carregue às temperaturas ambientes inferiores a 4 °C ou superiores a 40°. A temperatura recomendada para carregar é de aproximadamente 24 °C.

- ◆ Para carregar a bateria (6), remova-a da ferramenta e insira-a no carregador (8). A bateria só encaixará no carregador de um modo. Não force. Esteja seguro de que a bateria está completamente encaixada no carregador.
- ◆ Ligue o carregador na corrente eléctrica.

### Carregador de 3 horas

A bateria estará completamente carregada em aproximadamente 3 horas. Ela pode ser removida a qualquer momento ou ser deixada no carregador conectado indefinidamente.

### Carregador de 1 hora

- ◆ Verifique se o indicador vermelho de carregamento (9) acende.



## PORTUGUÊS

Se em vez disso o indicador verde de final de carregamento (10) acende, a bateria está muito quente e não pode ser carregada. Se isso acontecer, remova a bateria do carregador, deixe a bateria esfriar por aproximadamente 1 hora e coloque-a de novo.

Depois de aproximadamente 1 hora de carregamento, o indicador vermelho de carregamento (9) se apagará e o indicador verde de final de carregamento (10) acenderá. A bateria estará então completamente carregada.

- ◆ Remova a bateria do carregador.

### Como ligar e desligar a ferramenta (fig. C)

Para sua segurança, esta ferramenta está equipada com um sistema duplo de interruptores. Este sistema previne que a ferramenta entre em funcionamento inadvertidamente e somente permitirá sua operação quando a ferramenta for segurada com as duas mãos.

#### Ligando

- ◆ Pressione o interruptor da frente do punho (1).
- ◆ Empurre o botão de travamento (3) para frente utilizando o dedo polegar e ao mesmo tempo aperte o gatilho (2).
- ◆ Solte o botão de travamento.

#### Desligando

- ◆ Solte o interruptor da frente do punho (1) ou o gatilho (2).



Nunca tente travar um interruptor na posição de ligado.

### Dicas para uma melhor utilização

- ◆ Incline ligeiramente a ferramenta (até 15° relativamente à linha de corte) de maneira que a lâmina se incline ligeiramente em direcção ao sebo (fig. D1). Isto fará com que as lâminas cortem com mais eficazmente.
- ◆ Comece cortando o topo do sebo. Segure a ferramenta no ângulo desejado e mova-a firmemente junto à linha de corte (fig. D2). A lâmina de dois lados permite o corte em qualquer direcção.

- ◆ De modo a obter um corte bem recto, estire um pedaço de cordão ao longo do comprimento do sebo na altura desejada. Utilize o cordão (12) como linha de direcção, cortando logo acima dele (fig. D2).
- ◆ De modo a obter lados planos, corte para cima com o crescimento (fig. D3). Os troncos jovens se afastam quando a lâmina corta para baixo, causando partes rasas no sebo.
- ◆ Tome cuidado para evitar qualquer objecto estranho. Evite especialmente objectos duros tais como cabo de metal e grades, uma vez que estes podem danificar as lâminas (fig. D4).
- ◆ Lubrifique regularmente as lâminas.
- ◆ Considere a compra de uma bateria extra para prolongar o tempo de funcionamento desta ferramenta. O número de catálogo da bateria pode ser encontrado na tabela dos dados técnicos abaixo.

### MANUTENÇÃO

Esta ferramenta Black & Decker foi desenvolvida para funcionar por um longo período, com um mínimo de manutenção. O funcionamento contínuo e satisfatório depende da limpeza regular e cuidado adequado da ferramenta. O seu carregador não requer qualquer manutenção além de sua limpeza regular.



- ◆ Antes de executar qualquer manutenção na ferramenta, remova a bateria da ferramenta.
- ◆ Desligue o carregador da ficha antes de limpá-lo.

- ◆ Após o uso, limpe as lâminas cuidadosamente. Após a limpeza, aplique uma película de óleo de máquina que as lâminas enferrujem.
- ◆ Limpe regularmente as fendas de ventilação da ferramenta e o carregador utilizando uma escova suave ou um pano seco.
- ◆ Limpe regularmente o compartimento do motor utilizando um pano húmido. Não utilize nenhum limpador abrasivo ou de base solvente.





## PORTUGUÊS

### Ambiente

#### Ferramentas



Leve a sua ferramenta velha a um centro de assistência técnica Black & Decker onde ela será eliminada de um modo seguro para o ambiente.

#### Baterias



As baterias Black & Decker podem ser recarregadas muitas vezes. No final de sua vida técnica, jogue fora a bateria tomando o devido cuidado com nosso meio ambiente:

- ◆ Deixe que a bateria se descarregue completamente e depois remova-a da ferramenta.
- ◆ As baterias NiCd e NiMH são recicláveis. Leve-as ao seu distribuidor ou a uma estação local de reciclagem. As baterias colectadas serão recicladas ou jogadas fora propriamente.

12 meses após a compra, garantimos a sua substituição sem encargos adicionais, desde que:

- ◆ O produto tenha sido comprado para utilização própria e não para ser alugado.
- ◆ O produto não tenha sido indevidamente usado ou manipulado.
- ◆ Não tenham sido tentadas reparações por pessoas estranhas aos serviços de assistência técnica da Black & Decker.
- ◆ O produto seja enviado a um centro de assistência técnica devidamente acompanhado do comprovativo de compra.

Esta garantia é oferecida como benefício extra e é adicional aos direitos legais do utilizador.

#### SERVIÇO PÓS-VENDA

Todas as informações sobre o nosso serviço pós-venda são disponíveis na Internet em [www.2helpU.com](http://www.2helpU.com). Em alternativa, queira contactar nosso Centro de Serviço e Informação (consultar a parte de trás do presente manual).

### Dados técnicos

		GTC410	GTC510
Voltagem	$V_{DC}$	12	14,4
Movimentos da lâmina (sem carga)	$min^{-1}$	1.200	1.200
Comprimento da lâmina	cm	43	51
Distância entre lâminas	mm	12	12
Tempo de breque da lâmina	s	< 0,5	< 0,5
Cat. no. bateria		A9275	A9276
Peso (sem a bateria)	kg	1,95	2,05

Bateria		A9275	A9276
Voltagem	$V_{DC}$	12	14,4
Capacidade	Ah	1,25	1,5
Peso	kg	0,6	0,7

Carregador			
Voltagem	$V_{AC}$	230	230
Tempo aproximado de carregamento	h	3	1
Peso	kg	0,4	1,2

#### GARANTIA

Se o seu produto se avariar por defeito de montagem ou de material, durante um período de

Se o seu produto Black & Decker precisar de reparações o modo mais rápido e mais fácil é levá-lo ou enviá-lo a um centro de assistência técnica Black & Decker, incluindo a prova de compra no caso de ser pedido uma reparação no âmbito da garantia.

#### OUTRAS FERRAMENTAS PARA JARDIM

A Black & Decker possui uma grande variedade de ferramentas que facilitam o trabalho no jardim. Se desejar obter mais informações sobre os produtos a seguir, contacte a nossa Central de Manutenção e Informações (veja a página de endereços no final deste manual) ou contate o revendedor local da Black & Decker.

Serras de corrente	Tesouras sem fio
Cortadores sem fio	Podadeiras
Cortadores de relva	Vassouras para relvado
Extractores de folhas	Trituradores
Cortadores de lâminas e cordas	
Cortadores de arbusto e vassouras sem fio	

Nem todos os produtos estão disponíveis em todos os países.



## SVENSKA

# UPPLADDNINGSBAR HÄCKSAX GTC410/GTC510

Tack för att du har valt ett verktyg från Black & Decker. Vi hoppas att du kommer att få glädje av verktyget i många år.

### CE-FÖRSÄKRAN OM ÖVERENSKOMMELSE



GTC410/GTC510  
Black & Decker förklarar att dessa verktyg är konstruerade i överensstämmelse med: 98/37/EEG, 89/336/EEG, 73/23/EEG, EN 50260, EN 55014, EN 61000, EN 60335

Ljudnivå, uppmätt enligt EN 50260:

		GTC410	GTC510
$L_{pA}$ (ljudtryck)	dB(A)	80	80
$L_{WA}$ (ljudeffekt)	dB(A)	93	93



Använd hörselskydd om ljudnivån överskrider 85 dB(A).

Det vägda geometriska medelvärdet av vibrationsfrekvensen enligt EN 50260:

	GTC410	GTC510
	< 2,5 m/s <sup>2</sup>	< 2,5 m/s <sup>2</sup>

*Bowie*

Brian Cooke  
Director of Engineering  
Spennymoor, County Durham DL16 6JG,  
United Kingdom

### ANVÄNDNINGSSOMRÅDE

Din Black & Decker häcksax GTC410/GTC510 är konstruerad för klippning av häckar, buskage och taggiga buskar.

Verktyget är endast avsett för bruk i hemmet.

Din Black & Decker batteriladdare är avsedd för laddning av Black & Decker-batterier av den typ som medföljer verktyget.

### SÄKERHETSINSTRUKTIONER

#### Symboler

Följande symboler har använts i bruksanvisningen:



Anger risk för personskada, livsfara eller skada på verktyg om du inte följer de instruktioner som står i bruksanvisningen.



Anger risk för elektrisk stöt.



Läs bruksanvisningen innan du använder verktyget.



Brandfara.

#### Lär känna verktyget



- Innan du börjar använda verktyget, tag några minuter i anspråk för att läsa igenom bruksanvisningen.
- När man använder verktyg skall dessa grundläggande säkerhetsinstruktioner alltid följas för att minska risken för elektriska stötar, personskada och brand.
- Var säker på att du vet hur man stänger av verktyget innan du börjar använda det.
- Spara bruksanvisningen lättillgängligt.



## SVENSKA

### Allmänt

#### 1. Tänk på arbetsmiljöns inverkan

Utsätt inte verktyget för regn. Använd inte verktyget på fuktiga eller våta platser. Ha bra belysning över arbetsytan. Använd inte verktyget där det finns risk för eldsvåda eller explosion, t.ex. i närheten av lättantändliga vätskor eller gaser. Håll arbetsplatsen i ordning.

#### 2. Utom räckhåll för barn

Tillåt inte barn, besökande eller djur att komma i närheten av arbetsplatsen eller att röra vid verktyget.

#### 3. Förvara verktyg säkert

När verktyget inte används skall det samt batterierna förvaras på en torr plats utom räckhåll för barn.

#### 4. Klä dig rätt

Bär inte löst hängande kläder eller smycken. De kan fastna i rörliga delar. Gummihandskar och halkfria skor rekommenderas vid utomhusarbeten. Använd hårnät om du har långt hår.

#### 5. Skyddskläder

Använd skyddsglasögon eller ansiktsmask om arbetet förorsakar damm eller partiklar i luften. Använd hörselskydd om du besväras av ljudnivån.

#### 6. Sträck dig inte för mycket

Se till att du alltid har säkert fotfäste och balans.

#### 7. Var uppmärksam

Titta på det du gör. Använd sunt förnuft. Använd inte verktyget när du är trött.

#### 8. Använd rätt verktyg

Använd inte verktyg för ändamål de inte är avsedda för. Tvinga inte verktyget att göra arbeten som är avsedda för kraftigare verktyg. Använd endast tillbehör och tillsatser som är rekommenderade i bruksanvisningen och katalogerna. Användning av annat verktyg eller tillbehör kan innebära risk för personskada. Överbelasta inte verktyget.

#### 9. Sköt verktyget med omsorg

Håll verktyget rent och använd välslipade knivar för bättre prestanda och säkrare drift. Följ instruktionerna beträffande skötsel och byte av tillbehör. Håll handtagen och strömbrytare torra, rena och fria från olja och fett.

#### 10. Kontrollera verktyget för skador

Kontrollera att de rörliga delarna fungerar oklanderligt och inte klämmer, att inga delar är brutna, att alla delar är riktigt monterade och att andra förhållanden som kan påverka driften stämmer. Om fel uppstår skall delarna repareras eller bytas ut av en auktoriserad Black & Decker serviceverkstad. Använd inte verktyget om fel uppstår på någon av dess delar. Försök aldrig reparera verktyget själv.

#### 11. Tag ur batteriet

Tag ur batteriet när verktyget inte är i bruk samt före byte av någon del av verktyget, tillbehör eller verktygsfästen och innan serviceåtgärder utförs.

#### 12. Undvik ofrivillig start

Bär aldrig verktyget med ett finger på strömbrytaren.

#### 13. Misshandla inte sladden

Bär aldrig laddaren i sladden och använd inte sladden för att dra ut kontakten. Utsätt inte sladden för värmekällor, olja eller skarpa kanter.

#### Extra säkerhetsföreskrifter för batterier och laddare

##### Batterier

- ◆ Försök aldrig öppna batteriet.
- ◆ Utsätt inte batteriet för vatten.
- ◆ Förvara inte batteriet i utrymmen där temperaturen kan överstiga 40 °C.
- ◆ Ladda endast inom temperaturområdet 4 °C till 40 °C.
- ◆ Ladda endast med laddaren som medföljer (se tekniska data).
- ◆ Kontrollera före laddningen att batteriet är torrt och rent.
- ◆ Använd endast batterier avsedda för verktyget (se tekniska data).
- ◆ När batterierna kasseras skall instruktionerna i kapitlet "Miljö" följas.
- ◆ Under extrema förhållanden kan batteriläckage uppstå. Om du upptäcker vätska från batteriet skall följande iakttas:
  - Torka försiktigt bort vätskan med en trasa. Undvik kontakt med huden.
  - Vid kontakt med huden eller ögonen skall instruktionerna nedan följas.



## SVENSKA



Batterivätskan, en 25-30% lösning av kaliumhydroxid, kan vara skadlig. Vid kontakt med huden, spola omedelbart med vatten. Neutralisera med en svag syra, t ex citronjuice eller ättika. Vid kontakt med ögonen, skölj rikligt med vatten i minst 10 minuter. Kontakta läkare.



Brandfara! Undvik att kontakterna på ett frånkopplat batteri kortsluts av metall (t ex vid förvaring av batteriet i en verktyglåda).



Batteriet får ej eldas upp.



Använd aldrig ett skadat batteri.

### Laddare

- ◆ Använd Black & Decker-laddaren endast tillsammans med det batteri som medföljer verktyget. Andra typer av batterier kan explodera och förorsaka person- och materialskador.
- ◆ Försök aldrig ladda icke uppladdningsbara batterier.
- ◆ Byt genast ut skadade sladdar.
- ◆ Utsätt inte laddaren för vatten.
- ◆ Öppna inte laddaren.
- ◆ Gör ingen åverkan på laddaren.



Endast avsedd för inomhusbruk.

### Extra säkerhetsföreskrifter för häcksaxar



Använd skyddsglasögon under arbetet med maskinen.



Använd hörselskydd under arbetet med maskinen.



Använd handskar under arbetet med maskinen.



Undvik att exponera verktyget för regn och hög luftfuktighet.

- ◆ Bär inte verktyget med händerna på den främre säkerhetsströmbrytaren eller på strömbrytaren om batteriet inte har avlägsnats.
- ◆ Om du aldrig har använt en häcksax förut rekommenderar vi att du ber en erfaren användare om praktiska råd, förutom att du noga läser igenom bruksanvisningen.
- ◆ Rör aldrig knivarna när verktyget är i drift.
- ◆ Försök aldrig tvinga knivarna att stanna.
- ◆ Lägg aldrig ifrån dig verktyget innan knivarna har stannat helt.
- ◆ Använd inte verktyget om knivarna är utslitna eller skadade.
- ◆ Var försiktig och undvik hårda föremål (t ex metalltrådar eller staket) när du klippar. Om du oavsiktligt stöter på hårda föremål skall verktyget omedelbart stängas av och eventuella skador undersökas.
- ◆ Om verktyget börjar vibrera onormalt skall det omedelbart stängas av och eventuella skador undersökas.
- ◆ Om verktyget fastnar, stäng av det omedelbart. Tag bort batteriet innan du avlägsnar föremål som eventuellt har fastnat i häcksaxen.
- ◆ Sätt på det medföljande svärdskyddet på svärdet efter arbetets slut.
- ◆ Se alltid till att alla skydd är monterade när du använder maskinen. Försök aldrig använda en maskin där delar saknas eller otillåtna ändringar har utförts.
- ◆ Låt aldrig barn använda maskinen.

### ELEKTRISK SÄKERHET

Kontrollera att laddarens spänning överensstämmer med nätspänningen.



Laddaren är dubbelisolerad motsvarande EN 60335; jordledare är således överflödigt.

### KARTONGENS INNEHÅLL

Kartongen innehåller:

- 1 Uppladdningsbar häcksax
- 1 Batteri
- 1 Laddare
- 1 Svärdskydd
- 1 Bruksanvisning

- ◆ Packa försiktigt upp alla delar.







## SVENSKA

### ÖVERSIKT (fig. A)

1. Främre säkerhetsströmbrytare
2. Strömbrytare
3. Låsknapp
4. Ventilationsöppningar
5. Handskydd
6. Batteri
7. Batteri-frikopplingsknappar
8. Laddare
9. Laddningsindikator - laddning pågår
10. Laddningsindikator - full laddning
11. Svärdskydd

### MONTERING



Avlägsna alltid batteriet innan montering.

#### Hur batteriet sätts i och tas bort (fig. B)

- ◆ Sätt i batteriet (6) genom att skjuta in det i verktygets batterificka tills det sitter ordentligt på plats.
- ◆ Tag bort batteriet genom att hålla de två frikopplingsknapparna (7) intryckta samtidigt som du drar ut batteriet.

### ANVÄNDNING



Överbelasta inte maskinen, låt den arbeta i sin egen takt.

#### Laddning av batteriet (fig. A)

Batteriet måste laddas innan det används första gången och alltid när verktyget inte längre fungerar effektivt. När batteriet laddas första gången eller efter en längre tids förvaring är dess laddningskapacitet endast 80%. Efter flera uppladdnings- och urladdningscyklar uppnår batteriet full kapacitet. Batteriet kan bli varmt under laddningen; detta är en normal företeelse och indikerar inte något fel.



Ladda inte batteriet om lufttemperaturen är lägre än 4 °C eller högre än 40 °C.  
Rekommenderad temperatur vid laddning: cirka 24 °C.

- ◆ När batteriet (6) skall laddas tas det ur verktyget och placeras i laddaren (8). Det finns bara ett sätt att sätta batteriet i laddaren. Bruka inte våld. Kontrollera att batteriet sitter ordentligt i laddaren.
- ◆ Sätt in laddarens kontakt i vägguttaget.

#### 3 timmars laddare

Batteriet är fulladdat efter cirka 3 timmar. Man kan antingen ta ut batteriet när som helst eller lämna kvar det i den nätanlutna laddaren under obegränsad tid.

#### 1 timmes laddare

- ◆ Kontrollera att den röda laddningsindikatorn (9) tänds. Om den gröna laddningsindikatorn (10) lyser istället betyder det att batteriet är för varmt och inte kan laddas. Om detta händer skall batteriet tas ut ur laddaren och svalna under cirka 1 timme, varefter det placeras i laddaren igen.

Efter cirka 1 timmes laddning släcks den röda laddningsindikatorn (9) och den gröna laddningsindikatorn (10) tänds. Batteriet är nu fulladdat.

- ◆ Tag ut batteriet ur laddaren.

#### Start och stopp (fig. C)

För större säkerhet är verktyget utrustat med dubbelt startsystem, vilket förhindrar ofrivillig start. Detta innebär att häcksaxen måste manövreras med båda händerna för att fungera.

#### Start

- ◆ Tryck in den främre säkerhetsströmbrytaren (1).
- ◆ Skjut låsknappen (3) framåt med tummen och tryck samtidigt in strömbrytaren (2).
- ◆ Släpp låsknappen.

#### Stopp

- ◆ Släpp den främre säkerhetsströmbrytaren (1) eller strömbrytaren (2).



Försök aldrig låsa en strömbrytare i startläge.



## SVENSKA

### Råd för bästa resultat

- ◆ Luta saxen något (upp till 15° mot snittlinjen) så att knivspetsarna riktas mot häcken (fig. D1). Detta gör att knivarna klipper mer effektivt.
- ◆ Håll verktyget i önskad vinkel och förflytta det lugnt och stadigt längs snittlinjen (fig. D2). Dubbelsidiga knivar tillåter klippning i båda riktningarna.
- ◆ För att kunna utföra rak klippning kan man spänna upp ett snöre på önskad höjd utmed häcken. Använd snöret (12) som en riktlinje och klipp precis ovanför det (fig. D2).
- ◆ För att sidorna skall bli raka bör klippningen ske nerifrån och upp i den riktning häcken växer (fig. D3). Unga stammar faller utåt om klippningen utförs i nedåtgående riktning och förorsakar tomma öppningar i häcken.
- ◆ Var försiktig och undvik främmande föremål. Undvik speciellt hårda föremål såsom metalltråd och staket, eftersom dessa kan skada knivarna (fig. D4).
- ◆ Smörj knivarna regelbundet.
- ◆ Det är en god idé att köpa ett reservbatteri för att förlänga verktygets körtid. I tabellen med tekniska data hittar du katalognumret.

### SKÖTSEL

Ditt Black & Decker verktyg har tillverkats för att fungera under lång tid med ett minimum av skötsel. Med rätt underhåll och regelbunden rengöring bibehåller verktyget sin prestanda. Laddaren behöver inget underhåll förutom regelbunden rengöring.



- ◆ Tag bort batteriet innan underhåll utförs på verktyget.
- ◆ Tag ur laddarens kontakt före rengöring.
- ◆ Rengör noga knivarna efter varje användning. Efter rengöring skall knivarna täckas med ett fint lager smörjolja för att undvika att verktyget rostar.
- ◆ Rengör regelbundet ventilationsöppningarna på verktyget och laddaren med en mjuk borste eller torr trasa.
- ◆ Rengör regelbundet kåpan med en fuktig trasa. Använd aldrig lösningsmedel eller frätande rengöringsmedel.

### Miljö

#### Verktyg



När ditt verktyg är utslitet, skydda naturen genom att inte slänga det tillsammans med vanligt avfall. Lämna det till de uppsamlingsställen som finns i din kommun eller där du köpt verktyget.

#### Batterier



Black & Decker batterierna kan laddas många gånger. Skydda miljön genom att lämna kasserade batterier till därför avsedd uppsamlingsplats.

- ◆ Låt batteriet urladdas helt och tag sedan bort det från verktyget.
- ◆ NiCd och NiMH batterier är återvinningsbara. Lämna dem till inköpsstället eller den lokala återvinningsstationen. Återlämnade batterier återvinns eller sänds till särskilda behandlingsanläggningar.

### Tekniska data

		GTC410	GTC510
Spänning	$V_{DC}$	12	14,4
Slagtal (obelastad)	$\text{min}^{-1}$	1.200	1.200
Svärdlängd	cm	43	51
Knivavstånd	mm	12	12
Knivarnas bromstid	s	< 0,5	< 0,5
Kat. nr. batteri		A9275	A9276
Vikt (utan batteri)	kg	1,95	2,05

Batteri		A9275	A9276
Spänning	$V_{DC}$	12	14,4
Kapacitet	Ah	1,25	1,5
Vikt	kg	0,6	0,7

#### Laddare

Spänning	$V_{AC}$	230	230
Laddningstid cirka	tim	3	1
Vikt	kg	0,4	1,2

### GARANTI

Black & Decker AB garanterar att maskinen är fri från material- och/eller fabriktionsfel vid leveransen till köparen.





## SVENSKA

Garantitiden finns specificerad på maskinens förpackning och i gällande kataloger. Garantitiden kan vara ett alternativt två år beroende på produktslag.

Garantin omfattar inte detaljer av förbrukningskaraktär, normalt underhåll, förslitning eller förändring som är en följd av normal användning av maskinen, inställnings- eller injusteringsåtgärder som normalt hanteras av köparen, skötsel eller bruk av maskinen i strid mot bruksanvisning, vanvård, överbelastning, onormalt intensiv användning eller annat onormalt brukande, ombyggnad, ändring eller annat obehörigt ingrepp eller liknande förhållande på köparens sida.

- ◆ För att ha rätt att åberopa fel som omfattas av garanti skall köparen underrätta närmaste, av Black & Decker auktoriserad serviceverkstad om felet inom fjorton dagar efter det att felet upptäckts eller bort upptäckas.
- ◆ Köparen skall därvid uppvisa kvitto, faktura, eller annat inköpsbevis som visar var och när maskinen inköptes.
- ◆ Köparen är skyldig att på egen bekostnad lämna maskinen odemonterad till nämnda serviceverkstad.

Black & Decker AB ansvarar för att maskin som är behäftad med fel som omfattas av garantin kostnadsfritt repareras eller byts ut enligt Black & Decker ABs val. Utöver ansvaret för reparation eller utbyte har Black & Decker AB inget ansvar. Garantin grundar således exempelvis inte rätt till skadestånd.

För konsumentköp gäller dessutom, i förhållandet mellan återförsäljaren och konsumenten, reglerna i konsumentlagen.

### SERVICE

Skulle fel uppstå på maskinen, lämna då alltid in den till en auktoriserad Black & Decker serviceverkstad. (Se aktuell katalog för vidare information eller kontakta Black & Decker AB.)

Förteckning över våra auktoriserade serviceverkstäder finns även på Internet, vår hemsida [www.blackdecker.se](http://www.blackdecker.se) samt [www.2helpU.com](http://www.2helpU.com).

På grund av forskning och utveckling kan specifikationerna ändras vilket inte meddelas separat.

### ANDRA TRÄDGÅRDSREDSKAP

Black & Decker AB har ett brett sortiment av verktyg för utomhusbruk som gör arbetet i trädgården enklare. Kontakta närmaste Black & Decker återförsäljare för ytterligare information eller besök vår hemsida [www.blackdecker.se](http://www.blackdecker.se).

Mossrivare  
Häcksaxar  
Kedjesågar  
Gräsklippare  
Grästrimmare  
Trädgårdsstädare  
Kompostkvarnar

Alla produkter är inte tillgängliga i vissa länder.

NORSK

## OPPLADBAR HEKKSAKS GTC410/GTC510

Du har valgt et Black & Decker verktøy. Vi håper at du vil ha glede av dette verktøyet i mange år fremover.

### CE-SIKKERHETSERKLÆRING



GTC410/GTC510

Black & Decker erklærer at disse verktøyer er konstruert i henhold til: 98/37/EØF, 89/336/EØF, 73/23/EØF, EN 50260, EN 55014, EN 61000, EN 60335

Lydnivået, målt i henhold til EN 50260:

		GTC410	GTC510
$L_{pA}$ (lydnivå)	dB(A)	80	80
$L_{WA}$ (akustisk effekt)	dB(A)	93	93



Bruk hørselsvern dersom lydnivået overskrider 85 dB(A).

Den veide geometriske middelverdien av vibrasjonsfrekvensen i følge EN 50260:

	GTC410	GTC510
	< 2,5 m/s <sup>2</sup>	< 2,5 m/s <sup>2</sup>

*Bowe*

Brian Cooke  
Director of Engineering  
Spennymoor, County Durham DL16 6JG,  
United Kingdom

### BRUKSOMRÅDER

Din Black & Decker hekksaks GTC410/GTC510 er konstruert for å klippe hekker og busker.

Verktøyet er tiltenkt kun for bruk i hjemmet.

Din Black & Decker lader er konstruert for å lade Black & Decker batterier av den typen som leveres med verktøyet.

### SIKKERHETSINSTRUKSJONER

#### Symboler

Følgende symboler brukes i denne bruksanvisningen:



Betegner risiko for personskade, livsfare eller ødeleggelse av verktøyet dersom instruksene i denne bruksanvisningen ikke følges.



Betegner risiko for elektrisk støt.



Les bruksanvisningen før du bruker verktøyet.



Brannfare.

#### Lær verktøyet å kjenne



- ◆ **Advarsel!** Ved bruk av verktøy må disse grunnleggende sikkerhetsforskrifter følges for å redusere risikoen for elektrisk støt, personskade og brann.
- ◆ Ta deg tid til å lese nøye gjennom bruksanvisningen før du begynner å bruke verktøyet.
- ◆ Vær sikker på at du vet hvordan man slår av verktøyet før du begynner å bruke det.
- ◆ Oppbevar bruksanvisningen på et lett tilgjengelig sted.



## NORSK

### Generelt

#### 1. Tenk på arbeidsmiljøets innvirkning

Utsett ikke verktøyet for regn. Bruk ikke verktøyet under våte eller fuktige forhold. Pass på at arbeidsområdet er godt opplyst. Bruk ikke verktøyet hvor det er fare for forårsaking av brann eller en eksplosjon, f. eks. i nærheten av brannfarlige væsker eller gasser. Hold arbeidsområdet ryddig.

#### 2. Hold barn unna

La ikke barn, besøkende eller dyr komme i nærheten av arbeidsområdet eller i kontakt med verktøyet.

#### 3. Oppbevar verktøy på et trygt sted

Når det ikke er i bruk, må verktøy og batteri oppbevares på et tørt sted, og slik at det ikke er tilgjengelig for barn.

#### 4. Kle deg riktig

Ha ikke på deg løstsittende klær eller smykker. De kan sette seg fast i de bevegelige delene. Vi anbefaler gummihansker og sko som ikke glir når du arbeider utendørs. Bruk hårnett hvis du har langt hår.

#### 5. Personlig vern

Bruk vernebriller og en ansikts- eller støvmaske når operasjonene kan forårsake støv eller flyvende partikler. Bruk ørevern når støynivået virker ukomfortabelt.

#### 6. Strekk deg ikke for langt

Pass på at du alltid har sikkert fotfeste og balanse.

#### 7. Vær oppmerksom

Se på det du gjør. Bruk sunn fornuft. Bruk ikke maskinen når du er trett.

#### 8. Bruk riktig verktøy

Bruk ikke verktøyet til formål det ikke er ment for. Tving ikke en maskin til å gjøre arbeid som krever kraftigere verktøy. Bruk bare tilbehør og utstyr som anbefales i bruksanvisningen og i katalogene. Bruk av annet verktøy eller tilbehør kan medføre en mulig risiko for personskaade. Overbelast ikke verktøyet.

#### 9. Vær nøye med vedlikeholdet

Hold verktøyet rent og bruk velslipte kniver for bedre og sikrere drift. Følg forskriftene når det gjelder vedlikehold og skifte av tilbehør. Hold håndtakene og brytere tørre, rene og fri for olje og fett.

#### 10. Sjekk verktøyet for skader

Kontroller at de bevegelige delene fungerer uklanderlig, at de ikke sitter i klemme, at ikke deler er brukket. Sjekk at alt er riktig montert og at alt som kan påvirke driften stemmer. Hvis noen av delene er skadet så få de reparert eller byttet ut av et autorisert Black & Decker serviceverksted. Bruk aldri verktøyet hvis noen av delene er skadet. Prøv aldri å reparere selv.

#### 11. Fjern batteriet

Ta ut batteriet når verktøyet ikke er i bruk, før du bytter noen av delene på verktøyet, tilbehør eller tilslutning og før vedlikeholdelse.

#### 12. Unngå utilsiktet start

Bær aldri verktøyet med fingeren på strømbryteren.

#### 13. Vær forsiktig med ledningen

Bær aldri laderen i ledningen og dra ikke i denne for å ta ut kontakten. Hold kabelen fri fra kontakt med varme, olje, eller skarpe kanter.

### Ekstra sikkerhetsforholdsregler for batterier og ladere

#### Batterier

- ♦ Må aldri åpnes.
- ♦ Må ikke komme i kontakt med vann.
- ♦ Må ikke oppbevares på steder hvor temperaturen kan overstige 40 °C.
- ♦ Må bare lades i lufttemperaturer mellom 4 °C og 40 °C.
- ♦ Lad bare med laderen som følger med verktøyet (se tekniske data).
- ♦ Før opplading, pass på at batteriet er tørt og rent.
- ♦ Bruk bare den korrekte type batteri for verktøyet (se tekniske data).
- ♦ Når du skal kaste batteriet, følger du instruksene som er gitt i seksjonen "Miljø".
- ♦ Under ekstreme forhold, kan batterilekkasje forekomme. Når du merker væske på batteriet, må du gjøre som følger:
  - Tørk forsiktig væsken med et tøystykke. Unngå kontakt med huden.
  - I tilfeller hvor det oppstår kontakt med hud eller øyne, skal instruksjonene nedenfor følges.



## NORSK



Batterivæsken, en 25-30 % løsning av kaliumhydroksid, kan være skadelig. Hvis det oppstår berøring med hud, må du straks skylle med vann. Nøytraliser med en svak syre, f.eks. sitronsaft eller eddik. Hvis du får væsken i øynene, må du rense dem med rikelig rent vann i minst 10 minutter. Kontakt lege.



Brannfare! Unngå at metall kortslutter kontaktene på et batteri som er tatt ut (f.eks. ved oppbevaring av batteriet i en verktøykasse).



Ikke brenn batteriet.



Bruk aldri et skadet batteri.

### Ladere

- Bruk din Black & Decker lader kun sammen med det batteriet som blir levert med verktøyet. Andre typer av batterier kan eksplodere og forårsake person- og materialskader.
- Forsøk aldri å lade ikke oppladbare batterier.
- Bytt straks ut defekte ledninger.
- Må ikke komme i kontakt med vann.
- Laderen må ikke åpnes.
- Ikke skad eller misbruk laderen.



Tiltenkt kun for innendørsbruk.

### Ekstra sikkerhetsinstruksjoner for hekksaks



Ha på deg vernebriller når du bruker dette verktøyet.



Ha på deg ørevern når du bruker dette verktøyet.



Ha på deg hansker når du bruker dette verktøyet.



Utsett ikke verktøyet for regn eller høy fuktighet.

- Ikke bær verktøyet med hendene på den fremste sikkerhetsstrømbryteren eller på strømbryteren, hvis ikke batteriet er fjernet.
- Hvis du ikke har brukt en hekksaks før, bør du søke praktisk veiledning hos en erfaren bruker i tillegg til å lese denne bruksanvisningen.
- Rør aldri knivene så lenge verktøyet er i gang.
- Prøv aldri å tvinge knivene til å stoppe.
- Legg ikke verktøyet fra deg før knivene har stoppet fullstendig.
- Bruk ikke verktøyet når knivene er slitte eller skadet.
- Pass på å ikke komme nær harde ting (f.eks. ståltråd, gjerder) når du klipper. Skulle du allikevel komme bort i harde gjenstander, slå verktøyet av med en gang og sjekk om det er blitt skadet.
- Skulle verktøyet begynne å vibrere på en unormal måte, slå det av med en gang og sjekk om det er blitt skadet.
- Hvis verktøyet blokkeres, skru det av med en gang. Ta ut batteriet før du prøver å fjerne det som har satt seg fast.
- Etter bruk, sett futteralet som leveres med, over knivene.
- Forsikre deg alltid om at alle beskyttelser er montert når du bruker verktøyet. Prøv aldri å bruke et ufullstendig verktøy eller et verktøy det er gjort ulovlige endringer på.
- La aldri barn få bruke verktøyet.

### ELEKTRISK SIKKERHET

Kontroller at spenningen til laderen tilsvarer nettspenningen.



Laderen er dobbeltisolert i samsvar med EN 60335. Jordet ledning er derfor ikke nødvendig.

### INNHold I KARTONGEN

Kartongen inneholder:

- 1 Oppladbar hekksaks
- 1 Batteri
- 1 Lader
- 1 Knivfuttal
- 1 Bruksanvisning

- Pakk forsiktig ut alle delene.





## NORSK

### OVERSIKT (fig. A)

1. Sikkerhetsstrømbryter/front
2. Strømbryter
3. Låseknapp
4. Ventilasjonsåpninger
5. Håndbeskyttelse
6. Batteri
7. Batteriutløserknapp
8. Lader
9. Ladingsindikator - lading pågår
10. Ladingsindikator - lading fullført
11. Knivfuttal

### MONTERING



Før montering må du alltid ta ut batteriet.

#### Plassering og fjerning av batteriet (fig. B)

- ◆ For å sette i batteriet (6), hold dette på høyde med holderen på verktøyet. Skyv batteriet inn i holderen og trykk det til det er på plass.
- ◆ For å fjerne batteriet, trykk på de to utløserknappene (7) samtidig, mens batteriet dras ut av holderen.

### ANVENDELSE



La verktøyet jobbe i sin egen hastighet. Ikke overbelast.

#### Lading av batteriet (fig. A)

Batteriet må lades før første gangs bruk og alltid når verktøyet ikke lenger fungerer effektivt. Når batteriet lades for første gang, eller etter at det ikke har vært brukt i en periode, vil det bare akseptere 80% oppladning. Etter flere ladings- og utladingsperioder, vil batteriet oppnå full kapasitet. Batteriet kan bli varmt mens det lades; dette er normalt og indikerer ikke at noe er feil.



Lad ikke batteriet hvis lufttemperaturen er under 4 °C eller over 40 °C. Anbefalt ladingstemperatur: ca. 24 °C.

- ◆ For å lade batteriet (6), ta det ut av verktøyet og sett det inn i laderen (8). Det er bare en måte å plassere batteriet inn i laderen på.

Ikke bruk makt. Pass på at batteriet ligger ordentlig på plass i laderen.

- ◆ Sett laderens kontakt i vegguttaket.

#### 3 timers lader

Batteriet vil bli ferdig oppladet på ca. 3 timer. Det kan fjernes når som helst eller det kan stå i den tilkoblede laderen på ubestemt tid.

#### 1 times lader

- ◆ Sjekk om den røde ladingsindikatoren (9) lyser. Hvis den grønne laderindikatoren (10) lyser istedenfor, er batteriet for varmt og kan ikke lades. Hvis dette hender, ta batteriet ut av laderen, la det avkjøle i ca. 1 time og sett det inn igjen.

Etter ca. 1 times lading, vil den røde ladingsindikatoren (9) slukke og den grønne laderindikatoren (10) vil lyse. Batteriet er nå ferdig oppladet.

- ◆ Fjern batteriet fra laderen.

#### Start og stopp (fig. C)

For din egen sikkerhet, er dette verktøyet utstyrt med et dobbelt startesystem. Dette systemet forhindrer at en ufrivillig starter verktøyet, og vil bare tillate drift når verktøyet blir holdt med begge hender.

#### Starte

- ◆ Klem inn sikkerhetsstrømbryteren (1) på fronthåndtaket.
- ◆ Trykk låseknappen (3) forover med tommelen samtidig som du klemmer på strømbryteren (2).
- ◆ Slipp låseknappen.

#### Stoppe

- ◆ Slipp sikkerhetsstrømbryteren (1) på fronthåndtaket eller strømbryteren (2).



Prøv aldri å låse en strømbryter i startstilling.

#### Råd for optimalt resultat

- ◆ Sett verktøyet litt på skrå (opp til 15° i relasjon til kuttlinjen) slik at knivspissene peker svakt mot hekken (fig. D1). Dette vil gjøre at knivene klipper mere effektivt.



## NORSK

- ◆ Start med å klippe toppen av hekken. Hold verktøyet i den ønskede vinkelen og beveg det jevnt langs kuttlinjen (fig. D2). Den dobbeltvirkende kniven lar deg klippe i begge retninger.
- ◆ For å klippe helt rett, strekk en snor langs hekken i den høyden du ønsker. Bruk snoren (12) som en siktelinje, og klipp akkurat over den (fig. D2).
- ◆ For å få flate sider, klipp oppover med vokseretningen (fig. D3). Yngre skudd vil falle utover hvis du klipper nedover, og lager tomme åpninger i hekken.
- ◆ Pass på å ikke komme bort i fremmedlegemer. Unngå spesielt harde ting som ståltråd og gjerder, da disse kan skade knivene (fig. D4).
- ◆ Smør knivene regelmessig med olje.
- ◆ Det er en god idé og kjøpe ett reservebatteri for å utvide verktøyets gangtid. I tabellen med tekniske data finner du katalognummeret.

### VEDLIKEHOLD

Ditt Black & Decker verktøy har blitt utformet for å være i drift over en lang periode med et minimum av vedlikeholdelse. Ved riktig vedlikehold og regelmessig rengjøring beholder verktøyet sin prestasjon.

Laderen din behøver ikke annet vedlikehold enn regelmessig rengjøring.



- ◆ Før det utføres noen form for vedlikehold av verktøyet, må batteriet tas ut.
- ◆ Trekk ut laderens kontakt før rengjøring.
- ◆ Rengjør knivene omhyggelig etter hver bruk. Etter rengjøringen, smør på et tynt lag med lett maskinolje for å unngå at knivene ruste.
- ◆ Rengjør verktøyets ventilasjonsåpninger, så vel som laderen, regelmessig, med en bløt børste eller en tørr klut.
- ◆ Rengjør kåpen regelmessig med en fuktig klut. Bruk ikke etsende eller løsemiddelbaserte rengjøringsmidler.

### Miljø

#### Verktøy



Når verktøyet ditt er utslitt, beskytt naturen ved ikke å kaste det sammen med annet vanlig avfall. Lever det til kildesortering eller der du kjøpte verktøyet.

#### Batterier



Black & Decker batterier kan lades mange ganger. Beskytt miljøet ved å levere kasserte batteriet til kildesortering:

- ◆ Kjør batteriet til det er helt flatt, ta det så ut av verktøyet.
- ◆ NiCd og NiMH batterier kan resirkuleres. Ta dem med til din forhandler eller din lokale kildesortering. Batteriene vil da bli resirkulert eller tatt hånd om på en miljøvennlig måte.

### Tekniske data

		GTC410	GTC510
Spenning	$V_{DC}$	12	14,4
Knivbevegelse (ubel.)	$\text{min}^{-1}$	1.200	1.200
Knivlengde	cm	43	51
Tannavstand	mm	12	12
Knivbremsetid	s	< 0,5	< 0,5
Kat.nr. batteri		A9275	A9276
Vekt (uten batteri)	kg	1,95	2,05

		A9275	A9276
Spenning	$V_{DC}$	12	14,4
Kapasitet	Ah	1,25	1,5
Vekt	kg	0,6	0,7

Lader			
Nettspenning	$V_{AC}$	230	230
Ladetid, ca	t	3	1
Vekt	kg	0,4	1,2

### GARANTI

Black & Decker (Norge) A/S garanterer at maskinen er uten material- og/eller fabrikkasjonsfeil ved levering kjøperen. Garantitiden er spesifisert på maskinens forpakning og i gjeldende kataloger.





## NORSK

Garantitiden kan være ett alternativt to år avhengigi av produktslag. Garantien omfatter ikke detaljer av forbrukskarakter, normalt vedlikehold, slitasje eller forandring som er en følge av normalt bruk, innstillingsjustering eller annen justering som normalt håndteres av kjøperen, vedlikehold eller bruk av maskinen i strid med bruksanvisningen, mislighold, overbelastning, unormalt intensivt bruk eller annet unormalt bruk, ombygging, endring eller annen forandring eller lignende forhold fra kjøperens side.

- ◆ For å påberope feil som omfattes av garanti skal kjøperen underrette nærmeste autoriserte Black & Decker serviceverksted om feilen innen fjorten dager etter at feilen oppdages.
- ◆ Kjøperen skal kunne fremvise kvittering, faktura eller annet kjøpsbevis som viser hvor og når verktøyet ble kjøpt.
- ◆ Kjøperen skal for egen bekostning levere verktøyet udemontert til autoriserte serviceverksted eller til kjøpsstedet.

Black & Decker (Norge) A/S har ansvar for at maskiner som er beheftet med feil som omfattes av garantien, og reparere eller bytte ut disse kostnadsfritt etter Black & Decker (Norge) A/S valg. Utover ansvar for reparasjoner eller bytte har Black & Decker (Norge) A/S ingen ansvar. Garantien gir dermed f.eks. ikke rett til skadeerstatning. For konsumentkjøp gjelder dessuten Kjøpsloven som regulerer forholdet mellom forhandler og kunde.

### SERVICE

Skulle det oppstå feil på maskinen, lever den alltid inn til et autorisert Black & Decker serviceverksted eller der hvor du kjøpte den. Se aktuell katalog for mer informasjon eller kontakt Black & Decker (Norge) A/S. Oversikt over våre autoriserte serviceverksteder finnes også på Internett, vår hjemmeside [www.blackdecker.no](http://www.blackdecker.no) samt [www.2helpU.com](http://www.2helpU.com). Du kan også kontakte Black & Decker (Norge) A/S (adressen finner du bakpå bruksanvisningen).

Skulle ditt verktøy trenge reparasjon, leveres verktøyet til serviceverksted eller kjøpsstedet.

På grunn av forskning og utvikling kan spesifikasjonene endres, noe som ikke meddeles separat.

### ANDRE HAGEVERKTØY

Black & Decker har et bredt sortiment av verktøy for utendørsbruk som gjør arbeidet i hagen enklere. Kontakt nærmeste Black & Decker forhandler for ytterligere informasjon eller besøk vår hjemmeside: [www.blackdecker.no](http://www.blackdecker.no).

Mosefjerner  
Gressklippere  
Hekksakser  
Kjedesager

Kompostkverner  
Løvfjerner  
Gresstrimmere

Ikke alle produkter er tilgjengelige i alle land.



DANSK

## BATTERIDREVET HÆKKEKLIPPER GTC410/GTC510

Tak fordi du valgte Black & Decker. Vi håber at du får glæde af dette værktøj i mange år fremover.

### EU-OVERENSSTEMMELSESERKLÆRING



GTC410/GTC510

Black & Decker erklærer at disse værktøjer er konstrueret i henhold til: 98/37/EØF, 89/336/EØF, 73/23/EØF, EN 50260, EN 55014, EN 61000, EN 60335

Lydniveauet målt i henhold til EN 50260:

		GTC410	GTC510
$L_{pA}$ (lydniveau)	dB(A)	80	80
$L_{WA}$ (akustisk styrke)	dB(A)	93	93



Anvend høreværn, hvis lydniveauet overstiger 85 dB(A).

Den vægtede geometriske middelværdi af accelerationsfrekvensen i henhold til EN 50260:

	GTC410	GTC510
	< 2,5 m/s <sup>2</sup>	< 2,5 m/s <sup>2</sup>

*Bowe*

Brian Cooke  
Director of Engineering  
Spennymoor, County Durham DL16 6JG,  
United Kingdom

### BEREGNET BRUG

Deres Black & Decker hækkeklipper GTC410/GTC510 er designet til at klippe hække, buske og krat. Værktøjet er kun beregnet til privat brug. Deres Black & Decker lader er designet til opladning af samme Black & Decker batterier, som leveres med dette værktøj.

### SIKKERHEDSINSTRUKTIONER

#### Piktogrammer

Følgende piktogrammer anvendes i denne brugsanvisning:



Angiver risiko for personskade, livsfare eller ødelæggelse af værktøjet, hvis brugsanvisningens instruktioner ikke følges.



Angiver risiko for elektrisk stød.



Læs brugsanvisningen igennem, inden værktøjet tages i brug.



Brandfare.

#### Generelt



- ◆ **Advarsel!** Følgende grundlæggende sikkerhedsinstruktioner skal altid følges for at nedsætte risikoen for elektriske stød, personskader og brand.
- ◆ Læs brugsanvisningen igennem, inden værktøjet tages i brug.
- ◆ Du skal sikre dig, at du ved, hvordan værktøjet slukkes, inden det tages i brug.
- ◆ Opbevar brugsanvisningen let tilgængeligt.



## DANSK

### 1. Tænk på arbejdsmiljøets indflydelse

Udsæt ikke værktøjet for regn. Anvend ikke værktøjet på fugtige eller våde pladser. Sørg for en god belysning over arbejdsområdet. Anvend ikke værktøj hvor der eksisterer risiko for, at brand kan opstå eller eksplosioner forekomme, som følge af brug af værktøjet. F. eks. aldrig i nærheden af let antændelige væsker eller gasser. Arbejdsområdet skal holdes fri for affald og forhindrende genstande.

### 2. Hold børnene på afstand

Børn, besøgende eller dyr må ikke nærme sig arbejdsområdet eller røre ved værktøjet.

### 3. Opbevar værktøjet sikkert

Når værktøj og batterier ikke er i brug, skal de opbevares på et tørt sted udenfor børns rækkevidde.

### 4. Klæd dig rigtigt på

Bær ikke løst hængende tøj eller smykker. De kan sidde fast i bevægelige dele. Gummihandsker og skridsikre sko anbefales ved udendørs arbejde. Brug håernet, hvis du har langt hår.

### 5. Personlig beskyttelse

Brug beskyttelsesbriller og ansigts- eller støvmaske, når brug af værktøjet kan medføre støv eller flyvende partikler. Brug høreværn, når lydniveauet virker generende.

### 6. Stræk dig ikke for meget

Sørg for, at du altid har sikkert fodfæste og balance.

### 7. Vær opmærksom

Se på det, du gør. Brug din sunde fornuft. Brug ikke værktøjet, når du er træt.

### 8. Brug det rigtige værktøj

Brug ikke værktøjet til formål, det ikke er beregnet til. Tving ikke elværktøj til at udføre arbejde, som er beregnet til kraftigere værktøj. Brug kun tilbehør og dele, der er anbefalet i brugsanvisningen og katalogerne. Anvendelsen af andet tilbehør kan medføre risiko for personskader. Værktøjet må ikke forceres.

### 9. Vedligehold værktøjet omhyggeligt

Skærende værktøj skal holdes skarpe og rene, for på denne måde at opnå et bedre og mere sikkert brug.

Følg vedligeholdelsesvejledningen samt vejledningen til udskiftning af tilbehør. Hold håndtagene og knapperne tørre, rene og fri for olie og fedt.

### 10. Kontroller værktøjet for skader

Kontroller at de bevægelige dele fungerer upåklageligt og ikke klemmer, at ingen dele er gået i stykker, at alle dele er rigtigt monterede, og at andre forhold, der kan påvirke driften, er i orden. Defekte dele skal repareres eller udskiftes af en autoriseret tekniker. Værktøjet må ikke benyttes, hvis en del er beskadiget. Man må aldrig forsøge selv at reparere værktøjet.

### 11. Fjern batteriet

Fjern batteriet når værktøjet er ude af brug og før udskiftning af enhver værktøjsdel, tilbehør eller andet udstyr.

### 12. Undgå utilsigtet start af værktøjet

Man må ikke bære værktøjet med en finger på tænd/sluk knappen.

### 13. Vær forsigtig med ledningen

Laderen må aldrig bæres i ledningen eller tages ud af stikkontakten ved at rive i ledningen. Ledningen skal holdes på afstand fra varme, olie og skarpe kanter.

### Yderligere sikkerhedsanvisninger til batterier og ladere

#### Batterier

- ♦ Man må aldrig åbne et batteri.
- ♦ Det må ikke udsættes for vand.
- ♦ Det må ikke opbevares i lokaler, hvor temperaturen overstiger 40 °C.
- ♦ Det må kun oplades ved omgivelsestemperaturer mellem 4 °C og 40 °C.
- ♦ Oplad kun med den vedlagte lader (se tekniske data).
- ♦ Før opladning skal man sikre sig, at batteriet er tørt og rent.
- ♦ Benyt kun de til værktøjet beregnede batterier (se tekniske data).
- ♦ Ved kassering af batterier, skal man følge vejledningen givet i afsnittet "Miljø".
- ♦ Under ekstreme forhold kan der forekomme batteriutætheder. Hvis man opdager væske på batteriet, skal man gå frem på følgende måde:



## DANSK

- Tør forsigtigt væsken af med en klud. Undgå kontakt med huden.
- I tilfælde af at væsken kommer i kontakt med huden, skal man følge nedenstående vejledning.



Batterivæsken, en 25-30% opløsning af kaliumhydroksid, kan være skadelig. Ved hudkontakt skal der omgående skylles med vand. Neutraliser med en mild syre såsom citronsaft eller eddike. Ved øjenkontakt skylles med rigeligt vand i mindst 10 minutter. Opsøg læge.



Brandfare. Undgå at kortslutte kontakterne på et frakoblet batteri med metalgenstande (ved f.eks. at have nøgler i samme lomme som batteriet).



Brænd ikke batteriet.



Oplad ikke et beskadiget batteri.

### Ladere

- ◆ Din Black & Decker lader må kun benyttes til Black & Decker batterier af samme slags, som de med værktøjet leverede batterier. Andre batterier kan eksplodere og medføre personskader.
- ◆ Man må aldrig forsøge at oplade ikke opladelige batterier.
- ◆ Defekte ledninger skal straks udskiftes.
- ◆ Må ikke udsættes for vand.
- ◆ Laderen må ikke åbnes.
- ◆ Laderen må ikke manipuleres.



Kun beregnet til indendørs brug.

### Yderligere sikkerhedsvejledninger til hækkeklippere



Man skal bære sikkerhedsbriller, når man arbejder med dette værktøj.



Man skal benytte høreværn, når man arbejder med dette værktøj.



Man skal bruge handsker, når man arbejder med dette værktøj.



Udsæt ikke værktøjet for regn eller høj fugtighed.

- ◆ Man må ikke bære værktøjet med hænderne på knappen til det forreste håndtag eller på startknappen, med mindre batteriet er blevet fjernet.
- ◆ Hvis man aldrig har benyttet en hækkeklipper før, er det anbefalelsesværdigt at bede om praktisk hjælp fra en øvet bruger, samtidig med at denne brugervejledning skal læses.
- ◆ Man må aldrig berøre knivene, mens værktøjet er i gang.
- ◆ Man må aldrig tvinge knivene til standsning.
- ◆ Værktøjet må ikke stilles fra sig, før knivene er fuldstændigt stoppet.
- ◆ Man må ikke benytte værktøjet, hvis knivene er slidte eller beskadiget.
- ◆ Man skal undgå hårde genstande (f.eks. metalwire, stakitter) når man klipper. Skulle man ved et uheld komme til at ramme en sådan genstand, skal man straks slukke for værktøjet og checke for skader.
- ◆ Hvis værktøjet begynder at vibrere på unormal vis, skal det straks slukkes og checkes for skader.
- ◆ Hvis værktøjet går i stå, skal det straks slukkes. Batteriet skal fjernes, før man forsøger at fjerne obstruerende genstande.
- ◆ Efter brug skal den leverede knivbeskytter sættes over knivene.
- ◆ Sørg altid for, at alle sikkerhedsanordningerne sidder fast, når du bruger værktøjet. Forsøg aldrig at bruge et ukomplet værktøj eller et værktøj, der er blevet ændret på en uautoriseret måde.
- ◆ Lad aldrig børn bruge værktøjet.

### ELEKTRISK SIKKERHED

Kontroller, om laderens spænding svarer til lysnettets spænding.





## DANSK



Laderen er dobbelt isoleret i henhold til EN 60335; jordledning er derfor ikke påkrævet.

### KASSENS INDHOLD

Kassen indeholder følgende:

- 1 Batteridrevet hækkeklipper
- 1 Batteri
- 1 Lader
- 1 Knivbeskytter
- 1 Brugervejledning

- ◆ Pak forsigtigt alle dele ud.

### OVERSICHT (fig. A)

1. Knap forreste håndtag
2. Startknap
3. Låseknap
4. Ventilationshuller
5. Værn
6. Batteri
7. Batteri-udløserknapper
8. Lader
9. Opladningsviser
10. Opladning fuldført viser
11. Knivbeskytter

### SAMLING



Før samling skal batteriet altid afmonteres.

### Isætning og fjerning af batteriet (fig. B)

- ◆ For at sætte batteriet (6) i, placeres det på linje med værktøjets batteriholder. Dernæst føres batteriet ind i holderen og skubbes på plads.
- ◆ For at fjerne batteriet, trykkes der på de to udløserknapper (7) samtidig med, at batteriet tages ud af batteriholderen.

### BRUG



Lad værktøjet arbejde i dets eget tempo. Man må ikke overlæsse det.

### Opladning af batteriet (fig. A)

Batteriet skal oplades, før det tages i brug for første gang, samt når det ikke er i stand til at fremskaffe tilstrækkelig kraft til opgaver, som normalt udføres uden besvær. Når batteriet oplades for første gang eller efter en længere periode ude af brug, kan det kun oplades 80%. Efter adskillige opladnings- og afladningsperioder opnår batteriet fuld kapacitet. Batteriet kan blive opvarmet under opladning; dette er normalt og er ikke ensbetydende med, at der er problemer.



Batteriet må ikke oplades i omgivelsestemperaturer på under 4 °C eller over 40 °C. Anbefalet opladningstemperatur: ca. 24 °C.

- ◆ For at oplade batteriet (6), fjernes det fra værktøjet og sættes ind i laderen (8). Batteriet kan kun sættes ind på én måde. Man må ikke tvinge det. Man skal sikre sig, at batteriet er fuldstændig indsat i laderen.
- ◆ Sæt laderen i stikkontakten.

### 3 timers lader

Batteriet er fuldstændigt opladet efter ca. 3 timer. Det kan fjernes på et hvilket som helst tidspunkt eller efterlades i den tilsluttede lader for evigt.

### 1 time lader

- ◆ Check om den røde opladningsviser (9) lyser op. Hvis den grønne "opladning fuldført" viser (10) lyser, betyder det, at batteriet er for varmt og derfor ikke kan oplades p.t. Hvis dette sker, skal batteriet fjernes fra laderen og nedkøles i ca. 1 time, hvorefter det kan sættes i laderen igen.

Efter ca. 1 times opladning, hører den røde opladningsviser (9) op med at lyse, og den grønne opladning fuldført viser (10) lyser op. Batteriet er nu fuldt opladet.

- ◆ Fjern batteriet fra laderen.

### Tænding og slukning (fig. C)

For brugerens sikkerhed er dette værktøj udstyret med et dobbelt tændingssystem. Dette system modvirker at værktøjet går i gang uden varsel. Samtidig er det kun muligt at betjene værktøjet med begge hænder.





## DANSK

### Tænd

- ◆ Tryk på knappen på det forreste håndtag (1).
- ◆ Tryk låseknappen (3) fremad ved hjælp af tommelfingeren og tryk samtidig på startknappen (2).
- ◆ Låseknappen løses.

### Sluk

- ◆ Slip knappen på det forreste håndtag (1) eller startknappen (2).



Man må aldrig forsøge at låse en knap på "on" position.

### Gode råd til optimalt brug

- ◆ Hæld værktøjet let (op til 15° i forhold til klippelinien) således at knivspidsen peger let imod hækken (fig. D1). Dette gør, at knivene klipper mere effektivt.
- ◆ Hold værktøjet i den ønskede vinkel og bevæg det roligt langs med klippelinien (fig. D2). De dobbeltsidede knive gør, at man kan klippe i begge retninger.
- ◆ For at opnå en meget lige hæk, kan man trække en tråd langs med hækken i den ønskede højde. Tråden (12) kan benyttes som en retningsssnor, og man bør skære lige over den (fig. D2).
- ◆ For at opnå flade sider, skal man klippe opad med væksten (fig. D3). Yngre grene stikker udad, når kniven føres nedad, hvilket medfører ulige mønstre i hækken.
- ◆ Man skal undgå fremmedlegemer. Specielt hårde genstande, som metalwire og stakitter, idet de kan skade knivene (fig. D4).
- ◆ Smør knivene regelmæssigt.
- ◆ Man bør overveje at købe et ekstra batteri, for at forlænge værktøjets driftstid. Batteriets katalognummer kan ses i den tekniske tabel nedenfor.

### VEDLIGEHOOLDELSE

Deres Black & Decker værktøj er designet til at være i drift gennem en længere periode med en minimal vedligeholdelse. Fortsat tilfredsstillende drift afhænger af en korrekt behandling af værktøjet samt regelmæssig rengøring. Laderen kræver ingen anden vedligeholdelse end regelmæssig rengøring.



- ◆ Før udførelse af vedligeholdelsesopgaver på værktøjet, skal batteriet fjernes.
- ◆ Tag laderen ud af stikkontakten før den rengøres.

- ◆ Efter brug skal knivene rengøres grundigt. Efter rengøring skal knivene smøres med maskinolie for at undgå, at de rustner.
- ◆ Man skal regelmæssigt rengøre værktøjets ventilationshuller og lader med en blød børste eller en tør klud.
- ◆ Man skal regelmæssigt rengøre motorkassen med en fugtig klud. Man må ikke benytte slibemidler eller opløsningsmidler.

### Miljø

#### Værktøj



Når dit værktøj er slidt op, beskyt da naturen ved ikke at kaste det bort sammen med almindeligt affald. Aflever det til et opsamlingssted i din kommune eller til et Black & Decker serviceværksted.

### Batterier



Black & Decker batterier kan oplades mange gange. Ved endt teknisk levetid skal man kassere dem med omtanke for miljøet:

- ◆ <sup>Cd</sup> Afled batteriet fuldstændigt, og fjern det derefter fra værktøjet.
- ◆ NiCd og NiMH batterier kan genbruges. Bring dem til Deres forhandler eller en lokal genbrugscentral. Indsamlede batterier vil blive genbrugt eller kasseret på korrekt vis.

### Tekniske data

		GTC410	GTC510
Spænding	V <sub>DC</sub>	12	14,4
Knivslag			
(uden belastning)	min <sup>-1</sup>	1.200	1.200
Knivlængde	cm	43	51
Knivafstand	mm	12	12
Bremsetid	s	< 0,5	< 0,5
Kat. nr. batteri		A9275	A9276
Vægt (uden batteri)	kg	1,95	2,05



## DANSK

Batteri		A9275	A9276
Spænding	V <sub>DC</sub>	12	14,4
Kapacitet	Ah	1,25	1,5
Vægt	kg	0,6	0,7

Lader			
Spænding (lysnat)	V <sub>AC</sub>	230	230
Opladningstid (ca.)	h	3	1
Vægt	kg	0,4	1,2

### GARANTI

Black & Decker yder garanti i henhold til specifikke garantivilkår som til enhver tid kan fås hos Black & Decker Danmark.

Disse indebærer bl.a.: Black & Decker garanterer at værktøjet er frit for materiale- eller fabriktionsfejl ved leveringen. Garantien gælder 24 måneder fra leveringen. Black & Decker påtager sig omkostningsfrit at reparere eller udskifte værktøjet, efter eget valg.

- ◆ For at kunne påberåbe sig, at en fejl omfattes af garantien skal køberen underrette nærmeste autoriserede Black & Decker værksted om fejlen inden fjorten dage efter at fejlen er konstateret.
- ◆ Køberen skal kunne fremvise kvittering, faktura eller anden form for indkøbsbevis, som viser hvor og hvornår værktøjet er indkøbt.
- ◆ Køberen er pligtig til, for egne omkostninger at indlevere værktøjet samlet, til et autoriseret værksted eller der hvor værktøjet er købt.

Vedrørende almindeligt forbrugerkøb gælder desuden den del af forbrugerkøbeloven som regulerer forholdet mellem forhandler og køber.

### EFTERSALGS-SERVICE

De kan finde detaljer om vor eftersalgs-service på Internettet på følgende adresse:

**www.2helpU.com**. Alternativt kan De kontakte vores service- og informationscentre på adressen, som står bagest i denne brugervejledning.

Skulle der opstå fejl på værktøjet, skal det indleveres til et autoriseret værksted eller der hvor værktøjet er købt. Se katalog for yderligere information eller kontakt Black & Decker Danmark.

På grund af forskning og udvikling kan ovenstående specifikationer ændres, hvilket ikke meddeles separat.

### ANDET HAVEVÆRKTØJ

Black & Decker har et stort sortiment af haveværktøj, som gør havearbejdet let. Hvis De ønsker yderligere information omkring vore produkter, bedes De sætte dem i kontakt med vore Service- og informationscentre (se adressesiden sidst i denne brugervejledning), eller sæt dem i forbindelse med deres lokale Black & Decker forhandler.

Græstrimmere  
Kædesave  
Hækkeklippere  
Beskærersakse  
Plæneklippere  
Løvsugere  
Kompostkværne

Ikke alle produkter findes på markedet i alle lande.

SUOMI

# AKKUKÄYTTÖINEN PENSASLEIKKURI GTC410/GTC510

Kiitos, että olet valinnut Black & Decker koneen. Toivomme, että nautit koneen käytöstä monen vuoden ajan.

## CE- VAATIMUSTENMUKAISUUSVAKUUTUS



GTC410/GTC510

Black & Decker vakuuttaa, että nämä työkalut ovat 98/37/EC, 89/336/EEC, 73/23/EEC, EN 50260, EN 55014, EN 61000, EN 60335 mukaiset.

Melutaso, mitattu EN 50260:n mukaisesti:

		GTC410	GTC510
L <sub>pA</sub> (äänenpaine)	dB(A)	80	80
L <sub>WA</sub> (ääniteho)	dB(A)	93	93



Käytä kuulosuojaimia, jos melutaso ylittää 85 dB(A).

Tärinätaajuuden painotettu geometrinen keskiarvo EN 50260 mukaisesti:

	GTC410	GTC510
	< 2,5 m/s <sup>2</sup>	< 2,5 m/s <sup>2</sup>

*Bowe*

Brian Cooke  
Director of Engineering  
Spennymoor, County Durham DL16 6JG,  
United Kingdom

## KÄYTTÖTARKOITUS

Black & Deckerin pensasleikkuri GTC410/GTC510 on suunniteltu pensaiden leikkaamiseen. Kone on tarkoitettu kotikäyttöön. Black & Deckerin laturi on suunniteltu tämän työkalun mukana toimitetun Black & Decker -akun lataamiseen.

## TURVALLISUUSOHJEET

### Merkit

Tässä käyttöohjeessa käytetään seuraavia merkkejä:



Osoittaa henkilövahingon, hengenmenetyksen tai konevaurion vaaraa, mikäli käyttöohjeen neuvoja ei noudateta.



Osoittaa sähköiskun vaaraa.



Lue käyttöohje huolellisesti ennen koneen käyttöönottoa.



Tulenvaara.

### Tutustu koneeseen



- Lue käyttöohje huolellisesti ennen koneen käyttöönottoa.
- Sähköiskujen, loukkaantumisten ja tulipalon ehkäisemiseksi on noudatettava seuraavia perusturvallisuustoimenpiteitä.
- Varmista, että osat sammuttaa koneen, ennen kuin käynnistät sen.
- Säilytä käyttöohje kaikkien koneen käyttäjien ulottuvilla.



**Yleistä****1. Ajattele työskentelyalueen vaikutusta työhösi**

Älä altista konetta sateelle äläkä käytä sitä kosteissa tai märissä paikoissa. Järjestä työskentelyalueelle hyvä valaistus. Älä käytä konetta paikassa, jossa on tulipalo- tai räjähdysvaara, esim. palavien nesteiden tai kaasujen läheisyydessä. Pidä työskentelyalue puhtaana.

**2. Työskentele lasten ulottumattomissa**

Älä anna lasten, vieraiden tai eläinten tulla lähelle työskentelyaluetta tai koskea koneeseen.

**3. Säilytä työkalua oikein**

Kun kone ei ole käytössä, tulee sen ja akun olla varastoituna kuivaan paikkaan lasten ulottumattomissa.

**4. Pukeudu asianmukaisesti**

Älä käytä väljiä vaatteita tai koruja. Ne voivat tarttua liikkuviin osiin. Käytä ulkona työskennellessäsi kumihansikkaita ja liukumattomia kenkiä. Jos sinulla on pitkät hiukset, käytä hiuserkkoa.

**5. Suojavaatetus**

Käytä suojalaseja tai kasvosuojaa, jos työskennellessä syntyy pölyä tai hiukkasia. Käytä kuulosuojaimia, jos melutaso tuntuu epämuikavalta.

**6. Älä kurottele**

Seiso aina tukevasti ja tasapainossa.

**7. Ole tarkkaavainen**

Keskity työhösi. Käytä tervettä järkeä. Älä käytä sähkötyökalua, kun olet väsynyt.

**8. Käytä oikeaa työkalua**

Käytä työkalua ainoastaan sellaiseen työhön, johon se on tarkoitettu. Käytä vain käyttöohjeessa ja tuotekuvastossa suositeltuja tarvikkeita ja lisälaitteita. Jonkin muun laitteen käyttö voi aiheuttaa onnettomuuden. Älä ylikuormita konetta.

**9. Hoida työkalua huolellisesti**

Pidä työkalu puhtaana ja käytä teräviä teriä tehokasta ja turvallista työskentelyä varten. Noudata huollosta ja tarvikkeiden vaihdosta annettuja ohjeita. Pidä virrankatkaisija ja kädensijat kuivina ja puhtaina öljystä ja rasvasta.

**10. Tarkista, että työkalu on kunnossa**

Tarkista, että liikkuvat osat toimivat moitteettomasti ja että kaikki osat ovat kunnossa ja oikein asennetut. Tarkista myös, että kaikki muut käyttöön mahdollisesti vaikuttavat tekijät ovat kunnossa. Viallinen osa tulee korjata tai vaihtaa valtuutetussa Black & Deckerin huoltoliikkeessä. Älä käytä konetta, jos jokin sen osista on viallinen. Älä koskaan yritä korjata konetta itse.

**11. Poista akku**

Poista akku, kun konetta ei käytetä, ennen minkään koneen osan, tarvikkeen tai lisävarusteen vaihtamista, sekä ennen huoltoa.

**12. Vältä koneen tahatonta käynnistämistä**

Älä kanna konetta sormet kiinni virrankatkaisijassa.

**13. Huolehdi johdon kunnosta**

Älä koskaan kanna laturia johdosta äläkä irrota pistoketta virtalähteestä vetämällä johdosta. Suojaa johto kuumuudelta, öljyltä ja teräviltä reunoilta.

**Lisäturvaohjeet akuille ja laturille****Akut**

- ♦ Älä koskaan yritä avata akkua.
- ♦ Älä altista akkua vedelle.
- ♦ Älä säilytä akkua paikassa, jonka lämpötila ylittää +40 °C.
- ♦ Lataa akku ainoastaan lämpötilan ollessa +4 °C - +40 °C.
- ♦ Lataa akku käyttäen ainoastaan koneen mukana toimitettua laturia (ks. tekniset tiedot)
- ♦ Ennen lataamista varmista, että akku on kuiva ja puhdas.
- ♦ Käytä koneessa ainoastaan siihen tarkoitettua akkua (ks. tekniset tiedot).
- ♦ Kun poistat akun käytöstä, noudata kappaleessa "Ympäristö" annettuja ohjeita.
- ♦ Äärimmäisissä olosuhteissa akku saattaa vuotaa. Kun havaitset akusta tulevan nestettä, toimi seuraavasti:
  - Kuivaa neste varovasti pois rievulla. Vältä nesteen osumista iholle.
  - Mikäli nestettä osuu iholle tai silmiin, noudata alla olevia ohjeita:



## SUOMI



Akkuneste (25-30 % kaliumhydroksidiliuosta) saattaa olla haitallista. Jos akkunestettä pääsee iholle, huuhto se välittömästi vedellä. Neutralisoi akkuneste esim. etikalla tai sitruunamehulla. Jos akkunestettä joutuu silmiin, huuhto silmiä runsaalla vedellä vähintään 10 minuuttia, ja ota heti yhteys lääkäriin.



Palovaara! Vältä, ettei irrotetun akun kontaktit mene oikosulkuun metallin kanssa (esim. säilytettäessä akkua työkalupakissa).



Älä polta akkuja.



Älä koskaan käytä viallisia akkuja.

### Laturi

- ♦ Käytä Black & Decker-laturia ainoastaan koneen mukana toimitetun akun lataamiseen. Muunlaiset akut saattavat räjähtää aiheuttaen henkilö- ja esinevahinkoja.
- ♦ Älä koskaan yritä ladata ei-ladattavia akkuja.
- ♦ Vaihda vialliset johdot välittömästi.
- ♦ Älä altista laturia vedelle.
- ♦ Älä avaa laturia.
- ♦ Älä vahingoita laturia.



Tarkoitettu vain sisäkäyttöön.

### Lisäturvaohjeet pensasleikkureille



Käytä suojalaseja konetta käyttäessäsi.



Käytä kuulosuojaimia konetta käyttäessäsi.



Käytä työhanskaita konetta käyttäessäsi.



Älä altista konetta sateelle tai kosteudelle.

- ♦ Älä kanno konetta kädet etumaisella turvavirrankatkaisijalla tai virrankatkaisijalla, ellei akkua ole poistettu.
- ♦ Ellet ole käyttänyt pensasleikkuria aikaisemmin suosittelemme, että pyydät käytännön neuvoja tottuneelta käyttäjältä sekä luet käyttöohjeen tarkasti.
- ♦ Älä koskaan kosketa terää silloin kun kone on käynnissä.
- ♦ Älä koskaan pakota teriä pysähtymään.
- ♦ Älä aseta konetta maahan ennen kuin terä on täysin pysähtynyt.
- ♦ Älä käytä konetta, mikäli terät ovat kuluneet tai vialliset.
- ♦ Varo kovia esineitä (esim. metallilankaa, kaiteita) leikatessasi. Mikäli vahingossa osut tällaiseen esineeseen, pysäytä kone välittömästi ja tarkista mahdolliset vahingot.
- ♦ Mikäli kone alkaa täristä epätavallisesti, pysäytä se välittömästi ja tarkista mahdolliset vahingot.
- ♦ Mikäli kone jumiutuu, pysäytä se välittömästi. Poista akku ennen kuin yrität poistaa tukkeutumia.
- ♦ Käytön jälkeen aseta koneeseen kuuluva teränsuojus paikoilleen.
- ♦ Varmista aina, että kaikki suojat ovat paikallaan konetta käytettäessä. Älä koskaan käytä konetta, jonka kaikki osat eivät ole oikein paikallaan tai johon on tehty muutoksia jonkun muun kuin valtuutetun huolto liikkeen toimesta.
- ♦ Älä koskaan anna lasten käyttää konetta.

### SÄHKÖINEN TURVALLISUUS

Tarkista, että laturin jännite vastaa verkon jännitettä.



Laturisi on kaksoeristetty EN 60335:n mukaisesti; siksi ei tarvita erillistä maadoitusta.

### PAKKAUKSEN SISÄLTÖ

Pakkaus sisältää:

- 1 Akkukäyttöinen pensasleikkuri
- 1 Akku
- 1 Laturi
- 1 Teränsuojus
- 1 Käyttöohje

- ♦ Pura kaikki osat pakkauksesta varovaisesti.



## SUOMI

### YLEISKUVAUS (kuva A)

1. Etumainen turvavirrankatkaisija
2. Virrankatkaisija
3. Lukitusnappi
4. Ilma-aukot
5. Käden suoja
6. Akku
7. Akun vapautusnapit
8. Laturi
9. Latausvalo - lataus käynnissä
10. Latausvalo - akku täynnä
11. Teränsuojus

### KOKOAMINEN



Poista akku koneesta aina ennen kokoamista.

### Akun kiinnittäminen ja poistaminen (kuva B)

- ◆ Laita akku (6) paikalleen työntämällä se sille kuuluvaan aukkoon koneessa, kunnes se on napsahtaa paikalleen.
- ◆ Poista akku painamalla kahta vapautusnappia (7) samanaikaisesti, kun vedät akun pois.

### KÄYTTÖ



Anna koneen käydä omaan tahtiinsa. Älä ylikuormita sitä.

### Akun lataaminen (kuva A)

Akku tulee ladata ennen ensimmäistä käyttökertaa ja aina silloin, kun se ei enää tuota riittävästi virtaa toimintoihin, jotka aikaisemmin hoituivat helposti. Ladatessasi akkua ensimmäistä kertaa tai pitkäaikaisen säilytyksen jälkeen, latautuu se vain 80 %:sesti. Usean lataamis- ja tyhjentymiskerran jälkeen akku saavuttaa täyden kapasiteettinsa. Akku voi lämmetä ladattaessa; tämä on normaalia eikä ole merkinä minkäänlaisesta ongelmasta.



Älä lataa akkua alle +4 °C tai yli +40 °C asteen lämpötiloissa. Suositeltu lämpötila lataamiseen on noin +24 °C.

- ◆ Akun (6) lataamiseksi poista se koneesta ja aseta se laturiin (8). Akku sopii laturiin vain yhdessä asennossa. Älä laita sitä laturiin väkisin. Varmista, että akku on kunnolla laturissa.
- ◆ Liitä laturi virtalähteeseen.

### 3 tunnin laturi

Akku on latautunut täyteen noin 3 tunnissa.

Se voidaan poistaa koska tahansa tai jättää laturiin määräämättömäksi ajaksi.

### 1 tunnin laturi

- ◆ Tarkista, että punainen latausvalo (9) palaa. Mikäli punaisen sijasta palaa vihreä latausvalo (10), on akku liian kuuma, eikä sitä voi ladata. Jos näin tapahtuu, poista akku laturista ja anna sen jäähtyä noin 1 tunnin ajan ja aseta se sitten laturiin uudelleen.

Noin 1 tunnin lataamisen jälkeen punainen latausvalo (9) sammuu ja vihreä latausvalo (10) syttyy. Akku on nyt latautunut täyteen.

- ◆ Poista akku laturista.

### Käynnistys ja pysäytys (kuva C)

Turvallisuussyistä koneessa on kaksoisvirrankatkaisija. Tällä tavoin estetään koneen käynnistyminen vahingossa, ja sitä voidaan käyttää vain pitämällä kiinni molemmin käsin.

### Käynnistys

- ◆ Paina sisäänpäin etumaista turvavirrankatkaisijaa (1).
- ◆ Työnnä lukitusnappia (3) eteenpäin peukalolla ja paina samanaikaisesti virrankatkaisijaa (2).
- ◆ Vapauta lukitusnappi.

### Pysäytys

- ◆ Päästä irti etumaisesta turvavirrankatkaisijasta (1) tai virrankatkaisijasta (2).



Älä koskaan yritä lukita virrankatkaisijaa päällä-asentoon.

### Parhaimman tuloksen saamiseksi

- ◆ Kallista konetta hiukan (n. 15° kohti leikkauslinjaa) niin, että terän kärjet osoittavat pensasta kohden (kuva D1). Tällä tavoin terät leikkaavat tehokkaammin.



## SUOMI

- ◆ Pidä konetta halutussa kulmassa ja liikuta sitä rauhallisesti ja tasaisesti leikkauslinjaa pitkin (kuva D2). Kaksipuoleisesti leikkaavat terät sallivat leikkaamisen molempiin suuntiin.
- ◆ Jotta leikkausjälki olisi mahdollisimman suora, voidaan pingottaa naru aidan koko pituudelle halutulle korkeudelle. Käytä naru (12) viitelinjana ja leikkaa juuri sen yläpuolelta (kuva D2).
- ◆ Jotta sivuista tulisi tasaisia, leikkaa alhaalta ylöspäin siihen suuntaan, mihin pensas kasvaa (kuva D3). Nuoret oksat kallistuvat ulospäin, jos leikataan alenevaan suuntaan. Tämä aiheuttaa aukkoja pensasaitaan.
- ◆ Yritä välttää kaikkia asiaankuulumattomia esineitä. Vältä erityisesti kovia esineitä, kuten metallilankaa tai aitoja; nämä voivat vahingoittaa teriä (kuva D4).
- ◆ Voitele terät säännöllisesti.
- ◆ Harkitse vara-akun hankkimista lisätäkseen koneen käyttöaika. Akun tuotenumero löytyy alla olevasta taulukosta "Tekniset tiedot".

### KONEEN HOITO

Black & Deckerin kone on suunniteltu toimimaan mahdollisimman pitkän aikaa mahdollisimman vähällä huollolla. Oikealla huollolla ja säännöllisellä puhdistuksella kone säilyttää suorituskykynsä. Laturi ei tarvitse säännöllisen puhdistamisen lisäksi minkään muunlaista huoltoa.



- ◆ Poista akku ennen työkalun huoltamista.
- ◆ Irrota laturi virtalähteestä ennen puhdistamista.
- ◆ Puhdista terät hyvin joka käyttökerran jälkeen. Puhdistuksen jälkeen levitä ohut kerros voiteluöljyä terille ruostumisen estämiseksi.
- ◆ Puhdista laturi ja koneen ilma-aukot säännöllisesti pehmeällä harjalla tai kuivalla rievulla.
- ◆ Puhdista koneen kuori säännöllisesti kostealla rievulla. Älä koskaan käytä puhdistamiseen liuotainaineita tai syövyttäviä puhdistusaineita.

### Ympäristö

#### Kone



Kun koneesi on käytetty loppuun, älä heitä sitä tavallisten roskien mukana pois,

vaan vie se paikkakuntasi kierrätyskeskukseen tai jätä valtuutettuun Black & Deckerin huoltopisteeseen.

#### Akut



Black & Deckerin akut voidaan ladata useaan kertaan. Vie loppuunkäytetyt akut niille tarkoitettuun keräyspaikkaan tai -astiaan.

- ◆ Käytä akku täysin loppuun ja poista se sitten työkalusta.
- ◆ NiCd ja NiMH akut ovat kierrätettäviä. Voit viedä ne ostopaikkaan tai paikalliseen kierrätyskeskukseen. Kerätyt akut toimitetaan kierrätykseen tai käsitellään asianmukaisesti.

#### Tekniset tiedot

		GTC410	GTC510
Jännite	V <sub>DC</sub>	12	14,4
Leikkuuliike			
(kuormittamaton)	min <sup>-1</sup>	1.200	1.200
Terän pituus	cm	43	51
Hammasväli	mm	12	12
Terän pysähdysaika	s	< 0,5	< 0,5
Akun tuotenumero		A9275	A9276
Paino (ilman akkua)	kg	1,95	2,05

Akku		A9275	A9276
Jännite	V <sub>DC</sub>	12	14,4
Teho	Ah	1,25	1,5
Paino	kg	0,6	0,7

#### Laturi

Jännite	V <sub>AC</sub>	230	230
Latausaika (noin)	h	3	1
Paino	kg	0,4	1,2

### TAKUU

Black & Decker Oy takaa, ettei laitteessa ollut materiaali- tai valmistusvikaa silloin, kun laite toimitettiin ostajalle.

- ◆ Takuu ei kata ostajan tavallisesti hoitamia asennus- tai säätötoimenpiteitä, laitteen tavanomaisesta käytöstä johtuvaa kulumista tai muutosta, normaalia huoltoa tai käyttöohjeiden vastaisesta laitteen hoidosta tai käytöstä, laitteen hoitamatta jättämisestä, ylikuormituksesta, tavanomaista



## SUOMI

intensiivisemmästä käytöstä tai muusta epätavallisesta käyttämisestä, uudelleen rakentamisesta, muuttamisesta tai muusta asiattomasta toimenpiteestä taikka muusta sellaisesta ostajan toimenpiteestä johtuvaa virhettä.

- ◆ Edellytyksenä takuuetujen saamiselle on, että ostaja ilmoittaa virheestä lähimmälle Black & Decker Oy:n valtuuttamalle huoltoliikkeelle 14 päivän kuluessa virheen ilmenemisestä tai siitä, kun ostajan olisi pitänyt huomata laitteessa olevan virheen.
- ◆ Ostajan on tällöin esitettävä laitteen ostojankohtaa ja -paikkaa osoittava kuitti, lasku tai muu ostotodistus.
- ◆ Ostaja on velvollinen omalla kustannuksellaan toimittamaan laite purkamattomana sanottuun korjaamoon.

Kulutuskaupan osalta noudatetaan lisäksi jälleenmyyjän ja kuluttajan välillä kuluttajasuojalain säännöksiä.

### **Ohjeet vian sattuessa**

Toimita kone mahdollisimman pian Black & Deckerin valtuuttamaan huoltoliikkeeseen. Mikäli laitteessasi on vielä takuu voimassa (24kk ostopäivästä), toimita ostokuitti tai takuutodistus koneen mukana huoltoon.

- ◆ Black & Decker Oy vastaa siitä, että laite, jossa on takuun kattama virhe korjataan ilman kustannuksia ostajalle tai vaihdetaan uuteen laitteeseen Black & Decker Oy:n valinnan mukaan.
- ◆ Laitteen korjauksen tai vaihtoehtoisesti vaihdon lisäksi Black & Decker Oy:llä ei ole muuta laitteeseen liittyvää vastuuta lukuunottamatta vastuuta tahallisesti tai törkeästi huolimattomuudesta aiheutetusta vahingosta. Black & Decker Oy ei kuitenkaan missään olosuhteissa vastaa seurannais- tai välillisistä vahingoista.

Mikäli kulloinkin voimassa olevan lain tai vallitsevan oikeuskäytännön nojalla katsottaisiin, että Black & Decker Oy:n vastuu olisi näissä takuuehdoissa tarkoitettua laajempi, on näihin takuuehtoihin sisältyvät vastuunrajoitukset lain tai oikeuskäytännön sallimissa rajoissa kuitenkin otettava huomioon mahdollista korvausvelvollisuutta tai korvauksen määrää rajoittavina ehtoina.

### **HUOLTO**

Mikäli koneeseen tulee vikaa, jätä se aina Black & Deckerin valtuuttamaan huoltoliikkeeseen korjattavaksi (tietoja saat uusimmasta tuoteluettelostamme/hinnastostamme tai ottamalla yhteyttä Black & Decker Oy:hyn). Täydelliset huoltotiedot löydät internetistä osoitteesta [www.2helpU.com](http://www.2helpU.com) tai kotisivuiltamme [www.blackdecker.fi](http://www.blackdecker.fi). Tiedot huolloista löytyvät myös käyttöohjeen lopusta.

Jatkuvan tuotekehittelyn seurauksena nämä tiedot saattavat muuttua. Niistä emme ilmoita erikseen.

### **MUITA PUUTARHATYÖKALUJA**

Black & Deckerillä on laaja valikoima puutarhakoneita, jotka tekevät puutarhan hoidon helpoksi. Lisätietoja alla olevista tuotteista saat Black & Deckerin jälleenmyyjältä tai kotisivuiltamme [www.blackdecker.fi](http://www.blackdecker.fi).

Sammaleenpoistajat  
Pensasleikkurit  
Ketjusahat  
Puutarhanpuhdistaja  
Nurmikonviimeistelijät  
Ruohonleikkurit  
Oksasilppurit

ΕΛΛΗΝΙΚΑ

## ΕΠΑΝΑΦΟΡΤΙΖΟΜΕΝΟ ΚΛΑΔΕΥΤΗΡΙ ΘΑΜΝΩΝ GTC410/GTC510

### ΣΥΓΧΑΡΗΤΗΡΙΑ!

Εχετε επιλέξει ένα εργαλείο της Black & Decker. Στόχος μας είναι να σας προσφέρουμε εργαλεία ποιότητας σε προσιτές τιμές. Ευελπιστούμε ότι θα απολαύσετε τη χρήση αυτού του εργαλείου για πολλά χρόνια.

### ΔΗΛΩΣΗ ΣΥΜΜΟΡΦΩΣΗΣ ΕΚ



GTC410/GTC510

Black & Decker δηλώνει ότι αυτά τα ηλεκτρικά εργαλεία σχεδιάστηκαν σύμφωνα με: 98/37ΕΟΚ, 89/336ΕΟΚ, 73/23ΕΟΚ, EN 50260, EN 55014, EN 61000, EN 60335

Ανώτατο όριο ηχητικής πίεσης, μέτρηση κατά EN 50260:

		GTC410	GTC510
$L_{pA}$ (ηχητική πίεση)	dB(A)	80	80
$L_{WA}$ (ακουστική δύναμη)	dB(A)	93	93



Λάβετε τα ενδεδειγμένα μέτρα προστασίας σε περίπτωση που η ακουστική πίεση υπερβαίνει τα 85 dB(A).

Ο σταθμισμένος τετραγωνικός μέσος όρος επιτάχυνσης κατά EN 50260:

	GTC410	GTC510
	< 2,5 m/s <sup>2</sup>	< 2,5 m/s <sup>2</sup>

*Bowie*

Brian Cooke  
Διευθυντής μηχανολογίας  
Spennymoor, County Durham DL16 6JG,  
United Kingdom

### ΣΚΟΠΟΥΜΕΝΗ ΧΡΗΣΗ

Το κλαδευτήρι θάμνων GTC410/GTC510 της Black & Decker έχει σχεδιαστεί για το κλάδεμα φρακτών, θάμνων και βάτων. Αυτό το εργαλείο για τον κήπο προορίζεται μόνο για ερασιτεχνική χρήση. Ο φορτιστής σας της Black & Decker έχει σχεδιαστεί για να φορτίζει μπαταρίες Black & Decker του τύπου που παρέχονται με αυτό το εργαλείο.

### ΟΔΗΓΙΕΣ ΑΣΦΑΛΕΙΑΣ

#### Σύμβολα ασφαλείας

Στις παρούσες οδηγίες χρησιμοποιούνται τα ακόλουθα σύμβολα:



Συμβολίζει κίνδυνο τραυματισμού ή θανάτου ή βλάβης του εργαλείου σε περίπτωση που δεν τηρηθούν οι οδηγίες χρήσεως.



Συμβολίζει ηλεκτρική τάση.



Πριν χρησιμοποιήσετε το εργαλείο διαβάστε το παρόν εγχειρίδιο προσεκτικά.



Κίνδυνος πυρκαγιάς.

#### Γνωρίζετε το εργαλείο



- ♦ **Προσοχή!** Όταν χρησιμοποιείτε ηλεκτρικά εργαλεία πρέπει να λαμβάνετε πάντοτε υπόψη τους κανόνες ασφαλείας που ισχύουν στη χώρα σας προκειμένου να αποφευχθεί ο κίνδυνος πυρκαγιάς, ηλεκτροπληξίας και τραυματισμού.
- ♦ Πριν χρησιμοποιήσετε το εργαλείο διαβάστε προσεκτικά τις παρακάτω οδηγίες.



## ΕΛΛΗΝΙΚΑ

- ♦ Πριν χρησιμοποιήσετε το εργαλείο αυτό, βεβαιωθείτε ότι γνωρίζετε πώς να σβήσετε το εργαλείο σε περίπτωση έκτακτης ανάγκης.
- ♦ Φυλάξτε τις οδηγίες καλά.

### Γενικά

#### 1. Λάβετε υπ' όψη τις επιδράσεις του περιβάλλοντος

Μην αφήνετε το εργαλείο εκτεθειμένο στη βροχή. Μη χρησιμοποιείτε το εργαλείο σε υγρό περιβάλλον ή σε παρουσία νερού. Φροντίστε η περιοχή εργασίας να είναι καλά φωτισμένη.

Μη χρησιμοποιείτε το εργαλείο αν υπάρχει κίνδυνος να προκληθεί πυρκαγιά ή έκρηξη, π.χ. κοντά σε εύφλεκτα υγρά και αέρια. Φροντίστε στο χώρο εργασίας να μην υπάρχουν υπολείμματα και εμπόδια.

#### 2. Κρατάτε τα παιδιά σε απόσταση

Μην επιτρέπετε σε παιδιά, επισκέπτες ή ζώα να πλησιάζουν στο χώρο εργασίας ή να αγγίζουν το εργαλείο.

#### 3. Φυλάγεται τα εργαλεία σας σε ασφαλές μέρος

Όταν δεν χρησιμοποιούνται, τα εργαλεία και οι μπαταρίες πρέπει να αποθηκεύονται σε ξηρό χώρο, μακριά από τα παιδιά.

#### 4. Φοράτε τα κατάλληλα ρούχα εργασίας

Μη φοράτε φαρδιά ρούχα ή κοσμήματα. Υπάρχει πιθανότητα να πιαστούν σε κινούμενα μέρη μηχανών.

Για υπαίθριες εργασίες συνιστώνται λαστιχένια γάντια και υποδήματα που δε γλιστρούν. Εάν έχετε μακριά μαλλιά φοράτε προστατευτικό διχτάκι.

#### 5. Ατομική προστασία

Φορέστε προστατευτικά γυαλιά και μάσκα προσώπου ή προστασίας από τη σκόνη, στις περιπτώσεις που η εργασία ενδέχεται να προκαλέσει την παραγωγή σκόνης ή αιωρούμενων σωματιδίων. Φοράτε ωτασπίδες σε περιπτώσεις που η στάθμη του θορύβου σας προκαλεί δυσφορία.

#### 6. Μη σκύβετε πάρα πολύ

Φροντίστε πάντοτε να έχετε την κατάλληλη στάση και να διατηρείτε την ισορροπία σας.

#### 7. Να είστε πάντα προσεκτικοί

Παρακολουθείτε την εργασία σας. Ενεργείτε λογικά. Μη χρησιμοποιείτε το εργαλείο όταν είστε κουρασμένος.

#### 8. Χρησιμοποιείτε το σωστό εργαλείο

Η ενδεδειγμένη χρησιμοποίηση αναφέρεται σε αυτές τις οδηγίες χρήσεως. Μη χρησιμοποιείτε εργαλεία χαμηλής ισχύος ή προσθήκες για βαριές εργασίες. Το εργαλείο σας θα λειτουργήσει επιτυχέστερα και ασφαλέστερα εάν χρησιμοποιηθεί σύμφωνα με της προδιαγραφές του. Τόσο η χρήση εξαρτημάτων ή προσθηκών όσο και η πραγματοποίηση εργασιών που δεν συνιστώνται στις οδηγίες αυτές εγκυμονεί κίνδυνο τραυματισμού. Μη ζορίζετε το εργαλείο.

#### 9. Συντηρήστε προσεκτικά τα εργαλεία

Φροντίστε τα εργαλεία σας να είναι κοφτερά και καθαρά, ώστε να προσφέρουν υψηλή απόδοση και ασφάλεια κατά τη χρήση τους. Ακολουθήστε τις σχετικές οδηγίες σε ότι αφορά τη συντήρηση και την αλλαγή των εξαρτημάτων. Φροντίστε οι λαβές και οι διακόπτες να είναι στεγνοί, καθαροί και χωρίς λάδια ή γράσα.

#### 10. Ελέγχετε εάν το εργαλείο σας έχει θλάβες

Πριν χρησιμοποιήσετε το εργαλείο, ελέγξτε το προσεκτικά για ενδεχόμενες βλάβες για να βεβαιωθείτε ότι θα λειτουργήσει όπως πρέπει. Ελέγξτε εάν τα κινητά μέρη είναι σωστά συνδεδεμένα και ευθυγραμμισμένα, εάν δεν έχουν σπάσει κομμάτια, εάν είναι σωστά συναρμολογημένα και εάν πληρούνται όλες οι συνθήκες για τη σωστή λειτουργία του εργαλείου. Φροντίστε για την επισκευή ή αντικατάσταση τυχόν ελαττωματικών εξαρτημάτων από εξουσιοδοτημένο κέντρο επισκευών. Μη χρησιμοποιείτε το εργαλείο αν κάποιο εξάρτημά του παρουσιάζει ελάττωμα. Ποτέ μην επιχειρήσετε να επισκευάσετε οι ίδιοι το εργαλείο.

#### 11. Αφαιρέστε τη μπαταρία

Αφαιρέστε τη μπαταρία όταν το εργαλείο δεν χρησιμοποιείται, προτού αλλάξετε οποιοδήποτε ανταλλακτικό, παρελκόμενο ή εξάρτημα του εργαλείου, και πριν από τη συντήρησή του.



## ΕΛΛΗΝΙΚΑ

### 12. Αποφύγετε την τυχαία εκκίνηση του εργαλείου

Μη μεταφέρετε το εργαλείο έχοντας το δάκτυλό σας πάνω στο διακόπτη εκκίνησης.

### 13. Μην κακομεταχειρίζεστε το καλώδιο

Ποτέ μη μεταφέρετε το φορτιστή κρατώντας τον από το καλώδιο και μην τον τραβάτε από το καλώδιο για να το βγάλετε από την πρίζα. Φροντίστε το καλώδιο να παραμένει μακριά από τη θερμότητα, τα λάδια και από αιχμηρές ακμές.

### Επιπρόσθετες οδηγίες ασφαλείας για μπαταρίες και φορτιστές

#### Μπαταρίες

- ♦ Μην επιχειρήσετε ποτέ να την ανοίξετε, για κανένα λόγο.
- ♦ Μην την εκθέτετε σε νερό.
- ♦ Μην την αποθηκεύετε σε χώρους όπου η θερμοκρασία μπορεί να υπερβεί τους 40 °C.
- ♦ Να τη φορτίζετε μόνο σε θερμοκρασία περιβάλλοντος μεταξύ 4 °C και 40 °C.
- ♦ Η φόρτιση πρέπει να γίνεται μόνο με το φορτιστή που συμπεριλαμβάνεται με το εργαλείο (βλ. τεχνικά χαρακτηριστικά).
- ♦ Πριν από τη φόρτιση, βεβαιωθείτε ότι η μπαταρία είναι στεγνή και καθαρή.
- ♦ Χρησιμοποιήστε μόνο το σωστό για το εργαλείο τύπο μπαταρίας (βλ. τεχνικά χαρακτηριστικά).
- ♦ Σε ότι αφορά την απόρριψη των μπαταριών, ακολουθήστε τις οδηγίες που παρατίθενται στην ενότητα “Περιβάλλον”.
- ♦ Σε περίπτωση έκθεσης σε ακραίες συνθήκες, η μπαταρία ενδέχεται να παρουσιάσει διαρροή. Αν παρατηρήσετε υγρά στην μπαταρία, ενεργήστε ως ακολούθως:
  - Σκουπίστε προσεκτικά τα υγρά με ένα πανί. Αποφύγετε την επαφή με το δέρμα.
  - Σε περίπτωση επαφής με το δέρμα ή τα μάτια, ακολουθήστε τις παρακάτω οδηγίες.



Το υγρό μπαταριών, ένα διάλυμα 25-30% υδροξειδίου του καλίου, μπορεί να είναι βλαβερό. Σε περίπτωση δερματικής επαφής, ξεπλύνετε αμέσως με νερό. Εξουδετερώστε με ήπιο οξύ όπως χυμός λεμονιού ή ξίδι.

Σε περίπτωση επαφής με τα μάτια, ξεπλύνετε με άφθονο καθαρό νερό για 10 λεπτά τουλάχιστον. Συμβουλευτείτε γιατρό.



Κίνδυνος πυρκαϊάς! Αποφεύγετε βραχυκύκλωμα με μέταλλο των επαφών της μπαταρίας (π.χ. κλειδιά που είναι στην ίδια τσέπη με την μπαταρία).



Μη καίτε την μπαταρία.



Μην φορτίζετε κατεστραμμένες μπαταρίες.

#### Φορτιστές

- ♦ Χρησιμοποιήστε μόνο το φορτιστή της Black & Decker για τη φόρτιση μπαταριών του τύπου που συνοδεύει το εργαλείο σας. Σε άλλες μπαταρίες ενδέχεται να σημειωθεί διάρρηξή τους, προκαλώντας τραυματισμό και ζημιά.
- ♦ Μην επιχειρήσετε ποτέ να επαναφορτίσετε μη επαναφορτιζόμενες μπαταρίες.
- ♦ Αντικαταστήστε αμέσως τα ελαττωματικά καλώδια.
- ♦ Μην τον εκθέτετε σε νερό.
- ♦ Μην ανοίγετε το φορτιστή.
- ♦ Μην σκαλίζετε το φορτιστή.



Προορίζεται μόνο για χρήση σε κλειστούς χώρους.

#### Συμπληρωματικές οδηγίες ασφαλείας για κλαδευτήρια θάμνων



Κατά τη χρήση αυτού του εργαλείου, να φοράτε προστατευτικά γυαλιά.



Κατά τη χρήση αυτού του εργαλείου, να φοράτε ωτοασπίδες.



Κατά τη χρήση αυτού του εργαλείου, να φοράτε γάντια.







## ΕΛΛΗΝΙΚΑ



Μην αφήνετε το εργαλείο στη βροχή ή σε έντονη υγρασία.

- ♦ Μην μεταφέρετε το εργαλείο έχοντας τα δάχτυλά σας στη μπροσινή λαβή με διακόπτη ή στη σκανδάλη, εκτός κι αν έχετε αφαιρέσει τη μπαταρία.
- ♦ Αν είναι η πρώτη φορά που χρησιμοποιείτε κλαδευτήρι, εκτός από τη μελέτη του παρόντος εγχειριδίου, θα είναι καλό να ζητήσετε και τη βοήθεια κάποιου έμπειρου χρήστη.
- ♦ Ποτέ μην αγγίζετε τις λεπίδες, όταν το εργαλείο βρίσκεται σε λειτουργία.
- ♦ Ποτέ μην επιχειρήσετε να σταματήσετε εσείς τις λεπίδες.
- ♦ Μην ακουμπάτε το εργαλείο κάπου, παρά μόνον εφόσον οι λεπίδες έχουν σταματήσει τελείως.
- ♦ Μη χρησιμοποιείτε το εργαλείο όταν οι λεπίδες είναι φθαρμένες ή έχουν υποστεί ζημιές.
- ♦ Φροντίστε να αποφύγετε τα σκληρά αντικείμενα (π.χ. μεταλλικό σύρμα, κιγκλιδώματα) κατά το κλάδεμα. Αν, κατά λάθος, χτυπήσετε το εργαλείο σε παρόμοιο αντικείμενο, σβήστε αμέσως το εργαλείο και ελέγξτε αν έχει πάθει ζημιά.
- ♦ Αν το εργαλείο αρχίσει να παρουσιάζει ανώμαλες δονήσεις, σβήστε το αμέσως και ελέγξτε αν έχει πάθει ζημιά.
- ♦ Αν το εργαλείο μπλοκάρει, σβήστε το αμέσως. Αφαιρέστε τη μπαταρία πριν επιχειρήσετε να αφαιρέσετε τυχόν αντικείμενα που το φράζουν.
- ♦ Μετά τη χρήση, τοποθετήστε το παρεχόμενο κάλυμμα της λεπίδας επάνω από τις λεπίδες.
- ♦ Να βεβαιώνετε πάντα ότι είναι προσαρμοσμένοι όλοι οι προφυλακτήρες όταν χρησιμοποιείτε το εργαλείο. Ποτέ μην επιχειρείτε να χρησιμοποιήσετε ένα ημιτελές εργαλείο με μη εγκεκριμένες τροποποιήσεις.
- ♦ Ποτέ μην επιτρέπετε σε παιδιά να χρησιμοποιούν το εργαλείο.

### ΗΛΕΚΤΡΙΚΗ ΑΣΦΑΛΕΙΑ

Βεβαιωθείτε ότι η τάση του φορτιστή σας αντιστοιχεί με την τάση του δικτύου σας.



Ο φορτιστής σας φέρει διπλή μόνωση κατά EN 60335. Κατά συνέπεια δε χρειάζεται καλώδιο γείωσης.

### ΠΕΡΙΕΧΟΜΕΝΑ ΣΥΣΚΕΥΑΣΙΑΣ

Η συσκευασία περιέχει:

- 1 Επαναφορτιζόμενο κλαδευτήρι θάμνων
- 1 Μπαταρία
- 1 Φορτιστής
- 1 Κάλυμμα λεπίδας
- 1 Οδηγίες χρήσης

- ♦ Αφαιρέστε προσεκτικά από τη συσκευασία όλα τα κομμάτια.

### ΓΕΝΙΚΗ ΠΕΡΙΓΡΑΦΗ (εικ. Α)

1. Μπροσινή λαβή με διακόπτη
2. Σκανδάλη
3. Μπουτόν απασφάλισης
4. Οπές εξαερισμού
5. Προφυλακτήρας
6. Μπαταρία
7. Κουμπιά απελευθέρωσης για μπαταρία
8. Φορτιστής
9. Ενδειξη φόρτισης
10. Ενδειξη τέλους φόρτισης
11. Κάλυμμα λεπίδας

### ΣΥΝΑΡΜΟΛΟΓΗΣΗ



Πριν από τη συναρμολόγηση, αφαιρέτε πάντα την μπαταρία.

### Τοποθέτηση και αφαίρεση της μπαταρίας (εικ. Β)

- ♦ Για να τοποθετήσετε την μπαταρία (6), ευθυγραμμίστε την με την υποδοχή πάνω στο εργαλείο. Ολισθήστε την μπαταρία μέσα στην υποδοχή και σπρώξτε μέχρις ότου η μπαταρία κουμπώσει στη θέση της.
- ♦ Για να αφαιρέσετε τη μπαταρία, σπρώξτε μαζί και τα δύο κουμπιά απελευθέρωσης (7) ενώ ταυτόχρονα τραβάτε τη μπαταρία έξω από την υποδοχή.



## ΕΛΛΗΝΙΚΑ

### ΧΡΗΣΗ



- ♦ Αφήστε το εργαλείο να λειτουργήσει στο δικό του ρυθμό και μην το υπερφορτώνετε.

#### Φόρτιση της μπαταρίας (εικ. Α)

Η μπαταρία πρέπει να φορτιστεί πριν από την πρώτη χρήση και όποτε δεν μπορεί να παράγει αρκετή ισχύ για εργασίες που παλαιότερα εκτελούνταν με ευκολία. Όταν η μπαταρία φορτίζεται για πρώτη φορά ή μετά από παρατεταμένη αποθήκευση, θα φορτιστεί μόνο κατά το 80%. Μετά από μερικούς κύκλους φόρτισης και αποφόρτισης, η μπαταρία θα αποκτήσει πλήρη χωρητικότητα. Η μπαταρία μπορεί να ζεσταθεί κατά τη φόρτισή της. Αυτό είναι φυσιολογικό και δεν είναι ενδεικτικό κάποιου προβλήματος.



Μη φορτίζετε τη μπαταρία σε θερμοκρασίες περιβάλλοντος κάτω των 4 °C ή άνω των 40 °C. Συνιστώμενη θερμοκρασία φόρτισης: περίπου 24 °C.

- ♦ Για να φορτίσετε τη μπαταρία (6), αφαιρέστε την από το εργαλείο και τοποθετήστε την στο φορτιστή (8). Η μπαταρία μπαίνει στο φορτιστή κατά ένα τρόπο και μόνο. Μην τη ζορίζετε. Βεβαιωθείτε ότι η μπαταρία έχει εφαρμόσει καλά στο φορτιστή.
- ♦ Βάλτε το φορτιστή στην πρίζα.

#### Φορτιστής 3 ωρών

Η μπαταρία θα έχει φορτιστεί πλήρως σε 3 περίπου ώρες. Μπορείτε να την αφαιρέσετε οποιαδήποτε στιγμή θέλετε ή μπορείτε να την αφήσετε συνεχώς πάνω στο φορτιστή.

#### Φορτιστής 1 ώρας

- ♦ Ελέγξτε αν ανάβει η κόκκινη ένδειξη φόρτισης (9). Αν αντί για την κόκκινη ένδειξη, ανάψει τώρα η πράσινη ένδειξη τέλους φόρτισης (10), η μπαταρία είναι ιδιαίτερα ζεστή και δεν μπορεί να φορτιστεί. Αν συμβεί αυτό, αφαιρέστε τη μπαταρία από το φορτιστή, αφήστε την να κρυώσει για 1 ώρα περίπου, και μετά επανατοποθετήστε την στο φορτιστή.

Μετά από περίπου 1 ώρα φόρτισης, η κόκκινη ένδειξη φόρτισης (9) θα σβήσει και θα ανάψει η πράσινη ένδειξη τέλους φόρτισης (10). Τώρα η μπαταρία είναι πλήρως φορτισμένη.

- ♦ Αφαιρέστε τη μπαταρία από το φορτιστή.

#### Θέση εντός και εκτός λειτουργίας (εικ. C)

Για την ασφάλειά σας, αυτό το εργαλείο είναι εφοδιασμένο με διπλό σύστημα εκκίνησης. Το σύστημα αυτό αποτρέπει την αθέλητη εκκίνηση του εργαλείου και επιτρέπει τη λειτουργία του μόνο εφόσον το κρατάτε και με τα δύο χέρια.

#### Θέση σε λειτουργία (on)

- ♦ Κρατήστε σφικτά την μπροστινή λαβή με διακόπτη (1).
- ♦ Σπρώξτε το μπουτόν απασφάλισης (3) προς τα εμπρός με τον αντίχειρά σας και ταυτόχρονα πιέστε τη σκανδάλη (2).
- ♦ Αφήστε το μπουτόν απασφάλισης.

#### Θέση εκτός λειτουργίας (off)

- ♦ Αφήστε το διακόπτη της μπροστινής λαβής (1) ή τη σκανδάλη (2).



Ποτέ μην επιχειρήσετε να μπλοκάρете κάποιο διακόπτη στη θέση λειτουργίας του (on).

#### Συμβουλές για άριστη χρήση

- ♦ Δώστε μια μικρή κλίση στο εργαλείο (έως 15° σε σχέση με τη γραμμή κοπής) έτσι ώστε τα άκρα της λεπίδας να είναι ελαφρά στραμμένα προς το θάμνο (εικ. D1). Μ' αυτό τον τρόπο οι λεπίδες θα κόβουν πιο αποτελεσματικά.
- ♦ Αρχίστε το κλάδεμα από την κορυφή του θάμνου. Κρατήστε το εργαλείο στην επιθυμητή γωνία και μετακινήστε το σταθερά κατά μήκος της γραμμής κοπής (εικ. D2). Η διπλής όψης λεπίδα σας επιτρέπει να κλαδεύετε και προς τις δύο κατευθύνσεις.
- ♦ Για να επιτύχετε μια απόλυτα ευθεία κοπή, απλώστε ένα κομμάτι νήμα κατά μήκος του θάμνου στο επιθυμητό ύψος. Χρησιμοποιείστε το νήμα (12) σαν οδηγό, κλαδεύοντας ακριβώς πάνω από αυτό (εικ. D2).





## ΕΛΛΗΝΙΚΑ

- ♦ Για να επιτύχετε επίπεδες κάθετες πλευρές, κλαδέψτε από κάτω προς τα πάνω, κατά τη φορά ανάπτυξης των φυτών (εικ. D3). Τα νέα κοτσάνια κινούνται προς τα έξω όταν η λεπίδα τα κόβει από πάνω προς τα κάτω, δημιουργώντας ανομοιόμορφα σημεία στην επιφάνεια που κλαδεύετε.
- ♦ Προσέξτε ιδιαίτερα να αποφύγετε ξένα αντικείμενα. Πιο συγκεκριμένα, αποφύγετε τα σκληρά αντικείμενα, όπως μεταλλικό σύρμα και κιγκλιδώματα, καθώς αυτά μπορεί να προκαλέσουν ζημιά στις λεπίδες (εικ. D4).
- ♦ Λιπαίνετε τακτικά τις λεπίδες.
- ♦ Θα ήταν καλή ιδέα να προμηθευτείτε μία εφεδρική μπαταρία προκειμένου να παρατείνετε τη διάρκεια λειτουργίας του εργαλείου. Ο κωδικός της μπαταρίας βρίσκεται στον πίνακα τεχνικών χαρακτηριστικών που ακολουθεί.

### ΣΥΝΤΗΡΗΣΗ

Αυτό το εργαλείο της Black & Decker έχει σχεδιαστεί έτσι ώστε να λειτουργεί για μεγάλο χρονικό διάστημα με την ελάχιστη δυνατή φροντίδα. Η αδιάλειπτη και κανονική λειτουργία του εξαρτάται από τη φροντίδα του εργαλείου και τον τακτικό καθαρισμό του.

Ο φορτιστής σας δεν απαιτεί καμία συντήρηση εκτός από τον τακτικό καθαρισμό του.



- ♦ Πριν εκτελέσετε οποιαδήποτε εργασία συντήρησης στο εργαλείο, αφαιρέστε τη μπαταρία από το εργαλείο.
- ♦ Βγάλτε το φορτιστή από την πρίζα πριν τον καθαρίσετε.
- ♦ Μετά τη χρήση, καθαρίστε προσεκτικά τις λεπίδες. Μετά τον καθαρισμό, απλώστε ένα λεπτό στρώμα λεπτόρρευστου λαδιού μηχανής, για να προφυλάξετε τις λεπίδες από τη σκουριά.
- ♦ Καθαρίζετε τακτικά τις οπές εξαερισμού στο εργαλείο σας και το φορτιστή, με μια βούρτσα με μαλακές τρίχες ή με ένα στεγνό πανί.
- ♦ Καθαρίζετε τακτικά το περίβλημα του μοτέρ με ένα υγρό πανί. Μη χρησιμοποιείτε γυαλιστικά ή υγρά καθαρισμού με βάση διαλυτικά.

### Περιβάλλον

#### Εργαλείο



Παραδώστε το εργαλείο σας σε ένα εξουσιοδοτημένο σταθμό συντήρησης. Οι τεχνικοί του θα μεριμνήσουν για την διάθεσή του κατά τρόπο που δεν βλάπτει το περιβάλλον.

#### Μπαταρίες



Οι μπαταρίες Black & Decker μπορούν να επαναφορτιστούν πολλές φορές.

Όταν πλέον δεν μπορούν να ξαναχρησιμοποιηθούν, απορρίψτε τες με τρόπο κατάλληλο για το περιβάλλον:

- ♦ Εξαντλήστε πλήρως τη μπαταρία και μετά αφαιρέστε την από το εργαλείο.
- ♦ Οι μπαταρίες NiCd και NiMH είναι ανακυκλώσιμες. Στείλτε τες στον αντιπρόσωπό σας ή στον τοπικό σας σταθμό ανακύκλωσης. Οι μπαταρίες που θα συγκεντρωθούν, θα ανακυκλωθούν ή θα απορριφθούν καταλλήλως.

#### Τεχνικά χαρακτηριστικά

		GTC410	GTC510
Τάση	V <sub>DC</sub>	12	14,4
Διαδρομές λεπίδας (χωρίς φορτίο)	min <sup>-1</sup>	1.200	1.200
Μήκος λεπίδας	cm	43	51
Διάκενο λεπίδων	mm	12	12
Χρόνος φρεναρίσματος λεπίδων	s	< 0,5	< 0,5
Κωδ. καταλόγου μπαταρία		A9275	A9276
Βάρος (χωρίς μπαταρία)	kg	1,95	2,05

Μπαταρία		A9275	A9276
Τάση	V <sub>DC</sub>	12	14,4
Χωρητικότητα	Ah	1,25	1,5
Βάρος	kg	0,6	0,7

Φορτιστής			
Τάση δικτύου	V <sub>AC</sub>	230	230
Χρόνος φόρτισης κατά προσέγγιση	h	3	1
Βάρος	kg	0,4	1,2



## ΕΛΛΗΝΙΚΑ

### ΕΓΓΥΗΣΗ

Εάν το εργαλείο της Black & Decker αποβεί ελαττωματικό λόγω ελαττωματικών υλικών ή εργασίας εντός 12 μηνών από την ημερομηνία αγοράς, εγγυόμαστε να αντικαταστήσουμε δωρεάν όλα τα ελαττωματικά μέρη, δεδομένου ότι:

- Το εργαλείο επιστραφεί στο κέντρο σέρβις της Black & Decker με απόδειξη την ημερομηνία αγοράς.
- Το εργαλείο δεν έχει αγοραστεί για να χρησιμοποιείται από τον χρήστη και όχι για σκοπούς ενοικίασης.
- Το εργαλείο έχει χρησιμοποιηθεί αντικανονικά ή χειριστεί απρόσεκτα.
- Δεν έχουν επιχειρηθεί επισκευές από πρόσωπα άλλα από το προσωπικό της υπηρεσίας μας.

Η εγγύηση προσφέρεται ως πρόσθετο πλεονέκτημα και είναι πρόσθετο εκείνου των καταστατικών δικαιωμάτων σας.

### Η πολιτική εγγύησης

Παράλειψη που οφείλεται στις ακόλουθες περιπτώσεις, δεν καλύπτονται:

- Η αντικατάσταση χαλασμένων ή σπασμένων λεπίδων, γραμμών νάλων και αλυσίδων, ή καλωδίων που έπαθαν βλάβη κατά τη διάρκεια αποθήκευσης ή χρήσης. Αυτές οι περιπτώσεις θεωρούνται είδη αντικατάστασης που φθείρονται λόγω κανονικής χρήσης.
- Παράλειψη με αποτέλεσμα αιφνίδιου τραντάγματος ή προφανούς κακομεταχείρισης.
- Παραλείψεις λόγω χρήσης που δεν συμμορφώνεται με τις οδηγίες και τις συστάσεις που περιέχονται στο βιβλίο οδηγιών.

Η χρήση άλλων εξαρτημάτων και ανταλλακτικών εκτός των αυθεντικών της Black & Decker, μπορεί να προκαλέσει βλάβη ή να μειώσει την απόδοση του εργαλείου της Black & Decker και να επιφέρει την ακύρωση της εγγύησης.

### ΥΠΗΡΕΣΙΑ ΜΕΤΑ ΑΠΟ ΤΗΝ ΠΩΛΗΣΗ

Πολλές λεπτομέρειες σχετικά με την υπηρεσία μετά από την πώληση είναι διαθέσιμες στο Internet στη διεύθυνση [www.2helpU.com](http://www.2helpU.com).

Εναλλακτικά, επικοινωνήστε με το Κέντρο Εξυπηρέτησης και Πληροφόρησης, στη διεύθυνση που αναφέρεται στο οπισθόφυλλο αυτών των οδηγιών χρήσης.

Η Black & Decker προσφέρει πανεθνική υπηρεσία μετά από την πώληση μέσω κέντρων εξυπηρέτησης που λειτουργούν μέσω εταιρείας. Σκοπός μας είναι να προσφέρουμε άριστη υπηρεσία, γρήγορες επισκευές, εκτεταμένη διαθεσιμότητα ανταλλακτικών και πλήρη υποστήριξη εξαρτημάτων.

Εάν χρειάζεστε τυχόν βοήθεια ή συμβουλή, παρακαλείστε όπως επικοινωνήσετε με τον διευθυντή του τοπικού σας κέντρου εξυπηρέτησης της Black & Decker. Μπορείτε να πάρετε πλήρεις πληροφορίες για τη μοναδική υπηρεσία μετά τις πωλήσεις από οποιοδήποτε κέντρο εξυπηρέτησης μαζί με το εργαλείο σας, σας δίνουμε πλήρη οδηγό πίσω από το σχεδιάγραμμα των εξαρτημάτων.

### ΆΛΛΑ ΕΡΓΑΛΕΙΑ ΚΗΠΟΥ

Η Black & Decker διαθέτει μία πλήρη σειρά εργαλείων κήπου, τα οποία διευκολύνουν την εργασία σας στον κήπο. Για περισσότερες πληροφορίες σχετικά με τα προϊόντα που αναφέρονται παρακάτω, επικοινωνήστε με το Κέντρο Εξυπηρέτησης και Πληροφόρησης (στη διεύθυνση που αναφέρεται προς το τέλος αυτών των οδηγιών χρήσης) ή με το πλησιέστερο κατάστημα προϊόντων της Black & Decker.

Κλαδευτήρια με λεπίδες και χορδές  
Αλυσοπρίονα  
Φορτιζόμενες σκούπες και καθαριστήρες θάμνων  
Φορτιζόμενα ψαλίδια  
Φορτιζόμενα πριόνια αποπαρύφωσης  
Ψαλίδια φυτικών φρακτών  
Χλοοκοπτικές μηχανές  
Τσουγκράνες γρασιδιού  
Συλλέκτες φύλλων  
Μηχανές τεμαχισμού

Δεν είναι όλα τα προϊόντα διαθέσιμα σε όλες τις χώρες.







<b>Australia</b>	DeWALT Industrial Power Tool Company 7 Clarice Road, Box Hill, Victoria 3128	Tel. 03 9895 9200 Fax 03 9899 7465
<b>Belgique/België</b>	Black & Decker (Belgium) N.V. Weihoek 1, 1930 Zaventem	Tel. 02/719.07.11 Fax 02/719.08.10
<b>Danmark</b>	Black & Decker Hejrevang 26B, 3450 Allerød Internet: www.blackdecker.dk	Tel. 70 20 15 10 Fax 48 14 13 99
<b>Deutschland</b>	Black & Decker GmbH Black & Decker Str. 40, D - 65510 Idstein	Tel. 06126/21 24 83 Fax 06126/21 26 01
<b>Ελλάς</b>	Black & Decker (Ελλάς) A.E. Στράβωνος 7 & Βουλιαγμένης 159 Γλυφάδα 16674, Ελλάδα	Τηλ. (01) 8981-616 Φαξ (01) 8983-570 Service (01) 8982-630
<b>España</b>	Black & Decker Spain Parque de Negocios "Mas Blau" Edificio Muntadas, c/Bergadá, 1, Of. A6 08820 El Prat de Llobregat (Barcelona)	Tel. 934 797 400 Fax 934 797 419
<b>France</b>	Black & Decker (France) S.A.S. B.P. 21, 69571 Dardilly Cédex	Tel. 04 72 20 39 20 Fax 04 72 20 39 00
<b>Helvetia</b>	Eduard Luggen Black & Decker-Service Schweiz Industriestrasse 1 / Postfach 323, 8157 Dielsdorf	Tel. 01/854 01 01 Fax 01/854 02 02
<b>Italia</b>	Black & Decker Italia SpA Viale Elvezia 2 20052 Monza (MI)	Tel. 039-23871 Fax 039-2387592/2387594 Numero verde 800-213935
<b>Nederland</b>	Black & Decker (Nederland) BV Florijnstraat 10, 4879 AH Etten-Leur	Tel. 076-5082000 Fax 076-5038184
<b>New Zealand</b>	Black & Decker 81 Hugo Johnson Drive Penrose, Auckland, New Zealand	Tel. 09 579 7600 Fax 09 579 8200
<b>Norge</b>	Black & Decker (Norge) A/S Postboks 248, Leirdal, 1011 Oslo Internet: www.blackdecker.no	Tlf. 22 90 99 00 Fax 22 90 99 01
<b>Österreich</b>	Black & Decker Vertriebsges.m.b.H Erlaaerstraße 165, 1231 Wien	Tel. 01 66116-0 Fax 01 66116-14
<b>Portugal</b>	Black & Decker Rua Egas Moniz 173, 2766-651 S. João do Estoril	Tel. 214667500 Fax 214667575
<b>South Africa</b>	Black & Decker South Africa (Pty) Ltd Physical address: 146 Lechwe Street, Corporate park Randjiesfontein, Midrand Postal address: Postnet Suite 107, Private Bag X65 Halfway House 1685	Tel. (011) 653-1400 Fax (011) 653-1499
<b>Suomi</b>	Black & Decker Oy Palotie 3, 01610 Vantaa Black & Decker Oy, Brandvägen 3, 01610 Vanda	Puh: (09) 825 4540 Fax: (09) 825 45 444 Tel: (09) 825 4540 Fax: (09) 825 45 444
<b>Sverige</b>	Black & Decker AB Box 603, 421 26 Västra Frölunda, Besöksadr. Ekonomivägen 11	Tel: 031-68 60 00 Fax: 031-68 60 08
<b>Türkiye</b>	Black & Decker Merkez Servis Dudullu Cad. Kerembey Sok. No. 1 Küçükbakkalköy/Istanbul	Tel. 0216 455 89 73 Faks 0216 455 20 52
<b>United Kingdom</b>	Black & Decker 210 Bath Road Slough, Berkshire SL1 3YD Guarantee card return address: PO Box 821, Slough, Berkshire SL1 3AR	Tel. 01753 511234 Fax 01753 551155 Helpline 01753 574277

571815-01



Dealer address  
Händleradresse  
Cachet du revendeur  
Indirizzo del rivenditore  
Adres van de dealer  
Dirección del detallista  
Morada do revendedor  
Återförsäljarens adress  
Forhandlens adresse  
Jälleenmyyjän osoite  
Διεύθυνση αντιπροσώπου

Date of purchase  
Kaufdatum  
Date d'achat  
Data d'acquisto  
Aankoopdatum  
Fecha de compra  
Data de compra  
Inköpsdatum  
Inkjøpsdato  
Indkøbsdato  
Ostopäivä  
Ημερομηνία αγοράς

.....

◆ Name ◆ Name ◆ Nom ◆ Nome  
◆ Naam ◆ Nombre ◆ Nome ◆ Namn  
◆ Navn ◆ Navn ◆ Nimi ◆ Oνομα:

◆ Is this tool a gift? ◆ Ist dieses Gerät ein Geschenk? ◆ S'agit-il d'un cadeau? ◆ Si tratta di un regalo? ◆ Kreeg u de machine als cadeau? ◆ ¿Ha recibido usted esta herramienta como regalo? ◆ Recebeu esta ferramenta como presente? ◆ Är verktyget en gåva? ◆ Er verkjøyet en gave? ◆ Onko kone lahja? ◆ Το εργαλείο είναι δωρο?

verkjøy? ◆ Onko tämä ensimmäinen B&D-koneesi? ◆ Είναι το εργαλείο αυτό η πρώτη σας αγορά?

.....

◆ Address ◆ Adresse ◆ Adresse ◆ Indirizzo ◆ Adres ◆ Dirección ◆ Morada ◆ Address ◆ Adresse ◆ Adresse ◆ Osoite ◆ Διεύθυνση:

◆ Yes ◆ Ja ◆ Oui ◆ Si ◆ Ja ◆ Si  
◆ Sim ◆ Ja ◆ Ja ◆ Ja ◆ Kyllä ◆ Nat

◆ No ◆ Nein ◆ Non ◆ No ◆ Nee  
◆ No ◆ Não ◆ Nej ◆ Nei ◆ Nej  
◆ Ei ◆ OXt

.....

◆ Town ◆ Ort ◆ Ville ◆ Città ◆ Plaats  
◆ Ciudad ◆ Localidade ◆ Ort ◆ By ◆ By  
◆ Paikkakunta ◆ Πόλη:

◆ Yes ◆ Ja ◆ Oui ◆ Si ◆ Ja ◆ Si  
◆ Sim ◆ Ja ◆ Ja ◆ Ja ◆ Kyllä ◆ Nat

◆ Dealer address ◆ Händleradresse  
◆ Cachet du revendeur ◆ Indirizzo del rivenditore ◆ Adres van de dealer  
◆ Dirección del detallista ◆ Morada do revendedor ◆ Återförsäljarens adress  
◆ Forhandlens adresse ◆ Forhandler adresse ◆ Jälleenmyyjän osoite  
◆ Διεύθυνση αντιπροσώπου

◆ Postal code ◆ Postleitzahl ◆ Code postal ◆ Codice postale ◆ Postcode  
◆ Código ◆ Código postal ◆ Postnr.  
◆ Postnr. ◆ Postnr. ◆ Postnummero  
◆ Κωδικός

◆ Is this tool your first purchase? ◆ Ist dieses Gerät ein Erstkauf? ◆ Est-ce un 1er achat? ◆ Questo prodotto è il suo primo acquisto? ◆ Is deze machine uw eerste aankoop? ◆ ¿Es esta herramienta la primera de este tipo? ◆ Esta ferramenta é a sua primeira compra? ◆ Är detta ditt första B&D-verktyg? ◆ Er dette ditt første B&D-verktoy? ◆ Er dette dit første B&D

Cat. no.:

◆ Data protection act: Tick the box if you prefer not to receive further information. ◆ Bitte ankreuzen, falls Sie keine weiteren Informationen erhalten möchten. ◆ Si vous ne souhaitez pas recevoir d'informations, cochez cette case. ◆ Barrate la casella se non desiderate ricevere informazioni. ◆ A.u.b. dit vakje aankruisen indien u geen informatie wenst te ontvangen. ◆ Señale en la casilla sino quiere recibir información. ◆ Por favor, assinala com uma cruz se não desejar receber informação. ◆ Vänligen kryssa för i rutan om Ni inte vill ha information. ◆ Vennligst kryss av dersom du ikke ønsker informasjon. ◆ Venligst sæt kryds i ruden såfremt De ikke måtte ønske at modtage information. ◆ Merkitkää rasti ruutuun, mikäli ette halua vastaanottaa informaatiota. ◆ Παρακαλείστε να σημειώσετε εάν δεν θέλετε να πάρετε πληροφορίες.



- ◆ GUARANTEE CARD
- ◆ GARANTIEKART
- ◆ GARANTI KORT
- ◆ GARANTIEKARTE
- ◆ TARJETA DE GARANTÍA
- ◆ GARANTI KORT
- ◆ CARTE DE GARANTIE
- ◆ CARTÃO DE GARANTIA
- ◆ TAKUUKORTTI
- ◆ TAGLIANDO DI GARANZIA
- ◆ GARANTIBEVIS
- ◆ KAPTA EΓΓΥΗΣΗΣ



### English

Please complete this section immediately after the purchase of your tool and send it to Black & Decker in your country. If you live in Australia or New Zealand, please register by using the alternative guarantee card supplied.

### Deutsch

Bitte schneiden Sie diesen Abschnitt ab, stecken ihn in einen frankierten Umschlag und schicken ihn an die Black & Decker Adresse Ihres Landes.

### Français

Découpez cette partie et envoyez-la sous enveloppe timbrée à l'adresse de Black & Decker dans votre pays, ceci immédiatement après votre achat.

### Italiano

Per favore ritagliate questa parte, inseritela in una busta con francobollo e spedite-la subito dopo l'acquisto del prodotto all'indirizzo della Black & Decker nella vostra nazione.

### Nederlands

Knip dit gedeelte uit en zend het direct na aankoop in een gefrankeerde, geaddresserde envelop naar het adres van Black & Decker in uw land.

### Español

Después de haber comprado su herramienta envíe usted, por favor, esta tarjeta a la central de Black & Decker en su país.

### Português

Por favor, recorte esta parte, coloque-a num envelope selado e endereçado e envie-o logo após a compra do seu produto para o endereço da Black & Decker do seu país.

### Svenska

Var vänlig klipp ur denna del och sänd den i ett frankerat kuvert till Black & Deckers adress i Ditt land.

### Norsk

Vennligst klipp ut denne delen umiddelbart etter du har pakket ut ditt produkt og legg det i en adressert konvolutt til Black & Decker (Norge) A/S.

### Dansk

Venligst klip denne del ud og send frankeret til Black & Decker i dit land.

### Suomi

Leikkaa irti tämä osa, laita se kuoreen ja postita kuori paikalliseen Black & Decker osoitteeseen.

### Ελληνικά

Παράκατω κόψτε αυτό το κομμάτι και ταχυδρομήστε το αμέσως μετά την αγορά του προϊόντος σας στην διεύθυνση της Black & Decker στην Ελλάδα.

