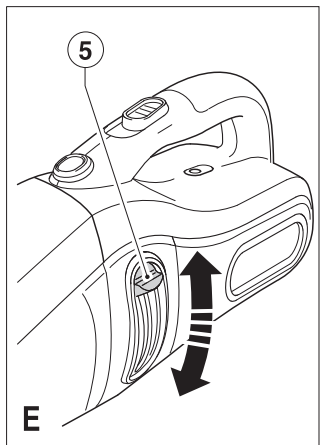
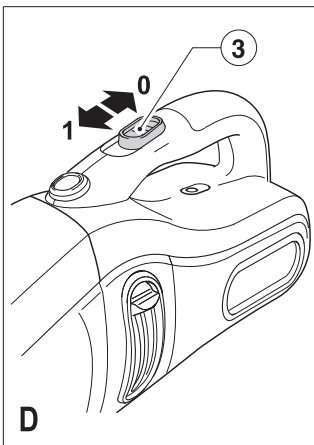
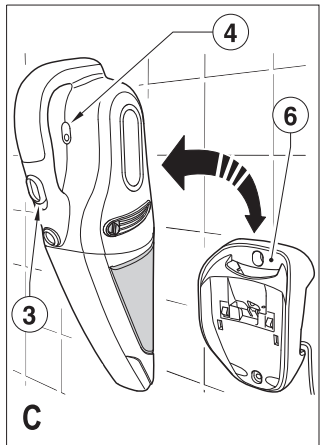
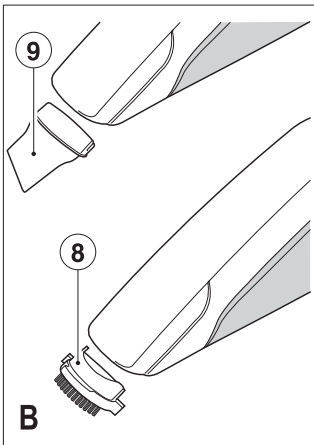
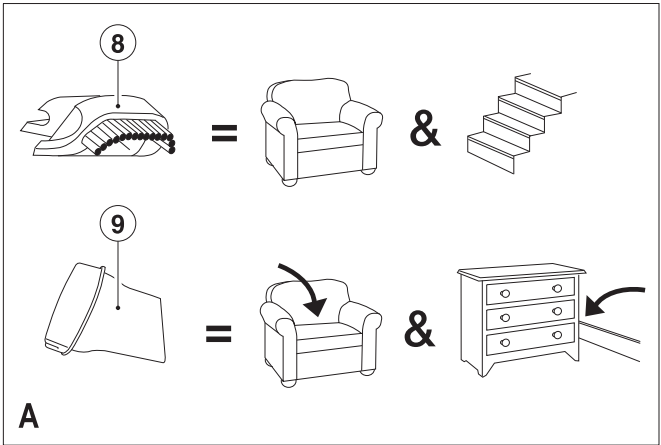
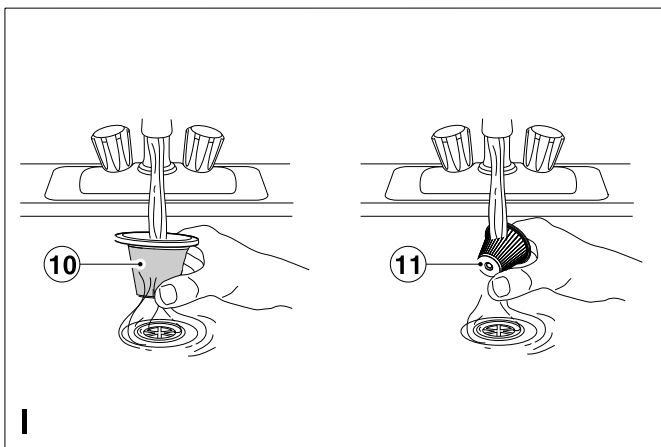
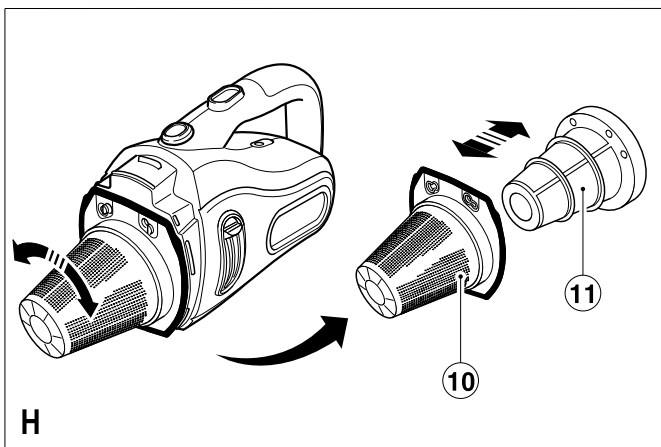
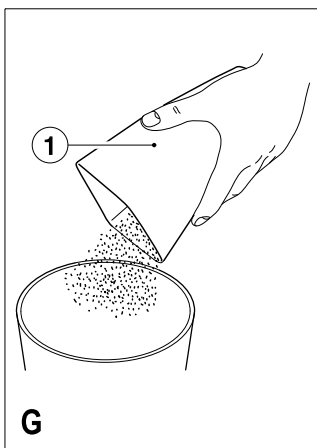
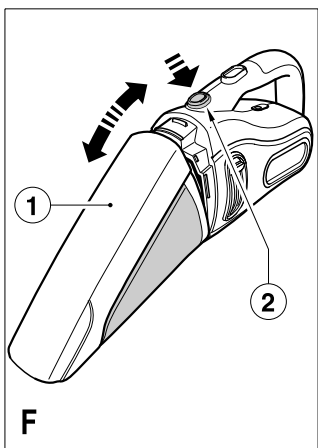
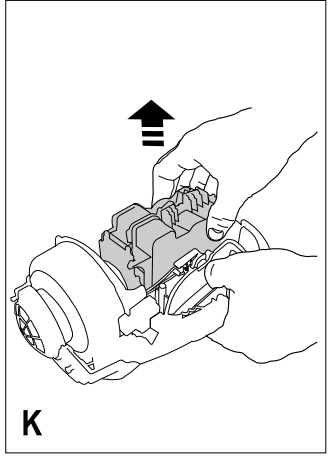
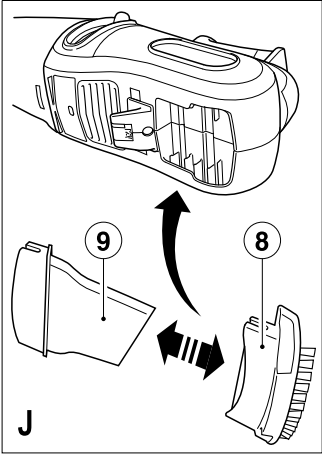


English	(Original instructions)	6
Deutsch	(Übersetzung der ursprünglichen Anweisungen)	12
Français	(Traduction des instructions initiales)	19
Italiano	(Traduzione del testo originale)	26
Nederlands	(Vertaling van de originele instructies)	33
Español	(Traducción de las instrucciones originales)	40
Português	(Tradução das instruções originais)	47
Svenska	(Översättning av originalanvisningarna)	54
Norsk	(Oversettelse av de opprinnelige instruksjonene)	60
Dansk	(Oversættelse af de oprindelige instruktioner)	66
Suomi	(Alkuperäisten ohjeiden käännös)	72
Ελληνικά	(Μετάφραση των πρωτότυπων οδηγιών)	78
Türkçe	(Orijinal talimatların Çeviri)	86







Intended use

Your Black & Decker Dustbuster® hand-held vacuum cleaner has been designed for light dry vacuum cleaning purposes. This appliance is intended for household use only.

Design and Patent information

EC Design Registration Numbers:

- ◆ 607643-0001
- ◆ 607668-0001
- ◆ 607650-0001
- ◆ 897764-0001

Safety instructions

Warning! When using battery-powered appliances, basic safety precautions, including the following, should always be followed to reduce the risk of fire, leaking batteries, personal injury and material damage.

- ◆ Read all of this manual carefully before using the appliance.
- ◆ The intended use is described in this manual. The use of any accessory or attachment or the performance of any operation with this appliance other than those recommended in this instruction manual may present a risk of personal injury.
- ◆ Retain this manual for future reference.

Using your appliance

- ◆ Do not use the appliance to pick up liquids or any materials that could catch fire.
- ◆ Do not use the appliance near water.
- ◆ Do not immerse the appliance in water.
- ◆ Never pull the charger lead to disconnect the charger from the socket. Keep the charger lead away from heat, oil and sharp edges.
- ◆ This appliance is not intended for use by persons (including children) with reduced physical, sensory or mental capabilities, or lack of experience and knowledge, unless they have been given supervision or instruction concerning use of the appliance by a

person responsible for their safety. Children should be supervised to ensure that they do not play with the appliance.

After use

- ◆ Unplug the charger before cleaning the charger or charging base.
- ◆ When not in use, the appliance should be stored in a dry place.
- ◆ Children should not have access to stored appliances.

Inspection and repairs

- ◆ Before use, check the appliance for damaged or defective parts. Check for breakage of parts, damage to switches and any other conditions that may affect its operation.
- ◆ Do not use the appliance if any part is damaged or defective.
- ◆ Have any damaged or defective parts repaired or replaced by an authorized repair agent.
- ◆ Regularly check the charger lead for damage. Replace the charger if the lead is damaged or defective.
- ◆ Never attempt to remove or replace any parts other than those specified in this manual.

Safety of others

- ◆ This appliance is not intended for use by persons (including children) with reduced physical, sensory or mental capabilities, or lack of experience and knowledge, unless they have been given supervision or instruction concerning the use of the appliance by a person responsible for their safety.
- ◆ Children should be supervised to ensure that they do not play with the appliance.

Additional safety instructions - batteries and chargers

Batteries

- ◆ Never attempt to open for any reason.
- ◆ Do not expose the battery to water.
- ◆ Do not expose the battery to heat.

- ◆ Do not store in locations where the temperature may exceed 40°C.
- ◆ Charge only at ambient temperatures between 10°C and 40°C.
- ◆ Charge only using the charger provided with the appliance/tool. Using the wrong charger could result in an electric shock or overheating of the battery.
- ◆ When disposing of batteries, follow the instructions given in the section "Protecting the environment".
- ◆ Do not damage/deform the battery pack either by puncture or impact, as this may create a risk of injury and fire.
- ◆ Do not charge damaged batteries.
- ◆ Under extreme conditions, battery leakage may occur. When you notice liquid on the batteries carefully wipe the liquid off using a cloth. Avoid skin contact.
- ◆ In case of skin or eye contact, follow the instructions below.

Warning! The battery fluid may cause personal injury or damage to property. In case of skin contact, immediately rinse with water. If redness, pain or irritation occurs seek medical attention. In case of eye contact, rinse immediately with clean water and seek medical attention.

Chargers

Your charger has been designed for a specific voltage. Always check that the mains voltage corresponds to the voltage on the rating plate.

Warning! Never attempt to replace the charger unit with a regular mains plug.

- ◆ Use your Black & Decker charger only to charge the battery in the appliance/tool with which it was supplied. Other batteries could burst, causing personal injury and damage.
- ◆ Never attempt to charge non-rechargeable batteries.
- ◆ If the supply cord is damaged, it must be replaced by the manufacturer or an authorised Black & Decker

Service Centre in order to avoid a hazard.

- ◆ Do not expose the charger to water.
- ◆ Do not open the charger.
- ◆ Do not probe the charger.
- ◆ The appliance/tool/battery must be placed in a well ventilated area when charging.

Electrical safety

Your charger has been designed for a specific voltage. Always check that the mains voltage corresponds to the voltage on the rating plate. Never attempt to replace the charger unit with a regular mains plug.

Symbols on the charger



Read all of this manual carefully.



Your charger is double insulated; therefore no earth wire is required.



F

Fail-safe isolating transformer. The mains supply is electrically separated from the transformer output.



The charger automatically shuts off if the ambient temperature becomes too high. As a consequence the charger will be inoperable. The charging base must be disconnected from the mains supply and taken to an authorised service centre for repair.



The charging base is intended for indoor use only

Features

1. Dust collector
2. Release button
3. On/Off switch
4. Charging indicator
5. Filter cleaning button
6. Charging base
7. Powered brush head

Fig. A

8. Brush tool
9. Crevice tool

Identifying your product

The model design can be determined from the suffix codes used in the catalogue number. The following catalogue numbers are described in this manual:

- ◆ DV96VXZ or DV12VXZ.

The suffix code V corresponds to the following designs:

- ◆ 05: All units, supplied with a small crevice tool and a brush tool.

The suffix code X represented by the letter T is used for models fitted with a turbo brush

The suffix code Z represented by the letter N is used for models fitted with a NiMH battery.

Installation

Fitting the charging base to the wall

The charging base can be placed on a work top or fitted to the wall to provide a convenient storage and charging point for the appliance.

When fixing to a wall, make sure that the fixing method is suitable for the wall type and is appropriate to the weight of the appliance.

Note: Please note, that the unit will not fit onto the wall mounted charging base with the powered head attached.

Assembly

Fitting the powered brush head

The brush head (7) allows for vacuuming on cut pile carpeting. The brush head is particularly useful for picking up hair, threads, etc.

- ◆ Insert the brush head (7) into the front of the appliance. Make sure that the brush head is pushed fully in.

Fitting the accessories (fig. A & B)

These models are supplied with some or all of the following accessories:

- ◆ A crevice tool (9) for confined spaces.
- ◆ A brush tool (8) for furniture and stairs.

To fit an accessory, proceed as follows:

- ◆ Take the accessory from its storage position on the appliance (fig. J).

Insert the appropriate accessory into the front of the appliance.

Residual risks

Additional residual risks may arise when using the tool which may not be included in the enclosed safety warnings. These risks can arise from misuse, prolonged use etc.

Even with the application of the relevant safety regulations and the implementation of safety devices, certain residual risks cannot be avoided. These include:

- ◆ Injuries caused by touching any rotating/moving parts.
- ◆ Injuries caused when changing any parts, blades or accessories.
- ◆ Injuries caused by prolonged use of a tool. When using any tool for prolonged periods make sure you take regular breaks.
- ◆ Impairment of hearing.
- ◆ Health hazards caused by breathing dust developed when using your tool (example:- working with wood, especially oak, beech and MDF).

Use

- ◆ Before first use, the battery must be charged for at least 24 hours.
- ◆ Place the appliance on the charging base whenever it is not in use.

Charging the battery (fig. C)

Before charging the battery:

- ◆ Make sure that the appliance is switched off. The battery will not be charged with the on/off switch (3) in the on position.
- ◆ Place the appliance on the charging base (6) as shown.
- ◆ Plug in the charger. Switch on at the mains.

The charging indicator (4) will be lit.

- ◆ Leave the appliance to charge for at least 24 hours.

While charging, the charger may become warm. This is normal and does not indicate a problem. The appliance can be left connected to the charger indefinitely. The charging indicator (4) will be lit as long as the appliance is connected to the plugged-in charger.

Warning! Do not charge the battery at ambient temperatures below 10°C or above 40°C.

Switching on and off (fig. D)

- ◆ To switch the appliance on, slide the on/off switch (3) forward.
- ◆ To switch the appliance off, slide the on/off switch (3) back.

Optimising the suction force (fig. E)

In order to keep the suction force optimised, the filters must be cleared regularly during use.

- ◆ Slide the filter cleaning button (5) up and down a few times to shake out dust clogging the filters (10 & 11).

Cleaning and maintenance

Warning! Regularly clean the filters (10 & 11).

Cleaning the brush head

- ◆ Remove any hair or other debris that is wrapped around or is trapped near the brush bar to make sure that it can rotate freely. Use a pair of scissors if necessary.

Cleaning the dust collector and filters (fig. F - I)

The filters are re-usable and should be cleaned regularly.

- ◆ Press the release button (2) and remove the dust collector (1).
- ◆ Empty the dust collector (1) (fig. G).
- ◆ Remove the filters (10 & 11) by twisting them clockwise (fig. H).
- ◆ Separate the filters (10 & 11)
- ◆ Brush any loose dust from the filters (10 & 11).
- ◆ Wash the filters in warm, soapy water (fig. I).

Warning! Do not immerse the appliance in water.

- ◆ Make sure that the dust collector (1) and the filters (10 & 11) are dry.
- ◆ Refit the filters (10 & 11) on to the appliance, twisting them counter-clockwise until they lock into place.
- ◆ Refit the dust collector (1) onto the appliance. Make sure that the dust collector clicks into place.

Warning! Never use the appliance without the filters. Optimum dust collection will only be achieved with clean filters.

Replacing the filters

The filters should be replaced every 6 to 9 months and whenever worn or damaged. A replacement filter is available from your Black & Decker dealer (cat. no. VF70):

- ◆ Remove the old filters as described above.
- ◆ Fit the new filters as described above.

Storing the accessories (fig. J)

- ◆ Press the accessories into the corresponding holders until they click into place.

Protecting the environment



Separate collection. This product must not be disposed of with normal household waste.

Should you find one day that your Black & Decker product needs replacement, or if it is of no further use to you, do not dispose of it with household waste. Make this product available for separate collection.



Separate collection of used products and packaging allows materials to be recycled and used again. Re-use of recycled materials helps prevent environmental pollution and reduces the demand for raw materials.

Local regulations may provide for separate collection of electrical products from the household, at municipal waste sites or by the retailer when you purchase a new product.

Black & Decker provides a facility for the collection and recycling of Black & Decker products once they have reached the end of their working life. To take advantage of this service please return your product to any authorised repair agent who will collect them on our behalf.

You can check the location of your nearest authorised repair agent by contacting your local Black & Decker office at the address indicated in this manual. Alternatively, a list of authorised Black & Decker repair agents and full details of our after-sales service and contacts are available on the Internet at: www.2helpU.com.

Battery (fig. K)



If you want to dispose of the product yourself, the battery must be removed as described below and disposed of in accordance with local regulations.

- ◆ Preferably discharge the battery by operating the appliance until the motor stops.
- ◆ Press the release button (2) and remove the dust collector (1).
- ◆ Remove the filters (10 & 11) by twisting them clockwise (fig. H).
- ◆ Remove the seven screws holding the body of the appliance together.
- ◆ Pull the cover half away from the location half.
- ◆ For catalogue numbers DV96VXZ & DV12VXZ,
 - prise the small cover from the filter cleaning slider and remove the slider securing screw.
 - lift out the full motor/fan/battery assembly
- ◆ Unplug the battery assembly from the main assembly.
- ◆ Place the battery in a suitable packaging to ensure that the terminals cannot be short-circuited.
- ◆ Take the battery to your service agent or to a local recycling station.

Once removed, the battery cannot be refitted.

Technical data

	DV9605TN H2	DV1205TN H2
Voltage	Vdc 9.6	12.0
Battery	Type NiCD/NiMH	NiCD/NiMH
Weight	kg 1.3	1.4
Head		
Weight	kg 1.6	1.7

Charger	*A135040I	CHA002014*	CHA00302*	*A140020D
Model	DV12	DV12	DV12	DV96
Input voltage	Vac 230	100-240	100-240	230
Output voltage	13.5 Vac	7.2-24 Vdc	7.2-24 Vdc	14 Vac
Output current	mA 400	85	130	200
Approx. charging time	h 24	24	24	24
Weight	kg 0.3	0.3	0.3	0.3

Level of sound pressure, measured according to EN60704-1: <70 dB(A)

Guarantee

Black & Decker is confident of the quality of its products and offers an outstanding guarantee. This guarantee statement is in addition to and in no way prejudices your statutory rights. The guarantee is valid within the territories of the Member States of the European Union and the European Free Trade Area.

If a Black & Decker product becomes defective due to faulty materials, workmanship or lack of conformity, within 24 months from the date of purchase, Black & Decker guarantees to replace defective parts, repair products subjected to fair wear and tear or replace such products to make sure of the minimum inconvenience to the customer unless:

- ◆ The product has been used for trade, professional or hire purposes.
- ◆ The product has been subjected to misuse or neglect.
- ◆ The product has sustained damage through foreign objects, substances or accidents.
- ◆ Repairs have been attempted by persons other than authorised repair agents or Black & Decker service staff.

To claim on the guarantee, you will need to submit proof of purchase to the seller or an authorised repair agent. You can check the location of your nearest authorised repair agent by contacting your local Black & Decker office at the address indicated in this manual.

Alternatively, a list of authorised Black & Decker repair agents and full details of our after-sales service and contacts are available on the Internet at:

www.2helpU.com

Please visit our website

www.blackanddecker.co.uk to register your new Black & Decker product and to be kept up to date on new products and special offers. Further information on the Black & Decker brand and our range of products is available at

www.blackanddecker.co.uk.

Bestimmungsgemäße Verwendung

Der Handstaubsauger Black & Decker Dustbuster® wurde zum Saugen von leichtem, trockenem Schmutz entwickelt. Dieses Gerät ist nicht für den gewerblichen Einsatz vorgesehen.

Patent- und Geschmacksmusterschutz

Gemeinschaftsgeschmacksmuster-Nummern:

- ◆ 607643-0001
- ◆ 607668-0001
- ◆ 607650-0001
- ◆ 897764-0001

Sicherheitshinweise

Achtung! Beachten Sie beim Umgang mit akku- oder batteriebetriebenen Geräten stets die grundlegenden Sicherheitshinweise, einschließlich der folgenden. Dadurch verhindern Sie so weit wie möglich das Entstehen von Bränden, das Auslaufen von Batterien oder Akkus sowie Sach- und Personenschäden.

- ◆ Lesen Sie diese Anleitung vollständig und aufmerksam durch, bevor Sie das Gerät zum ersten Mal verwenden.
- ◆ Der vorgesehene Verwendungszweck ist in dieser Anleitung beschrieben. Bei Verwendung von Zubehör oder Anbauteilen, die nicht in dieser Anleitung empfohlen sind, sowie bei der Bedienung des Geräts in Abweichung von den in dieser Anleitung beschriebenen Verfahren besteht Verletzungsgefahr.
- ◆ Heben Sie diese Anleitung auf.

Verwendung des Geräts

- ◆ Benutzen Sie das Gerät nicht zum Aufsaugen entzündlicher Flüssigkeiten oder Materialien.
- ◆ Betreiben Sie das Gerät nicht in der Nähe von Wasser.
- ◆ Tauchen Sie das Gerät nicht in Wasser.

- ◆ Ziehen Sie das Ladegerät nicht am Kabel aus der Netzsteckdose. Achten Sie darauf, dass das Kabel des Ladegeräts nicht in Kontakt mit starker Hitze, Öl oder scharfen Gegenständen kommt.
- ◆ Dieses Gerät darf nicht von Personen (einschließlich Kindern) mit eingeschränkten körperlichen, sensorischen oder geistigen Fähigkeiten sowie mangelnder Erfahrung und Wissen in Bezug auf dessen Gebrauch bedient werden, es sei denn, sie werden bei der Verwendung des Geräts von einer erfahrenen Person beaufsichtigt oder angeleitet. Kinder müssen beaufsichtigt werden, um sicherzustellen, dass sie nicht mit dem Gerät spielen.

Nach dem Gebrauch

- ◆ Ziehen Sie das Ladegerät aus der Netzsteckdose, bevor Sie das Ladegerät oder die Ladestation reinigen.
- ◆ Bewahren Sie das Gerät bei Nichtgebrauch an einem trockenen Ort auf.
- ◆ Kinder sollten keinen Zugang zu aufbewahrten Geräten haben.

Inspektion und Reparaturen

- ◆ Prüfen Sie das Gerät vor der Verwendung auf beschädigte oder defekte Teile. Prüfen Sie, ob Teile gebrochen sind, Schalter beschädigt sind oder ob andere Bedingungen vorliegen, die die Funktion beeinträchtigen könnten.
- ◆ Betreiben Sie das Gerät nicht, wenn ein Teil beschädigt oder defekt ist.
- ◆ Lassen Sie beschädigte oder defekte Teile in einer Vertragswerkstatt reparieren oder austauschen.
- ◆ Überprüfen Sie das Ladegerätkabel in regelmäßigen Abständen auf Beschädigungen. Tauschen Sie das Ladegerät aus, wenn das Kabel beschädigt oder defekt ist.

- ◆ Ersetzen oder entfernen Sie keine Teile, für die in dieser Anleitung keine entsprechende Beschreibung enthalten ist.

Sicherheit anderer Personen

- ◆ Dieses Gerät darf nicht von Personen (einschließlich Kindern) mit eingeschränkten körperlichen, sensorischen oder geistigen Fähigkeiten sowie mangelnder Erfahrung und Wissen in Bezug auf dessen Gebrauch bedient werden, es sei denn, sie werden bei der Verwendung des Geräts von einer für die Sicherheit verantwortlichen Person beaufsichtigt oder angeleitet.
- ◆ Kinder müssen beaufsichtigt werden, um sicherzustellen, dass sie nicht mit dem Gerät spielen.

Zusätzliche Sicherheitshinweise für Akkus und Ladegeräte

Akkus

- ◆ Auf keinen Fall öffnen.
- ◆ Achten Sie darauf, dass der Akku nicht mit Wasser in Berührung kommt.
- ◆ Setzen Sie den Akku keinen hohen Temperaturen aus.
- ◆ Nicht bei Temperaturen über 40°C lagern.
- ◆ Laden Sie den Akku ausschließlich bei Umgebungstemperaturen zwischen 10°C und 40°C.
- ◆ Verwenden Sie ausschließlich das mit dem Gerät gelieferte Ladegerät. Das Verwenden des falschen Ladegeräts kann zu einem Stromschlag oder dem Überhitzen des Akkus führen.
- ◆ Bei der Entsorgung von Akkus oder Batterien die Hinweise im Abschnitt „Umweltschutz“ beachten.
- ◆ Der Akku darf nicht durch mechanische Krafteinwirkung oder Belastungen beschädigt oder verformt werden. Andernfalls besteht Verletzungs- und Brandgefahr.
- ◆ Laden Sie beschädigte Akkus nicht auf.

- ◆ Unter extremen Bedingungen können Akkus undicht werden. Wenn Sie feststellen, dass aus dem Akku Flüssigkeit austritt, wischen Sie diese vorsichtig mit einem Tuch ab. Vermeiden Sie Hautkontakt.
- ◆ Beachten Sie nach Haut- oder Augenkontakt die folgenden Hinweise.

Achtung! Batteriesäure kann Sach- oder Personenschäden verursachen. Spülen Sie die Säure nach Hautkontakt sofort mit Wasser ab. Suchen Sie einen Arzt auf, wenn sich auf der Haut Rötungen, Reizungen oder andere Irritationen zeigen. Spülen Sie das Auge nach Augenkontakt sofort mit sauberem Wasser aus, und suchen Sie einen Arzt auf.

Ladegeräte

Das Ladegerät ist für eine bestimmte Spannung ausgelegt. Stellen Sie sicher, dass die Netzspannung der auf dem Typenschild des Geräts angegebenen Spannung entspricht.

Achtung! Ersetzen Sie das Ladegerät keinesfalls durch ein normales Netzkabel.

- ◆ Verwenden Sie das Black & Decker Ladegerät nur für den Akku des Geräts, mit dem es geliefert wurde. Andere Akkus könnten platzen und Sachschäden oder Verletzungen verursachen.
- ◆ Versuchen Sie keinesfalls, nicht aufladbare Batterien zu laden.
- ◆ Ist das Netzkabel beschädigt, muss es durch den Hersteller oder eine Black & Decker Vertragswerkstatt ausgetauscht werden, um eine mögliche Gefährdung zu vermeiden.
- ◆ Achten Sie darauf, dass das Ladegerät nicht mit Wasser in Berührung kommt.
- ◆ Versuchen Sie nicht, das Ladegerät zu öffnen.
- ◆ Nehmen Sie am Ladegerät keine Veränderungen vor.
- ◆ Während das Gerät/der Akku geladen wird, muss auf

ausreichende Belüftung geachtet werden.

Elektrische Sicherheit

Das Ladegerät ist für eine bestimmte Spannung ausgelegt. Stellen Sie sicher, dass die Netzspannung der auf dem Typenschild des Geräts angegebenen Spannung entspricht. Ersetzen Sie das Ladegerät keinesfalls durch ein normales Netzkabel.

Symbole auf dem Ladegerät



Lesen Sie diese Anleitung vollständig und aufmerksam durch.



Das Ladegerät ist schutzisoliert, daher ist keine Erdleitung erforderlich.



Ausfallsicherer Trenntrafo. Der Trafoausgang ist elektrisch von der Netzstromversorgung getrennt.



Bei extrem hohen Umgebungstemperaturen schaltet sich das Ladegerät automatisch ab. Das Ladegerät lässt sich danach nicht mehr in Betrieb nehmen. Es muss dann von der Netzstromversorgung getrennt und in einer Vertragswerkstatt repariert werden.



Die Ladestation darf nur im Innenbereich verwendet werden.

Merkmale

1. Staubbehälter
2. Entriegelungstaste
3. Ein-/Ausschalter
4. Ladeanzeige
5. Filterreiniger
6. Ladestation
7. Elektrischer Bürstenkopf

Abb. A

8. Polsterdüse
9. Fugendüse

Bestimmen des Produktes

Um welches Modell es sich bei Ihrem Gerät handelt, können Sie den Kenncodes der Katalognummer entnehmen. Die vorliegende Bedienungsanleitung gilt für folgende Katalognummern:

- ◆ DV96VXZ oder DV12VXZ.

Der Kenncode V gilt für folgende Geschmacksmuster:

- ◆ 05: Alle Geräte, die mit kleiner Fugendüse sowie Polsterdüse geliefert werden.

Der Kenncode X, dargestellt durch den Buchstaben T, wird für mit einer Turbobürste ausgestattete Geräte verwendet.

Der Kenncode Z, dargestellt durch den Buchstaben N, wird für mit NiMH-Akkus ausgestattete Geräte verwendet.

Installation

Anbringen der Ladestation an der Wand

Die Ladestation kann auf einer Arbeitsfläche abgelegt oder an einer Wand befestigt werden, so dass ein bequem erreichbarer Ort zum Aufbewahren und Laden des Geräts zur Verfügung steht.

Achten Sie bei der Wandmontage darauf, dass die gewählten Befestigungsmittel für den jeweiligen Wandbaustoff geeignet sind und das Gerätegewicht tragen können.

Hinweis: Beachten Sie, dass das Gerät nicht in die an der Wand befestigte

Ladestation passt, wenn der elektrische Bürstenkopf am Gerät angebracht ist.

Montage

Anbringen des elektrischen Bürstenkopfs

Der Bürstenkopf (7) ist für das Saugen von Teppichen und Teppichböden vorgesehen. Er kann für das Entfernen von Haaren, Faserresten oder ähnlichem Material besonders sinnvoll eingesetzt werden.

- ◆ Schieben Sie den Bürstenkopf (7) vorn in die Saugöffnung des Geräts ein. Achten Sie darauf, den Bürstenkopf vollständig hineinzuschieben.

Anbringen der Zubehörteile (Abb. A und B)

Diese Modelle werden mit einigen oder allen der folgenden Zubehörteile ausgeliefert:

- ◆ Fugendüse (9) für beengte Platzverhältnisse.
- ◆ Polsterdüse (8) für Möbel und Treppen.

So bringen Sie ein Zubehörteil an:

- ◆ Nehmen Sie das Zubehörteil aus der Aufbewahrungsvorrichtung am Gerät (Abb. J).
- ◆ Schieben Sie das Zubehörteil vorn in die Saugöffnung des Geräts ein.

Restrisiken

Für den Gebrauch dieses Geräts verbleiben zusätzliche Restrisiken, die möglicherweise nicht in den Sicherheitswarnungen genannt werden. Diese Risiken bestehen beispielsweise bei Missbrauch oder längerem Gebrauch.

Auch bei der Einhaltung der entsprechenden Sicherheitsvorschriften und der Verwendung aller Sicherheitsgeräte bestehen weiterhin bestimmte Restrisiken. Diese werden im Folgenden aufgeführt:

- ◆ Verletzungen, die durch das Berühren von sich drehenden/bewegenden Teilen verursacht werden.

- ◆ Verletzungen, die durch das Austauschen von Teilen, Messern oder Zubehör verursacht werden.
- ◆ Verletzungen, die durch längeren Gebrauch eines Geräts verursacht werden. Legen Sie bei längerem Gebrauch regelmäßige Pausen ein.
- ◆ Beeinträchtigung des Gehörs.
- ◆ Gesundheitsrisiken durch das Einatmen von Staub beim Gebrauch des Geräts (Beispielsweise bei Holzarbeiten, insbesondere Eiche, Buche und Pressspan).

Gebrauch

- ◆ Vor der erstmaligen Verwendung des Geräts muss der Akku mindestens 24 Stunden lang aufgeladen werden.
- ◆ Setzen Sie das Gerät in die Ladestation ein, wenn Sie es nicht verwenden.

Laden der Batterie (Abb. C)

Vor dem Laden des Akkus:

- ◆ Vergewissern Sie sich, dass das Gerät ausgeschaltet ist. Wenn sich der Ein-/Aus-Schalter (3) in der Stellung „Ein“ befindet, wird der Akku nicht geladen.
- ◆ Setzen Sie das Gerät wie in der Abbildung gezeigt in die Ladestation (6) ein.
- ◆ Schließen Sie das Ladegerät an eine Netzsteckdose an. Schalten Sie ggf. die Netzstromversorgung ein.

Die Ladeanzeige (4) leuchtet.

- ◆ Warten Sie mindestens 24 Stunden, damit der Akku vollständig aufgeladen wird.

Das Ladegerät kann sich während des Aufladens erwärmen. Dies ist normal. Das Ladegerät kann beliebig lange am Gerät angeschlossen bleiben. Die Ladeanzeige (4) leuchtet, solange das Gerät mit dem an die Steckdose angeschlossenen Ladegerät verbunden ist.

Achtung! Laden Sie den Akku nicht, wenn die Umgebungstemperatur unter 10°C oder über 40°C liegt.

Ein- und Ausschalten (Abb. D)

- ◆ Zum Einschalten des Geräts schieben Sie den Ein-/Aus-Schalter (3) nach vorn.
- ◆ Zum Ausschalten des Geräts schieben Sie den Ein-/Aus-Schalter (3) nach hinten.

Optimieren der Saugkraft (Abb. E)

Damit das Gerät stets die bestmögliche Saugkraft erzeugt, müssen die Filter während des Gebrauchs regelmäßig gereinigt werden.

- ◆ Schieben Sie den Filterreiniger (5) mehrere Male hoch und runter, um den Staub auszuschütteln, der die Filter (10 und 11) verstopft.

Reinigung und Pflege

Achtung! Reinigen Sie die Filter (10 und 11) in regelmäßigen Abständen.

Reinigen des Bürstenkopfs

- ◆ Entfernen Sie Haare und andere Verschmutzungen, die sich um die Walze gewickelt haben oder die sich seitlich von der Bürstenwalze angesammelt haben. Die Walze muss sich ungehindert drehen können. Verwenden Sie ggf. eine Schere.

Reinigen des Staubbehälters und der Filter (Abb. F - I)

Die Filter sind wieder verwendbar und sollten regelmäßig gereinigt werden.

- ◆ Drücken Sie die Entriegelungstaste (2), und nehmen Sie den Staubbehälter (1) ab.
- ◆ Leeren Sie den Staubbehälter (1) (Abb. G).
- ◆ Entfernen Sie die Filter (10 und 11) durch Drehen im Uhrzeigersinn (Abb. H).
- ◆ Trennen Sie die Filter (10 und 11).
- ◆ Entfernen Sie mit Hilfe einer Bürste losen Staub von den Filtern (10 und 11).
- ◆ Spülen Sie die Filter in warmer Seifenlauge aus (Abb. I).

Achtung! Tauchen Sie das Gerät nicht in Wasser.

- ◆ Staubbehälter (1) und Filter (10 und 11) müssen vor dem Wiedereinbau vollständig trocken sein.
- ◆ Bringen Sie die Filter (10 und 11) wieder am Gerät an. Drehen Sie die Filter dazu gegen den Uhrzeigersinn, bis diese an der Endposition einrasten.
- ◆ Bringen Sie den Staubbehälter (1) wieder am Gerät an. Achten Sie darauf, dass er hörbar einrastet.

Achtung! Betreiben Sie das Gerät nie ohne Filter. Die beste Reinigungswirkung erzielen Sie bei sauberen Filtern.

Ersetzen der Filter

Die Filter sollten alle 6 bis 9 Monate ersetzt werden, bei sichtbaren Verschleißspuren oder Beschädigungen auch früher. Ersatzfilter erhalten Sie im Black & Decker Fachhandel (Katalognr. VF70):

- ◆ Entfernen Sie die verbrauchten Filter, wie oben beschrieben.
- ◆ Bringen Sie die neuen Filter an, wie oben beschrieben.

Aufbewahren des Zubehörs (Abb. J)

- ◆ Setzen Sie die Zubehörteile in die dafür vorgesehenen Halterungen ein, bis sie einrasten.

Umweltschutz



Getrennte Entsorgung. Dieses Produkt darf keinesfalls mit dem Hausmüll entsorgt werden.

Sollten Sie Ihr Black & Decker Produkt eines Tages ersetzen oder nicht mehr benötigen, entsorgen Sie es nicht mit dem Hausmüll, sondern führen Sie das Produkt einer getrennten Sammlung zu.



Durch die separate Sammlung von ausgedienten Produkten und Verpackungsmaterialien können Rohstoffe recycelt und wieder verwendet werden. Die Wiederverwendung aufbereiteter Materialien trägt zur Vermeidung der

Umweltverschmutzung bei und senkt den Rohstoffbedarf.

Die Verordnung zur Abfallentsorgung Ihrer Gemeinde sieht möglicherweise vor, dass Elektrogeräte getrennt vom Hausmüll gesammelt, an der örtlichen Abfallentsorgungseinrichtung abgegeben oder beim Kauf eines neuen Produkts vom Fachhandel zur Entsorgung angenommen werden müssen.

Black & Decker nimmt Ihre ausgedienten Black & Decker Geräte gern zurück und sorgt für eine umweltfreundliche Entsorgung bzw. Wiederverwertung. Um diese Dienstleistung in Anspruch zu nehmen, geben Sie das Gerät bitte bei einer autorisierten Reparaturwerkstatt ab, die für uns die Einsammlung übernimmt.

Die Adresse der zuständigen Niederlassung von Black & Decker steht in dieser Anleitung. Diese teilt Ihnen gerne die nächstgelegene Vertragswerkstatt mit. Außerdem ist eine Liste der Vertragswerkstätten und aller Kundendienststellen von Black & Decker sowie der zuständigen Ansprechpartner im Internet zu finden unter:

www.2helpU.com.

Akku (Abb. K)



Wenn Sie das Gerät selbst entsorgen, müssen Sie den Akku wie unten beschrieben herausnehmen und ihn gemäß der Abfallentsorgungssatzung Ihrer Gemeinde entsorgen.

- ◆ Sorgen Sie dafür, dass der Akku vollständig entladen ist. Schalten Sie dazu das Gerät ein, und warten Sie, bis der Motor zum Stillstand kommt.
- ◆ Drücken Sie die Entriegelungstaste (2), und nehmen Sie den Staubbehälter (1) ab.
- ◆ Entfernen Sie die Filter (10 und 11) durch Drehen im Uhrzeigersinn (Abb. H).

- ◆ Lösen Sie die Schrauben, die das Gerät zusammenhalten.
- ◆ Ziehen Sie die Abdeckung zur Hälfte auf.
- ◆ Bei den Geräten mit den Katalognummern DV96VXZ und DV12VXZ:
 - Stemmen Sie die kleine Abdeckung am Filterreiniger auf, und entfernen Sie die Sicherungsschraube des Schiebers.
 - Lösen Sie sowohl den Motor als auch den Lüfter und den Akku vollständig aus dem Gerät.
- ◆ Lösen Sie den Akkubausatz aus der Hauptbaugruppe.
- ◆ Verpacken Sie die Batterie in einem geeigneten Behälter, sodass die Batteriekontakte nicht kurzgeschlossen werden können.
- ◆ Bringen Sie den Akku zu Ihrer Vertragswerkstatt oder zu einer Rücknahmestelle in Ihrer Nähe.

Ein entnommener Akku kann nicht wieder eingesetzt werden.

Technische Daten

	DV9605TN H2	DV1205TN H2
Spannung	Vdc 9,6	12,0
Akku	Typ NiCD/NiMH	NiCD/NiMH
Gewicht	kg 1,3	1,4
Kopf		
Gewicht	kg 1,6	1,7

Ladegerät	*A135040I	CHA002014*	CHA00302*	*A140020D
Modell	DV12	DV12	DV12	DV96
Eingangsspannung	Vac 230	100-240	100-240	230
Ausgangsspannung	13,5 Vac	7,2-24 Vdc	7,2-24 Vdc	14 Vac
Ausgangsstrom	mA 400	85	130	200
Ungefähre Dauer des Ladevorgangs (Mindestdauer)	Std 24	24	24	24
Gewicht	kg 0,3	0,3	0,3	0,3

Schalldruckpegel, gemessen nach EN60704-1: <70 dB(A)

Garantie

Black & Decker vertraut auf die Qualität der eigenen Geräte und bietet dem Käufer eine außergewöhnliche Garantie. Diese Garantiezusage versteht sich unbeschadet der gesetzlichen Gewährleistungsansprüche und schränkt diese keinesfalls ein. Sie gilt in sämtlichen Mitgliedstaaten der Europäischen Union und der Europäischen Freihandelszone EFTA. Tritt innerhalb von 24 Monaten ab Kaufdatum an einem Gerät von Black & Decker ein auf Material- oder Verarbeitungsfehler zurückzuführender Mangel auf, garantiert Black & Decker den Austausch defekter Teile, die Reparatur von Geräten mit üblichem Verschleiß bzw. den Austausch eines mangelhaften Gerätes, ohne dass dem Kunden dabei mehr als unvermeidlich Unannehmlichkeiten entstehen, allerdings vorbehaltlich folgender Ausnahmen:

- ◆ wenn das Gerät gewerblich, beruflich oder im Verleihgeschäft benutzt wurde;
- ◆ wenn das Gerät missbräuchlich verwendet oder mit mangelnder Sorgfalt behandelt wurde;

- ◆ wenn das Gerät durch irgendwelche Fremdeinwirkung beschädigt wurde;
- ◆ wenn ein unbefugter Reparaturversuch durch anderes Personal als das einer Vertragswerkstatt oder des Black & Decker Kundendienstes unternommen wurde.

Zur Inanspruchnahme dieser Garantie ist dem Verkäufer bzw. der Vertragswerkstatt ein Kaufnachweis vorzulegen. Die Adresse der zuständigen Niederlassung von Black & Decker steht in dieser Anleitung. Diese teilt Ihnen gerne die nächstgelegene Vertragswerkstatt mit. Außerdem ist eine Liste der Vertragswerkstätten und aller Kundendienststellen von Black & Decker sowie der zuständigen Ansprechpartner im Internet zu finden unter:

www.2helpU.com

Bitte besuchen Sie unsere Webseite **www.blackanddecker.de**, um Ihr neues Black & Decker-Produkt zu registrieren und über neue Produkte und Sonderangebote informiert zu werden. Weitere Informationen über die Marke Black & Decker und unsere Produkte finden Sie unter **www.blackanddecker.de**.

Utilisation

Votre aspirateur à main Dustbuster Black & Decker® est conçu pour les petits travaux de nettoyage. Il est destiné à une utilisation exclusivement domestique.

Conception et brevet

Numéros d'enregistrement de conception EC :

- ◆ 607643-0001
- ◆ 607668-0001
- ◆ 607650-0001
- ◆ 897764-0001

Consignes de sécurité

Attention ! De simples précautions de sécurité sont à prendre pour l'utilisation d'appareil alimenté par batterie. Les conseils suivants doivent toujours être appliqués, ceci afin de réduire le risque d'incendie, les fuites de batterie, les blessures et les dommages matériels.

- ◆ Lisez attentivement et entièrement le manuel avant d'utiliser l'appareil.
- ◆ Ce manuel décrit comment utiliser cet appareil. L'utilisation d'un accessoire ou d'une fixation, ou bien l'utilisation de cet appareil à d'autres fins que celles recommandées dans ce manuel d'instruction peut présenter un risque de blessures.
- ◆ Gardez ce manuel pour référence ultérieure.

Utilisation de votre appareil

- ◆ N'utilisez pas cet appareil pour aspirer des liquides ou des matériaux qui pourraient prendre feu.
- ◆ N'utilisez pas l'appareil près d'une source d'eau.
- ◆ Ne plongez pas l'appareil dans l'eau.
- ◆ Ne tirez jamais sur le fil du chargeur pour le débrancher. Maintenez le fil du chargeur éloigné de toute source de chaleur, de zones grasses et de bords tranchants.
- ◆ Cet appareil ne doit pas être utilisé par des personnes (y compris les enfants) ayant des déficiences physiques, mentales ou sensorielles. Cette consigne s'applique aussi aux

personnes manquant d'expérience et de connaissance du matériel, à moins que celles-ci n'aient reçu les instructions appropriées ou qu'elles soient encadrées par une personne responsable de leur sécurité pour utiliser l'appareil. Ne laissez jamais les enfants sans surveillance pour éviter qu'ils ne jouent avec cet appareil.

Après l'utilisation

- ◆ Débranchez le chargeur pour le nettoyer ou pour nettoyer son support.
- ◆ Quand il n'est pas utilisé, l'appareil doit être rangé dans un endroit sec.
- ◆ Les enfants ne doivent pas avoir accès aux appareils rangés.

Vérification et réparations

- ◆ Avant l'utilisation, vérifiez si l'appareil est en bon état ou si aucune pièce ne manque. Recherchez des pièces cassées, des boutons endommagés et d'autres anomalies susceptibles de nuire au bon fonctionnement de l'appareil.
- ◆ N'utilisez pas l'appareil si une pièce est endommagée ou défectueuse.
- ◆ Faites réparer ou remplacer les pièces défectueuses ou endommagées par un réparateur agréé.
- ◆ Vérifiez régulièrement l'état du fil du chargeur. Si le fil est endommagé ou défectueux, remplacez le chargeur.
- ◆ Ne tentez jamais de retirer ou de remplacer des pièces autres que celles citées dans ce manuel.

Sécurité des personnes

- ◆ Cet appareil ne doit pas être utilisé par des personnes (y compris les enfants) ayant des déficiences physiques, mentales ou sensorielles. Cette consigne s'applique aussi aux personnes manquant d'expérience et de connaissance du matériel, à moins que celles-ci n'aient reçu les instructions appropriées ou qu'elles ne soient encadrées par une

personne responsable de leur sécurité pour utiliser l'appareil.

- ◆ Ne laissez jamais les enfants sans surveillance pour éviter qu'ils ne jouent avec cet appareil.

Consignes de sécurité supplémentaires – batteries et chargeurs

Batteries

- ◆ En aucun cas, n'essayez d'ouvrir l'appareil.
- ◆ Ne mettez pas la batterie en contact avec l'eau.
- ◆ N'approchez pas la batterie d'une source de chaleur.
- ◆ Ne le rangez pas dans des endroits où la température peut dépasser 40°C.
- ◆ Ne chargez qu'à température ambiante comprise entre 10°C et 40°C.
- ◆ N'utilisez que le chargeur fournis avec l'appareil/outil. Le non respect de cette consigne pourrait entraîner un électrotraumatisme ou une surchauffe de la batterie.
- ◆ Pour la mise au rebut des batteries, suivez les instructions données dans la section « Protection de l'environnement ».
- ◆ Ne déformez/n'endommagez pas le bloc batterie en le perçant ou en le cognant, ceci pourrait entraîner des blessures et un incendie.
- ◆ Ne chargez pas les batteries endommagées.
- ◆ Dans des conditions extrêmes, une batterie peut couler. Si vous détectez une fuite, utilisez un chiffon pour essuyer le liquide avec précaution. Évitez tout contact avec la peau.
- ◆ En cas de contact avec la peau ou les yeux, suivez les instructions ci-dessous.

Attention ! Le liquide de batterie peut provoquer des blessures ou des dommages. En cas de contact avec la peau, rincez immédiatement à l'eau. Si des rougeurs, une douleur ou une irritation se produisent, consultez un

médecin. En cas de contact avec les yeux, rincez à l'eau et consultez immédiatement un médecin.

Chargeurs

Votre chargeur doit être utilisé avec une tension spécifique. Vérifiez toujours si la tension indiquée sur la plaque signalétique de l'appareil correspond à la tension de secteur.

Attention ! N'essayez jamais de remplacer le chargeur par une prise secteur.

- ◆ N'utilisez votre chargeur Black & Decker que pour charger la batterie fournie avec l'appareil/outil. D'autres batteries pourraient exploser, provoquant des blessures et des dommages.
- ◆ Ne tentez jamais de recharger des batteries non rechargeables.
- ◆ Si le câble d'alimentation est endommagé, il doit être remplacé par le fabricant ou par un centre de réparation agréé Black & Decker pour éviter tout risque.
- ◆ Ne mettez pas le chargeur en contact avec l'eau.
- ◆ N'ouvrez pas le chargeur.
- ◆ Ne testez pas le chargeur.
- ◆ Pour le rechargement, placez l'appareil/outil/batterie dans un endroit correctement aéré.

Sécurité électrique

Votre chargeur doit être utilisé avec une tension précise. Vérifiez toujours si le voltage indiqué sur la plaque signalétique de l'appareil correspond à la tension de secteur. N'essayez jamais de remplacer le chargeur par une prise secteur.

Symboles sur le chargeur



Lisez attentivement le manuel complet.



Votre chargeur est doublement isolé; par conséquent, aucun câble de terre n'est nécessaire.



Transformateur avec isolation de sécurité. L'alimentation secteur est électriquement indépendante de la sortie du transformateur.



Le chargeur est automatiquement mis hors service si la température ambiante devient trop élevée. Il est alors impossible de l'utiliser. Débranchez la base du chargeur de l'alimentation secteur pour la faire réparer dans un centre agréé.



Le support de charge ne peut être utilisé qu'à l'intérieur

Caractéristiques

1. Collecteur de poussière
2. Bouton de dégagement
3. Bouton marche/arrêt (On/Off)
4. Témoin de charge
5. Bouton de nettoyage du filtre
6. Support de charge
7. Brosse électrique

Figure A

8. Petite brosse
9. Suceur plat

Identification de l'appareil

La conception du modèle peut être déterminée d'après les suffixes utilisés dans le numéro du catalogue. Les numéros de catalogue suivants sont décrits dans ce manuel :

- ◆ DV96VXZ ou DV12VXZ.

Le suffixe V correspond aux conceptions suivantes :

- ◆ 05 : tous les appareils avec un petit suceur plat et une petite brosse.

Le suffixe X représenté par la lettre T est utilisé pour les modèles munis d'une brosse turbo

Le suffixe Z représenté par la lettre N est utilisé pour les modèles munis d'une batterie NiMH.

Installation

Fixation du support de charge au mur

Pour faciliter le rangement et la mise en charge de l'appareil, le support de charge peut être installé sur une surface de travail ou au mur.

Pour l'installation au mur, assurez-vous que la fixation convient au type de mur et au poids de l'appareil.

Remarque : veuillez noter que si l'appareil est muni de la brosse électrique, il ne peut pas être fixé sur le support de charge mural.

Assemblage

Fixation de la brosse électrique

La brosse électrique (7) sert à aspirer les moquettes. Elle est très utile pour aspirer les cheveux, les fils, etc.

- ◆ Insérez la brosse électrique (7) à l'avant de l'appareil. Assurez-vous que la brosse électrique est bien fixée.

Installation des accessoires (figure A et B)

Ces modèles sont livrés avec les accessoires suivants (pas nécessairement tous) :

- ◆ Un suceur plat (9) pour les espaces restreints.
- ◆ Une brosse (8) pour les meubles et les escaliers.

Pour mettre en place un accessoire, effectuez ce qui suit :

- ◆ Sortez les accessoires du boîtier sur l'appareil (figure J).
- ◆ Insérez l'accessoire approprié à l'avant de l'appareil.

Risques résiduels

L'utilisation d'un outil non mentionné dans les consignes de sécurité données peut

entraîner des risques résiduels supplémentaires. Ces risques peuvent survenir si l'outil est mal utilisé, si l'utilisation est prolongée, etc.

Malgré l'application des normes de sécurité correspondantes et la présence de dispositifs de sécurité, les risques résiduels suivants ne peuvent être évités.

Ceci comprend :

- ◆ Les blessures dues au contact avec une pièce mobile/en rotation.
- ◆ Les blessures causées en changeant des pièces, lames ou accessoires.
- ◆ Les blessures dues à l'utilisation prolongée d'un outil. Une utilisation prolongée de l'outil nécessite des pauses régulières.
- ◆ Déficience auditive.
- ◆ Risques pour la santé causés par l'inhalation de poussières produites pendant l'utilisation de l'outil (exemple : travail avec du bois, surtout le chêne, le hêtre et les panneaux en MDF).

Utilisation

- ◆ Avant la première utilisation, la batterie doit être chargée pendant au moins 24 heures.
- ◆ Placez l'appareil sur le support de charge dès qu'il n'est pas utilisé.

Charge de la batterie (figure C)

Avant de charger la batterie :

- ◆ Assurez-vous que l'appareil est débranché. La batterie ne se recharge pas si le bouton marche/arrêt (3) est en position de marche.
- ◆ Placez l'appareil sur le support de charge (6), comme indiqué.
- ◆ Branchez le chargeur. Branchez au secteur.

Le témoin de charge (4) clignote.

- ◆ Laissez l'appareil en charge pendant au moins 24 heures.

Pendant le chargement, le chargeur peut chauffer. Ceci est un phénomène normal qui ne représente aucun problème.

L'appareil peut rester branché au chargeur en permanence. Le témoin de

charge (4) clignote aussi longtemps que l'appareil est branché au chargeur.

Attention ! Ne chargez pas la batterie si la température ambiante est inférieure à 10°C ou supérieure à 40°C.

Mise en marche et arrêt (figure D)

- ◆ Pour mettre l'appareil en marche, glissez le bouton marche/arrêt (3) vers l'avant.
- ◆ Pour arrêter l'appareil, glissez le bouton marche/arrêt (3) vers l'arrière.

Force d'aspiration maximum (figure E)

Pour garder la force d'aspiration maximum, les filtres doivent être nettoyés régulièrement.

- ◆ Glissez le bouton de nettoyage du filtre (5) vers le haut et vers le bas plusieurs fois pour faire sortir la poussière des filtres (10 et 11).

Nettoyage et entretien

Attention ! Nettoyez régulièrement les filtres (10 et 11).

Nettoyage de la brosse électrique

- ◆ Retirez les cheveux ou autres débris enroulés autour ou coincés près de la brosse pour que celle-ci puisse tourner librement. Utilisez une paire de ciseaux, le cas échéant.

Nettoyage du collecteur de poussière et des filtres (figure F - I)

Les filtres sont réutilisables et doivent être nettoyés régulièrement.

- ◆ Appuyez sur le bouton de dégagement (2) et retirez le collecteur de poussière (1).
- ◆ Videz le collecteur de poussière (1) (figure G).
- ◆ Retirez les filtres (10 et 11) en les tournant dans le sens des aiguilles d'une montre (figure H).
- ◆ Séparez les filtres (10 et 11).
- ◆ Brossez la poussière déposée sur les filtres (10 et 11).
- ◆ Nettoyez les filtres à l'eau chaude et au savon (figure I).

Attention ! Ne plongez pas l'appareil dans l'eau.

- ◆ Assurez-vous que le collecteur de poussière (1) et les filtres (10 et 11) sont complètement secs.
- ◆ Réinstallez les filtres (10 et 11) sur l'appareil, en les tournant dans le sens contraire des aiguilles d'une montre jusqu'à ce qu'ils soient bloqués.
- ◆ Remontez le collecteur de poussière (1) sur l'appareil. Assurez-vous que le collecteur de poussière est bien enclenché.

Attention ! N'utilisez jamais l'appareil sans les filtres. Pour récupérer le maximum de poussière, utilisez toujours les filtres propres.

Remplacement des filtres

Les filtres doivent être remplacés tous les 6 à 9 mois et chaque fois qu'ils sont usés ou endommagés. Vous trouverez des filtres de rechange chez votre revendeur Black & Decker (cat. N° VF70) :

- ◆ Retirez les filtres usés, comme décrit ci-dessus.
- ◆ Installez les filtres neufs, comme décrit ci-dessus.

Rangement des accessoires (figure J)

- ◆ Enclenchez les accessoires dans les supports appropriés.

Protection de l'environnement



Recyclage. Cet appareil ne doit pas être jeté avec les déchets ménagers.

Si votre appareil Black & Decker doit être remplacé ou si vous n'en avez plus l'usage, ne le jetez pas avec les ordures ménagères. Songez à la protection de l'environnement et recyclez-les.



La collecte séparée des produits et des emballages usagés permet de recycler et de réutiliser des matériaux. La réutilisation de matériaux recyclés évite la pollution de l'environnement et réduit la

demande de matières premières.

Des réglementations locales peuvent stipuler la collecte séparée des produits électriques et des produits ménagers, dans des déchetteries municipales ou par le revendeur lorsque vous achetez un nouveau produit.

Black & Decker offre une solution permettant de recycler les produits Black & Decker lorsqu'ils ont atteint la fin de leur cycle de vie. Pour pouvoir profiter de ce service, veuillez retourner votre produit à un réparateur agréé qui se chargera de le collecter pour nous.

Pour connaître l'adresse du réparateur agréé le plus proche de chez vous, contactez le bureau Black & Decker à l'adresse indiquée dans ce manuel. Vous pourrez aussi trouver une liste de réparateurs agréés de Black & Decker et de plus amples détails concernant notre service après-vente sur le site Internet : www.2helpU.com.

Batterie (figure K)



Si vous jetez l'appareil, vous devez retirer la batterie, comme décrit ci-dessous, et la mettre au rebut conformément aux réglementations locales.

- ◆ Il est préférable de décharger complètement la batterie jusqu'à l'arrêt du moteur de l'appareil.
- ◆ Appuyez sur le bouton de dégagement (2) et retirez le collecteur de poussière (1).
- ◆ Retirez les filtres (10 et 11) en les tournant dans le sens des aiguilles d'une montre (figure H).
- ◆ Retirez les sept vis qui fixent l'ensemble des parties de l'appareil.
- ◆ Tirez la moitié du couvercle.
- ◆ Pour les numéros de catalogue DV96VXZ et DV12VXZ,
 - séparez le petit couvercle du bouton de nettoyage de filtre et retirez la vis de fixation.

- sortez complètement l'ensemble moteur/ventilateur/batterie.
- ◆ Débranchez la batterie de l'ensemble principal.
- ◆ Placez la batterie dans un emballage approprié pour éviter un court-circuit des bornes.

- ◆ Déposez la batterie chez votre réparateur ou dans un centre de recyclage local.

Une fois retirée, la batterie ne peut être remplacée.

Caractéristiques techniques

	DV9605TN H2	DV1205TN H2
Tension	Vcc 9,6	12,0
Batterie	Type NiCD/NiMH	NiCD/NiMH
Poids	kg 1,3	1,4
Brosse		
Poids	kg 1,6	1,7

Chargeur	*A135040I	CHA002014*	CHA00302*	*A140020D
Modèle	DV12	DV12	DV12	DV96
Tension d'entrée	Vca 230	100-240	100-240	230
Tension de sortie	13,5 Vca	7,2-24 Vcc	7,2-24 Vcc	14 Vca
Courant de sortie	mA 400	85	130	200
Durée approximative de charge	h 24	24	24	24
Poids	kg 0,3	0,3	0,3	0,3

Niveau de pression sonore, en fonction de la norme EN 60704-1 : <70 dB(A)

Garantie

Black & Decker vous assure la qualité de ses produits et vous offre une garantie très étendue. Ce certificat de garantie est un document supplémentaire et ne peut en aucun cas se substituer à vos droits légaux. La garantie est valable sur tout le territoire des États Membres de l'Union Européenne et de la Zone de Libre Échange Européenne.

Si un produit Black & Decker s'avère défectueux en raison de matériaux en mauvais état, d'une erreur humaine, ou d'un manque de conformité dans les 24 mois suivant la date d'achat, Black & Decker garantit le remplacement des pièces défectueuses, la réparation des produits usés ou cassés ou remplace ces produits à la convenance du client, sauf dans les circonstances suivantes :

- ◆ Le produit a été utilisé dans un but commercial, professionnel, ou a été loué.

- ◆ Le produit a été mal utilisé ou avec négligence.
- ◆ Le produit a subi des dommages à cause de corps étrangers, de substances ou d'accidents.
- ◆ Des réparations ont été tentées par des techniciens ne faisant pas partie du service technique de Black & Decker.

Pour avoir recours à la garantie, il est nécessaire de fournir une preuve d'achat au vendeur ou à un réparateur agréé. Pour connaître l'adresse du réparateur agréé le plus proche de chez vous, contactez le bureau Black & Decker à l'adresse indiquée dans ce manuel. Vous pourrez aussi trouver une liste de réparateurs agréés de Black & Decker et de plus amples détails sur notre service après-vente sur le site Internet à l'adresse suivante :

www.2helpU.com

Visitez notre site Web

www.blackanddecker.fr pour enregistrer votre nouveau produit Black & Decker et être informé des nouveaux produits et des offres spéciales. Pour plus d'informations concernant la marque Black & Decker et notre gamme de produits, consultez notre site **www.blackanddecker.fr**.

Uso previsto

L'aspirapolvere portatile Black & Decker Dustbuster® è stato progettato per la pulizia leggera e a secco esclusivamente per uso domestico.

Informazioni su progetto e brevetto

Numeri di registrazione del modello nella Comunità europea:

- ◆ 607643-0001
- ◆ 607668-0001
- ◆ 607650-0001
- ◆ 897764-0001

Istruzioni di sicurezza

Attenzione! Quando si usano elettrodomestici alimentati a batteria, osservare sempre le normali precauzioni di sicurezza per ridurre il rischio di incendio, di perdita di liquido dalle batterie, di lesioni personali e di danni materiali.

- ◆ Leggere attentamente il presente manuale prima di usare l'elettrodomestico.
- ◆ L'uso previsto è descritto nel presente manuale. Se questo elettrodomestico viene usato con accessori o per usi diversi da quelli raccomandati nel presente manuale d'uso, si potrebbero verificare lesioni personali.
- ◆ Conservare il presente manuale per futura consultazione.

Utilizzo dell'elettrodomestico

- ◆ Non usare l'elettrodomestico per aspirare liquidi o materiali che potrebbero incendiarsi.
- ◆ Non usare l'elettrodomestico vicino all'acqua.
- ◆ Non immergere l'elettrodomestico in acqua.
- ◆ Non tirare mai il filo per scollegare l'alimentatore dalla presa. Tenere il filo dell'alimentatore lontano da calore, olio e bordi taglienti.
- ◆ Questo elettrodomestico non è stato progettato per impiego da parte di persone (o bambini) portatrici di handicap fisici, psichici o sensoriali o che non abbiano la dovuta

esperienza o conoscenza, a meno che non siano seguite o opportunamente istruite sul suo impiego da parte di una persona responsabile della loro sicurezza. Controllare che i bambini non giochino con l'elettrodomestico.

Dopo l'impiego

- ◆ Scollegare l'alimentatore dalla spina prima di pulire l'alimentatore o la base di ricarica.
- ◆ Quando non è usato, l'elettrodomestico deve essere conservato in un luogo asciutto.
- ◆ Gli elettrodomestici non devono essere riposti alla portata dei bambini.

Ispezione e riparazioni

- ◆ Prima dell'impiego, controllare che l'elettrodomestico non sia danneggiato e non presenti parti difettose. Controllare che non vi siano parti rotte, che gli interruttori non siano danneggiati e che non vi siano altre condizioni che potrebbero avere ripercussioni sulle prestazioni.
- ◆ Non usare l'elettrodomestico se alcune parti sono danneggiate o difettose.
- ◆ Far riparare o sostituire le parti danneggiate o difettose da un tecnico autorizzato.
- ◆ Controllare a intervalli regolari che il filo dell'alimentatore non sia danneggiato. Sostituire l'alimentatore se il filo è danneggiato o difettoso.
- ◆ Non tentare di smontare o sostituire qualsiasi parte ad eccezione di quelle specificate nel presente manuale.

Sicurezza altrui

- ◆ Questo elettrodomestico non è stato progettato per impiego da parte di persone (o bambini) portatrici di handicap fisici, psichici o sensoriali o che non abbiano la dovuta esperienza o conoscenza, a meno che non siano seguite o

opportunamente istruite sul suo utilizzo da parte di una persona responsabile della loro sicurezza.

- ◆ Controllare che i bambini non giochino con l'elettrodomestico.

Istruzioni di sicurezza aggiuntive per batterie e alimentatori

Batterie

- ◆ Non tentare di aprirle per qualsiasi ragione.
- ◆ Non lasciare che la batteria si bagni.
- ◆ Non esporre la batteria al calore.
- ◆ Non riporre in luoghi dove la temperatura potrebbe superare i 40°C.
- ◆ Caricare solo a temperature ambiente tra 10°C e 40°C.
- ◆ Caricare solo usando l'alimentatore fornito con l'apparecchio/elettrodomestico. L'utilizzo dell'alimentatore sbagliato potrebbe causare scosse elettriche o il surriscaldamento della batteria.
- ◆ Quando si smaltiscono le batterie, seguire le istruzioni riportate al capitolo "Protezione dell'ambiente".
- ◆ Non danneggiare/deformare il battery pack forandolo o colpendolo per evitare il rischio di lesioni o di incendio.
- ◆ Non caricare le batterie danneggiate.
- ◆ In condizioni estreme, si potrebbe verificare la perdita di liquido dalle batterie. Se si nota la presenza di liquido sulle batterie, pulirle con attenzione con uno straccio. Evitare il contatto con l'epidermide.
- ◆ In caso di contatto con l'epidermide o gli occhi, seguire le istruzioni riportate di seguito.

Attenzione! Il liquido della batteria può causare lesioni alle persone o danni alle cose. In caso di contatto con la pelle, risciacquare immediatamente con acqua. In caso di rossore, dolore o irritazione, rivolgersi immediatamente a un medico. In caso di contatto con gli occhi, risciacquarli immediatamente con acqua pulita e consultare un medico.

Alimentatori

L'alimentatore è stato progettato per una tensione specifica. Controllare sempre che la tensione di rete corrisponda alla tensione indicata sulla targhetta dei dati tecnici.

Attenzione! Non tentare mai di sostituire l'alimentatore con una normale spina elettrica.

- ◆ Usare l'alimentatore Black & Decker solo per caricare la batteria nell'apparecchio/elettrodomestico con il quale è stato fornito. Altre batterie potrebbero scoppiare causando lesioni alle persone e danni.
- ◆ Non tentare mai di caricare batterie non ricaricabili.
- ◆ In caso di danneggiamento del filo di alimentazione, è necessario farlo riparare dal fabbricante o presso un centro assistenza Black & Decker autorizzato in modo da evitare eventuali pericoli.
- ◆ Non lasciare che l'alimentatore si bagni.
- ◆ Non aprire l'alimentatore.
- ◆ Non collegare l'alimentatore a sonde.
- ◆ L'apparecchio/elettrodomestico/batteria devono essere lasciati in una zona ben ventilata durante la carica.

Sicurezza elettrica

L'alimentatore è stato progettato per una tensione specifica. Controllare sempre che la tensione di rete corrisponda alla tensione indicata sulla targhetta dati. Non tentare mai di sostituire l'alimentatore con una normale spina di rete.

Simboli sull'alimentatore



Leggere attentamente questo manuale nella sua totalità.



Il doppio isolamento di cui è provvisto l'alimentatore rende superfluo il filo di terra.



Trasformatore di isolamento con protezione incorporata. L'alimentazione di rete è separata elettricamente dall'erogazione del trasformatore.



Il caricatore si spegne automaticamente se la temperatura ambiente aumenta eccessivamente. Di conseguenza il caricatore diventa inutilizzabile. In questi casi la base di ricarica deve essere scollegata dall'alimentazione di rete e portata presso un centro di assistenza autorizzato per le necessarie riparazioni.



La base di ricarica può solo essere usata all'interno.

Caratteristiche

1. Bocchetta raccogli-polvere
2. Pulsante di rilascio
3. Interruttore di accensione
4. Indicatore di carica
5. Pulsante di pulitura filtro
6. Base di ricarica
7. Spazzola motorizzata

Fig. A

8. Spazzola a pennello
9. Bocchetta a lancia

Identificazione del prodotto

Il modello può essere determinato dai suffissi dei codici usati per i numeri di catalogo. Nel presente manuale si descrivono i seguenti numeri di catalogo:

- ◆ DV96VXZ o DV12VXZ.

Il suffisso V corrisponde ai seguenti modelli:

- ◆ 05: Tutti gli elettrodomestici sono forniti con bocchetta a lancia e spazzola.

Il suffisso X indicato dalla lettera T è usato per i modelli dotati di turbospazzola.

Il suffisso Z indicato dalla lettera N è usato per i modelli dotati di batteria NiMH.

Montaggio

Montaggio a parete della base di ricarica

La base di ricarica può essere sistemata su un piano di lavoro o fissata a parete per avere un posto comodo dove riporre l'elettrodomestico e dove ricaricarlo.

Quando si fissa la base sulla parete, accertarsi che il metodo usato sia idoneo al tipo di parete e al peso dell'elettrodomestico.

Nota: Tenere presente che l'aspirapolvere non può essere montato sulla base di ricarica a parete con la spazzola motorizzata attaccata.

Assemblaggio

Montaggio della spazzola motorizzata

La spazzola (7) consente di pulire le moquette, ed è particolarmente indicata per aspirare capelli, fili, e così via.

- ◆ Inserire la spazzola nella parte frontale dell'elettrodomestico. Accertarsi che la spazzola sia completamente inserita.

Montaggio degli accessori (figg. A e B)

Questi modelli sono forniti con alcuni o con tutti gli accessori elencati di seguito.

- ◆ Una bocchetta a lancia (9) per spazi limitati.
- ◆ Una spazzola (8) per mobili e scale

Gli accessori si montano come descritto di seguito:

- ◆ Prendere l'accessorio dall'apposita sede sull'elettrodomestico (fig. J).
- ◆ Inserire l'accessorio desiderato nella parte frontale dell'elettrodomestico.

Rischi residui

Altri rischi residui che possono sorgere durante l'impiego dell'elettrodomestico e che possono non essere stati contemplati dagli allegati avvisi di sicurezza. Tali rischi possono sorgere a seguito di un uso prolungato o improprio, ecc.

Perfino adottando gli appositi regolamenti di sicurezza e utilizzando i dispositivi di sicurezza, certi rischi residui non possono essere evitati. Essi comprendono:

- ◆ Lesioni causate o subite a seguito del contatto con parti rotanti/in movimento.
- ◆ Lesioni causate o subite durante la sostituzione di parti, lame o accessori.
- ◆ Lesioni causate dall'impiego prolungato di un elettrodomestico. Quando si usa qualsiasi elettrodomestico per lunghi periodi, accertarsi di fare regolarmente delle pause.
- ◆ Problemi di udito.
- ◆ Rischi per la salute causati dall'aspirazione di polvere generata dall'utilizzo dell'elettrodomestico (ad esempio quando si lavora con il legno, in modo particolare quello di quercia, faggio o l'MDF).

Utilizzo

- ◆ Prima dell'utilizzo, caricare la batteria per almeno 24 ore.
- ◆ Appoggiare sempre l'elettrodomestico sulla base di ricarica quando non è utilizzato.

Ricarica della batteria (fig. C)

Prima della ricarica della batteria:

- ◆ Accertarsi che l'elettrodomestico sia spento. La batteria non si ricarica se l'interruttore di accensione (3) è regolato su acceso.
- ◆ Appoggiare l'elettrodomestico sulla base di ricarica (6) come illustrato.
- ◆ Collegare l'alimentatore. Accendere l'alimentazione di rete.

L'indicatore di carica (4) si accende.

- ◆ Lasciare che l'elettrodomestico si ricarichi per almeno 24 ore.

Durante la ricarica, l'alimentatore potrebbe riscaldarsi. Si tratta di un fatto normale che non indica che vi è un problema. L'elettrodomestico può essere lasciato collegato indefinitamente all'alimentatore. L'indicatore di carica (4)

si accende se l'elettrodomestico è collegato all'alimentatore a sua volta collegato a una presa elettrica.

Attenzione! Non caricare la batteria a temperature ambiente inferiori a 10°C o superiori a 40°C.

Accensione e spegnimento (fig. D)

- ◆ Per accendere l'elettrodomestico, far scorrere in avanti l'interruttore di accensione (3).
- ◆ Per spegnere l'elettrodomestico, far scorrere indietro l'interruttore di accensione (3).

Massima forza aspirante (fig. E)

Per poter mantenere la massima forza aspirante, pulire regolarmente i filtri durante l'impiego.

- ◆ Far scorrere varie volte su e giù il pulsante di pulizia del filtro (5) per far uscire la polvere che intasa i filtri (10 e 11).

Pulitura e manutenzione

Attenzione! Pulire regolarmente i filtri (10 e 11).

Pulitura della spazzola

- ◆ Rimuovere capelli o altri rifiuti bloccati o avvolti attorno al rullo di raccolta in modo che il rullo possa ruotare liberamente. Usare un paio di forbici se necessario.

Pulitura della bocchetta raccogli-polvere e dei filtri (fig. F - I)

I filtri sono riutilizzabili e devono essere puliti regolarmente.

- ◆ Premere il pulsante di rilascio (2) ed estrarre la bocchetta raccogli-polvere (1).
- ◆ Svuotare la bocchetta raccogli-polvere (1) (fig. G).
- ◆ Estrarre i filtri (10 e 11) ruotandoli in senso orario (fig. H).
- ◆ Dividere i filtri (10 e 11)
- ◆ Spazzolare via l'eventuale polvere presente sui filtri (10 e 11).
- ◆ Lavare i filtri in acqua calda e detergente adatto (fig. I).

Attenzione! Non immergere l'elettrodomestico in acqua.

- ◆ Accertarsi che la bocchetta raccogli-polvere (1) e i filtri (10 e 11) siano asciutti.
- ◆ Rimettere i filtri (10 e 11) sull'elettrodomestico, ruotandoli in senso antiorario fino a quando si insediano.
- ◆ Rimontare la bocchetta raccogli-polvere (1) sull'elettrodomestico. Accertarsi che la bocchetta raccogli-polvere si agganci in sede.

Attenzione! Non usare mai l'elettrodomestico senza i filtri. La raccolta ottimale della polvere si ottiene solo con i filtri puliti.

Sostituzione dei filtri

I filtri devono essere sostituiti ogni 6 - 9 mesi e quando sono usurati o danneggiati. I filtri di ricambio sono reperibili presso il rivenditore Black & Decker (n. cat. VF70).

- ◆ Estrarre i vecchi filtri come descritto in precedenza.
- ◆ Inserire i nuovi filtri come descritto qui sopra.

Per riporre gli accessori (fig. J)

- ◆ Premere gli accessori nei rispettivi supporti fino a quando si agganciano in sede.

Protezione dell'ambiente



Raccolta differenziata. Questo prodotto non deve essere smaltito con i normali rifiuti domestici.

Nel caso in cui l'elettrodomestico Black & Decker debba essere sostituito o non sia più necessario, non smaltirlo con i normali rifiuti domestici. Metterlo da parte per la raccolta differenziata.



La raccolta differenziata dei prodotti e degli imballaggi utilizzati consente il riciclaggio dei materiali e il loro continuo utilizzo. Il riutilizzo dei materiali riciclati favorisce la protezione dell'ambiente prevenendo l'inquinamento e riduce il fabbisogno di materie prime.

Seguire la regolamentazione locale per la raccolta differenziata dei prodotti elettrici che può prevedere punti di raccolta o la consegna dell'elettrodomestico al rivenditore presso il quale viene acquistato un nuovo prodotto.

Black & Decker offre ai suoi clienti la possibilità di riciclare i prodotti Black & Decker che hanno esaurito la loro vita di servizio. Per usufruire di tale servizio, è sufficiente restituire il prodotto a qualsiasi tecnico autorizzato, incaricato della raccolta per conto dell'azienda.

Per individuare il tecnico autorizzato più vicino, rivolgersi alla sede Black & Decker locale, presso il recapito indicato nel presente manuale. In alternativa, un elenco completo di tutti i tecnici autorizzati Black & Decker e i dettagli completi sui contatti e i servizi post-vendita sono disponibili su Internet presso: www.2helpU.com.

Batteria (fig. K)



Se si desidera smaltire il prodotto personalmente, estrarre la batteria come descritto di seguito e smaltirla in base ai regolamenti in vigore.

- ◆ Prima di eseguire una ricarica, è preferibile lasciare che la batteria si scarichi del tutto facendo funzionare l'elettrodomestico fino a quando il motore si ferma.
- ◆ Premere il pulsante di rilascio (2) ed estrarre la bocchetta raccogli-polvere (1).
- ◆ Estrarre i filtri (10 e 11) ruotandoli in senso orario (fig. H).

- ◆ Svitare le sette viti che tengono unito il corpo dell'elettrodomestico.
 - ◆ Staccare a metà il coperchio dal vano.
 - ◆ Per i numeri di catalogo DV96VXZ e DV12VXZ,
 - scalzare il coperchietto dal cursore di pulitura del filtro e svitare la vite di fissaggio del cursore.
 - Estrarre quindi l'intero gruppo motore/ventilatore/batteria.
 - ◆ Scollegare la batteria dal gruppo principale.
 - ◆ Imballare la batteria in modo idoneo per evitare che i terminali possano essere cortocircuitati.
 - ◆ Portare la batteria da un rivenditore autorizzato o presso un centro di riciclaggio di zona.
- Una volta tolta, la batteria non può essere rimontata.

Dati tecnici

	DV9605TN H2	DV1205TN H2
Tensione	V c.c. 9,6	12,0
Batteria	Tipo NiCD/NiMH	NiCD/NiMH
Peso	kg 1,3	1,4
Spazzola		
Peso	kg 1,6	1,7

Alimentatore	*A135040I	CHA002014*	CHA00302*	*A140020D
Modello	DV12	DV12	DV12	DV96
Tensione in ingresso	V c.a. 230	100-240	100-240	230
Tensione erogata	13,5 V.c.a.	7,2-24 V c.c.	7,2-24 V c.c.	14 V.c.a.
Corrente erogata	mA 400	85	130	200
Tempo di carica approssimativo	h 24	24	24	24
Peso	kg 0,3	0,3	0,3	0,3

Livello di pressione sonora misurato in base a EN60704-1: <70 dB(A)

Garanzia

Certa della qualità dei suoi prodotti, Black & Decker offre una garanzia eccezionale. Il presente certificato di garanzia è complementare ai diritti legali e non li pregiudica in alcun modo. La garanzia è valida entro il territorio degli Stati membri dell'Unione Europea e dell'EFTA (European Free Trade Area).

Se un prodotto Black & Decker risulta difettoso per qualità del materiale, della costruzione o per mancata conformità entro 24 mesi dalla data di acquisto, Black & Decker garantisce la sostituzione delle parti difettose, provvede alla riparazione dei prodotti se ragionevolmente usurati oppure alla loro sostituzione, in modo da ridurre al minimo il disagio del cliente a meno che:

- ◆ Il prodotto non sia stato destinato ad usi commerciali, professionali o al noleggio;
- ◆ Il prodotto non sia stato usato in modo improprio o scorretto;
- ◆ Il prodotto non abbia subito danni causati da oggetti o sostanze estranee oppure incidenti;
- ◆ Il prodotto non abbia subito tentativi di riparazione non effettuati da tecnici autorizzati né dall'assistenza Black & Decker.

Per attivare la garanzia è necessario esibire la prova comprovante l'acquisto al venditore o al tecnico autorizzato. Per individuare il tecnico autorizzato più vicino, rivolgersi alla sede Black & Decker locale,

presso il recapito indicato nel presente manuale. Altrimenti un elenco completo di tutti i tecnici autorizzati Black & Decker e i dettagli completi sui contatti e i servizi post-vendita sono disponibili su Internet presso:

www.2helpU.com

I clienti che desiderano registrare il nuovo prodotto Black & Decker e ricevere gli aggiornamenti sui nuovi prodotti e le offerte speciali, sono invitati a visitare il sito Web (**www.blackanddecker.it**). Ulteriori informazioni sul marchio e la gamma di prodotti Black & Decker sono disponibili all'indirizzo **www.blackanddecker.it**.

Beoogd gebruik

Deze Black & Decker Dustbuster® is ontworpen als handstofzuiger voor lichte, droge stofzuigwerkzaamheden. Het apparaat is uitsluitend bestemd voor huishoudelijk gebruik.

Ontwerp- en octrooigegevens

Europese ontwerpregistratienummers:

- ◆ 607643-0001
- ◆ 607668-0001
- ◆ 607650-0001
- ◆ 897764-0001

Veiligheidsinstructies

Waarschuwing! Bij apparaten voor gebruik op batterijen moeten bepaalde elementaire voorzorgsmaatregelen, waaronder de navolgende, altijd in acht worden genomen om het gevaar voor brand, lekkende batterijen, persoonlijk letsel en materiële schade tot een minimum te beperken.

- ◆ Lees deze handleiding zorgvuldig door voordat u het apparaat in gebruik neemt.
- ◆ In deze handleiding wordt ingegaan op het beoogde gebruik. Het gebruik van andere accessoires of hulpstukken dan wel de uitvoering van andere handelingen dan in deze gebruikershandleiding worden aanbevolen, kan tot persoonlijk letsel leiden.
- ◆ Bewaar deze handleiding zorgvuldig zodat u deze altijd nog eens kunt raadplegen.

Gebruik van het apparaat

- ◆ Gebruik het apparaat nooit voor het opzuigen van vloeistoffen of materialen die vlam kunnen vatten.
- ◆ Gebruik het apparaat niet in de buurt van water.
- ◆ Dompel het apparaat niet onder in water.
- ◆ Trek de oplader nooit aan het snoer uit het stopcontact. Houd de oplader uit de buurt van warmtebronnen, olie en scherpe randen.

- ◆ Dit apparaat mag niet worden gebruikt door personen (waaronder kinderen) die lichamelijk of geestelijk mindervalide zijn of die geen ervaring met of kennis van dit apparaat hebben, tenzij ze onder toezicht staan of instructies krijgen wat betreft het gebruik van het apparaat van een persoon die verantwoordelijk is voor hun veiligheid. Houd toezicht op kinderen om ervoor te zorgen dat zij niet met het apparaat gaan spelen.

Na gebruik

- ◆ Neem de lader uit het stopcontact voordat u de lader of laadhouder schoonmaakt.
- ◆ Bewaar het apparaat na gebruik op een droge plaats.
- ◆ Zorg dat het bewaarde apparaat niet toegankelijk is voor kinderen.

Inspectie en reparaties

- ◆ Controleer het apparaat vóór gebruik op beschadigingen en defecten. Controleer het vooral op gebroken onderdelen, schade aan de schakelaars en andere omstandigheden die de werking ervan kunnen beïnvloeden.
- ◆ Gebruik het apparaat niet in geval van een of meer beschadigde of defecte onderdelen.
- ◆ Laat beschadigde of defecte onderdelen door een van onze servicecentra repareren of vervangen.
- ◆ Controleer het snoer van de lader regelmatig op beschadigingen. Vervang de lader als het snoer beschadigd of defect is.
- ◆ Probeer nooit andere onderdelen te verwijderen of vervangen dan in deze handleiding zijn vermeld.

Veiligheid van anderen

- ◆ Dit apparaat mag niet worden gebruikt door personen (waaronder kinderen) die lichamelijk of geestelijk minder valide zijn of die geen ervaring met of kennis van dit

apparaat hebben, tenzij deze onder toezicht staan of instructies krijgen voor het gebruik van het apparaat van een persoon die verantwoordelijk is voor hun veiligheid.

- ◆ Houd toezicht op kinderen om ervoor te zorgen dat zij niet met het apparaat gaan spelen.

Aanvullende veiligheidsinstructies – accu's en laders

Accu's

- ◆ Probeer accu's niet te openen, om welke reden ook.
- ◆ Stel de accu niet bloot aan water.
- ◆ Stel de accu niet bloot aan hitte.
- ◆ Bewaar de accu niet op locaties met temperaturen die hoger zijn dan 40°C.
- ◆ Laad de accu alleen op bij een omgevingstemperatuur tussen 10 en 40°C.
- ◆ Gebruik alleen de lader die bij het gereedschap/apparaat is geleverd. Het gebruik van de verkeerde lader kan resulteren in een elektrische schok of oververhitting van de accu.
- ◆ Gooi lege accu's weg volgens de instructies in het gedeelte "Milieu".
- ◆ De accubehuizing mag niet worden beschadigd of vervormd door er gaten in te laten komen of ertegen aan te stoten, aangezien dit kan leiden tot letsel of brand.
- ◆ Laad beschadigde accu's niet op.
- ◆ Onder extreme omstandigheden kunnen accu's lekkages vertonen. Wanneer de accu nat of vochtig is, veegt u de vloeistof voorzichtig af met een doek. Vermijd huidcontact.
- ◆ Bij huid- of oogcontact volgt u de onderstaande instructies.

Waarschuwing! De accuvloeistof kan letsel of materiële schade veroorzaken. Bij huidcontact moet u de vloeistof direct afspoelen met water. Raadpleeg uw huisarts als er rode vlekken ontstaan of bij een pijnlijke of geïrriteerde huid. Bij oogcontact moet u de vloeistof direct

afspoelen met water en uw huisarts raadplegen.

Laders

De lader is ontworpen voor een specifieke spanning. Controleer altijd of de netspanning overeenkomt met de waarde op het typeplaatje.

Waarschuwing! Probeer de lader nooit te vervangen door een normale netstekker.

- ◆ Gebruik de lader van Black & Decker alleen voor de accu in het gereedschap/apparaat waarbij de lader is bijgeleverd. Andere accu's kunnen exploderen met letsel en materiële schade als gevolg.
- ◆ Niet-laadbare accu's mogen nooit worden opgeladen.
- ◆ Als het netsnoer is beschadigd, moet dit worden vervangen door de fabrikant of een Black & Decker-servicecentrum om gevaren te voorkomen.
- ◆ Stel de lader niet bloot aan water.
- ◆ Open de lader niet.
- ◆ Prik nooit met een scherp voorwerp in de lader.
- ◆ Laad het apparaat/het gereedschap/ de accu in een goed geventileerde locatie op.

Elektrische veiligheid

De lader is ontworpen voor een specifieke spanning. Controleer altijd of de netspanning overeenkomt met de waarde op het typeplaatje. Probeer nooit om de oplaadeenheid door een normale netstekker te vervangen.

Symbolen op de lader



Lees deze handleiding zorgvuldig door.



De lader is dubbel geïsoleerd, zodat een aardaansluiting niet noodzakelijk is.



Storingsvrije scheidingstransformator. De netspanning is elektrisch van de transformatoruitgang gescheiden.



De lader wordt automatisch uitgeschakeld als de omgevingstemperatuur te ver oploopt. Hierdoor zal de lader onbruikbaar worden. Neem de lader in dat geval uit het stopcontact en laat deze door een erkend servicecentrum repareren.



De laadhouder is uitsluitend bestemd voor binnengebruik

Onderdelen

1. Zuigbuis
2. Ontgrendelingsknop
3. Aan/uit-schakelaar
4. Oplaadindicator
5. Filterreinigingsknop
6. Laadhouder
7. Elektrische borstelkop

Fig. A

8. Borstelhulpstuk
9. Spleetzuiger

Productidentificatie

Het modeltype wordt aangeduid door de suffixcode van het catalogusnummer. In deze handleiding worden de volgende catalogusnummers beschreven.

- ◆ DV96VXZ of DV12VXZ.

De suffixcode V staat voor de volgende typen:

- ◆ 05: Alle apparaten, geleverd met een kleine spleetzuiger en borstelhulpstuk.

De suffixcode X die wordt aangeduid met de letter T wordt gebruikt voor modellen met een turboborstel.

De suffixcode Z die wordt aangeduid met de letter N wordt gebruikt voor modellen met een NiMH-batterij.

Installatie

Laadhouder aan de wand monteren

De laadhouder kan op een werkvlak worden geplaatst of aan de wand worden gemonteerd, om het apparaat gemakkelijk te kunnen opbergen en opladen.

Selecteer bij wandmontage een bevestigingsmethode die geschikt is voor het betreffende wandtype en het gewicht van het apparaat.

Opmerking: als de elektrische borstelkop is gemonteerd, past de eenheid niet in de laadhouder die aan de muur kan worden bevestigd.

Montage

De elektrische borstelkop plaatsen

De borstelkop (7) dient voor het stofzuigen van fluweelachtig tapijt. De borstelkop is vooral handig voor het opnemen van haren en draadjes, enzovoort.

- ◆ Plaats de borstelkop (7) in de voorzijde van het apparaat. Zorg ervoor dat de borstelkop goed is bevestigd.

Hulpstukken plaatsen (fig. A & B)

Bij deze modellen worden een of meer van de volgende hulpstukken meegeleverd:

- ◆ Een spleetzuiger (9) voor smalle kieren.
- ◆ Een borstelhulpstuk (8) voor meubilair en trappen.

Een hulpstuk aanbrengen:

- ◆ Neem het hulpstuk uit de opberglocatie van het apparaat (fig. J).
- ◆ Plaats het gewenste hulpstuk in de voorzijde van het apparaat.

Overige risico's

Er kunnen zich tijdens het gebruik van het gereedschap ook andere risico's voordoen die misschien niet in de bijgevoegde veiligheidswaarschuwingen worden vermeld. Deze risico's kunnen zich voordoen als gevolg van onoordeelkundig gebruik, langdurig gebruik, enz.

Zelfs als de veiligheidsvoorschriften in acht worden genomen en de veiligheidsvoorzieningen worden geïmplementeerd, kunnen bepaalde risico's niet worden vermeden. Deze omvatten:

- ◆ Verwondingen die worden veroorzaakt door het aanraken van draaiende of bewegende onderdelen.
- ◆ Verwondingen die worden veroorzaakt bij het vervangen van onderdelen, bladen of accessoires.
- ◆ Verwondingen die worden veroorzaakt door langdurig gebruik van het gereedschap. Als u langere periodes met het gereedschap werkt, is het raadzaam om regelmatig een pauze in te lassen.
- ◆ Gehoorbeschadiging.
- ◆ Gezondheidsrisico's als gevolg van het inademen van stof dat door gebruik van het gereedschap wordt veroorzaakt (bijvoorbeeld tijdens het werken met hout, vooral eiken, beuken en MDF).

Gebruik

- ◆ Laad de batterij vóór het eerste gebruik gedurende ten minste 24 uur op.
- ◆ Plaats het apparaat op de laadhouder als dit niet wordt gebruikt.

De batterij opladen (fig. C)

Voer de volgende handelingen uit voordat u de batterij oplaadt:

- ◆ Zorg ervoor dat het apparaat uitgeschakeld is. De batterij wordt niet opgeladen als de aan/uitschakelaar (3) in de aan-stand staat.

- ◆ Plaats het apparaat zoals weergegeven op de laadhouder (6).
- ◆ Plaats de lader in het stopcontact. Schakel zonodig de netspanning in.

De oplaadindicator (4) gaat branden.

- ◆ Laat het apparaat ten minste 24 uur opladen.

Tijdens het opladen kan de lader warm worden. Dit is normaal en wijst niet op een probleem. Het apparaat kan voor onbepaalde tijd met de lader verbonden blijven. De oplaadindicator (4) blijft branden zo lang het apparaat zich op de laadhouder bevindt en de lader op het stopcontact is aangesloten.

Waarschuwing! Laad de batterij niet op bij omgevingstemperaturen onder 10°C of boven 40°C.

In- en uitschakelen (fig. D)

- ◆ Schuif de aan/uit-schakelaar (3) naar voren in om het apparaat in te schakelen.
- ◆ Schuif de aan/uit-schakelaar (3) naar achteren om het apparaat uit te schakelen.

Zuigkracht optimaal houden (fig E)

Voor een optimale zuigkracht moeten de filters tijdens het gebruik regelmatig worden gereinigd.

- ◆ Schuif de filterreinigingsknop (5) een aantal keer naar boven en naar beneden om het stof waarmee de filters (10 & 11) verstopt zitten, los te kloppen.

Reiniging en onderhoud

Waarschuwing! Reinig de filters regelmatig (10 & 11).

De borstelkop reinigen

- ◆ Verwijder alle haren, draadjes en dergelijk die zich om de borstelstang hebben gewikkeld of hierin vastzitten om ervoor te zorgen dat de borstel vrij kan draaien. Gebruik zo nodig een schaar.

Zuigbuis en filters reinigen (fig. F - I)

De filters zijn herbruikbaar en moeten regelmatig worden gereinigd.

- ◆ Druk op de ontgrendelingsknop (2) en verwijder de zuigbuis (1).
- ◆ Maak de zuigbuis leeg (1) (fig. G).
- ◆ Draai de filters (10 & 11) rechtersom om ze te verwijderen (fig. H).
- ◆ Haal de filters uit elkaar (10 & 11).
- ◆ Borstel al het losse stof van de filters (10 & 11).
- ◆ Was de filters in een warm sopje uit (fig. I).

Waarschuwing! Dompel het apparaat niet onder in water.

- ◆ Zorg ervoor dat de zuigbuis (1) en de filters (10 & 11) volledig droog zijn.
- ◆ Plaats de filters (10 & 11) op het apparaat en draai de filters linksom om ze te vergrendelen.
- ◆ Bevestig de zuigbuis (1) weer aan het apparaat. Zorg ervoor dat de buis vastklikt.

Waarschuwing! Gebruik het apparaat nooit zonder de filters. Het apparaat werkt alleen optimaal bij schone filters.

Filters vervangen

De filters moeten om de 6 à 9 maanden of bij tussentijdse verslijting of beschadiging worden vervangen. Vervangende filters zijn verkrijgbaar via uw Black & Decker-leverancier (cat. nr. VF70):

- ◆ Verwijder de oude filters op de hiervoor beschreven wijze.
- ◆ Plaats de nieuwe filters op de hiervoor beschreven wijze.

Hulpstukken opbergen (fig. J)

- ◆ Druk de hulpstukken in de toepasselijke houders tot deze vastklikken.

Milieu



Gescheiden inzameling. Dit product mag niet met normaal huishoudelijk afval worden weggegooid.

Mocht u op een dag constateren dat het Black & Decker-product aan vervanging toe is of dat u het apparaat niet meer nodig hebt, gooi het product dan niet bij het restafval. Het product valt onder de categorie voor elektrische apparaten.



Gescheiden inzameling van gebruikte producten en verpakkingsmaterialen maakt het mogelijk materialen te recyclen en opnieuw te gebruiken. Hergebruik van gerecycleerde materialen zorgt voor minder milieuvervuiling en dringt de vraag naar grondstoffen terug.

Plaatselijke verordeningen kunnen voorzien in gescheiden inzameling van huishoudelijke elektrische producten via gemeentelijke stortplaatsen of via de leverancier bij wie u een nieuw product aanschaft.

Black & Decker biedt de mogelijkheid tot het recyclen van afgedankte Black & Decker-producten. Om gebruik te maken van deze service, dient u het product naar een van onze servicecentra te sturen, die de inzameling voor ons verzorgen.

U kunt het adres van het dichtstbijzijnde servicecentrum opvragen via de adressen op de achterzijde van deze handleiding. U kunt ook een lijst van onze servicecentra en meer informatie over onze klantenservice vinden op het volgende internetadres:

www.2helpU.com

Batterij (fig. K)



Als u het product zelf wilt afvoeren, moet u de accu op de hierna beschreven wijze verwijderen en conform de geldende voorschriften afvoeren.

- ◆ Ontlaad de batterij door het apparaat te laten werken tot de motor stopt.
- ◆ Druk op de ontgrendelingsknop (2) en verwijder de zuigbuis (1).

NEDERLANDS

- ◆ Draai de filters (10 & 11) rechtsom om ze te verwijderen (fig. H).
- ◆ Verwijder de zeven schroeven waarmee de behuizing van het apparaat vastzit.
- ◆ Trek het deksel voorzichtig half los.
- ◆ Bij catalogusnummers DV96VXZ & DV12VXZ,:
 - Wrik het kleine deksel voorzichtig los van de filterreinigingsschuif en verwijder de bevestigingsschroef van de schuif.
 - Til de motor/ventilator/batterij-eenheid in zijn geheel uit het apparaat.
- ◆ Haal de batterij los van de hoofdeenheid.
- ◆ Plaats de batterij in een geschikte verpakking om ervoor te zorgen dat er geen kortsluiting tussen de polen kan ontstaan.
- ◆ Breng de batterij naar het servicecentrum of een inzamellocatie in uw woonplaats.

Plaats een verwijderde batterij niet meer terug in het apparaat.

Technische gegevens

	DV9605TN H2	DV1205TN H2
Spanning	Vdc 9.6	12.0
Batterij	Type NiCD/NiMH	NiCD/NiMH
Gewicht	kg 1,3	1,4
Kop		
Gewicht	kg 1,6	1,7

Lader	*A135040I	CHA002014*	CHA00302*	*A140020D
Model	DV12	DV12	DV12	DV96
Ingangsspanning	Vac 230	100-240	100-240	230
Uitgangsspanning	13,5 Vac	7,2-24 Vdc	7,2-24 Vdc	14 Vac
Uitgangsstroom	mA 400	85	130	200
Oplaadtijd ca.	h 24	24	24	24
Gewicht	kg 0,3	0,3	0,3	0,3

Geluidsdrukniveau, gemeten volgens EN 60704-1: <70 dB(A)

Garantie

Black & Decker heeft vertrouwen in haar producten en biedt een uitstekende garantie. Deze garantiebepalingen vormen een aanvulling op uw wettelijke rechten en beperken deze niet. De garantie geldt in de lidstaten van de Europese Unie en de Europese Vrijhandelsassociatie.

Mocht uw Black & Decker product binnen 24 maanden na de datum van aankoop defect raken ten gevolge van materiaal- of constructiefouten, dan garanderen wij de kosteloze vervanging van defecte onderdelen, de reparatie van het product of de vervanging van het product, tenzij:

- ◆ Het product is gebruikt voor handelsdoeleinden, professionele toepassingen of verhuurdoeleinden;
- ◆ Het product onoordeelkundig is gebruikt;
- ◆ Het product is beschadigd door invloeden van buitenaf of door een ongeval;
- ◆ Reparaties zijn uitgevoerd door anderen dan onze servicecentra of Black & Decker-personeel.

Om een beroep te doen op de garantie, dient u een aankoopbewijs te overhandigen aan de verkoper of een van onze servicecentra. U kunt het adres van het dichtstbijzijnde servicecentrum opvragen via de adressen op de

achterzijde van deze handleiding. U kunt ook een lijst van onze servicecentra en meer informatie m.b.t. onze klantenservice vinden op het volgende internetadres:

www.2helpU.com

Meld u aan op onze website

www.blackanddecker.nl om te worden geïnformeerd over nieuwe producten en speciale aanbiedingen. Verdere informatie over het merk Black & Decker en onze producten vindt u op **www.blackanddecker.nl**.

Uso previsto

La aspiradora de mano Dustbuster® de Black & Decker se ha diseñado para proporcionar una limpieza suave mediante aspiración en seco. Este aparato está pensado únicamente para uso doméstico.

Información sobre el diseño y la patente

Números de registro del diseño en la CE:

- ◆ 607643-0001
- ◆ 607668-0001
- ◆ 607650-0001
- ◆ 897764-0001

Instrucciones de seguridad

¡Atención! Si utiliza aparatos que funcionan con batería, es necesario seguir las precauciones de seguridad básicas, incluidas las que se indican a continuación, para reducir el riesgo de incendios, derrame de líquido de baterías, lesiones y daños materiales.

- ◆ Lea todo el manual detenidamente antes de utilizar el aparato.
- ◆ En este manual se describe el uso para el que se ha diseñado el aparato. La utilización de accesorios o la realización de operaciones distintas de las recomendadas en este manual de instrucciones puede presentar un riesgo de lesiones.
- ◆ Conserve este manual para futuras consultas.

Utilización del aparato

- ◆ No utilice el aparato para recoger ningún líquido ni material inflamable.
- ◆ No utilice el aparato cerca del agua.
- ◆ No introduzca el aparato en agua.
- ◆ No tire del cable para desconectar el cargador de la toma de corriente. Mantenga el cable del cargador alejado de temperaturas elevadas, aceites y bordes afilados.
- ◆ Ninguna persona (incluyendo niños) con capacidades físicas, sensoriales o mentales disminuidas, o que carezca de experiencia y conocimientos, debe utilizar este aparato, salvo que haya recibido

supervisión o formación con respecto al uso del aparato por parte de una persona responsable de su seguridad. Los niños deben vigilarse en todo momento para garantizar que el aparato no se toma como elemento de juego.

Después de la utilización

- ◆ Desenchufe el cargador antes de limpiar dicho cargador o su respectiva base.
- ◆ Cuando no esté utilizando el aparato, guárdelo en un lugar seco.
- ◆ Los niños no deben tener acceso a los aparatos guardados.

Inspecciones y reparaciones

- ◆ Antes de utilizarlo, compruebe que el aparato no tiene piezas dañadas o defectuosas. Compruebe que no hay piezas rotas, que los interruptores no están dañados y que no existen otros defectos que puedan afectar al funcionamiento del aparato.
- ◆ No utilice el aparato si presenta alguna pieza dañada o defectuosa.
- ◆ Solicite al servicio técnico autorizado la reparación o sustitución de las piezas dañadas o defectuosas.
- ◆ Compruebe con regularidad que el cable del cargador no ha sufrido daños. Sustituya el cargador si el cable está dañado o es defectuoso.
- ◆ Nunca intente extraer o sustituir piezas no especificadas en este manual.

La seguridad de terceros

- ◆ Ninguna persona (incluidos los niños) con capacidades físicas, sensoriales o mentales disminuidas, o que carezca de experiencia y conocimientos, debe utilizar este aparato, salvo que haya recibido supervisión o formación con respecto al uso del aparato por parte de una persona responsable de su seguridad.
- ◆ Los niños deben vigilarse en todo momento para garantizar que el

aparato no se tome como elemento de juego.

Instrucciones de seguridad adicionales: baterías y cargadores

Baterías

- ◆ No intente abrirlas bajo ningún concepto.
- ◆ No exponga la batería al agua.
- ◆ No exponga la batería al calor.
- ◆ No guarde la batería en lugares en los que la temperatura pueda superar los 40 °C.
- ◆ Realice la carga únicamente a una temperatura ambiente de entre 10°C y 40°C.
- ◆ Utilice únicamente el cargador suministrado con el aparato o la herramienta para realizar la carga. La utilización de un cargador incorrecto podría provocar una descarga eléctrica o el recalentamiento de la batería.
- ◆ Para desechar las pilas o las baterías, siga las instrucciones facilitadas en la sección "Protección del medio ambiente".
- ◆ No dañe ni deforme la batería mediante perforaciones o golpes, ya que puede suponer un riesgo de incendio y de lesiones.
- ◆ No cargue baterías dañadas.
- ◆ Es posible que se produzcan fugas en las baterías en condiciones extremas. Cuando observe que se producen fugas en las baterías, limpie cuidadosamente el líquido con un paño. Evite el contacto con la piel.
- ◆ En caso de que se produzca contacto con la piel o los ojos, siga las instrucciones facilitadas a continuación.

¡Atención! El líquido de las baterías puede provocar lesiones personales o daños materiales. En caso de que se produzca contacto con la piel, lave la zona con agua inmediatamente. Si se produce enrojecimiento, dolor o irritación, solicite atención médica. En caso de contacto con los ojos, lave la zona

inmediatamente con agua limpia y solicite atención médica.

Cargadores

El cargador se ha diseñado para un voltaje específico. Cada vez que utilice el aparato, debe comprobar que el voltaje de la red eléctrica corresponde con el valor indicado en la placa de características.

¡Atención! No intente sustituir el cargador por un enchufe convencional para la red eléctrica.

- ◆ Para cargar la batería del aparato o herramienta, utilice únicamente el cargador Black & Decker suministrado. En caso de intentar cargar otras baterías, estas podrían explotar, lo que podría provocar lesiones y daños personales.
- ◆ Nunca intente cargar baterías no recargables.
- ◆ Si se dañara el cable de alimentación, deberá ser sustituido por el fabricante o por un centro de asistencia técnica autorizado de Black & Decker para evitar cualquier situación de riesgo.
- ◆ No exponga el cargador al agua.
- ◆ No abra el cargador.
- ◆ No aplique ningún dispositivo para medir la resistencia del cargador.
- ◆ El aparato, la herramienta o la batería debe colocarse en una zona bien ventilada durante la carga.

Seguridad eléctrica

El cargador se ha diseñado para un voltaje específico. Cada vez que utilice el aparato, debe comprobar que el voltaje de la red eléctrica corresponde con el valor indicado en la placa de características. No intente sustituir el cargador por un enchufe convencional para la red eléctrica.

Símbolos del cargador



Lea este manual con atención.



El cargador está provisto de doble aislamiento, por lo que no requiere una toma de tierra.



Transformador con aislamiento a prueba de fallos. El circuito eléctrico de la toma de corriente está aislado de la salida del transformador.



El cargador se apaga automáticamente si detecta que la temperatura ambiente es excesivamente elevada. En este caso, el cargador no se podrá utilizar. Deberá desconectar la base del cargador de la toma de corriente y llevar el cargador a un centro de servicio autorizado.



La base del cargador está pensada únicamente para utilizarla en espacios interiores

Características

1. Colector de polvo
2. Botón de liberación
3. Interruptor ON/OFF (encendido/apagado)
4. Indicador de carga
5. Botón de limpieza del filtro
6. Base del cargador
7. Cabeza de cepillo

Fig. A

8. Cepillo
9. Accesorio para hendiduras

Identificación del producto

Es posible determinar el diseño del modelo por los códigos de sufijo que se utilizan en el número del catálogo. En este manual se describen los siguientes números del catálogo.

- ◆ DV96VXZ o DV12VXZ.

El código de sufijo V corresponde a los diseños siguientes:

- ◆ 05: todas las unidades; se suministra con un pequeño accesorio para hendiduras y un cepillo.

El código de sufijo X representado por la letra T se utiliza en aquellos modelos que incorporan un cepillo turbo.

El código de sufijo Z representado por la letra N se utiliza en aquellos modelos que incorporan una batería NiMH.

Instalación

Montaje de la base del cargador en la pared

La base del cargador puede colocarse sobre una superficie o bien en la pared, proporcionando un almacenaje más cómodo y un soporte de carga para el aparato.

Si fija dicha base a la pared, asegúrese de que el método de fijación sea el adecuado para el tipo de pared y el peso del aparato.

Nota: Tenga en cuenta que no es posible colocar la unidad en la base del cargador montado en la pared con la cabeza instalada.

Montaje

Colocación de la cabeza de cepillo

La cabeza de cepillo (7) permite aspirar alfombras espesas. La cabeza de cepillo resulta especialmente útil para recoger pelos, hilos, etc.

- ◆ Introduzca la cabeza de cepillo (7) en la parte frontal del aparato. Asegúrese de que la cabeza de cepillo se ha introducido completamente.

Montaje de los accesorios (fig. A y B)

Estos modelos contienen los accesorios siguientes o alguno de ellos:

- ◆ Un accesorio para hendiduras (9) para acceder a los rincones difíciles.
- ◆ Un cepillo (8) para muebles y escaleras.

Para montar un accesorio, siga el procedimiento indicado a continuación:

- ◆ Tome el accesorio de su posición de almacenamiento en el aparato (fig. J).
- ◆ Introduzca el accesorio más apropiado en la parte frontal del aparato.

Riesgos residuales

El uso de esta herramienta puede producir riesgos residuales adicionales no incluidos en las advertencias de seguridad adjuntas. Estos riesgos se pueden generar por un uso incorrecto, demasiado prolongado, etc.

El cumplimiento de las normas de seguridad correspondientes y el uso de dispositivos de seguridad no evitan ciertos riesgos residuales. Estos riesgos incluyen:

- ◆ Lesiones producidas por el contacto con piezas móviles o giratorias.
- ◆ Lesiones producidas al cambiar cualquier pieza, cuchilla o accesorio.
- ◆ Lesiones producidas al usar una herramienta por un tiempo demasiado prolongado. Si utiliza una herramienta durante períodos de tiempo demasiado prolongados, asegúrese de realizar pausas con frecuencia.
- ◆ Discapacidad auditiva.
- ◆ Riesgos para la salud producidos al respirar el polvo que se genera al usar la herramienta (por ejemplo: en los trabajos con madera, especialmente de roble, haya y tableros de densidad mediana).

Uso

- ◆ Antes de utilizarlo por primera vez, la batería se debe cargar durante 24 horas como mínimo.
- ◆ Cuando no esté utilizando el aparato, colóquelo en la base del cargador.

Carga de la batería (fig. C)

Antes de cargar la batería:

- ◆ Compruebe que el aparato está apagado. La batería no se cargará si el interruptor ON/OFF (encendido/apagado) (3) está en la posición de encendido.
- ◆ Coloque el aparato en la base del cargador (6) de la siguiente manera.
- ◆ Conecte el cargador. Conéctelo a la red eléctrica.

Se encenderá el indicador de carga (4).

- ◆ El aparato se debe cargar durante un mínimo de 24 horas.

Durante la carga, es posible que el cargador se caliente. Esto es normal y no indica ningún fallo en el funcionamiento. Se puede dejar el aparato conectado al cargador indefinidamente. El indicador de carga (4) permanecerá encendido siempre que el aparato esté conectado al cargador enchufado.

¡Atención! No cargue la batería a temperatura ambiente si es inferior a 10°C o superior a 40°C.

Encendido y apagado (fig. D)

- ◆ Para encender el aparato, deslice el interruptor ON/OFF (encendido/apagado) (3) hacia delante.
- ◆ Para apagar el aparato, deslice el interruptor ON/OFF (encendido/apagado) (3) hacia atrás.

Optimización de la fuerza de succión (fig. E)

Para mantener la fuerza de succión del aparato, es necesario limpiar los filtros periódicamente.

- ◆ Deslice el botón de limpieza del filtro (5) hacia arriba y hacia abajo varias veces para quitar el polvo que obstruye los filtros (10 y 11).

Limpieza y mantenimiento

¡Atención! Limpie los filtros de forma regular (10 y 11).

Limpeza de la cabeza de cepillo

- ◆ Retire los pelos y otros restos que estén enrollados o atrapados cerca de la barra del cepillo para asegurarse de que pueda girar libremente. Si es necesario, utilice unas tijeras.

Limpeza del colector de polvo y los filtros (fig. F - I)

Los filtros son reutilizables y se deben limpiar con regularidad.

- ◆ Pulse el botón de liberación (2) y extraiga el colector de polvo (1).
- ◆ Vacíe el colector de polvo (1) (fig. G).
- ◆ Gire los filtros (10 y 11) en el sentido de las agujas del reloj (fig. H) para extraerlos.
- ◆ Separe los filtros (10 y 11)
- ◆ Cepille el polvo de los filtros (10 y 11).
- ◆ Lave los filtros en agua caliente con jabón (fig. I).

¡Atención! No introduzca el aparato en agua.

- ◆ Asegúrese de que el colector de polvo (1) y los filtros (10 y 11) están secos.
- ◆ Vuelva a colocar los filtros (10 y 11) en el aparato, girándolos en el sentido contrario al de las agujas del reloj hasta que encajen.
- ◆ Vuelva a montar el colector de polvo (1) en el aparato. Compruebe que el colector de polvo encaja en su lugar.

¡Atención! No utilice nunca el aparato sin filtros. Sólo conseguirá un óptimo rendimiento del aparato si los filtros están limpios.

Sustitución de los filtros

Es necesario cambiar los filtros cada 6 o 9 meses y cuando se gasten o se dañen. Encontrará un filtro de repuesto a través de su distribuidor de Black & Decker (número de catálogo VF70).

- ◆ Extraiga los filtros viejos como se ha descrito anteriormente.
- ◆ Coloque los filtros nuevos como se ha descrito anteriormente.

Almacenamiento de los accesorios (fig. J)

- ◆ Coloque los accesorios en los soportes correspondientes y presione hasta que oiga un clic.

Protección del medio ambiente



Recogida selectiva. No se debe desechar este producto con el resto de residuos domésticos.

Si llegase el momento en que fuese necesario sustituir su producto Black & Decker o si éste dejase de tener utilidad para usted, no lo deseche junto con los residuos domésticos. Sepárelo para su recogida selectiva.



La recogida selectiva de productos y embalajes usados permite el reciclaje de materiales y su reutilización. La reutilización de materiales reciclados contribuye a evitar la contaminación medioambiental y reduce la demanda de materias primas.

Las normativas municipales deben ofrecer la recogida selectiva de productos eléctricos del hogar, en puntos municipales previstos para ello o a través del distribuidor en el caso en que se adquiera un nuevo producto.

Black & Decker proporciona facilidades para la recogida y reciclado de los productos Black & Decker que hayan llegado al final de su vida útil. Para poder utilizar este servicio, le rogamos entregue el producto a cualquier servicio técnico autorizado que se hará cargo de él en nuestro nombre.

Para consultar la dirección del servicio técnico más cercano póngase en contacto con la oficina local de Black & Decker en la dirección que se indica en este manual. Como alternativa, se puede consultar en Internet, en la dirección siguiente, la lista de servicios técnicos autorizados e información completa

sobre nuestros servicios de posventa y contactos: www.2helpU.com.

Batería (fig. K)



Para desechar este producto personalmente, debe extraer la batería como se describe a continuación y desecharla según la legislación aplicable.

- ◆ Se recomienda descargar la batería totalmente, utilizando el aparato hasta que se detenga el motor.
- ◆ Pulse el botón de liberación (2) y extraiga el colector de polvo (1).
- ◆ Gire los filtros (10 y 11) en el sentido de las agujas del reloj (fig. H) para extraerlos.
- ◆ Extraiga los siete tornillos mientras sujeta el cuerpo del aparato para que no se desmonte.

- ◆ Extraiga la cubierta a medias.
- ◆ Para los números de catálogo DV96VXZ y DV12VXZ,
 - haga palanca para extraer la pequeña cubierta del conmutador de limpieza del filtro y extraiga el tornillo de seguridad del conmutador.
 - extraiga el ensamblado completo de motor/ventilador/batería
- ◆ Extraiga la batería del montaje principal.
- ◆ Ubique la batería en un embalaje adecuado para garantizar que no se pueda crear un cortocircuito con los terminales.
- ◆ Llévela a su agente de reparaciones o a un centro de reciclaje local.

Una vez extraída, la batería no se puede volver a colocar.

Características técnicas

	DV9605TN H2	DV1205TN H2
Voltaje	V de cc 9.6	12.0
Batería	Tipo NiCD/NiMH	NiCD/NiMH
Peso	kg 1,3	1,4
Cabeza		
Peso	kg 1,6	1,7

Cargador	*A135040I	CHA002014*	CHA00302*	*A140020D
Modelo	DV12	DV12	DV12	DV96
Voltaje de entrada	V de ca 230	100-240	100-240	230
Voltaje de salida	13,5 V de ca	7,2-24 V de cc	7,2-24 V de cc	14 V de ca
Corriente de salida	mA 400	85	130	200
Tiempo de carga aproximado	h 24	24	24	24
Peso	kg 0,3	0,3	0,3	0,3

Nivel de presión de sonora de acuerdo con la directiva EN 60704-1: <70 dB (A)

Garantía

Black & Decker confía plenamente en la calidad de sus productos y ofrece una garantía extraordinaria. Esta declaración de garantía es un añadido, y en ningún caso un perjuicio para sus derechos estatutarios. La garantía es válida dentro

de los territorios de los Estados miembros de la Unión Europea y de los de la Zona Europea de Libre Comercio. Si cualquier producto de Black & Decker resultara defectuoso debido a materiales o mano de obra defectuosos o a la falta de conformidad, Black & Decker

garantiza, dentro de los 24 meses posteriores a la fecha de compra, la sustitución de las piezas defectuosas, la reparación de los productos sujetos a un desgaste y rotura razonables o la sustitución de tales productos para garantizar al cliente el mínimo de inconvenientes, a menos que:

- ◆ El producto se haya utilizado con propósitos comerciales, profesionales o de alquiler.
- ◆ El producto se haya sometido a un uso inadecuado o negligente.
- ◆ El producto haya sufrido daños causados por objetos o sustancias extrañas o accidentes.
- ◆ Se hayan realizado reparaciones por parte de personas que no sean del servicio técnico autorizado o personal de servicios de Black & Decker.

Para reclamar en garantía, será necesario que presente la prueba de compra al vendedor o al servicio técnico de reparaciones autorizado. Pueden consultar la dirección de su servicio técnico más cercano poniéndose en contacto con la oficina local de Black & Decker en la dirección que se indica en este manual. Como alternativa, se puede consultar en Internet, en la dirección siguiente, la lista de servicios técnicos autorizados e información completa de nuestros servicios de posventa y contactos:

www.2helpU.com

Visite el sitio web

www.blackanddecker.eu para registrar su nuevo producto Black & Decker y estar al día sobre productos y ofertas especiales. Encontrará información adicional sobre la marca Black & Decker y nuestra gama de productos en **www.blackanddecker.eu**.

Utilização

O seu aspirador portátil Black & Decker Dustbuster® foi concebido para limpezas leves. Este aparelho destina-se apenas a utilização doméstica.

Informações sobre Design e Patentes

Números de Registo de Design CE:

- ◆ 607643-0001
- ◆ 607668-0001
- ◆ 607650-0001
- ◆ 897764-0001

Instruções de segurança

Advertência! Ao utilizar aparelhos alimentados a bateria, deve sempre cumprir medidas de segurança básicas, incluindo as seguintes, de modo a reduzir os riscos de incêndio, fuga do líquido da bateria, lesões pessoais e danos materiais.

- ◆ Leia cuidadosamente o manual completo antes de utilizar este aparelho.
- ◆ A utilização prevista para este aparelho está descrita no manual. A utilização de qualquer acessório ou a realização de qualquer operação com este aparelho que não se inclua no presente manual de instruções poderá representar um risco de ferimentos pessoais.
- ◆ Conserve este manual para referência futura.

Utilizar o seu aparelho

- ◆ Não utilize este aparelho para aspirar líquidos ou quaisquer materiais combustíveis.
- ◆ Não utilize este aparelho perto da água.
- ◆ Não mergulhe o aparelho em água.
- ◆ Nunca puxe pelo cabo do carregador para desligar o carregador da tomada. Mantenha o cabo do carregador afastado do calor, combustíveis e esquinas afiadas.
- ◆ Este aparelho não deve ser utilizado por pessoas (incluindo crianças) que apresentem capacidades físicas, sensoriais ou mentais reduzidas ou que não possuam os conhecimentos

e a experiência necessários, excepto se forem vigiadas e instruídas acerca da utilização do aparelho por uma pessoa responsável pela sua segurança. As crianças deverão ser vigiadas para que não mexam no aparelho.

Após a utilização

- ◆ Desligue o carregador ou a base de carga antes de os limpar.
- ◆ Quando não estiver a ser utilizado, o aparelho deve ser armazenado num local seco.
- ◆ As crianças não devem ter acesso aos aparelhos armazenados.

Inspecção e reparações

- ◆ Antes da utilização, verifique o aparelho quanto a peças danificadas ou avariadas. Verifique se há peças partidas, danos nos interruptores ou outro tipo de condições que possam afectar o seu funcionamento.
- ◆ Não utilize este aparelho se alguma das suas peças estiver danificada ou com defeito.
- ◆ Qualquer peça com dano ou defeito deverá ser reparada ou substituída por um agente autorizado.
- ◆ Verifique regularmente se existem danos no cabo do carregador. Substitua o carregador se o cabo danificado ou com defeito.
- ◆ Nunca tente retirar ou substituir quaisquer peças que não as especificadas neste manual.

Segurança de terceiros

- ◆ Este aparelho não deve ser utilizado por pessoas (incluindo crianças) que apresentem capacidades físicas, sensoriais ou mentais reduzidas ou que não possuam os conhecimentos e a experiência necessários, excepto se forem vigiadas e instruídas acerca da utilização do aparelho por uma pessoa responsável pela sua segurança.
- ◆ As crianças deverão ser vigiadas para que não mexam no aparelho.

Instruções de segurança adicionais para baterias e carregadores

Baterias

- ◆ Nunca tente abrir a bateria por motivo algum.
- ◆ Não exponha a bateria à água.
- ◆ Não exponha a bateria ao calor.
- ◆ Não armazene em locais onde a temperatura possa exceder os 40°C.
- ◆ Carregue apenas a temperaturas ambiente entre 10°C e 40°C.
- ◆ Carregue apenas com o carregador fornecido com o aparelho/ferramenta. A utilização do carregador errado pode resultar em choque eléctrico ou sobreaquecimento da bateria.
- ◆ Quando eliminar as baterias, siga as instruções da secção "Protecção do ambiente".
- ◆ Não danifique a bateria por perfuração ou impacto, pois poderá originar risco de ferimentos e incêndio.
- ◆ Não carregue baterias danificadas.
- ◆ Em condições extremas, pode ocorrer uma fuga nas baterias. Se detectar a fuga de líquido das baterias, limpe o líquido cuidadosamente com um pano. Evite o contacto com a pele.
- ◆ Em caso de contacto com a pele ou com os olhos, siga as instruções seguintes.

Atenção! O fluido da bateria pode causar ferimentos pessoais ou danos materiais. Em caso de contacto com a pele, enxágue imediatamente com água. Em caso de vermelhidão, dor ou irritação, contacte um médico. Em caso de contacto com os olhos, enxágue imediatamente com água limpa e contacte um médico.

Carregadores

O seu carregador foi concebido para uma tensão específica. Verifique sempre se a tensão de alimentação corresponde à tensão indicada na placa de especificações.

Atenção! Nunca tente substituir a unidade do carregador por uma tomada normal de alimentação.

- ◆ Utilize o seu carregador Black & Decker apenas para carregar a bateria do aparelho/ferramenta com que foi fornecido. Outras baterias poderão rebentar, provocando lesões pessoais e danos.
- ◆ Nunca tente carregar baterias não recarregáveis.
- ◆ Se o cabo de alimentação estiver danificado, terá de ser substituído pelo fabricante ou por um centro de assistência autorizado Black & Decker para evitar acidentes.
- ◆ Não exponha o carregador à água.
- ◆ Não abra o carregador.
- ◆ Não manipule o interior do carregador.
- ◆ O aparelho/ferramenta/bateria deve ser colocado numa área com boa ventilação durante o carregamento.

Segurança eléctrica

O seu carregador foi concebido para uma voltagem específica. Verifique sempre se a voltagem de alimentação corresponde à voltagem da placa informativa. Nunca tente substituir a unidade do carregador por uma tomada normal de alimentação.

Símbolos no Carregador



Leia com atenção todo o manual.



O seu carregador tem um isolamento duplo e, por isso, não é necessário um fio de terra.



Transformador de isolamento anti-falha. A alimentação está electricamente separada da saída do transformador.

130°C



O carregador desliga-se automaticamente se a temperatura se tornar demasiado elevada. Consequentemente o carregador fica inoperável. A base de carga deve ser desligada da alimentação e encaminhada para reparação num centro de serviço autorizado.



Apenas deverá ser feita uma utilização interior da base de carga

Funções

1. Recipiente de poeira
2. Solte o interruptor
3. Interruptor para ligar/desligar
4. Indicador de carga
5. Botão de limpeza de filtro
6. Base de carga
7. Cabeça de escova eléctrica

Fig. A

8. Escova
9. Acessório de ponta chata

Identificação do produto

O design do modelo pode ser determinado a partir dos sufixos utilizados no número do catálogo. Os seguintes números de catálogo são descritos neste manual:

- ◆ DV96VXZ ou DV12VXZ.

O código do sufixo V corresponde aos seguintes modelos:

- ◆ 05: Todas as unidades fornecidas com um pequeno acessório de ponta chata e uma escova.

O código do sufixo X representado pela letra T é utilizado para modelos com escova turbo.

O código de sufixo Z representado pela letra N é utilizado para modelos com baterias de NiMH.

Instalação

Fixar a base de carga na parede

A base de carga pode ser colocada numa superfície de trabalho ou fixada à parede para proporcionar uma arrumação e um ponto de carga do aparelho práticos.

Ao fixar o aparelho numa parede, certifique-se de que o método de fixação é adequado ao tipo de parede e ao peso do aparelho.

Nota: Tenha em atenção que a unidade não irá encaixar na base de carga de parede com a cabeça ligada.

Montagem

Encaixar a cabeça de escova ligada

A cabeça de escova (7) permite a aspiração de tapetes de veludo de pêlo cortado. A cabeça de escova é particularmente útil para aspirar cabelos, linhas, etc., bem como para alcatifas de pêlo curto.

- ◆ Introduza a cabeça de escova (7) na parte frontal do aparelho. Certifique-se de que a cabeça de escova está completamente introduzida no carregador.

Fixar os acessórios (fig. A e B)

Estes modelos são fornecidos com alguns ou todos os seguintes acessórios:

- ◆ Um acessório de ponta chata (9) para espaços exíguos.
- ◆ Uma escova (8) para móveis e escadas.

Para ajustar um acessório, proceda da seguinte forma:

- ◆ Retire o acessório das respectiva posição de armazenamento no aparelho (fig. J).
- ◆ Introduza o acessório adequado na parte frontal do aparelho, tal como ilustrado.

Riscos residuais

Podem surgir riscos residuais adicionais durante a utilização da ferramenta que poderão não constar nos avisos de segurança incluídos. Estes riscos podem

resultar de má utilização, uso prolongado, etc.

Mesmo com a aplicação dos regulamentos de segurança relevantes e com a implementação de dispositivos de segurança, alguns riscos residuais não podem ser evitados. Incluem:

- ◆ ferimentos causados pelo contacto com peças em rotação/movimento.
- ◆ ferimentos causados durante a troca de peças, lâminas ou acessórios.
- ◆ ferimentos causados pela utilização prolongada de uma ferramenta. Quando utilizar uma ferramenta por períodos prolongados, faça intervalos regulares.
- ◆ diminuição da audição.

problemas de saúde causados pela inalação de poeiras resultantes da utilização da ferramenta (exemplo: trabalhos em madeira, especialmente carvalho, faia e MDF).

Utilização

- ◆ Antes da primeira utilização, a bateria deve ser carregada durante pelo menos 24 horas.
- ◆ Coloque o aparelho na base de carga quando este não estiver a ser utilizado.

Carregar a bateria (fig. C)

Antes de carregar a bateria:

- ◆ Certifique-se de que o aparelho está desligado. A bateria não carrega com o interruptor para ligar/desligar (3) na posição ligado.
- ◆ Coloque o aparelho na base de carga (6) como é apresentado.
- ◆ Ligue o carregador. Ligue à corrente. O indicador de carga (4) estará aceso.
- ◆ Deixe o aparelho a carregar pelo menos 24 horas.

Ao carregar, o carregador pode aquecer. Isto é normal e não indicia qualquer problema. O aparelho pode ser deixado sempre ligado ao carregador. O indicador de carga (4) ficará aceso desde que o aparelho esteja fixo ao carregador ligado na tomada.

Advertência! Não carregue a bateria a temperaturas ambientes abaixo de 10°C ou acima de 40°C.

Ligar e desligar (fig. D)

- ◆ Para ligar o aparelho, faça deslizar para a frente o interruptor para ligar/desligar (3).
- ◆ Para desligar o aparelho, faça deslizar para trás o interruptor para ligar/desligar (3).

Optimização da potência de sucção (fig. E)

Para garantir uma potência de sucção otimizada, os filtros devem ser limpos regularmente durante a utilização.

- ◆ Faça deslizar o botão de limpeza de filtro (5) para cima e para baixo algumas vezes para retirar a poeira que causa a obstrução dos filtros (10 e 11).

Limpeza e manutenção

Advertência! Limpe regularmente os filtros (10 & 11).

Limpar a cabeça de escova

- ◆ Retire qualquer tipo de pêlos ou outros detritos que se encontrem à volta ou presos na barra de escovas de modo a garantir que esta roda livremente. Utilize um par de tesouras se for necessário.

Limpeza do recipiente de poeira e filtros (fig. F - I)

Os filtros são re-utilizáveis e devem ser limpos regularmente.

- ◆ Pressione o botão de desbloqueio (2) e retire o recipiente de poeira (1).
- ◆ Esvazie o recipiente de poeira (1) (fig. G).
- ◆ Retire os filtros (10 e 11), rodando-os no sentido dos ponteiros do relógio (fig. H).
- ◆ Separe os filtros (10 e 11).
- ◆ Escove quaisquer poeiras soltas dos filtros (10 e 11).
- ◆ Lave os filtros em água morna com sabão (fig. I).

Advertência! Não mergulhe o aparelho em água.

- ◆ Certifique-se de que o recipiente de poeira (1) e os filtros (10 e 11) estão secos.
- ◆ Volte a colocar os filtros (10 e 11) no aparelho, rodando-os no sentido contrário ao dos ponteiros do relógio até encaixarem na devida posição.
- ◆ Volte a colocar o recipiente de poeira (1) no aparelho. Certifique-se de que ouve um clique de encaixe do recipiente de poeira.

Advertência! Nunca utilize o aparelho sem filtros. Apenas será obtida uma excelente recolha das poeiras com os filtros limpos.

Recolocação dos filtros.

Os filtros deverão ser substituídos cada 6 a 9 meses e sempre que gastos ou danificados. Está disponível um filtro para substituição junto do seu revendedor Black & Decker (cat. n.ºVF70):

- ◆ Retire os filtros usados como indicado acima.
- ◆ Coloque os filtros novos como indicado acima.

Armazenar os acessórios (fig. J)

- ◆ Pressione os acessórios nos suportes correspondentes até ouvir um som de encaixe.

Protecção do ambiente



Recolha separada. Este produto não pode ser eliminado juntamente com os resíduos domésticos normais.

Se, em algum momento, verificar que o seu produto Black & Decker precisa de ser substituído ou que deixou de ter utilidade, não o elimine junto com os resíduos domésticos. Coloque-o disponível para uma recolha separada.



A recolha separada de produtos e embalagens usados permite que os materiais sejam reciclados e novamente utilizados. A reutilização de materiais reciclados ajuda a evitar a poluição ambiental e reduz a procura de matérias-primas.

A legislação local poderá prever a recolha separada de produtos domésticos eléctricos, seja em lixeiras municipais ou através do revendedor quando adquire um produto novo.

A Black & Decker dispõe de instalações para recolha e reciclagem de produtos Black & Decker quando estes atingem o fim da sua vida útil. Para usufruir deste serviço, devolva o produto em qualquer agente de reparação autorizado, que os recolherá em seu nome.

Pode verificar a localização do agente de reparação autorizado mais perto de si, contactando os escritórios locais da Black & Decker através do endereço indicado neste manual. Se preferir, pode encontrar na Internet uma lista de agentes de reparação autorizados Black & Decker, detalhes completos e contactos do serviço pós-venda, no endereço: www.2helpU.com.

Bateria (fig. K)



Se pretender eliminar o produto, deverá retirar a bateria tal como abaixo descrito, eliminando-a de acordo com os regulamentos locais.

- ◆ É preferível que descarregue a bateria colocando o aparelho em funcionamento até o motor parar.
- ◆ Pressione o botão de desbloqueio (2) e retire o recipiente de poeira (1).
- ◆ Retire os filtros (10 e 11), rodando-os no sentido dos ponteiros do relógio (fig. H).
- ◆ Retire os sete parafusos que fixam a estrutura do aparelho.

- ◆ Puxe metade da tampa para fora da respectiva posição.
- ◆ Para os números de catálogo DV96VXZ e DV12VXZ,
 - force a tampa pequena da patilha de limpeza de filtro e retire o parafuso de fixação da patilha.
 - retire todo o conjunto do motor/ventoinha/bateria.
- ◆ Desligue o conjunto da bateria do conjunto principal.
- ◆ Coloque a bateria numa embalagem adequada, certificando-se de que os terminais não entram em curto-circuito.
- ◆ Leve a bateria ao seu agente de manutenção ou a uma estação de reciclagem local.

Depois de removida, a bateria não pode ser re-inserida.

Dados técnicos

	DV9605TN H2	DV1205TN H2
Tensão	Vdc 9.6	12.0
Pilha	Tipo NiCD/NiMH	NiCD/NiMH
Peso	kg 1,3	1,4
Cabeça		
Peso	kg 1,6	1,7

Carregador	*A135040I	CHA002014*	CHA00302*	*A140020D
Modelo	DV12	DV12	DV12	DV96
Voltagem de entrada	Vac 230	100-240	100-240	230
Voltagem de saída	13,5 Vac	7,2-24 Vdc	7,2-24 Vdc	14 Vac
Corrente de saída	mA 400	85	130	200
Tempo de carga aprox.	h 24	24	24	24
Peso	kg 0,3	0,3	0,3	0,3

Nível de pressão sonora de acordo com EN 60704-1: <70 dB(A)

Garantia

A Black & Decker confia na qualidade dos seus produtos e oferece uma garantia excelente. Esta declaração de garantia é um complemento dos seus direitos estabelecidos por lei, não os prejudicando de forma alguma. A garantia é válida nos territórios dos Estados Membros da União Europeia e da Associação Europeia de Comércio Livre.

Se um produto Black & Decker se avariar devido a defeitos de material, fabrico ou não conformidade, num período de 24 meses após a data da compra, a Black & Decker garante a substituição de peças

defeituosas, a reparação de produtos sujeitos a um desgaste aceitável ou a substituição dos mesmos para garantir o mínimo de inconveniente ao cliente, excepto se:

- ◆ O produto tiver sido utilizado para fins comerciais, profissionais ou de aluguer.
- ◆ O produto tiver sido submetido a utilização indevida ou descuido.
- ◆ O produto tiver sido danificado por objectos estranhos, substâncias ou acidentes.
- ◆ Tiverem sido tentadas reparações por pessoas que não sejam agentes de reparação autorizados ou técnicos de manutenção da Black & Decker.

Para accionar a garantia, terá de apresentar comprovativos de compra ao vendedor ou a um agente de reparação autorizado. Pode verificar a localização do agente de reparação autorizado mais perto de si, contactando os escritórios locais da Black & Decker através do endereço indicado neste manual. Se preferir, pode encontrar na Internet uma lista de agentes de reparação autorizados Black & Decker, detalhes completos e contactos do serviço pós-venda, no endereço:

www.2helpU.com

Visite o nosso website

www.blackanddecker.eu para registar o novo produto Black & Decker e manter-se actualizado relativamente a novos produtos e ofertas especiais. Pode encontrar mais informações sobre a marca Black & Decker e nossa gama de produtos em **www.blackanddecker.eu**.

Användningsområde

Din Dustbuster®-handdammsugare från Black & Decker har skapats för torrdammsugning. Apparaten är endast avsedd för hemmabruk.

Design- och patentinformation

Designregistreringsnummer inom EG:

- ◆ 607643-0001
- ◆ 607668-0001
- ◆ 607650-0001
- ◆ 897764-0001

Säkerhetsinstruktioner

Varning! För att minska risken för brand, läckande batterier, personskador och materialskador ska du alltid följa grundläggande säkerhetsföreskrifter, inklusive de som följer, vid användning av batteridrivna apparater.

- ◆ Läs den här bruksanvisningen noggrant innan du använder apparaten.
- ◆ Användningsområdet beskrivs i den här bruksanvisningen. Om andra tillbehör eller tillsatser än de som rekommenderas i den här bruksanvisningen används med apparaten, eller om apparaten används på något annat sätt än vad som rekommenderas i den här bruksanvisningen, kan personer och/eller egendom ta skada.
- ◆ Behåll bruksanvisningen för framtida referens.

Använda apparaten

- ◆ Använd inte apparaten för att suga upp vätskor eller material som kan fatta eld.
- ◆ Använd inte apparaten i närheten av vatten.
- ◆ Doppa aldrig apparaten i vatten.
- ◆ Dra aldrig i sladden till laddaren när du drar ut den från vägguttaget. Håll sladden till laddaren borta från värme, olja och vassa kanter.
- ◆ Denna apparat är inte avsedd att användas av personer (inklusive barn) som har nedsatt funktion i sinnesorganen, som har nedsatt fysisk eller mental förmåga, eller som

saknar erfarenhet och kunskap, utom i de fall då en person som är ansvarig för deras säkerhet övervakar dem eller instruerar dem i hur apparaten ska användas. Barn måste hållas under uppsikt så att de inte leker med apparaten.

Efter användning

- ◆ Dra ur sladden till laddaren innan du rengör den.
- ◆ När den inte används bör apparaten förvaras torrt.
- ◆ Placera apparaten på ett ställe där barn inte kan komma åt den.

Kontroll och reparationer

- ◆ Kontrollera att apparaten är hel och att den inte innehåller några skadade delar innan du använder den. Kontrollera att inga delar är trasiga, att strömbrytaren fungerar och att inget annat föreligger som kan påverka apparatens funktioner.
- ◆ Använd inte apparaten om någon del har skadats eller gått sönder.
- ◆ Reparera eller byt ut skadade eller trasiga delar på en auktoriserad verkstad.
- ◆ Kontrollera regelbundet att sladden till laddaren inte har skadats. Byt ut laddaren om sladden är skadad eller trasig.
- ◆ Försök aldrig ta bort eller byta ut andra delar än dem som anges i den här bruksanvisningen.

Säkerhet för andra

- ◆ Apparaten ska inte användas av personer (inklusive barn) med nedsatt fysisk eller psykisk förmåga eller bristande erfarenhet eller kunskap om de inte får vägledning och övervakas av en person som ansvarar för deras säkerhet.
- ◆ Barn ska hållas under uppsikt så att de inte leker med apparaten.

Ytterligare säkerhetsinstruktioner för batterier och laddare

Batterier

- ◆ Försök aldrig att öppna batterierna.
- ◆ Utsätt inte batteriet för vatten.

- ◆ Utsätt inte batteriet för värme.
- ◆ Förvara inte apparaten på platser där temperaturen kan bli högre än 40°C.
- ◆ Ladda endast vid lufttemperaturer mellan 10°C och 40°C.
- ◆ Ladda endast med hjälp av laddaren som medföljer apparaten. Användning av fel laddare kan resultera i en elektrisk stöt eller att batteriet överhettas.
- ◆ Följ instruktionerna i avsnittet "Miljö" när du gör dig av med batterier.
- ◆ Skydda batteriet från skador/ deformerings i form av slag och stötar eftersom det kan leda till personskador eller eldsåda.
- ◆ Ladda inte skadade batterier.
- ◆ Under extrema förhållanden kan batterierna läcka. Om det finns vätska på batterierna ska du torka bort vätskan försiktigt med en trasa. Undvik hudkontakt.
- ◆ Vid kontakt med hud eller ögon, följ instruktionerna nedan.

Varning! Batterivätskan kan orsaka person- eller materialskador. Vid hudkontakt, skölj genast med vatten. Vid rodnader, smärta eller irritation ska läkare uppsökas. Vid kontakt med ögon, skölj genast med rent vatten, och uppsök läkare.

Laddare

Laddaren är avsedd för en viss spänning. Kontrollera alltid att nätspänningen överensstämmer med värdet på typskylten.

Varning! Försök aldrig byta ut kontakten till laddaren mot en vanlig kontakt.

- ◆ Använd laddaren från Black & Decker endast för att ladda batteriet i den apparat som laddaren levererades med. Andra batterier kan spricka och orsaka personskador och andra skador.
- ◆ Försök aldrig att ladda ej uppladdningsbara batterier.
- ◆ Om nätsladden är skadad måste den för undvikande av fara bytas ut av tillverkaren eller en auktoriserad Black & Decker-verkstad.
- ◆ Utsätt inte laddaren för vatten.
- ◆ Öppna inte laddaren.

- ◆ Gör ingen åverkan på laddaren.
- ◆ Apparaten/verktyget/batteriet ska placeras på en plats med god ventilation vid laddning.

Elektrisk säkerhet

Laddaren är avsedd för en viss spänning. Kontrollera alltid att nätspänningen överensstämmer med värdet på typskylten. Försök aldrig byta ut kontakten till laddaren mot en vanlig kontakt.

Symboler på laddaren



Läs noga igenom hela denna handbok.



Eftersom laddaren är dubbelisolerad behövs ingen jordledare.



Helsäker isoleringstransformator. Elnätet är elektriskt avskilt från transformatorns uteffekt.



Laddaren stängs av automatiskt om temperaturen blir för hög. Den går då inte längre att använda. Laddaren måste kopplas från eluttaget och tas till en auktoriserad verkstad för reparation.



Laddaren är endast avsedd för användning inomhus

Funktioner

1. Dammuppsamlare
2. Låsknapp
3. Strömbrytare
4. Laddningsindikator
5. Filterrengöringsknapp
6. Laddare
7. Motorborsthuvud

Bild A

8. Borstmunstycke
9. Elementmunstycke

Identifiera din produkt

Med hjälp av tilläggskoderna i artikelnumret kan du se vad som gäller för din produkt. Denna bruksanvisning gäller för följande modeller:

- ◆ DV96VXZ eller DV12VXZ.

Tilläggs-koden V finns i artikelnumren för följande modeller:

- ◆ 05: Alla enheter som har ett litet elementmunstycke och ett borstmunstycke.

Tilläggs-koden X som representeras av bokstaven T används för modeller som har turboborste.

Tilläggs-koden Z som representeras av bokstaven N används för modeller som har ett NiMH-batteri.

Installation

Montera laddaren på väggen

Laddaren kan placeras på ett bord eller monteras på väggen för att du enkelt ska kunna förvara och ladda apparaten.

Om du monterar den på väggen ska du göra det på ett sätt som är lämpligt för väggtypen och för apparatens vikt.

Obs! Apparaten kan inte sättas i den väggmonterade laddaren om motorborsthuvudet är påsatt.

Montering

Sätta på motorborsthuvudet

Med motorborsthuvudet (7) kan du dammsuga mattor med skuren lugg. Borsthuvudet är särskilt användbart för att suga upp till exempel hårstrån, trådar etc.

- ◆ För in borsthuvudet (7) längst fram på apparaten. Se till att borsthuvudet är helt inskjutet.

Montera tillbehören (fig. A & B)

De här modellerna levereras med alla eller några av följande tillbehör:

- ◆ Ett elementmunstycke (9) för trånga utrymmen.
- ◆ Ett borstmunstycke (8) för möbler och trappor.

Montera tillbehören enligt följande:

- ◆ Ta ut tillbehöret ur förvaringsutrymmet på apparaten (fig. J).
- ◆ Montera tillbehöret längst fram på apparaten.

Övriga risker

Ytterligare risker som inte finns med i de bifogade säkerhetsföreskrifterna kan uppstå när verktyget används. Dessa risker kan uppstå vid felaktig eller långvarig användning, etc.

Även om alla relevanta säkerhetsföreskrifter följs och säkerhetsanordningar används kan vissa ytterligare risker inte undvikas. Dessa innefattar:

- ◆ Skador orsakade av att roterande/rörliga delar vidrörs.
- ◆ Skador som uppstår vid byte av delar, blad eller tillbehör.
- ◆ Skador som orsakas av långvarig användning av ett verktyg. Se till att ta regelbundna raster när du använder ett verktyg under en längre period.
- ◆ Skador på hörseln.
- ◆ Hälsorisker orsakade av inandning av damm när verktyget används (exempel: arbete med trä, särskilt ek, bok och MDF).

Användning

- ◆ Innan apparaten används första gången måste batteriet laddas i minst 24 timmar.
- ◆ Placera apparaten i laddaren när den inte används.

Ladda batteriet (fig. C)

Innan du laddar batteriet:

- ◆ Kontrollera att apparaten är avstängd. Batteriet laddas inte om strömbrytaren (3) är i läget på.
- ◆ Placera apparaten i laddaren (6) enligt bilden.
- ◆ Anslut laddaren till elnätet.

Laddningsindikatorn (4) börjar lysa.

- ◆ Låt apparaten laddas i minst 24 timmar.

Medan apparaten laddas kan laddaren bli varm. Det är normalt och innebär inte att något är fel. Apparaten kan lämnas ansluten till laddaren hur länge som helst. Laddningsindikatorn (4) lyser när apparaten är ansluten till laddaren och laddaren är ansluten till ett eluttag.

Varning! Ladda inte batteriet om temperaturen är lägre än 10°C eller högre än 40°C.

Starta och stänga av (fig. D)

- ◆ Slå på apparaten genom att föra strömbrytaren (3) framåt.
- ◆ Stäng av apparaten genom att föra strömbrytaren (3) bakåt.

Optimera sugkraften (fig. E)

Filtren bör rengöras regelbundet för att optimera sugkraften.

- ◆ Skjut filterrengöringsknappen (5) uppåt och nedåt några gånger för att skaka loss damm som täpper till filtren (10 och 11).

Rengöra och underhålla

Varning! Rengör filtren med jämna mellanrum (10 och 11).

Rengöra motorborsthuvudet

- ◆ Ta bort hår och annat skräp som sitter fast på eller i närheten av borstvalsen så att den kan rotera fritt. Använd en sax om det behövs.

Rengöra dammuppsamlaren och filtren (fig. F - I)

Filtren kan återanvändas och bör rengöras med jämna mellanrum.

- ◆ Tryck på låsknappen (2) och ta av dammuppsamlaren (1).

- ◆ Töm dammuppsamlaren (1) (fig. G).
- ◆ Ta av filtren (10 och 11) genom att vrida dem medurs (fig. H).
- ◆ Separera filtren från varandra (10 och 11).
- ◆ Borsta bort eventuellt damm från filtren (10 och 11).
- ◆ Tvätta filtren i varmt tvålatten (fig. I).

Varning! Doppa aldrig apparaten i vatten.

- ◆ Se till att dammuppsamlaren (1) och filtren (10 och 11) är helt torra.
- ◆ Sätt tillbaka filtren (10 och 11) i apparaten genom att vrida dem moturs tills de låses på plats.
- ◆ Sätt tillbaka dammuppsamlaren (1) på apparaten och se till att den klickar på plats.

Varning! Använd aldrig apparaten utan filtren. Dammsugningen fungerar bäst med rena filter.

Byta filtren

Filtren bör bytas ut var sjätte till nionde månad, eller tidigare om de är utslitna eller trasiga. Ersättningsfilter finns att köpa hos din Black & Decker-återförsäljare (katalog-nr VF70):

- ◆ Ta loss de gamla filtren enligt beskrivningen ovan.
- ◆ Montera de nya filtren enligt beskrivningen ovan.

Förvara tillbehören (fig. J)

- ◆ Tryck in tillbehören i respektive hållare tills det klickar till.

Miljö

Separat insamling. Produkten får inte kastas i hushållssoporna.

Tänk på miljön när du slänger denna Black & Decker-produkt. Släng den inte tillsammans med hushållsavfallet. Lämna produkten för separat insamling.



Separat insamling av uttjänta produkter och förpackningsmaterial gör att material kan återanvändas. Användning av återvunnet material minskar föroreningar av miljön och behovet av råmaterial.

Lokala föreskrifter kan kräva separat insamling av elprodukter från hushållen, vid kommunala insamlingsplatser eller hos återförsäljaren när du köper en ny produkt.

Black & Decker samlar in och återvinner uttjänta Black & Decker-produkter. Om du vill utnyttja denna tjänst återlämnar du produkten till en auktoriserad verkstad, som samlar in den för vår räkning.

För information om närmaste auktoriserade verkstad, kontakta det lokala Black & Decker-kontoret på den adress som är angiven i bruksanvisningen. En lista över alla auktoriserade verkstäder samt servicevillkor finns även tillgänglig på Internet: www.2helpU.com.

Batteri (fig. K)



Om du vill kassera produkten på egen hand måste batteriet tas bort enligt beskrivningen nedan och kastas enligt lokala bestämmelser.

- ◆ Du bör ladda ur batteriet genom att låta dammsugaren vara påslagen tills motorn stannar.
- ◆ Tryck på låsknappen (2) och ta av dammupsamlaren (1).
- ◆ Ta av filtren (10 och 11) genom att vrida dem medurs (fig. H).
- ◆ Ta bort de sju skruvarna som håller ihop apparatens hölje.
- ◆ Dra höljet halvvägs bort från apparatens mitt.
- ◆ Gör följande för produkter med artikelnummer DV96VXZ och DV12VXZ:

- bänd loss det lilla höljet från filterrengöringsreglaget och ta bort skruven som håller fast reglaget.
- ta ut hela motor-/fläkt-/batterienheten.
- ◆ Ta av batterienheten från huvudenheten.
- ◆ Packa in batteriet så att polerna inte kan kortslutas.
- ◆ Ta med batteriet till en verkstad eller en återvinningsstation.

När batteriet har tagits ur går det inte att sätta tillbaka det.

Tekniska data

	DV9605TN H2	DV1205TN H2
Spänning	Vdc 9,6	12,0
Batteri	Typ NiCD/NiMH	NiCD/NiMH
Vikt	kg 1,3	1,4
Huvud		
Vikt	kg 1,6	1,7

Laddare	*A135040I	CHA002014*	CHA00302*	*A140020D
Modell	DV12	DV12	DV12	DV96
Inspänning	Vac 230	100-240	100-240	230
Utspänning	13,5 Vac	7,2-24 Vdc	7,2-24 Vdc	14 Vac
Utström	mA 400	85	130	200
Laddningstid cirka	tim 24	24	24	24
Vikt	kg 0,3	0,3	0,3	0,3

Ljudnivå, mätt enligt EN 60704-1: <70 dB (A)

Garanti

Black & Decker garanterar att produkten är fri från material- och/eller fabrikationsfel vid leverans till kund.

Garantin gäller utöver konsumentens rättigheter enligt lag och påverkar inte dessa. Garantin gäller inom medlemsstaterna i Europeiska Unionen och i det Europeiska Frihandelsområdet.

Om en Black & Decker-produkt går sönder på grund av material- och/eller fabrikationsfel eller brister i överensstämmelse med specifikationen, inom 24 månader från köpet, åtar sig Black & Decker att reparera eller byta ut produkten med minsta besvär för kunden, förutom om:

- ◆ Produkten har använts i kommersiellt, yrkesmässigt eller uthyringssyfte.
- ◆ Produkten har utsatts för felaktig användning eller skötsel.
- ◆ Produkten har skadats av främmande föremål, ämnen eller genom olyckshändelse.
- ◆ Reparation har utförts av någon annan än en auktoriserad Black & Decker-verkstad.

För att utnyttja garantin skall produkten och inköpskvittot lämnas till återförsäljaren eller till en auktoriserad verkstad senast 2 månader efter det att felet har upptäckts. För information om närmaste auktoriserad verkstad, kontakta det lokala Black & Decker-kontoret på den adress som är angiven i bruksanvisningen. En lista på alla auktoriserade verkstäder samt servicevillkor finns även tillgängliga på Internet:

www.2helpU.com

Besök vår webbplats

www.blackanddecker.se för att registrera din nya Black & Decker-produkt samt för att erhålla information om nya produkter och specialerbjudanden. Vidare information om märket Black & Decker och vårt produktsortiment återfinns på **www.blackanddecker.se**.

Bruksområde

Den håndholdte støvsugeren Dustbuster® fra Black & Decker er konstruert for lett støvsuging på tørre overflater. Apparatet er kun tiltenkt for bruk i husholdningen.

Konstruksjons- og patentinformasjon

Konstruksjonsregistreringsnumre (EF):

- ◆ 607643-0001
- ◆ 607668-0001
- ◆ 607650-0001
- ◆ 897764-0001

Sikkerhetsinstrukser

Advarsel! Ved bruk av batteridrevne apparater må grunnleggende sikkerhetsforholdsregler (inkludert punktene som er beskrevet nedenfor) alltid følges for å redusere risikoen for brann, batterilekkasje, personskade og skade på materiell.

- ◆ Les hele håndboken nøye før du bruker apparatet.
- ◆ Tiltenkt bruk er beskrevet i denne håndboken. Bruk av tilbehør eller utføring av oppgaver som ikke er anbefalt for apparatet i denne håndboken, kan medføre fare for personskade.
- ◆ Oppbevar håndboken for fremtidig referanse.

Bruk av apparatet

- ◆ Ikke bruk apparatet til å suge opp væske eller materialer som kan ta fyr.
- ◆ Ikke bruk apparatet i nærheten av vann.
- ◆ Ikke senk apparatet ned i vann.
- ◆ Ikke dra i ledningen når du skal fjerne laderen fra stikkkontakten. Hold ledningen til laderen borte fra varmekilder, olje og skarpe kanter.
- ◆ Det er ikke meningen at dette apparatet skal brukes av personer (inkludert barn) med reduserte fysiske, sansemessige eller mentale evner, eller som mangler erfaring og kunnskap, med mindre de har fått oppfølging eller instruksjon når det gjelder bruken av apparatet, fra en

person som er ansvarlig for deres sikkerhet. Barn skal være under oppsyn så det sikres at de ikke leker med apparatet.

Etter bruk

- ◆ Fjern laderen fra stikkkontakten før du rengjør selve laderen eller ladeenheten.
- ◆ Når apparatet ikke er i bruk, skal det oppbevares på et tørt sted.
- ◆ Barn skal ikke ha tilgang til apparater som ikke er i bruk.

Kontroll og reparasjon

- ◆ Kontroller at apparatet ikke er skadet eller har defekte deler før du bruker det. Kontroller om noen av delene har sprekker, om bryterne er skadet eller om det er andre forhold som kan ha innvirkning på driften.
- ◆ Ikke bruk apparatet hvis det har skadde eller defekte deler.
- ◆ Overlat reparasjon eller utskifting av skadde eller defekte deler til et autorisert serviceverksted.
- ◆ Kontroller jevnlig om ledningen til laderen er skadd. Skift ut laderen hvis ledningen har skade eller laderen ikke virker slik den skal.
- ◆ Forsøk aldri å fjerne eller skifte ut andre deler enn de som er oppgitt i denne håndboken.

Andre personers sikkerhet

- ◆ Det er ikke meningen at dette apparatet skal brukes av personer (inkludert barn) med reduserte fysiske, sansemessige eller mentale evner, eller som mangler erfaring og kunnskap, med mindre de har fått oppfølging eller instruksjon når det gjelder bruken av apparatet, fra en person som er ansvarlig for deres sikkerhet.
- ◆ Barn skal være under tilsyn så du er sikker på at de ikke leker med apparatet.

Ytterligere sikkerhetsinstruksjoner for batterier og ladere

Batterier

- ◆ Forsøk aldri å åpne uansett hvilket formål du måtte ha.
- ◆ Ikke utsett batteriet for vann.
- ◆ Ikke utsett batteriet for varme.
- ◆ Skal ikke oppbevares på steder der temperaturen kan overskride 40°C.
- ◆ Skal lades bare ved omgivelsestemperaturer mellom 10°C og 40°C.
- ◆ Bruk bare ladere av typen som følger med maskinen/redskapet. Hvis du bruker feil lader, kan dette føre til et elektrisk støt eller at batteriet overopphetes.
- ◆ Følg instruksjonene i avsnittet "Miljø" når du skal kaste batterier.
- ◆ Ikke skad eller deformer batteripakken ved punktering eller støt, da dette kan føre til risiko for personskade og brann.
- ◆ Ikke lad skadede batterier.
- ◆ Under ekstreme forhold kan det forekomme batterilekkasje. Hvis du oppdager væske på batteriene, må du tørke den forsiktig av med en klut. Unngå kontakt med huden.
- ◆ Hvis væsken kommer i kontakt med huden eller øynene, følger du instruksjonene nedenfor.

Advarsel! Batterivæsken kan føre til personskade eller skade på eiendom. Ved hudkontakt skyller du umiddelbart med vann. Hvis huden blir rød eller irritert eller smerter inntreffer, søk øyeblikkelig medisinsk hjelp. Hvis væsken kommer i kontakt med øynene, skyller du umiddelbart med rent vann og søker øyeblikkelig medisinsk hjelp.

Ladere

Ladere er konstruert for en bestemt spenning. Kontroller alltid at nettspenningen er i overensstemmelse med spenningen på typeskiltet.

Advarsel! Prøv aldri å skifte ut laderen med et vanlig nettstøpsel.

- ◆ Black & Decker-ladere skal bare brukes til å lade batteriet i apparatet/

verktøyet som laderen kom sammen med. Andre batterier kan sprekke og føre til personskade og materiell skade.

- ◆ Prøv aldri å lade ikke-oppladbare batterier.
- ◆ Hvis strømledningen blir skadet, må den skiftes av produsenten eller et autorisert Black & Decker-servicesenter for å unngå fare.
- ◆ Ikke utsett laderen for vann.
- ◆ Ikke åpne laderen.
- ◆ Ikke stikk gjenstander eller fingre ned i laderen.
- ◆ Apparatet/verktøyet/batteriet må plasseres på et sted med god gjennomlufting når det lades.

Elektrisk sikkerhet

Ladere er konstruert for en bestemt spenning. Kontroller alltid at nettspenningen er i overensstemmelse med spenningen på typeskiltet. Prøv aldri å skifte ut laderen med en vanlig nettplugg.

Symboler på laderen



Les hele denne bruksanvisningen grundig.



Dette laderen er dobbeltisolert. Jording er derfor ikke nødvendig.



Feilsikker skilletransformator. Nettstrømtilførselen er elektrisk skilt fra transformatorutgangen.



Ladere slår seg av automatisk hvis temperaturen i omgivelsene blir for høy. Som følge av dette vil ikke laderen virke. Ladeenheten må kobles fra strømforsyningen og repareres på et autorisert serviceverksted.



Ladeenheten er bare tiltenkt for bruk innendørs

Funksjoner

1. Støvoppsamler
2. Utløserknapp
3. Strømbryter
4. Ladningsindikator
5. Filterrengjøringsknapp
6. Ladeenhet
7. Strømforsynt børstehode

Figur A

8. Børsteverktøy
9. Smalt sugestykke

Identifisere produktet

Modellen kan bestemmes ved hjelp av suffikskodene i katalognumrene.

Følgende katalognumre er beskrevet i denne håndboken:

- ◆ DV96VXZ eller DV12VXZ.

Suffikskoden V svarer til disse modellene:

- ◆ 05: Alle enheter som har smalt sugestykke og børste.

Suffikskoden X med bokstaven T blir brukt for modeller med turbobørste.

Suffikskoden Z med bokstaven N blir brukt for modeller med NiMH-batteri.

Montering

Montering av ladeenheten på vegg

Ladeenheten kan plasseres på en benkeplate eller festes til vegg for å fungere som praktisk oppbevarings- og ladningssted for apparatet.

Ved montering på vegg må du sørge for at festemetoden passer til veggtypen og at festet kan bære vekten av apparatet.

Merknad: Legg merke til at enheten ikke kan settes på en veggmontert ladeenhet med det strømforsynte hodet påmontert.

Montering

Sette på det strømforsynte børstehodet

Børstehodet (7) egner seg spesielt godt til støvsuging av lodne tepper. Børstehodet er særlig effektivt til å plukke opp hår, tråder osv.

- ◆ Sett inn børstehodet (7) foran på apparatet. Pass på at børstehodet er skjøvet helt inn.

Sette på tilbehør (figur A og B)

Disse modellene leveres med noe eller alt av følgende tilbehør:

- ◆ Et smalt sugestykke (9) for vanskelig tilgjengelige steder.
- ◆ En børste (8) for møbler og trapper.

Når du skal sette på et tilbehør, gjør du følgende:

- ◆ Ta frem tilbehøret fra oppbevaringsplassen på apparatet (figur J).
- ◆ Sett på det aktuelle tilbehøret fremst på apparatet.

Andre risikoer

Ved bruk av verktøyet kan det oppstå ytterligere risikoer som kanskje ikke er inkludert i sikkerhetsadvarslene som følger med. Disse risikoene kan bli forårsaket av feil bruk, langvarig bruk osv.

Selv om de relevante sikkerhetsbestemmelsene blir fulgt, og sikkerhetstiltakene blir gjennomført, kan visse gjenværende risikoer ikke unngås. Disse omfatter:

- ◆ Personskader som forårsakes av berøring av en roterende/bevegelig del.
- ◆ Personskader som forårsakes av at en del, et blad eller tilbehør endres.
- ◆ Personskader som forårsakes av langvarig bruk av et verktøy. Når du bruker et verktøy i lange perioder, må du sørge for å ta regelmessige pauser.
- ◆ Svekket hørsel.
- ◆ Helsefarer som forårsakes av innånding av støv som dannes når du bruker verktøyet (eksempel: arbeid med tre, spesielt eik, bøk og MDF).

Bruk

- ◆ Før førstegangs bruk skal batteriet lades i minst 24 timer.
- ◆ Sett apparatet i ladeenheten når det ikke er i bruk.

Ladning av batteriet (figur C)

Før du lader batteriet:

- ◆ Forsikre deg om at apparatet er slått av. Batteriet vil ikke bli ladet hvis på/av-bryteren (3) er i på-stillingen.
- ◆ Sett apparatet i ladeenheten (6) som vist.
- ◆ Sett laderen i stikkontakten. Slå på strømmen.

Ladningsindikatoren (4) slår seg på.

- ◆ La apparatet lade i minst 24 timer.

Under ladningen kan laderen bli varm. Dette er normalt og betyr ikke at noe er feil. Apparatet kan være tilkoblet laderen uten tidsbegrensning.

Ladningsindikatoren (4) vil lyse så lenge apparatet er tilkoblet den strømførende laderen.

Advarsel! Ikke lad batteriet hvis temperaturen i omgivelsene er under 10°C eller over 40°C.

Start og stopp (figur D)

- ◆ Når du skal slå apparatet på, skyver du på/av-bryteren (3) fremover.
- ◆ Når du skal slå apparatet av, skyver du på/av-bryteren (3) tilbake.

Optimalisering av sugekraften (figur E)

For å opprettholde best mulig sugekraft, må filtrene renses jevnlig under bruk.

- ◆ Skyv filterrengjøringsknappen (5) opp og ned noen få ganger for å riste ut støv som tetter filtrene (10 og 11).

Rengjøring og vedlikehold

Advarsel! Rengjør filtrene jevnlig (10 og 11).

Rengjøre børstehodet

- ◆ Sørg for fri rotasjon ved å fjerne hår eller annet avfall som har snodd seg rundt eller sitter fast nær børsten. Bruk saks om nødvendig.

Rengjøring av støvoppsamleren og filtrene (figur F–I)

Filtrene kan brukes på nytt og bør rengjøres jevnlig.

- ◆ Trykk på utløserknappen (2), og ta av støvoppsamleren (1).

- ◆ Tøm støvoppsamleren (1) (figur G).
- ◆ Ta ut filtrene (10 og 11) ved å vri dem med klokken (figur H).
- ◆ Skill filtrene fra hverandre (10 og 11).
- ◆ Børst alt løst støv av filtrene (10 og 11).
- ◆ Vask filtrene i varmt såpevann (figur I).

Advarsel! Ikke senk apparatet ned i vann.

- ◆ Forsikre deg om at støvoppsamleren (1) og filtrene (10 og 11) er tørre.
- ◆ Sett filtrene (10 og 11) inn igjen i apparatet, og vri dem mot klokken til de låses på plass.
- ◆ Sett støvoppsamleren (1) tilbake på apparatet. Forsikre deg om at støvoppsamleren klikker på plass.

Advarsel! Bruk aldri apparatet uten filtrene. Optimal støvsuging kan bare oppnås med rene filtre.

Utskifting av filtrene

Filtrene bør skiftes ut hver 6.–9. måned og ellers hvis de er slitte eller skadet. Du får et reservefilter hos din Black & Decker-forhandler (katalognummer VF70):

- ◆ Ta ut de gamle filtrene som beskrevet ovenfor.
- ◆ Sett inn de nye filtrene som beskrevet ovenfor.

Oppbevaring av tilbehør (figur J)

- ◆ Trykk tilbehøret på plass i de korresponderende sporene til du hører et klikk.

Miljø



Separat avfallshåndtering. Dette produktet må ikke kastes sammen med vanlig husholdningsavfall.

Når Black & Decker-produktet er utslitt, skal det ikke kastes som husholdningsavfall. Dette produktet må kastes separat.



Hvis brukte produkter og emballasje leveres atskilt, kan materialer resirkuleres og brukes på nytt. Resirkulering av brukte produkter gir redusert miljøforurensing og mindre behov for råmaterialer.

Det kan være lokale bestemmelser for egen innsamling av elektriske produkter fra husstander, på kommunale avfallsplasser eller hos forhandleren når du kjøper et nytt produkt.

Black & Decker tar i mot brukte Black & Decker-produkter for resirkulering. Du kan levere produktet til et autorisert serviceverksted.

For informasjon om nærmeste autoriserte serviceverksted, kontakt ditt lokale Black & Decker-kontor på den adressen som er angitt i bruksanvisningen. Det finnes også en liste over autoriserte Black & Decker-serviceverksteder og opplysninger om ettersalgsservice og kontakter på Internett:

www.2helpU.com.

Batteri (figur K)



Hvis du vil fjerne produktet selv, må batteriene tas ut som beskrevet nedenfor, og fjernes i henhold til lokale forskrifter.

- ◆ - Løft ut hele montasjen av motor, vifte og batteri.
- ◆ Ta ut batterimontasjen fra hovedmontasjen.
- ◆ Ha batteriet i passende emballasje for å sikre at ikke terminalene kan kortsluttes.
- ◆ Ta batteriet til et autorisert serviceverksted eller til nærmeste spesialavfallsstasjon.

Når batteriet først er tatt ut, kan det ikke settes inn igjen.

- ◆ Du bør lade ut batteriet ved å la apparatet gå til motoren stopper.
- ◆ Trykk på utløserknappen (2), og ta av støvoppsamleren (1).
- ◆ Ta ut filtrene (10 og 11) ved å vri dem med klokken (figur H).
- ◆ Ta ut de syv skruene som holder apparatet sammen.
- ◆ Trekk dekselet halvveis bort fra sokkeldelen.
- ◆ For katalognummer DV96VXZ og DV12VXZ,
 - presser du det lille dekselet fra glidestykket for filterrengjøring og tar ut skruen som fester glidestykket.

Tekniske data

	DV9605TN H2	DV1205TN H2
Spenning	V DC 9,6	12,0
Batteri	Type NiCD/NiMH	NiCD/NiMH
Vekt	kg 1,3	1,4
Hode		
Vekt	kg 1,6	1,7

Lader	*A135040I	CHA002014*	CHA00302*	*A140020D
Modell	DV12	DV12	DV12	DV96
Inngangsspenning	V AC 230	100-240	100-240	230
Utgangsspenning	13,5 V AC	7,2-24 V DC	7,2-24 V DC	14 V AC
Utgangsstrøm	mA 400	85	130	200
Omtrentlig ladetid	t 24	24	24	24
Vekt	kg 0,3	0,3	0,3	0,3

Lydtryknivå i henhold til EN 60704-1: <70 dB(A)

Garanti

Black & Decker er trygg på kvaliteten til sine produkter og tilbyr en enestående garanti. Denne garantierklæringen kommer i tillegg til dine lovbestemte rettigheter, og er ikke i konflikt med disse. Garantien er gyldig i EU- og EFTA-medlemsstatene.

Hvis et Black & Decker-produkt går i stykker på grunn av material- og/eller fabrikkasjonsfeil eller har mangler i forhold til spesifikasjonene, innen 24 måneder fra kjøpet, påtar Black & Decker seg å skifte ut defekte deler, reparere produkter som har vært utsatt for alminnelig slitasje, eller bytte ut slike produkter med minst mulig vanskelighet for kunden, med mindre:

- ◆ produktet har vært brukt i yrkes-/næringsvirksomhet eller til utleie.
- ◆ produktet har vært utsatt for feilaktig bruk eller mislighold.
- ◆ produktet har blitt skadet av fremmede gjenstander eller stoffer eller ved et uhell.
- ◆ reparasjoner er forsøkt utført av andre enn autoriserte serviceverksteder eller Black & Deckers serviceteknikere.

For å ta garantien i bruk skal produktet og kjøpekvittering leveres til forhandleren eller til et autorisert serviceverksted. For informasjon om nærmeste autoriserte serviceverksted, kontakt ditt lokale Black & Decker-kontor på den adressen som er angitt i bruksanvisningen. En oversikt over autoriserte serviceverksteder og opplysninger om ettersalgsservice og kontakter er også tilgjengelig på Internett:

www.2helpU.com

Besøk vårt webområde

www.blackanddecker.no for å registrere ditt nye Black & Decker-produkt og for å holde deg oppdatert om nye produkter og spesialtilbud. Du finner mer informasjon om Black & Decker og produktutvalget vårt på **www.blackanddecker.no**.

Anvendelsesområde

Din Black & Decker Dustbuster® håndholdte støvsuger er udviklet til let tørstøvsugning. Apparatet er kun beregnet til brug i husholdninger.

Design- og patentoplysninger

EU-designregistreringsnumre:

- ◆ 607643-0001
- ◆ 607668-0001
- ◆ 607650-0001
- ◆ 897764-0001

Sikkerhedsvejledninger

Advarsel! Ved brug af batteridrevne apparater er det vigtigt, at grundlæggende sikkerhedsforholdsregler, herunder bl.a. nedenstående, altid følges for at mindske risikoen for brand, batterilækage, personskade og tingskade.

- ◆ Læs hele denne vejledning omhyggeligt, før du bruger apparatet.
- ◆ Apparatets påtænkte anvendelse fremgår af vejledningen. Brugen af ekstraudstyr eller tilbehør eller udførelse af opgaver med apparatet ud over de i brugervejledningen anbefalede kan medføre risiko for personskade.
- ◆ Opbevar denne vejledning til fremtidig brug.

Brug af apparatet

- ◆ Brug ikke apparatet til at opsamle væske eller brændbare materialer.
- ◆ Apparatet må ikke bruges i nærheden af vand.
- ◆ Apparatet må ikke nedsænkes i vand.
- ◆ Træk aldrig i laderens ledning for at fjerne laderen fra stikkontakten. Beskyt laderens ledning imod varmepåvirkninger, olie og skarpe kanter.
- ◆ Dette apparat er ikke beregnet til at blive brugt af personer (herunder børn) med nedsatte fysiske, sensoriske eller mentale evner eller manglende erfaring og viden, med mindre det sker under overvågning,

eller der gives instruktion i brugen af apparatet af en person, der er ansvarlig for deres sikkerhed. Børn skal holdes under opsyn, så det sikres, at de ikke leger med apparatet.

Efter brug

- ◆ Træk laderen ud af stikkontakten, før laderen eller laderens basisenhed rengøres.
- ◆ Når apparatet ikke er i brug, skal det opbevares på et tørt sted.
- ◆ Børn må ikke have adgang til opbevarede apparater.

Eftersyn og reparationer

- ◆ Før brug skal apparatet kontrolleres for beskadigede eller defekte dele. Se efter knækkede dele, skader på kontakter og eventuelle andre tilstande, der kan påvirke apparatets drift.
- ◆ Brug ikke apparatet, hvis dele af det er beskadigede eller defekte.
- ◆ Sørg for at få beskadigede eller defekte dele repareret eller udskiftet på et autoriseret værksted.
- ◆ Kontrollér regelmæssigt laderens ledning for skader. Udskift laderen, hvis ledningen er beskadiget eller defekt.
- ◆ Forsøg aldrig at fjerne eller udskifte dele ud over dem, der er beskrevet i denne vejledning.

Andres sikkerhed

- ◆ Dette apparat må ikke bruges af personer (herunder børn) med nedsatte fysiske, sensoriske eller mentale evner eller manglende erfaring og viden, med mindre det sker under overvågning, eller de vejledes i brugen af apparatet af en person, der er ansvarlig for deres sikkerhed.
- ◆ Børn skal holdes under opsyn, så det sikres, at de ikke leger med værktøjet.

Yderligere sikkerhedsvejledninger - batterier og opladere

Batterier

- ◆ Forsøg aldrig at åbne uanset årsag.
- ◆ Batteriet må ikke udsættes for fugt.
- ◆ Batteriet må ikke udsættes for varme.
- ◆ Opbevar ikke batterier på steder, hvor temperaturen kan overstige 40°C.
- ◆ Oplad kun ved omgivelsestemperaturer mellem 10°C og 40°C.
- ◆ Brug kun den oplader, der fulgte med apparatet/værktøjet, til opladning. Brug af den forkerte oplader kan medføre elektrisk stød eller overophedning af batteriet.
- ◆ Følg vejledningen i afsnittet "Miljøbeskyttelse" ved bortskaffelse af batterier.
- ◆ Undgå at beskadige/deformere batteripakken ved at punktere den eller slå på den, da dette kan forårsage risiko for tilskadekomst eller brand.
- ◆ Beskadigede batterier må ikke oplades.
- ◆ Under ekstreme forhold kan der forekomme batterilækage. Hvis du bemærker væske på batterierne, skal du omhyggeligt tørre den af med en klud. Undgå kontakt med huden.
- ◆ I tilfælde af kontakt med hud eller øjne, skal du følge nedenstående anvisninger.

Advarsel! Batterivæsken kan forårsage personskade eller materielle skader. I tilfælde af kontakt med huden skylles straks med vand. Søg læge, hvis der opstår rødme, smerte eller irritation. Skyl straks med rent vand, og søg læge i tilfælde af kontakt med øjnene.

Ladere

Laderen er udviklet til en specifik spænding. Kontrollér altid, at netspændingen svarer til spændingen på typeskiltet.

Advarsel! Forsøg aldrig at erstatte laderenheden med et almindeligt netstik.

- ◆ Brug kun din Black & Decker-lader til at oplade batteriet i det apparat/værktøj, som den blev leveret sammen med. Andre batterier kan eksplodere og forårsage personskade og materiel skade.
- ◆ Forsøg aldrig at oplade ikke-genopladelige batterier.
- ◆ Hvis netledningen beskadiges, skal den udskiftes af producenten eller et autoriseret Black & Decker-værksted, så farlige situationer undgås.
- ◆ Laderen må ikke udsættes for fugt.
- ◆ Laderen må ikke åbnes.
- ◆ Undersøg ikke laderen.
- ◆ Apparatet/værktøjet/batteriet skal anbringes et sted med god udluftning, når det oplades.

Elektricitet og sikkerhed

Laderen er udviklet til en specifik spænding. Kontrollér altid, at netspændingen svarer til spændingen på typeskiltet. Forsøg aldrig at erstatte laderenheden med et almindeligt netstik.

Symboler på laderen



Læs hele vejledningen omhyggeligt.



Laderen er dobbelt isoleret. Derfor er jordledning ikke nødvendig.



Fejlsikker skilletransformer. Netforsyningen er elektrisk adskilt fra transformerudgangen.



Laderen slår automatisk fra, hvis omgivelsestemperaturen bliver for høj. Som følge deraf holder laderen op med at fungere. Laderens basisenhed skal afbrydes fra netforsyningen og indleveres til reparation på et autoriseret værksted.



Laderens basisenhed er kun beregnet til indendørs brug

Funktioner

1. Mundstykke
2. Udløserknap
3. Tænd/sluk-kontakt
4. Ladeindikator
5. Knap til rengøring af filter
6. Laderens basisenhed
7. Eldrevet børstehoved

Fig. A

8. Børsteforsats
9. Sprækkeforsats

Identifikation af produktet

Modellens design kan bestemmes vha. katalognummerets suffiks. Følgende katalognumre er beskrevet i denne vejledning:

- ◆ DV96VXZ eller DV12VXZ.

Suffikset V svarer til følgende modeller:

- ◆ 05: Alle modeller med medfølgende sprækkeforsats og børsteforsats.

Suffikset X repræsenteret af bogstavet T bruges til modeller med turbobørste.

Suffikset Z repræsenteret af bogstavet N bruges til modeller med NiMH-batteri.

Installation

Vægmontering af basisenheden

Basisenheden kan placeres på en arbejdsflade eller monteres på væggen, hvilket givet et praktisk opbevarings- og opladningssted til apparatet.

Før vægmontering skal det sikres, at fastgøringsmetoden er egnet til væggens type og tilstrækkelig til at understøtte apparatets vægt.

Bemærk: Bemærk, at enheden ikke kan sættes i den vægmonterede basisenhed, når det eldrevne børstehoved er monteret.

Montering

Montering af det eldrevne børstehoved

Børstehovedet (7) bruges til støvsugning på luvtæpper. Børstehovedet er især nyttigt til at fjerne hår, tråde osv.

- ◆ Sæt børstehovedet (7) i forenden af apparatet. Kontroller, at børstehovedet er sat helt ind.

Montering af tilbehør (fig. A og B)

Disse modeller leveres med noget af eller alt det følgende tilbehør:

- ◆ En sprækkeforsats (9) til arbejde under trange pladsforhold.
- ◆ En børsteforsats (8) til møbler og trappetrin.

Monter tilbehøret på følgende måde:

- ◆ Tag tilbehøret ud af maskinens opbevaringsrum (fig. J).
- ◆ Sæt det ønskede tilbehør i forenden af apparatet.

Restrisici

Der kan opstå yderligere restrisici under brugen af værktøjet, som ikke kan medtages i vedlagte sikkerhedsadvarsler. Disse risici kan opstå pga. forkert anvendelse, langvarig brug etc.

Selv ved overholdelse af relevante sikkerhedsforskrifter og anvendelse af sikkerhedsudstyr kan visse restrisici ikke undgås. Disse omfatter:

- ◆ Tilskadekomst forårsaget af berøring af roterende/bevægelige dele.
- ◆ Tilskadekomst forårsaget af udskiftning af dele, blade eller tilbehør.
- ◆ Tilskadekomst forårsaget af langvarig brug af et værktøj. Husk at holde pause jævnligt ved brug af et værktøj i længere tid.
- ◆ Høreskader.
- ◆ Sundhedsrisici forårsaget af indånding af støv, der genereres ved brug af værktøjet (eksempel: Arbejde med træ, især, eg, bøg og MDF).

Anvendelse

- ◆ Forud for første ibrugtagning skal batteriet oplades i mindst 24 timer.
- ◆ Sæt apparatet i basisenheden, når det ikke er i brug.

Opladning af batteriet (fig. C)

Inden batteriet oplades:

- ◆ Kontroller, at apparatet er slukket. Batteriet oplades ikke, når tænd/sluk-kontakten (3) er i tændpositionen.
- ◆ Sæt apparatet i basisenheden (6) som vist.
- ◆ Tilslut laderen. Tænd på stikkontakten.

Ladeindikatoren (4) begynder at lyse.

- ◆ Lad apparatet lade i mindst 24 timer.

Under opladningen kan laderen blive varm. Dette er helt normalt og er ikke ensbetydende med et teknisk problem. Apparatet kan være tilsluttet til laderen i længere perioder. Ladeindikatoren (4) lyser, så længe apparatet er tilsluttet til laderen, der er sat i stikkontakten.

Advarsel! Batteriet må ikke oplades i omgivelsestemperaturer under 10°C eller over 40°C.

Start og stop (fig. D)

- ◆ Tænd apparatet ved at skubbe tænd/sluk-kontakten (3) fremad.
- ◆ Sluk apparatet ved at skubbe tænd/sluk-kontakten (3) tilbage.

Optimering af sugeeffekten (fig. E)

For at sikre optimal sugeeffekt skal filtrene rengøres regelmæssigt under brug.

- ◆ Skub knappen til rengøring af filter (5) op og ned et par gange for at ryste støv, der blokerer filtrene, ud (10 og 11).

Rengøring og vedligeholdelse

Advarsel! Rengør filtrene regelmæssigt (10 og 11).

Rengøring af børstehovedet

- ◆ Fjern eventuelle hår eller fremmedlegemer, der måtte være viklet omkring eller fastklemt i nærheden af børstecylinderen (2), så den kan rotere frit. Brug om nødvendigt en saks.

Rengøring af mundstykke og filtre (fig. F - I)

Filtrene er genanvendelige og skal rengøres regelmæssigt.

- ◆ Tryk på udløserknappen (2), og tag mundstykket (1) af.
- ◆ Tøm mundstykket (1) (fig. G).
- ◆ Fjern filtrene (10 og 11) ved at dreje dem med uret (fig. H).
- ◆ Adskil filtrene (10 og 11)
- ◆ Børst eventuelt løstsiddende støv af filtrene (10 og 11).
- ◆ Vask filtrene i varmt sæbevand (fig. I).

Advarsel! Apparatet må ikke nedsænkes i vand.

- ◆ Sørg for, at mundstykket (1) og filtrene (10 og 11) er tørre.
- ◆ Sæt filtrene (10 og 11) i apparatet igen ved at dreje dem mod uret, indtil de låses på plads.
- ◆ Sæt mundstykket (1) på apparatet. Sørg for, at mundstykket klikker på plads.

Advarsel! Apparatet må aldrig bruges uden filtrene. Optimal støvsugning kan kun opnås med rene filtre.

Udskiftning af filtrene

Filtrene skal udskiftes hver 6. til 9. måned, og i øvrigt hvis de bliver slidte eller beskadigede. Udskiftningsfiltre fås hos Black & Decker-forhandleren (kat. nr. VF70):

- ◆ Tag de gamle filtre ud af apparatet som beskrevet ovenfor.
- ◆ Sæt de nye filtre i apparatet som beskrevet ovenfor.

Opbevaring af tilbehøret (fig. J)

- ◆ Tryk tilbehøret ind i de tilhørende holdere, så det låses fast.

Miljø



Separat bortskaffelse. Dette produkt må ikke bortskaffes sammen med almindeligt husholdningsaffald.

Når dit Black & Decker-produkt en dag er udtjent, eller du ikke længere har brug for det, må du ikke smide det ud sammen med det almindelige affald. Produktet skal bortskaffes separat.



Ved separat bortskaffelse af brugte produkter og emballage bliver der mulighed for at genanvende forskellige materialer. Genanvendelse af materialer medvirker til at forebygge miljøforurening og mindsker behovet for råstoffer.

Lokal lovgivning kan kræve separat indsamling af elektriske husholdningsapparater på kommunale affaldsdepoter eller hos detailhandleren ved køb af et nyt produkt.

Black & Decker sørger for at indsamle og genanvende Black & Decker-produkter, når disse ikke længere kan bruges. Hvis du vil benytte dig af denne service, skal du returnere produktet til et autoriseret værksted, der indsamler produkterne for os.

Kontakt det lokale Black & Decker-kontor på den adresse, der er opgivet i denne vejledning, for at få oplysninger om nærmeste autoriserede værksted. En liste over alle autoriserede Black & Decker-serviceværksteder samt servicevilkår og kontaktpersoner er tilgængelig på internettet på adressen: www.2helpU.com.

Batteri (fig. K)



Hvis du selv vil bortskaffe produktet, skal batteriet fjernes som beskrevet nedenfor og bortskaffes i overensstemmelse med gældende lovgivning.

- ◆ Afлад om muligt batteriet ved at betjene apparatet, indtil motoren stopper.
- ◆ Tryk på udløserknappen (2), og tag mundstykket (1) af.
- ◆ Fjern filtrene (10 og 11) ved at dreje dem med uret (fig. H).
- ◆ Fjern de syv skruer, der holder apparatets kabinet sammen.
- ◆ Træk dækselhalvdelen af placeringshalvdelen.
- ◆ Hvis det drejer sig om katalognr. DV96VXZ og DV12VXZ,
 - skal du tvinge det lille dæksel af skyderen til rengøring af filtrene og fjerne skruen, der holder skyderen fast.
 - Løft hele motor-/ventilator-/batteridelen ud.
- ◆ Fjern batteridelen fra hoveddelen.
- ◆ Anbring batteriet i en egnet emballage, for at sikre at terminalerne ikke kortsluttes.
- ◆ Aflever batteriet på et serviceværksted eller på et lokalt opsamlingssted.

Når batteriet er taget ud af apparatet, kan det ikke sættes i igen.

Tekniske data

	DV9605TN H2	DV1205TN H2
Spænding	Vdc 9,6	12,0
Batteri	Type NiCD/NiMH	NiCD/NiMH
Vægt	kg 1,3	1,4
Hoved		
Vægt	kg 1,6	1,7

Lader	*A135040I	CHA002014*	CHA00302*	*A140020D
Model	DV12	DV12	DV12	DV96
Indgangsspænding	Vac 230	100-240	100-240	230
Udgangsspænding	13,5 Vac	7,2-24 Vdc	7,2-24 Vdc	14 Vac
Udgangsstrømstyrke	mA 400	85	130	200
Ladetid ca.	t 24	24	24	24
Vægt	kg 0,3	0,3	0,3	0,3

Lydtrykniveau i henhold til EN 60704-1: <70 dB(A)

Garanti

Black & Decker garanterer, at produktet er fri for materielle skader og/eller fabrikationsfejl ved levering til kunden.

Garantien er et tillæg til forbrugers lovsikrede rettigheder og påvirker ikke disse. Garantien gælder inden for medlemsstaterne af Den Europæiske Union og i Det Europæiske Frihandelsområde.

Hvis et Black & Decker-produkt går i stykker på grund af materiel skade og/eller fabrikationsfejl eller på anden måde ikke fungerer i overensstemmelse med specifikationen inden for 24 måneder fra købsdatoen, påtager Black & Decker sig at reparere eller ombytte produktet med mindst mulig ulempe for kunden.

Garantien gælder ikke for fejl og mangler, der er sket i forbindelse med:

- ◆ Erhvervs mæssig brug af produktet, professionel brug eller udlejning.
- ◆ Produktet har været anvendt eller behandlet forkert.
- ◆ Produktet har taget skade pga. fremmedlegemer, substanser eller uheld.
- ◆ Garantien gælder ikke, hvis reparationer er udført af andre end et autoriseret Black & Decker-værksted.

For at udnytte garantien skal produktet og købskvitteringen indleveres til forhandleren eller til et autoriseret værksted. Kontakt det lokale Black & Decker-kontor på den adresse, der er opgivet i denne vejledning, for at få oplysninger om nærmeste autoriserede værksted. En liste over alle autoriserede Black & Decker-serviceværksteder samt servicevilkår er tilgængelig på internettet på adressen:

www.2helpU.com

Gå venligst ind på vores website **www.blackanddecker.dk** for at registrere dit nye produkt og for at blive holdt ajour om nye produkter og specialtilbud. Der findes yderligere oplysninger om mærket Black & Decker og vores produktsortiment på adressen **www.blackanddecker.dk**.

Käyttötarkoitus

Black & Decker Dustbuster® -rikkaimuri on tarkoitettu kevyeen kuivaimurointiin. Laitte on tarkoitettu ainoastaan kotitalouskäyttöön.

Malli- ja patenttitiedot

Mallin rekisteröintinumero (EU):

- ◆ 607643-0001
- ◆ 607668-0001
- ◆ 607650-0001
- ◆ 897764-0001

Turvallisuusohjeet

Varoitus! Käytettäessä paristokäyttöisiä laitteita on aina noudatettava perusvarotoimenpiteitä palovaaran, vuotavien paristojen, tapaturmien ja aineellisten vaurioiden välttämiseksi.

- ◆ Lue nämä ohjeet huolellisesti ennen laitteen käyttöä.
- ◆ Käyttötarkoitus kuvataan ohjeissa. Muiden kuin ohjeissa suositeltujen lisävarusteiden tai -osien käyttö sekä laitteen käyttö muuhun kuin oppaassa suositeltuun tarkoitukseen voi aiheuttaa henkilövahingon vaaran.
- ◆ Säilytä ohjeet tulevaa tarvetta varten.

Laitteen käyttö

- ◆ Älä käytä laitetta nesteiden tai syttyvien materiaalien keräämiseen.
- ◆ Älä käytä laitetta veden lähellä.
- ◆ Älä upota laitetta veteen.
- ◆ Älä koskaan irrota laturia pistorasiasta vetämällä virtajohdosta. Pidä laturin virtajohto etäällä lämmönlähteistä, öljystä ja terävistä reunoista.
- ◆ Tätä laitetta ei ole tarkoitettu sellaisten henkilöiden käyttöön, joilla on fyysisiä tai älyllisiä rajoitteita tai aistirajoitteita, eikä laitteen toimintaan perehtymättömien henkilöiden käyttöön (lapset mukaan luettuina), paitsi valvonnan alaisina tai jos he ovat saaneet laitteen

käyttöön liittyvää opastusta heidän turvallisuudestaan vastaavalta henkilöltä. Lapsia on valvottava ja estettävä leikkimästä laitteella.

Käytön jälkeen

- ◆ Irrota laturi pistorasiasta ennen laturin puhdistamista.
- ◆ Kun laitetta ei käytetä, se on säilytettävä kuivassa paikassa.
- ◆ Pidä laite lasten ulottumattomissa.

Tarkastus ja korjaus

- ◆ Tarkista ennen laitteen käyttöä, ettei laitteessa ole vahingoittuneita tai viallisia osia. Tarkista osien ja kytkimien kunto sekä muut seikat, jotka voivat vaikuttaa laitteen toimintaan.
- ◆ Älä käytä laitetta, jos jokin osa on vahingoittunut tai viallinen.
- ◆ Korjauta tai vaihdata vaurioituneet tai vialliset osat valtuutetussa huoltoliikkeessä.
- ◆ Tarkista säännöllisesti, ettei laturin virtajohto ole vahingoittunut. Vaihda laturi, jos virtajohto on vahingoittunut tai viallinen.
- ◆ Älä koskaan yritä korjata tai vaihtaa muita kuin ohjeissa erikseen määritellyjä osia.

Muiden turvallisuus

- ◆ Tätä laitetta ei ole tarkoitettu sellaisten henkilöiden käyttöön, joilla on fyysisiä tai älyllisiä rajoitteita tai aistirajoitteita, eikä laitteen toimintaan perehtymättömien henkilöiden käyttöön (lapset mukaan luettuina), paitsi valvonnan alaisina tai jos he ovat saaneet laitteen käyttöön liittyvää opastusta heidän turvallisuudestaan vastaavalta henkilöltä.
- ◆ Lapsia on valvottava ja heitä on estettävä leikkimästä laitteella.

Akkua ja laturia koskevat turvaohjeet

Akku

- ◆ Älä koskaan yritä avata akkua.
- ◆ Älä anna akun kastua.
- ◆ Älä altista akkua kuumuudelle.

- ◆ Älä säilytä akkua tiloissa, joissa lämpötila voi nousta yli 40°C:n.
- ◆ Lataa akku paikassa, jonka lämpötila on vähintään 10°C ja enintään 40°C.
- ◆ Käytä akun lataamiseen vain laitteen mukana toimitettua laturia. Väärän tyyppinen laturi voi aiheuttaa sähköiskun tai akun ylikuumentumisen.
- ◆ Noudata akkujen hävittämisessä kohdassa Ympäristönsuojelu esitettyjä ohjeita.
- ◆ Suojaa akkua vahingoittumiselta niin, ettei sen kotelo rikkoudu eikä siihen kohdistu iskuja, sillä muutoin voi syntyä henkilövahinkojen ja tulipalon vaara.
- ◆ Älä lataa viallisia akkuja.
- ◆ Vaativissa oloissa voi ilmetä akkuvuotoja. Jos havaitset akkujen pinnalla nestettä, pyyhi se huolellisesti pois. Vältä ihokosketusta.
- ◆ Jos nestettä joutuu silmiin tai iholle, noudata alla olevia ohjeita.

Varoitus! Akkuneste voi aiheuttaa aineellisia vahinkoja tai henkilövahinkoja. Jos nestettä joutuu iholle, se on välittömästi huuhdeltava pois vedellä. Jos ihoa kirvelee tai se punottaa tai on muuten ärtynyt, kysy lisäohjeita lääkäriltä. Jos nestettä joutuu silmiin, huuhto välittömästi puhtaalla vedellä ja mene lääkäriin.

Laturit

Laturi on tarkoitettu tietylle jännitteelle. Tarkista aina, että verkkojännite vastaa arvokilvessä ilmoitettua jännitettä.

Varoitus! Älä yritä korvata laturyksikköä tavallisella verkkopistokkeella.

- ◆ Käytä Black & Deckerin laturia vain laitteen/työkalun mukana toimitetun akun lataamiseen. Muut akut voivat räjähtää ja aiheuttaa henkilövahinkoja tai aineellisia vahinkoja.
- ◆ Älä koskaan yritä ladata akkuja, joita ei ole tarkoitettu ladattaviksi.
- ◆ Jos virtajohto vahingoittuu, sen vaihtaminen tulee turvallisuussyistä

jättää valmistajan tai valtuutetun Black & Decker -huollon tehtäväksi.

- ◆ Älä altista laturia vedelle.
- ◆ Älä avaa laturia.
- ◆ Älä työnnä mitään laturin sisään.
- ◆ Lataa laite/työkalu/akku paikassa, jossa on kunnollinen ilmanvaihto.

Sähköturvallisuus

Laturi on tarkoitettu tietylle jännitteelle. Tarkista aina, että verkkojännite vastaa arvokilvessä ilmoitettua jännitettä. Älä yritä korvata laturyksikköä tavallisella verkkopistokkeella.

Laturin symbolit



Lue tämä käyttöohje huolellisesti.



Laturi on kaksoeristetty, joten erillistä maadoitusta ei tarvita.



F

Toimintavarma eristävä muuntaja. Muuntajalähtö on eristetty sähköisesti sähköverkosta.



130°C

Laturi kytkeytyy automaattisesti pois päältä, jos ympäröivä lämpötila nousee liian korkeaksi. Tällöin laturia ei voi enää käyttää. Irrota laturi sähköverkosta ja toimita se valtuutettuun huoltoliikkeeseen korjattavaksi.



Laturi on tarkoitettu ainoastaan sisäkäyttöön.

Yleiskuvaus

1. Pölynkerääjä
2. Vapautuspainike
3. Virtakytkin
4. Lataustilan ilmaisin
5. Suodattimen puhdistusvipu
6. Laturi
7. Moottoriharjapää

Kuva A

8. Harjasuulake
9. Rakosuulake

Laitteen tunnistetiedot

Luettelonumeron loppuosasta käy ilmi mallin tyyppitunnus. Tässä käyttöohjeessa käsitellään tuotteita, joiden luettelonumero on seuraava:

- ◆ DV96VXZ tai DV12VXZ.

Koodin loppuosan V viittaa seuraaviin malleihin:

- ◆ 05: Kaikki laitteet, joiden mukana toimitetaan rako- ja harjasuulake.

Koodin loppuosan X:n tilalla oleva T viittaa malleihin, joissa on turboharja.

Koodin loppuosan Z:n tilalla oleva N viittaa malleihin, joissa on NiMH-akku.

Asennus**Lataustelineen kiinnittäminen seinään**

Laturi voidaan asettaa työtasolle tai kiinnittää seinään, ja se on kätevä laitteen säilytys- ja latauspaikka.

Varmista seinäkiinnityksessä, että kiinnitystapa on seinätyyppiin ja laitteen painoon nähden sopiva.

Huomautus: Huomaa, että laite ei sovi seinään kiinnitettyyn laturiin, kun moottoripää on liitettyinä.

Kokoaminen**Moottoroidun harjapään asentaminen**

Harjapään (7) avulla voidaan imuroida karvalankamattoja. Harjapää on erityisen hyödyllinen imuroitaessa esimerkiksi karvoja tai lankoja.

- ◆ Kiinnitä harjapää (7) laitteen nokkaan. Varmista, että harjapää on työnnetty kokonaan sisään.

Lisälaitteiden kiinnittäminen (kuvat A ja B)

Näihin malleihin kuuluu seuraavia lisävarusteita (osa näistä tai kaikki):

- ◆ Rakosuulake (9), tarkoitettu ahtaiden tilojen imurointiin.
- ◆ Harjasuulake (8) sopii huonekalujen ja portaiden imurointiin.

Kiinnitä lisävaruste seuraavasti:

- ◆ Irrota lisälaite säilytyspaikastaan laitteesta (kuva J).
- ◆ Kiinnitä haluamasi lisävaruste laitteen nokkaan.

Jäännösriskit

Jäännösriskit ovat mahdollisia, jos käytät työkalua muulla kuin turvavaroituksissa mainitulla tavalla. Nämä riskit voivat liittyä muun muassa virheelliseen tai pitkäaikaiseen käyttöön.

Tiettyjä jäännösriskejä ei voi välttää, vaikka noudatat kaikkia turvamääräyksiä ja käytät turvalaitteita. Näihin kuuluvat muun muassa

- ◆ pyörivien tai liikkuvien osien koskettamisen aiheuttamat vahingot
- ◆ osia, teriä tai lisävarusteita vaihdettaessa aiheutuneet vahingot
- ◆ työkalun pitkäaikaisen käytön aiheuttamat vahingot Kun käytät työkalua pitkään, varmista, että pidät säännöllisesti taukoja.
- ◆ kuulovauriot
- ◆ työkalua käytettäessä (esimerkiksi puuta, erityisesti tammea, pyökkiä ja MDF-levyjä, käsiteltäessä) syntyneen pölyn sisäänhengityksen aiheuttamat terveystriskit.

Käyttö

- ◆ Ennen ensimmäistä käyttökertaa akkua on ladattava vähintään 24 tuntia.
- ◆ Aseta laite laturiin aina, kun et käytä laitetta.

Akun lataaminen (kuva C)

Ennen kuin lataat akun:

- ◆ Varmista, että laite on kytketty pois päältä. Akku ei lataudu, jos laitteen virta on kytkettynä virtakytkimestä (3).
- ◆ Aseta laite laturiin (6) kuvan osoittamalla tavalla.
- ◆ Kytke laturi pistorasiaan. Kytke virta. Lataustilan ilmaisin (4) syttyy.
- ◆ Anna laitteen latautua vähintään 24 tuntia.

Laite saattaa lämmentä latautuessaan. Tämä on normaalia eikä ole merkki ongelmasta. Laite voidaan jättää kiinni laturiin määräämättömäksi ajaksi. Lataustilan ilmaisin (4) palaa niin kauan kuin laite on pistorasiaan liitetyssä laturissa.

Varoitus! Älä lataa akkua, jos ympäröivä lämpötila on alle +10°C tai yli +40°C.

Käynnistys ja pysäytys (kuva D)

- ◆ Virta kytketään imuriin työntämällä virtakytkintä (3) eteenpäin.
- ◆ Virta katkaistaan työntämällä virtakytkintä (3) taaksepäin.

Imutehon optimoiminen (kuva E)

Jotta imuteho pysyisi mahdollisimman hyvänä, suodattimet on puhdistettava säännöllisesti käytön aikana.

- ◆ Ravista suodattimiin (10 ja 11) kertynyt lika työntämällä muutaman kerran puhdistusvipua (5) ylös ja alas.

Puhdistus ja hoito

Varoitus! Puhdista suodattimet (10 ja 11) säännöllisesti.

Harjapään puhdistaminen

- ◆ Poista hiukset tai muut roskat, jotka ovat kiertyneet tai juuttuneet harjatelan lähelle, jotta se pääsee pyörimään vapaasti. Käytä tarvittaessa saksia.

Pölynkerääjän ja suodattimien puhdistaminen (kuvat F - I)

Suodattimet ovat uudelleen käytettäviä, ja ne on puhdistettava säännöllisesti.

- ◆ Paina vapautuspainiketta (2) ja irrota pölynkerääjä (1).

- ◆ Tyhjennä pölynkerääjä (1) (kuva G).
- ◆ Irrota suodattimet (10 ja 11) kiertämällä niitä myötöpäivään (kuva H).
- ◆ Irrota suodattimet (10 ja 11) toisistaan.
- ◆ Harjaa irtopöly suodattimista (10 ja 11).
- ◆ Pese suodattimet lämpimässä pesuainevedessä (kuva I).

Varoitus! Älä upota laitetta veteen.

- ◆ Varmista, että pölynkerääjä (1) ja suodattimet (10 ja 11) ovat kuivia.
- ◆ Kiinnitä suodattimet (10 ja 11) takaisin laitteeseen kiertämällä niitä vastapäivään, kunnes ne lukittuvat paikalleen.
- ◆ Kiinnitä pölynkerääjä (1) takaisin imuriin. Varmista, että pölynkerääjä napsahtaa paikalleen.

Varoitus! Älä koskaan käytä laitetta ilman suodattimia. Parhaan puhdistustuloksen saa vain, kun suodattimet ovat puhtaat.

Suodattimien vaihtaminen

Suodattimet on hyvä vaihtaa 6–9 kuukauden välein ja aina, kun ne ovat kuluneet tai vahingoittuneet. Uusia suodattimia voi ostaa Black & Decker -tuotteiden jälleenmyyjiltä (tuotenro VF70):

- ◆ Poista vanhat suodattimet yllä kuvatulla tavalla.
- ◆ Aseta uudet suodattimet paikalleen yllä kuvatulla tavalla.

Lisävarusteiden säilyttäminen (kuva J)

- ◆ Paina lisävarustetta pidikettään vasten, kunnes lisävaruste napsahtaa paikalleen.

Ympäristö



Erillinen keräys. Tätä tuotetta ei saa hävittää normaalin kotitalousjätteen mukana.

Kun Black & Decker -laitteesi aikanaan täytyy vaihtaa tai ei kelpaa enää käyttöön, älä hävitä laitetta kotitalousjätteen mukana. Toimita laite kierrätettäväksi.



Käytettyjen tuotteiden ja pakkausmateriaalien erilliskeruun avulla materiaalit voidaan kierrättää ja käyttää uudelleen. Kierrätysmateriaalien käyttö auttaa vähentämään ympäristön saastumista ja uusien raaka-aineiden tarvetta.

Paikallisissa säädöksissä voidaan määrätä, että kodin sähkötuotteiden keruu tapahtuu kaupunkien jätteidenkäsittelyasemilla tai laitteita myyvissä liikkeissä uuden tuotteen oston yhteydessä.

Kun laitteesi on käytetty loppuun, älä heitä sitä tavallisten roskien mukana pois, vaan vie se paikkakuntasi kierrätyskeskukseen tai jätä valtuutettuun Black & Deckerin huoltoliikkeeseen.

Tiedot valtuutetuista huoltoliikkeistä saa ottamalla yhteyttä Black & Decker Oy:hyn sekä Internetistä osoitteesta

www.2helpU.com.

Akku (kuva K)



Jos haluat hävittää laitteen itse, akku on ensin poistettava alla kuvatulla tavalla ja hävitettävä jätehuoltomääräyksiä noudattaen.

- ◆ On suositeltavaa tyhjentää akku käyttämällä imuria, kunnes sen moottori pysähtyy.
- ◆ Paina vapautuspainiketta (2) ja irrota pölynkerääjä (1).

- ◆ Irrota suodattimet (10 ja 11) kiertämällä niitä myötäpäivään (kuva H).
- ◆ Avaa laitteen runkoa koossa pitävät seitsemän ruuvia.
- ◆ Vedä kansi irti pohjaosasta.
- ◆ Imurit, joiden tuotenumero on DV96VXZ tai DV12VXZ:
 - Väännä suodattimien puhdistusvivun pieni kansi auki ja irrota vivun kiinnitysruuvi.
 - Nosta moottorista, puhaltimesta ja akusta koostuva elementti ylös.
- ◆ Irrota akkupaketti tuosta elementistä.
- ◆ Sijoita akku sopivaan pakkaukseen siten, etteivät navat pääse keskenään oikosulkuun.
- ◆ Toimita akku paikalliseen huoltoliikkeeseen tai kierrätyspisteeseen.

Kun akku on irrotettu, sitä ei voi asettaa enää paikalleen.

Tekniset tiedot

	DV9605TN H2	DV1205TN H2
Jännite	V DC 9,6	12,0
Akku	Tyyppi NiCD/NiMH	NiCD/NiMH
Paino	kg 1,3	1,4
Pää		
Paino	kg 1,6	1,7

Laturi	*A135040I	CHA002014*	CHA00302*	*A140020D
Mallissa	DV12	DV12	DV12	DV96
Syöttöjännite	V AC 230	100-240	100-240	230
Lähtöjännite	13,5 V AC	7,2-24 V DC	7,2-24 V DC	14 V AC
Latausvirta	mA 400	85	130	200
Arvioitu latausaika	h 24	24	24	24
Paino	kg 0,3	0,3	0,3	0,3

Äänenpainetaso mitattuna EN 60704-1:n mukaisesti: <70 dB(A)

Takuu

Black & Decker Oy takaa, ettei tuotteessa ollut materiaali- ja/tai valmistusvikaa silloin, kun se toimitettiin ostajalle. Takuu on lisäys kuluttajan laillisiin oikeuksiin eikä vaikuta niihin. Takuu on voimassa Euroopan unionin jäsenmaissa ja Euroopan vapaakauppa-alueella (EFTA).

Mikäli Black & Decker -tuote hajoaa materiaali- ja/tai valmistusvirheen tai teknisten tietojen epätarkkuuden vuoksi 24 kk:n kuluessa ostopäivästä, Black & Decker korjaa laitteen ilman kustannuksia ostajalle tai vaihtaa sen uuteen Black & Decker Oy:n valinnan mukaan. Takuu ei kata vikoja, jotka johtuvat laitteen

- ◆ kaupallisesta tai ammattimaisesta käytöstä tai sen vuokraamisesta
- ◆ ylikuormituksesta, virheellisestä käytöstä tai hoidosta
- ◆ vahingoittamisesta vieraalla esineellä tai aineella tai onnettomuustapauksessa.
- ◆ Takuu ei ole voimassa, mikäli laitetta on korjannut joku muu kuin Black & Deckerin valtuuttama huoltoliike.

Edellytyksenä takuun saamiselle on, että ostaja jättää koneen ja ostokuitin jälleenmyyjälle tai valtuutetulle huoltoliikkeelle viimeistään 2 kuukauden kuluessa vian ilmenemisestä. Tiedot valtuutetuista huoltoliikkeistä saa ottamalla yhteyttä Black & Decker Oy:hyn sekä Internetistä osoitteesta

www.2helpU.com, jossa on myös takuuehdot.

Verkkosivuillamme

www.blackanddecker.fi voit rekisteröidä uuden Black & Decker -tuotteesi ja katsella tietoja uusista tuotteista ja erikoistarjouksista. Saat lisätietoja Black & Deckerin tavaramerkistä ja tuotevalikoimastamme osoitteesta **www.blackanddecker.fi**.

Ενδεδειγμένη χρήση

Το ηλεκτρικό σκουπάκι Black & Decker Dustbuster® Plus έχει σχεδιαστεί για ελαφρύ ηλεκτρικό σκούπισμα στεγνών επιφανειών. Αυτή η συσκευή προορίζεται μόνο για οικιακή χρήση.

Πληροφορίες σχετικά με τη Σχεδίαση και το Δίπλωμα Ευρεσιτεχνίας

Αριθμοί κατάθεσης σχεδίων EC:

- ◆ 607643-0001
- ◆ 607668-0001
- ◆ 607650-0001
- ◆ 897764-0001

Οδηγίες ασφαλείας

Προειδοποίηση! Κατά τη χρήση συσκευών που τροφοδοτούνται με μπαταρίες, θα πρέπει να λαμβάνονται οι βασικές προφυλάξεις ασφαλείας, συμπεριλαμβανομένων των παρακάτω, για τον περιορισμό του κινδύνου πυρκαγιάς, διαρροής των μπαταριών, τραυματισμού προσώπων και υλικών ζημιών.

- ◆ Πριν χρησιμοποιήσετε τη συσκευή διαβάστε προσεκτικά ολόκληρο το εγχειρίδιο.
- ◆ Η ενδεδειγμένη χρήση περιγράφεται σε αυτό το εγχειρίδιο. Τόσο η χρήση εξαρτημάτων ή προσθηκών όσο και η πραγματοποίηση εργασιών με τη συσκευή που δεν συνιστώνται σε αυτό το εγχειρίδιο οδηγούν εγκυμονεί κίνδυνο τραυματισμού.
- ◆ Φυλάξτε αυτό το εγχειρίδιο για μελλοντική αναφορά.

Χρησιμοποίηση της συσκευής

- ◆ Μη χρησιμοποιείτε τη συσκευή για να περισυλλέξετε υγρά ή άλλα υλικά που θα μπορούσαν να πιάσουν φωτιά.
- ◆ Μη χρησιμοποιείτε τη συσκευή κοντά σε νερό.
- ◆ Μη βουτάτε τη συσκευή μέσα σε νερό.

- ◆ Ποτέ μην αποσυνδέετε το φορτιστή από την πρίζα τραβώντας τον από το καλώδιό του. Διατηρείτε το καλώδιο του φορτιστή σε απόσταση από πηγές θερμότητας, λάδια και κοφτερές αιχμές.
- ◆ Αυτό το εργαλείο δεν προορίζεται για χρήση από άτομα (στα οποία περιλαμβάνονται και τα παιδιά) με μειωμένες φυσικές, αντιληπτικές ή διανοητικές ικανότητες, ή άτομα χωρίς εμπειρία και γνώσεις, παρά μόνο εφόσον επιτηρούνται ή τους έχουν δοθεί οδηγίες σχετικά με τη χρήση του εργαλείου από άτομο υπεύθυνο για την ασφάλειά τους. Τα παιδιά πρέπει να επιτηρούνται για να είστε σίγουροι ότι δεν παίζουν με το εργαλείο.

Μετά τη χρήση

- ◆ Πριν καθαρίσετε τον φορτιστή ή την βάση φόρτισης αποσυνδέστε τον από την πρίζα.
- ◆ Όταν δεν χρησιμοποιείται, η συσκευή πρέπει να φυλάσσεται σε στεγνό μέρος.
- ◆ Τα παιδιά δεν πρέπει να έχουν πρόσβαση σε αποθηκευμένες συσκευές.

Επιθεώρηση και επισκευές

- ◆ Πριν από τη χρήση, ελέγξτε τη συσκευή σας για τυχόν κατεστραμμένα ή ελαττωματικά τμήματα. Ελέγξτε αν υπάρχουν σπασμένα εξαρτήματα, ζημιά στους διακόπτες και οποιοσδήποτε άλλες συνθήκες που θα μπορούσαν να επηρεάσουν τη λειτουργία της.
- ◆ Μη χρησιμοποιείτε τη συσκευή, αν κάποιο εξάρτημά της παρουσιάζει ελάττωμα.
- ◆ Φροντίστε να γίνει η επισκευή ή η αντικατάσταση των τυχόν ελαττωματικών εξαρτημάτων από εξουσιοδοτημένο κέντρο επισκευών.

- ◆ Να ελέγχετε τακτικά την κατάσταση του καλωδίου του φορτιστή. Σε περίπτωση που το καλώδιο του φορτιστή παρουσιάζει ζημιά ή ελάττωμα, αντικαταστήστε τον φορτιστή.
- ◆ Ποτέ μην επιχειρείτε να αφαιρέσετε ή να αντικαταστήσετε εξαρτήματα, άλλα από αυτά που προσδιορίζονται σε αυτό το εγχειρίδιο.

Ασφάλεια τρίτων

- ◆ Αυτή η συσκευή δεν προορίζεται για χρήση από άτομα (στα οποία περιλαμβάνονται και τα παιδιά) με μειωμένες φυσικές, αντιληπτικές ή διανοητικές ικανότητες ή άτομα χωρίς εμπειρία και γνώσεις, παρά μόνο εφόσον επιτηρούνται ή τους έχουν δοθεί οδηγίες σχετικά με τη χρήση της συσκευής από άτομο υπεύθυνο για την ασφάλειά τους.
- ◆ Τα παιδιά πρέπει να επιτηρούνται για να διασφαλίζεται ότι δεν παίζουν με τη συσκευή.

Συμπληρωματικές οδηγίες ασφαλείας - μπαταρίες και φορτιστές

Μπαταρίες

- ◆ Μην επιχειρήσετε ποτέ να ανοίξετε τις μπαταρίες για οποιοδήποτε λόγο.
- ◆ Μην εκθέτετε την μπαταρία σε νερό.
- ◆ Μην εκθέτετε την μπαταρία σε θερμότητα.
- ◆ Μη φυλάσσετε τις μπαταρίες σε μέρος όπου η θερμοκρασία μπορεί να υπερβεί τους 40°C.
- ◆ Η φόρτιση πρέπει να γίνεται μόνο σε θερμοκρασίες περιβάλλοντος μεταξύ 10°C και 40°C.
- ◆ Η φόρτιση πρέπει να γίνεται μόνο με το φορτιστή που παρέχεται μαζί με τη συσκευή/εργαλείο. Η χρήση άλλου φορτιστή μπορεί να προκαλέσει ηλεκτροπληξία ή υπερθέρμανση της μπαταρίας.
- ◆ Όταν απορρίπτετε τις μπαταρίες, ακολουθήστε τις οδηγίες που δίνονται στην ενότητα "Προστασία του περιβάλλοντος".

- ◆ Μην καταστρέψετε/παραμορφώνετε την μπαταρία είτε τρυπώντας ή χτυπώντας την, διότι μπορεί να προκληθεί κίνδυνος τραυματισμού ή πυρκαγιάς.
- ◆ Μη φορτίζετε τις κατεστραμμένες μπαταρίες.
- ◆ Κάτω από ακραίες συνθήκες, μπορεί να επέλθει διαρροή υγρών μπαταρίας. Αν παρατηρήσετε υγρό πάνω στις μπαταρίες, σκουπίστε το προσεκτικά με ένα πανί. Αποφύγετε την επαφή με το δέρμα.
- ◆ Στην περίπτωση επαφής με το δέρμα ή τα μάτια, ακολουθήστε τις παρακάτω οδηγίες.

Προειδοποίηση! Το υγρό της μπαταρίας μπορεί να προκαλέσει τραυματισμό ή υλικές ζημιές. Στην περίπτωση επαφής με το δέρμα, ξεπλύνετε αμέσως με άφθονο νερό. Αν παρουσιαστεί κοκκίνισμα του δέρματος, πόνος ή ερεθισμός, ζητήστε ιατρική βοήθεια. Στην περίπτωση επαφής με τα μάτια, ξεπλύνετε αμέσως με άφθονο καθαρό νερό και ζητήστε ιατρική βοήθεια.

Φορτιστές

Ο φορτιστής σας είναι σχεδιασμένος για μια συγκεκριμένη ηλεκτρική τάση. Ελέγχετε πάντα αν η τάση τροφοδοσίας αντιστοιχεί σε αυτήν που αναγράφεται στην πινακίδα χαρακτηριστικών.

Προειδοποίηση! Ποτέ μην επιχειρείτε να αντικαταστήσετε τη μονάδα φορτιστή με έναν κανονικό ρευματολήπτη.

- ◆ Ο φορτιστής Black & Decker πρέπει να χρησιμοποιείται αποκλειστικά και μόνο για τη φόρτιση της μπαταρίας της συσκευής/του εργαλείου που συνοδεύει. Αν χρησιμοποιηθεί για άλλες μπαταρίες, αυτές μπορεί να εκραγούν, προκαλώντας τραυματισμό και ζημιές.
- ◆ Μην επιχειρείτε ποτέ να φορτίσετε μη επαναφορτιζόμενες μπαταρίες.
- ◆ Αν το καλώδιο ρεύματος έχει υποστεί φθορά, η αντικατάστασή του πρέπει να γίνει από τον κατασκευαστή ή από ένα εξουσιοδοτημένο κέντρο της Black &

Decker, ώστε να μην αποτελέσει κίνδυνο.

- ◆ Μην εκθέτετε το φορτιστή σε νερό.
- ◆ Μην ανοίγετε το φορτιστή.
- ◆ Μην επεμβαίνετε στο φορτιστή.
- ◆ Κατά τη φόρτιση, η συσκευή/εργαλείο/μπαταρία πρέπει να βρίσκεται σε καλά αεριζόμενο χώρο

Ασφαλής χρήση του ηλεκτρικού ρεύματος

Ο φορτιστής σας είναι σχεδιασμένος για μια συγκεκριμένη ηλεκτρική τάση. Ελέγχετε πάντα αν η τάση τροφοδοσίας αντιστοιχεί σε αυτήν που αναγράφεται στην πινακίδα χαρακτηριστικών. Ποτέ μην επιχειρείτε να αντικαταστήσετε τη μονάδα φορτιστή με έναν κανονικό ρευματολήπτη.

Σύμβολα επάνω στο φορτιστή



Διαβάστε ολόκληρο το εγχειρίδιο προσεχτικά.



Ο φορτιστής σας φέρει διπλή μόνωση, επομένως δεν απαιτείται σύρμα γείωσης.



F

Μονωτικός μετασχηματιστής εξασφαλισμένης λειτουργίας. Η τροφοδοσία δικτύου είναι ηλεκτρικά διαχωρισμένη από την έξοδο του μετασχηματιστή.



130°C

Ο φορτιστής απενεργοποιείται αυτόματα όταν η θερμοκρασία περιβάλλοντος ανέβει υπερβολικά. Με συνέπεια, ο φορτιστής να αχρηστεύεται. Η βάση φόρτισης θα πρέπει να αποσυνδεθεί από την πρίζα και να μεταφερθεί σε ένα εξουσιοδοτημένο κέντρο.



Η βάση φόρτισης προορίζεται για χρήση σε εσωτερικούς χώρους μόνο.

Χαρακτηριστικά

1. Συλλέκτης σκόνης
2. Πλήκτρο απελευθέρωσης
3. Διακόπτης on/off
4. Ενδεικτική λυχνία φόρτισης
5. Πλήκτρο καθαρισμού φίλτρου
6. Βάση φόρτισης
7. Τροφοδοτούμενη κεφαλή βούρτσας

Εικ. Α

8. Εξάρτημα βούρτσας
9. Εξάρτημα για χαραμάδες

Αναγνώριση του προϊόντος σας

Το σχέδιο του μοντέλου μπορεί να προσδιοριστεί από τους κωδικούς κατάληξης που χρησιμοποιούνται στους αριθμούς καταλόγου. Οι ακόλουθοι αριθμοί καταλόγου περιγράφονται στο παρόν εγχειρίδιο:

- ◆ DV96VXZ ή DV12VXZ.

Ο κωδικός κατάληξης V αντιστοιχεί στα ακόλουθα σχέδια:

- ◆ 05: Όλες οι συσκευές, οι οποίες συνοδεύονται από ένα μικρό εξάρτημα για χαραμάδες και ένα εξάρτημα βούρτσας.

Ο κωδικός κατάληξης X που αντιπροσωπεύεται από το γράμμα T χρησιμοποιείται για μοντέλα με βούρτσα turbo.

Ο κωδικός κατάληξης Z που αντιπροσωπεύεται από το γράμμα N χρησιμοποιείται για μοντέλα με μπαταρία NiMH.

Εγκατάσταση

Τοποθέτηση της βάσης φόρτισης στον τοίχο

Η βάση φόρτισης μπορεί να τοποθετηθεί πάνω σε μια επιφάνεια εργασίας ή να εγκατασταθεί πάνω στον τοίχο για εύκολη φύλαξη και φόρτιση της συσκευής.

Όταν τη στερεώνετε στον τοίχο, να βεβαιώνετε ότι η μέθοδος στερέωσης είναι κατάλληλη για τον τύπο τοίχου και το βάρος της συσκευής.

Σημείωση: Σημειώστε ότι η μονάδα δεν θα χωρά στην επίτοιχη βάση φόρτισης,

με την τροφοδοτούμενη κεφαλή προσαρτημένη πάνω της.

Συναρμολόγηση

Τοποθέτηση τροφοδοτούμενης κεφαλής βούρτσας

Η κεφαλή βούρτσας (7) επιτρέπει το ηλεκτρικό σκούπισμα των χαλιών με παχύ πέλος. Η κεφαλή βούρτσας χρησιμεύει ιδιαίτερα για το μάξιμα τριχών, κλωστών κτλ.

- ◆ Εισάγετε την κεφαλή βούρτσας (7) στο μπροστινό μέρος της συσκευής. Βεβαιωθείτε ότι έχετε εισάγει εντελώς μέσα την κεφαλή βούρτσας.

Τοποθέτηση των εξαρτημάτων (εικ. Α & Β)

Με τα μοντέλα αυτά παρέχονται όλα ή μερικά από τα παρακάτω εξαρτήματα:

- ◆ Ένα εξάρτημα για χαραμάδες (9) για περιορισμένους χώρους.
- ◆ Ένα εξάρτημα βούρτσας (8) για έπιπλα και σκάλες.

Για να τοποθετήσετε ένα εξάρτημα, προχωρήστε όπως ακολουθεί:

- ◆ Αφαιρέστε το εξάρτημα από τη θέση αποθήκευσής του στη συσκευή (εικ. J).
- ◆ Εισάγετε το κατάλληλο εξάρτημα στο μπροστινό μέρος της συσκευής.

Αναπόφευκτοι κίνδυνοι

Μπορεί να προκληθούν επιπρόσθετοι αναπόφευκτοι κίνδυνοι όταν χρησιμοποιείτε το εργαλείο οι οποίοι μπορεί να μη συμπεριλαμβάνονται στις προειδοποιήσεις ασφαλείας που εσωκλείονται. Αυτοί οι κίνδυνοι μπορεί να προκληθούν από κακή χρήση, παρατεταμένη χρήση κτλ.

Ακόμα και με την τήρηση των σχετικών κανονισμών ασφαλείας και τη χρήση μέσων προστασίας, ορισμένοι κίνδυνοι δεν είναι δυνατό να εξαλειφθούν. Αυτοί περιλαμβάνουν:

- ◆ Τραυματισμούς από το άγγιγμα των περιστρεφόμενων/κινούμενων μερών.

- ◆ Τραυματισμούς από αλλαγή οπωσδήποτε εξαρτημάτων, λεπίδων ή αξεσουάρ.
- ◆ Τραυματισμούς από παρατεταμένη χρήση του εργαλείου. Όταν χρησιμοποιείτε οποιοδήποτε εργαλείο για παρατεταμένες χρονικές περιόδους βεβαιωθείτε ότι κάνετε τακτικά διαλείμματα.
- ◆ Προβλήματα ακοής.
- ◆ Κίνδυνοι στην υγεία που προκαλούνται από την εισπνοή σκόνης όταν χρησιμοποιείτε το εργαλείο (παράδειγμα:- όταν επεξεργάζεστε ξύλο, ειδικά δρυς, οξιά και MDF).

Χρήση

- ◆ Πριν από την πρώτη χρήση, η μπαταρία θα πρέπει να έχει φορτιστεί για 24 ώρες τουλάχιστον.
- ◆ Όταν η συσκευή δεν χρησιμοποιείται θα πρέπει να τοποθετείται πάνω στη βάση φόρτισης.

Φόρτιση της μπαταρίας (εικ. C)

Πριν τη φόρτιση της μπαταρίας:

- ◆ Βεβαιωθείτε ότι η συσκευή είναι απενεργοποιημένη. Η μπαταρία δε φορτίζεται όταν ο διακόπτης λειτουργίας (3) είναι στη θέση 'on'.
- ◆ Τοποθετήστε τη συσκευή πάνω στη βάση φόρτισης (6) όπως υποδεικνύεται.
- ◆ Βάλτε τον φορτιστή στην πρίζα. Ενεργοποιήστε από το δίκτυο.

Η ενδεικτική λυχνία φόρτισης (4) θα ανάψει.

- ◆ Αφήστε τη συσκευή να φορτίσει για τουλάχιστον 24 ώρες.

Κατά τη φόρτιση, ο φορτιστής μπορεί να θερμανθεί. Αυτό είναι φυσιολογικό και δεν υποδεικνύει κάποιο πρόβλημα. Η συσκευή μπορεί να μείνει συνδεδεμένη με τον φορτιστή για αόριστο χρονικό διάστημα. Η ενδεικτική λυχνία φόρτισης (4) μένει αναμμένη εφόσον η συσκευή είναι συνδεδεμένη με τον ενσωματωμένο φορτιστή.

Προειδοποίηση! Μη φορτίζετε την μπαταρία σε θερμοκρασίες περιβάλλοντος κάτω από 10°C ή πάνω από 40°C.

Ενεργοποίηση και απενεργοποίηση (εικ. D)

- ♦ Για να ενεργοποιήσετε τη συσκευή, σπρώξτε το διακόπτη λειτουργίας (3) προς τα εμπρός.
- ♦ Για να απενεργοποιήσετε τη συσκευή, σπρώξτε το διακόπτη λειτουργίας (3) προς τα πίσω.

Βελτιστοποίηση της δύναμης απορρόφησης (εικ. E)

Για να κρατήσετε τη βέλτιστη δύναμη αναρρόφησης, καθαρίζετε τα φίλτρα τακτικά κατά τη χρήση.

- ♦ Μετακινήστε μερικές φορές το κουμπί καθαρισμού του φίλτρου (5) προς τα επάνω και κάτω για να απομακρύνετε τη σκόνη που φράζει τα φίλτρα (10 & 11).

Καθαρισμός και συντήρηση

Προειδοποίηση! Καθαρίζετε τακτικά τα φίλτρα (10 & 11).

Καθαρισμός της κεφαλής βούρτσας

- ♦ Αφαιρέστε τυχόν τρίχες ή άλλα σκουπίδια που έχουν περιτυλιχτεί γύρω ή παγιδευτεί κοντά στη ράβδο της βούρτσας, για να εξασφαλιστεί η ελεύθερη περιστροφή της. Χρησιμοποιήστε ψαλίδι αν χρειάζεται.

Καθαρισμός του συλλέκτη σκόνης και των φίλτρων (εικ. F - I)

Τα φίλτρα είναι επαναχρησιμοποιήσιμα και θα πρέπει να καθαρίζονται τακτικά.

- ♦ Πιέστε το κουμπί αποδέσμευσης (2) και αφαιρέστε το συλλέκτη σκόνης (1).
- ♦ Αδειάστε το συλλέκτη σκόνης (1) (εικ. G).
- ♦ Αφαιρέστε τα φίλτρα (10 & 11) περιστρέφοντάς τα δεξιόστροφα (εικ. H).
- ♦ Διαχωρίστε τα φίλτρα (10 & 11)

- ♦ Αφαιρέστε με τη βούρτσα την υπόλοιπη σκόνη από τα φίλτρα (10 & 11).

- ♦ Πλύνετε τα φίλτρα σε ζεστή σαπουνάδα (εικ. I).

Προειδοποίηση! Μην βουτάτε τη συσκευή μέσα σε νερό.

- ♦ Βεβαιωθείτε ότι έχουν στεγνώσει ο συλλέκτης σκόνης (1) και τα φίλτρα (10 & 11).
- ♦ Επανατοποθετήστε τα φίλτρα (10 & 11), περιστρέφοντάς τα δεξιόστροφα μέχρι να ασφαλισουν στη θέση τους.
- ♦ Επανατοποθετήστε στη συσκευή το συλλέκτη σκόνης (1). Βεβαιωθείτε ότι ο συλλέκτης σκόνης ασφαλίσε στη θέση του.

Προειδοποίηση! Μη χρησιμοποιείτε ποτέ τη συσκευή χωρίς τα φίλτρα. Η βέλτιστη περισυλλογή της σκόνης επιτυγχάνεται μόνο με καθαρά φίλτρα.

Αντικατάσταση των φίλτρων

Τα φίλτρα θα πρέπει να αλλάζονται κάθε 6 με 9 μήνες και όταν έχουν φθαρεί ή καταστραφεί. Ανταλλακτικά φίλτρα διατίθενται από τα εμπορικά σημεία πώλησης προϊόντων Black & Decker (Αρ. καταλ. VF70):

- ♦ Αφαιρέστε τα παλιά φίλτρα όπως περιγράφεται παραπάνω.
- ♦ Τοποθετήστε τα καινούρια φίλτρα όπως περιγράφεται παραπάνω.

Αποθήκευση των εξαρτημάτων (εικ. J)

- ♦ Σπρώξτε τα εξαρτήματα μέσα στις αντίστοιχες υποδοχές μέχρι να ασφαλισουν.

Προστασία του περιβάλλοντος



Ξεχωριστή περισυλλογή. Αυτό το προϊόν δεν πρέπει να απορρίπτεται μαζί με τα κοινά οικιακά απορρίμματα.

Εάν κάποια μέρα διαπιστώσετε ότι το προϊόν σας Black & Decker χρειάζεται αντικατάσταση, ή ότι δεν το χρειάζεστε άλλο, μην το απορρίψετε μαζί με τα κοινά οικιακά απορρίμματα αλλά κάντε αυτό το προϊόν διαθέσιμο για ανεξάρτητη αποκομιδή.



Η ανεξάρτητη συλλογή των μεταχειρισμένων προϊόντων και των υλικών συσκευασίας δίνει τη δυνατότητα ανακύκλωσης και επαναχρησιμοποίησης των υλικών. Με την επαναχρησιμοποίηση των ανακυκλωμένων υλικών αποτρέπεται η μόλυνση του περιβάλλοντος και μειώνεται η ζήτηση πρώτων υλών.

Οι κανονισμοί που ισχύουν στην περιοχή σας ενδέχεται να προβλέπουν την επιλεκτική περισυλλογή των ηλεκτρικών συσκευών που προέρχονται από νοικοκυριά σε κρατικές εγκαταστάσεις ή από τον έμπορο όταν αγοράσετε ένα καινούργιο προϊόν.

Η Black & Decker δίνει τη δυνατότητα ανακύκλωσης των προϊόντων της που έχουν συμπληρώσει τη διάρκεια ζωής τους. Για να χρησιμοποιήσετε αυτήν την υπηρεσία, επιστρέψτε το προϊόν σας σε οποιοδήποτε εξουσιοδοτημένο κέντρο επισκευών, όπου θα το παραλάβουν εκ μέρους μας.

Ενημερωθείτε για το πλησιέστερο εξουσιοδοτημένο κέντρο επισκευών της περιοχής σας, επικοινωνώντας με τα γραφεία της Black & Decker στη διεύθυνση που αναγράφεται στο εγχειρίδιο. Επίσης, για να πληροφορηθείτε για τα εξουσιοδοτημένα κέντρα επισκευών της Black & Decker και τους αρμόδιους των υπηρεσιών που παρέχονται μετά την πώληση, μπορείτε να ανατρέξετε στο Διαδίκτυο, στη διεύθυνση: www.2helpU.com.

Μπαταρία (εικ. Κ)



Εάν θέλετε να απορρίψετε μόνοι σας την μπαταρία, η μπαταρία θα πρέπει να αφαιρεθεί όπως περιγράφεται παρακάτω και να απορριφθεί σύμφωνα με τους κανονισμούς που ισχύουν στην περιοχή σας.

- ◆ Να αποφορτίσετε κατά προτίμηση την μπαταρία λειτουργώντας τη συσκευή μέχρι να σταματήσει το μοτέρ.
- ◆ Πιέστε το κουμπί αποδέσμευσης (2) και αφαιρέστε το συλλέκτη σκόνης (1).
- ◆ Αφαιρέστε τα φίλτρα (10 & 11) περιστρέφοντάς τα δεξιόστροφα (εικ. Η).
- ◆ Αφαιρέστε τις επτά βίδες που συγκρατούν το σώμα της συσκευής.
- ◆ Τραβήξτε το κάλυμμα κατά το ήμισυ από τη θέση του.
- ◆ Για τους αριθμούς καταλόγου DV96VXZ & DV12VXZ,
 - αποσπάστε το μικρό κάλυμμα από το συρόμενο κουμπί καθαρισμού του φίλτρου και αφαιρέστε τη βίδα στήριξης του.
 - ανασηκώστε ολόκληρη τη συναρμογή μοτέρ/ανεμιστήρα/ μπαταρίας
- ◆ Αποσυνδέστε τη συναρμογή της μπαταρίας από την κύρια συναρμογή.
- ◆ Τοποθετήστε την μπαταρία σε κατάλληλη συσκευασία, ώστε να είναι αδύνατο το βραχυκύκλωμα των πόλων.
- ◆ Παραδώστε την μπαταρία στον αντιπρόσωπο επισκευών σας ή σε ένα σταθμό ανακύκλωσης της περιοχής σας.

Αφού αφαιρεθεί, η μπαταρία δεν μπορεί να επανατοποθετηθεί.

Τεχνικά χαρακτηριστικά

	DV9605TN H2	DV1205TN H2
Τάση	Vdc 9,6	12,0
Μπατα-ρία	Τύ-πος NiCD/NiMH	NiCD/NiMH
Βάρος	kg 1,3	1,4
Κεφαλή		
Βάρος	kg 1,6	1,7

Φορτιστής	*A135040I	CHA002014*	CHA00302*	*A140020D
Μοντέλα	DV12	DV12	DV12	DV96
Τάση εισόδου	Vac 230	100-240	100-240	230
Τάση εξόδου	13,5 Vac	7,2-24 Vdc	7,2-24 Vdc	14 Vac
Ρεύμα εξόδου	mA 400	85	130	200
Χρόνος φόρτισης κατά προσέγγιση	h 24	24	24	24
Βάρος	kg 0,3	0,3	0,3	0,3

Στάθμη ηχητικής πίεσης, μετρημένης σύμφωνα με το πρότυπο EN 60704-1: <70 dB(A)

Εγγύηση

Η Black & Decker είναι σίγουρη για την ποιότητα των προϊόντων της και παρέχει σημαντική εγγύηση. Η παρούσα γραπτή εγγύηση αποτελεί πρόσθετο δικαίωμά σας και δεν ζημιώνει τα νόμιμα δικαιώματά σας. Η εγγύηση ισχύει εντός της επικράτειας των Κρατών Μελών της Ευρωπαϊκής Ένωσης και της Ευρωπαϊκής Ζώνης Ελευθέρων Συναλλαγών.

Σε περίπτωση που κάποιο προϊόν της Black & Decker παρουσιάσει βλάβη εξαιτίας ελαττωματικών υλικών, ποιότητας εργασίας ή έλλειψης συμφωνίας με τις προδιαγραφές εντός 24 μηνών από την ημερομηνία αγοράς, η Black & Decker εγγυάται την αντικατάσταση των ελαττωματικών τμημάτων, την επισκευή προϊόντων που έχουν υποστεί εύλογη φθορά λόγω χρήσης ή την αντικατάσταση των προϊόντων προκειμένου να εξασφαλίσει την ελάχιστη ενόχληση στους πελάτες της, εκτός εάν:

- Το προϊόν έχει χρησιμοποιηθεί σε εργασιακό, επαγγελματικό περιβάλλον ή αν έχει ενοικιαστεί.
- Έχει γίνει εσφαλμένη χρήση του προϊόντος ή έχει παραμεληθεί.

- Το προϊόν έχει υποστεί βλάβη από άλλα αντικείμενα, από ουσίες ή λόγω ατυχήματος.
- Έχει γίνει προσπάθεια επισκευής από μη εξουσιοδοτημένα κέντρα επισκευών ή από προσωπικό που δεν ανήκει στο προσωπικό της Black & Decker.

Για να ισχύσει η εγγύηση, πρέπει να υποβάλετε απόδειξη αγοράς στον πωλητή ή το εξουσιοδοτημένο κέντρο επισκευών. Ενημερωθείτε για το πλησιέστερο εξουσιοδοτημένο κέντρο επισκευών της περιοχής σας, επικοινωνώντας με τα γραφεία της Black & Decker στη διεύθυνση που αναγράφεται στο εγχειρίδιο. Επίσης, για να πληροφορηθείτε για τα εξουσιοδοτημένα κέντρα επισκευών της Black & Decker και τους αρμόδιους των υπηρεσιών που παρέχονται μετά την πώληση, μπορείτε να ανατρέξετε στο Διαδίκτυο, στη διεύθυνση:

www.2helpU.com

Παρακαλούμε επισκεφθείτε την ιστοσελίδα μας

www.blackanddecker.eu για να καταχωρήσετε το νέο σας προϊόν Black & Decker και για να ενημερώνεστε για τα

νέα προϊόντα και τις ειδικές προσφορές.
Περισσότερες πληροφορίες σχετικά με τη
μάρκα Black & Decker και τη σειρά των
προϊόντων μας θα βρείτε στη διεύθυνση
www.blackanddecker.eu.

Kullanım amacı

Black & Decker Dustbuster® elektrikli süpürge hafif ve kuru temizlik uygulamak üzere tasarlanmıştır. Bu cihaz yalnızca ev temizliğinde kullanmak içindir.

Tasarım ve Patent Bilgileri

AB Kayıt Numaraları:

- ◆ 607643-0001
- ◆ 607668-0001
- ◆ 607650-0001
- ◆ 897764-0001

Güvenlik talimatları

Uyarı! Pille çalışan cihazları kullanırken yangın tehlikesini, pillerin akmasını, yaralanmaları ve maddi zararları azaltmak için aşağıda belirtilen talimatların yanı sıra temel güvenlik önerilerine de her zaman uyulmalıdır.

- ◆ Cihazı kullanmadan önce elinizdeki kullanım kılavuzunu baştan sona dikkatle okuyun.
- ◆ Cihazın kullanım amacı bu kılavuzda açıklanmıştır. Cihazın bu kılavuzda önerilenlerden başka aksesuar ve ek parçalarla kullanılması ya da başka amaçlarla çalıştırılması yaralanmalara yol açabilir.
- ◆ İleride bakmak üzere bu kılavuzu saklayın.

Cihazın kullanılması

- ◆ Cihazı, sıvıları veya herhangi bir yanıcı maddeyi çekmek için kullanmayın.
- ◆ Cihazı su bulunan alanların yakınında kullanmayın.
- ◆ Cihazı suya batırmayın.
- ◆ Şarj cihazını prizden çıkarmak için asla kablosundan tutarak çekmeyin. Şarj cihazı kablosunu ısıdan, yağdan ve nesnelerin keskin kenarlarından uzak tutun.
- ◆ Bu cihaz, güvenliklerinden sorumlu bir kişi tarafından gerekli denetim ve yönlendirme uygulanmadan, (çocuklar dahil) fiziksel, duyuşsal ve

akli kapasitesi kısıtlı veya yeterli deneyim ve bilgiye sahip olmayan kişilerce kullanılmamalıdır. Çocuklar cihazla oynamamalıdır.

Kullanım sonrası

- ◆ Şarj cihazını veya şarj ana ünitesini temizlemeden önce şarj cihazını prizden çekin.
- ◆ Cihaz, kullanılmadığı zaman kuru bir yerde saklanmalıdır.
- ◆ Cihazlar çocukların ulaşamayacağı yerlere kaldırılmalıdır.

İnceleme ve onarımlar

- ◆ Kullanmadan önce cihazı kontrol ederek arızalı ya da eksik parça olup olmadığına bakın. Parçalarda kırılma, düğmelerde hasar ve cihazın çalışmasını etkileyebilecek başka durumlar olup olmadığını kontrol edin.
- ◆ Hasarlı veya arızalı parça varsa, cihazı kullanmayın.
- ◆ Hasarlı veya arızalı parçaların onarım ve değiştirme işlemlerini yetkili serviste yaptırın.
- ◆ Şarj cihazı kablosunun hasar görüp görmediğini düzenli aralıklarla kontrol edin. Kablo hasar görmüşse veya arızalıysa, şarj cihazını değiştirin.
- ◆ Hiçbir parçayı yerinden çıkarmayın ve bu kılavuzda belirtilenlerden başka parçalarla değiştirmeyin.

Emniyet başkalarının

- ◆ Bu alet, deneyim ve bilgisi yetersiz kişiler ile çocuklar dahil, fiziksel, duyuşsal ve zihinsel kapasiteleri azalmış kişiler tarafından; güvenliklerinden sorumlu biri tarafından aletin kullanımı hakkında bilgilendirilmeden ve refakat edilmeden kullanılmamalıdır.
- ◆ Çocukları, cihazla oynamalarını engellemek için yalnız bırakmayın.

Aküler ve şarj cihazları için ek güvenlik talimatları

Aküler

- ◆ Kesinlikle, hiçbir nedenle açmaya çalışmayın.
- ◆ Aküleri suya maruz bırakmayın.
- ◆ Sıcaklığın 40 °C'yi aşabileceği yerlerde saklamayın.
- ◆ Sadece 10°C ila 40°C arasındaki ortam sıcaklıklarında şarj edin.
- ◆ Sadece cihazla birlikte verilen şarj cihazlarını kullanarak şarj edin.
- ◆ Aküleri atarken, Çevrenin korunması başlıklı bölümdeki talimatlara uyun.
- ◆ Zorlayıcı koşullarda akü akabilir. Akülerin üzerinde sıvı gördüğünüzde, sıvıyı bir bezle dikkatli bir şekilde silin. Cilde temasından kaçının.
- ◆ Cilt veya gözle teması halinde aşağıdaki talimatları uygulayın.

Uyarı! Akü sıvısı, seyreltilmiş bir hidrolik asittir ve kişisel yaralanmalara ya da maddi hasara yol açabilir. Ciltle teması halinde derhal bol suyla durulayın. Kızarıklık, ağrı veya tahriş meydana gelirse tıbbi yardım alın. Gözle teması halinde derhal temiz suyla durulayın ve tıbbi yardım alın.

Şarj cihazları

Şarj cihazınız belirli bir voltaj için tasarlanmıştır. Her zaman şebeke geriliminin aletin üretim etiketinde belirlenmiş değerlere uyup uymadığını kontrol edin.

Uyarı! Şarj cihazını kesinlikle normal bir elektrik fişi ile değiştirmeye kalkışmayın.

- ◆ Black & Decker şarj cihazınızı, yalnızca aletle birlikte verilen aküyü şarj etmek için kullanın. Diğer aküler patlayarak yaralanma veya hasara yol açabilir.
- ◆ Şarj edilme özelliği olmayan aküleri kesinlikle şarj etmeye çalışmayın.
- ◆ Kusurlu kabloları hemen değiştirin.
- ◆ Şarj cihazını suya maruz bırakmayın.
- ◆ Şarj cihazını açmayın.
- ◆ Şarj cihazını delmeyin.

- ◆ Akü, şarj sırasında iyi havalandırılmalı bir alana yerleştirilmelidir.

Elektrik güvenliği

Şarj cihazınız belirli bir voltajda kullanılmak üzere tasarlanmıştır. Şebeke voltajının, nominal değerler levhasında belirtilen voltaja uyduğundan daima emin olun. Asla şarj cihazını normal bir şebeke fişiyle değiştirme girişiminde bulunmayın.

Şarj cihazı üzerindeki semboller



Bu kullanım kılavuzunu baştan sona dikkatle okuyun.



Şarj cihazınız çift yalıtım ile donatılmıştır, bu nedenle topraklama kablosuna gerek duyulmaz.



Arıza emniyetli izolasyon trafosu. Şebeke kaynağı, trafo çıkışından elektriksel olarak ayrılmıştır.



Ortam sıcaklığı aşırı yükselirse, şarj cihazı otomatik olarak kapanır. Sonuç olarak, şarj cihazı çalışamaz hale gelir. Şarj ana ünitesinin şebeke kaynağı ile olan bağlantısı kesilmeli ve ünite, onarım için yetkili bir servis merkezine götürülmelidir.



Şarj ana ünitesi yalnızca iç mekanlarda kullanım içindir.

Özellikler

1. Toz toplayıcı
2. Serbest bırakma düğmesi
3. Açma/Kapatma düğmesi
4. Şarj göstergesi
5. Filtre temizleme düğmesi
6. Şarj ana ünitesi
7. Elektrikli fırça kafası

Şekil A

8. Fırça başlığı
9. Dar alan başlığı

Ürününüzü tanımlama

Model tasarımı, katalog numarasında kullanılan sonek kodlarından belirlenebilir. Bu kılavuzda aşağıdaki katalog numaraları açıklanmaktadır:

- ◆ DV96VXZ veya DV12VXZ.

V sonek kodu aşağıdaki tasarımlara karşılık gelir:

- ◆ 05: Küçük bir dar alan başlığı ve fırça başlık içeren tüm birimler.

X harfiyle gösterilen T sonek kodu, turbo fırça içeren modeller için kullanılır.

N harfiyle gösterilen Z sonek kodu, NiMH pili içeren modeller için kullanılır.

Kurulum

Şarj ana ünitesinin duvara takılması

Şarj ana ünitesi, cihaz için kullanışlı bir saklama yeri ve şarj noktası oluşturmak üzere bir tezgah üzerine koyulabilir veya duvara takılabilir.

Üniteyi duvara takarken, kullandığınız yöntemin duvar tipine ve cihazın ağırlığına uygun olduğundan emin olun.

Not: Ünitenin elektrikli kafa takılıyken duvara monte şarj ana ünitesine takılmayacağına dikkat edin.

Cihazın kurulması

Elektrikli fırça kafasını takma

Fırça kafası (7), kesik havlı halıların temizlenmesini sağlar. Fırça başlık, basılmış halı tüylerini kaldırırken ve özellikle de tüy, iplik vb.maddeleri temizlerken kullanışlıdır.

- ◆ Fırça başlığı (7) cihazın ön tarafına takın. Fırça başlığın tamamen içeri itildiğinden emin olun.

Aksesuarların takılması (Şekil A ve B)

Bu modeller aşağıdaki aksesuarların bazıları veya tümü ile birlikte sağlanır:

- ◆ Sıkışık alanlar için bir dar alan başlığı (9).
- ◆ Mobilyalar ve merdivenler için bir fırça başlık (8).

Bir aksesuar takmak için, aşağıdaki talimatları uygulayın:

- ◆ Aksesuarı cihazın üzerindeki saklama konumundan (7) çıkarın (Şekil J).
- ◆ Uygun aksesuarı cihazın önüne takın.

Kalıntı riskleri

Araç kullanılırken, araçla birlikte gönderilen güvenlik uyarılarında yer almayan farklı kalıntı riskleri ortaya çıkabilir. Bu riskler yanlış kullanım, uzun süreli kullanım, vb. nedenlerden kaynaklanabilir.

İlgili güvenlik düzenlemeleri ve güvenlik cihazları uygulamaları yapılsa dahi, bazı kalıntı riskleri önlenemeyebilir. Bu riskler arasında aşağıdakiler bulunur:

- ◆ Dönen/hareket eden parçalara dokunulmasından kaynaklanan yaralanmalar.
- ◆ Parça, bıçak veya aksesuar değiştirilirken ortaya çıkan yaralanmalar.
- ◆ Bir aracın uzun süre kullanılmasıyla kaynaklanan yaralanmalar. Herhangi bir aracı uzun süre kullanıyorsanız, düzenli olarak kullanıma ara vermeyi unutmayın.
- ◆ İşitme kaybı
- ◆ Aracınızı kullanırken ortaya çıkan tozu solumanızdan kaynaklanan sağlık tehlikeleri (örneğin, tahta, özellikle de meşe, kayın ve MDF ürünleri ile çalışırken).

Kullanım

- ◆ İlk kullanımdan önce pilin en az 24 saat şarj edilmesi gerekmektedir.
- ◆ Kullanılmadığı zamanlarda, cihazı şarj ana ünitesi üzerine yerleştirin.

Pilin şarj edilmesi (Şekil C)

Pili şarj etmeden önce:

- ◆ Cihazın kapalı olduğundan emin olun. Açma/kapatma düğmesi (3) açık konumundayken pil şarj olmaz.
- ◆ Cihazı aşağıda gösterildiği şekilde şarj ana ünitesine (6) yerleştirin.
- ◆ Şarj cihazını prize takın. Varsa, şebeke prizinin düğmesini açık konumuna getirin.

Şarj göstergesi (4) yanacaktır.

- ◆ Cihazı en az 24 saat boyunca şarj edin.

Şarj sırasında şarj cihazı ısınabilir. Bu normal bir durumdur ve bir sorun olduğuna işaret etmez. Cihaz süresiz olarak şarj cihazına bağlı şekilde bırakılabilir. Cihaz, prize takılı olan şarj cihazına bağlı olduğu sürece şarj göstergesi (4) yanacaktır.

Uyarı! Ortam sıcaklığı 10°C'den düşük veya 40°C'den yüksekse pili şarj etmeyin.

Cihazın açılması ve kapatılması (şek. D)

- ◆ Cihazı çalıştırmak için, açma/kapatma düğmesini (3) ileri kaydırın.
- ◆ Cihazı kapatmak için, açma/kapatma düğmesini (3) geri kaydırın.

Emiş gücünün en iyi duruma getirilmesi (Şekil G)

Emiş gücünü en iyi durumda tutmak için, filtrelerin kullanım sırasında düzenli aralıklarla temiz hale getirilmesi gerekir.

- ◆ Filtreleri (10 ve 11) tıkayan tozu çıkarmak için filtre temizleme düğmesini (5) birkaç kez yukarı aşağı kaydırın.

Temizlik ve bakım

Uyarı! Filtreleri düzenli aralıklarla temizleyin (10 ve 11).

Fırça başlığını temizleme

- ◆ Fırça çubuğunun çevresine sarılmış ya da sıkışık kalmış kılları, kırıntıları temizleyerek çubuğun takılmadan dönmesini sağlayın. Gerekirse makas kullanın.

Toz toplayıcının ve filtrelerin temizlenmesi (Şekil F - I)

Filtreler yeniden kullanılabilir ve düzenli aralıklarla temizlenmelidir.

- ◆ Serbest bırakma düğmesine (2) basın ve toz toplayıcıyı (1) çıkarın.
- ◆ Toz toplayıcıyı (1) boşaltın (Şekil G).
- ◆ Filtreleri (10 ve 11) saat yönünde çevirerek çıkarın (Şekil H).
- ◆ Filtreleri ayırın (10 ve 11)
- ◆ Filtrelerin (10 ve 11) üzerindeki tozları fırçayla temizleyin.
- ◆ Filtreleri ılık, sabunlu suyla yıkayın (Şekil I).

Uyarı! Cihazı suya batırmayın.

- ◆ Toz toplayıcının (1) ve filtrelerin (10 ve 11) kuru olduğundan emin olun.
- ◆ Filtreleri (10 ve 11) yerlerine oturana kadar saat yönünün tersine çevirerek yeniden cihaza yerleştirin.
- ◆ Toz toplayıcıyı (1) yeniden cihaza yerleştirin. Toz toplayıcının klik sesiyle yerine oturduğundan emin olun.

Uyarı! Cihazı asla filtreleri olmadan kullanmayın. En iyi toz toplama performansını ancak temiz filtreler ile elde edebilirsiniz.

Filtrelerin değiştirilmesi

Filtreler her 6 ila 9 ayda bir değiştirilmenin yanı sıra, yıprandıklarında veya hasar gördüklerinde de değiştirilmelidir. Yedek filtreleri Black & Decker bayinizden temin edebilirsiniz (kat. no. VF70):

- ◆ Eski filtreleri yukarıda açıklandığı gibi çıkarın.
- ◆ Yeni filtreleri yukarıda açıklandığı gibi takın.

Aksesuarların saklanması (şek. J)

- ◆ Aksesuarları klik sesiyle yerlerine oturana kadar kendilerine uyan yuvaların içine bastırın.

Çevrenin korunması



Ayrı toplama. Bu ürün, normal ev çöpleriyle birlikte atılmamalıdır.

İleride Black & Decker ürününü değiştirmeye ya da cihazınızın artık kullanılmaz duruma geldiğine karar verirseniz, ev atıklarıyla birlikte atmayın. Bu ürünün ayrıca toplanmasını sağlayın.



Kullanılmış ürün ve ambalajların ayrı ayrı toplanması, malzemelerin geri dönüştürülerek yeniden kullanılmasına olanak tanır. Geri dönüştürülmüş malzemelerin yeniden kullanılması çevre kirliliğinin önlenmesine yardımcı olur ve hammadde talebini azaltır.

Belediyeler, elektrikli ev aletlerinin, yasal düzenlemelerle kendi gösterecekleri atık alanlarında ya da yeni bir ürün alındığında satıcı aracılığıyla ev çöplerinden ayrı toplanmasını sağlayabilir.

Black & Decker, sattığı ürünler kullanım ömürlerini tamamladığında, bu ürünlerin toplanıp geri dönüştürülmesine yönelik bir hizmet sunmaktadır. Bu hizmetten yararlanmak için, ürününüzü bir yetkili servise götürebilirsiniz. Yetkili servisler bu ürünleri bizim adımıza kabul etmektedir.

Bu kılavuzda adresi bulunan yerel Black & Decker bürosuyla bağlantı kurarak size en yakın yetkili servisin yerini öğrenebilirsiniz. Ayrıca, yetkili Black & Decker servislerinin listesini, satış sonrası hizmetlerine ilişkin tüm ayrıntıları ve bağlantı bilgilerini: www.2helpU.com adresindeki Internet sitesinden edinebilirsiniz.

Pil (Şekil K)



Ürünü kendiniz atmak istiyorsanız, pil aşağıda anlatıldığı gibi çıkarılmalı ve yerel düzenlemelere uygun şekilde atılmalıdır.

- ◆ Cihazı motoru durana kadar çalıştırarak pilin boşalmasını sağlamanız önerilir.
- ◆ Serbest bırakma düğmesine (2) basın ve toz toplayıcıyı (1) çıkarın.
- ◆ Filtreleri (10 ve 11) saat yönünde çevirerek çıkarın (Şekil H).
- ◆ Cihazın gövdesini bir arada tutan yedi vidayı çıkarın.
- ◆ Kapak yarısını gövde yarısından ayırın.
- ◆ DV96VXZ ve DV12VXZ, katalog numaraları için,
 - küçük kapağı, filtre temizleme sürgüsünden çekip çıkarın ve sürgüyü yerinde tutan vidayı kaldırın.
 - tüm motor/fan/pil takımını kaldırın
- ◆ Pil takımını ana gövdeden çıkarın.
- ◆ Pili, uçları birbiriyle kısa devre yapmayacak biçimde uygun bir ambalaja koyun.
- ◆ Pili servisimize veya bir yerel geri dönüşüm birimine ulaştırın.

Pil bir kere çıkarıldıktan sonra yeniden yerine takılamaz.

Teknik bilgiler

	DV9605TN H2	DV1205TN H2
Voltaj	Vdc 9,6	12,0
Pil	Type NiCD/NiMH	NiCD/NiMH
Ağırlık	kg 1,3	1,4
Başlık		
Ağırlık	kg 1,6	1,7

Şarj cihazı	*A135040I	CHA002014*	CHA00302*	*A140020D
Model	DV12	DV12	DV12	DV96
Giriş voltajı	Vac 230	100-240	100-240	230
Çıkış gerilimi	13,5 Vac	7,2-24 Vdc	7,2-24 Vdc	14 Vac
Çıkış akımı	mA 400	85	130	200
Yaklaşık şarj süresi (minimum)	h 24	24	24	24
Ağırlık	kg 0,3	0,3	0,3	0,3

Ses basınç düzeyi, EN 60704-1 göre ölçülür: <70 dB(A)

Garanti

Black & Decker kalitesine güvendiği ürünleri için seçkin bir garanti sunmaktadır. Bu garanti bildirimini yasal haklarınıza hiçbir şekilde zarar vermemekte, aksine katkı sağlamaktadır. Bu garanti Avrupa Birliğine Üye Ülkeler'de ve Avrupa Serbest Ticaret Bölgesi'nde geçerlidir.

Bir Black & Decker ürünü, satın alma tarihinden itibaren 24 ay içinde hatalı malzeme, işçilik ya da standartlara uygun olmama nedeniyle bozulursa, Black & Decker arızalı parçaların değiştirilmesi, makul ölçüde aşınmış ve yıpranmış ürünlerin onarılması ya da bu ürünlerin müşteri için sağlanabilecek en uygun koşullarda değiştirilmesi garantisini vermektedir. Aşağıda belirtilen koşullar garanti kapsamında değildir:

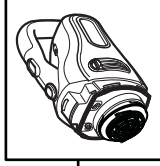
- ◆ Ürün ticari, mesleki amaçlarla ya da kiralama amacıyla kullanılmışsa.
- ◆ Ürün yanlış ya da dikkatsiz kullanılmışsa.
- ◆ Yabancı nesnelere, maddelere ya da kazayla ürüne zarar verilmişse.
- ◆ Black & Decker yetkili servisleri ya da servis elemanları dışındaki kişilerce onarılmaya çalışılmışsa.

Garanti kapsamında talepte bulunmak için satıcıya ya da yetkili servise faturanızı göstermeniz gerekmektedir. Bu kılavuzda adresi bulunan yerel Black & Decker bürosuyla bağlantı kurarak size en yakın yetkili servisin yerini öğrenebilirsiniz. Ayrıca, yetkili Black & Decker servislerinin listesini, satış sonrası hizmetlerine ilişkin tüm ayrıntıları ve bağlantı bilgilerini:

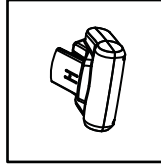
www.2helpU.com adresindeki İnternet sitesinden edinebilirsiniz.

Satın aldığınız Black & Decker ürünü kaydettirmek, yeni ürünlerden haberdar edilmek ve özel fırsatlardan yararlanmak için lütfen **www.blackanddecker.com** adresindeki İnternet sitemizi ziyaret ediniz. Black & Decker markasına ve ürün çeşitlerimize ilişkin daha ayrıntılı bilgiyi **www.blackanddecker.com** adresinden edinebilirsiniz.

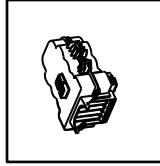
Partial support - Only parts shown available
Nur die aufgeführten teile sind lieferbar
Reparation parziale - Seules les pieces indiquees sont disponibles
Supporto parziale - Sono disponibili soltanto le parti evidenziate
Solo estan disponibles las peizas listadas
So se encontram disponibles as pecas listadas
Gedeeltelijke ondersteuning - alleen de getoonde onderdelen
zijn beschikbaar



1



36



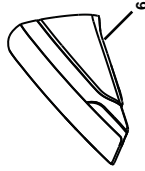
3



5



4



6



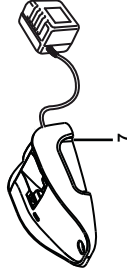
16



22



23



7

ENGLISH

Do not forget to register your product!
www.blackanddecker.co.uk/productregistration

Register your product online at www.blackanddecker.co.uk/productregistration or send your name, surname and product code to Black & Decker in your country.

DEUTSCH

Vergessen Sie nicht, Ihr Produkt registrieren zu lassen!
www.blackanddecker.de/productregistration

Lassen Sie Ihr Produkt unter www.blackanddecker.de/productregistration online registrieren oder schicken Sie Ihren Nachnamen, Vornamen und den Produktcode an Black & Decker in Ihrem Land.

FRANÇAIS

N'oubliez pas d'enregistrer votre produit !
www.blackanddecker.fr/productregistration

Enregistrez votre produit en ligne sur www.blackanddecker.fr/productregistration ou envoyez vos nom, prénom et code produit à Black & Decker dans votre pays.

ITALIANO

Non dimenticate di registrare il prodotto!
www.blackanddecker.it/productregistration

Registrate il prodotto online su www.blackanddecker.it/productregistration o inviate nome, cognome e codice del prodotto al centro Black & Decker del vostro paese.

NEDERLANDS

Vergeet niet uw product te registreren!
www.blackanddecker.nl/productregistration

U kunt uw product online registreren op www.blackanddecker.nl/productregistration of u kunt uw voornaam, achternaam en productcode opsturen naar Black & Decker in uw land.

ESPAÑOL

¡No olvide registrar su producto!
www.blackanddecker.es/productregistration

Registre su producto on-line en www.blackanddecker.es/productregistration o envíe su nombre, apellidos y código de producto a Black & Decker en su país.

PORTUGUÊS

Não se esqueça de registar o seu produto!
www.blackanddecker.pt/productregistration

Registe o seu produto online em www.blackanddecker.pt/productregistration ou envie o seu nome, apelido e código do produto para a Black & Decker no seu país.

SVENSKA

Glöm inte att registrera produkten!
www.blackanddecker.se/productregistration

Registrera produkten online på www.blackanddecker.se/productregistration eller skicka namn och produktkod till Black & Decker i landet du bor i.

NORSK

Ikke glem å registrere produktet ditt!
www.blackanddecker.no/productregistration

Registrer produktet ditt online på www.blackanddecker.no/productregistration, eller send ditt navn, etternavn og produktkode til Black & Decker i ditt eget land.

DANSK

Glem ikke at registrere dit produkt!
www.blackanddecker.dk/productregistration

Registrer dit produkt på internettet på: www.blackanddecker.dk/productregistration eller send dit navn, efternavn og produktkode til Black & Decker i dit eget land.

SUOMI

Muistathan rekisteröidä tuotteesi!
www.blackanddecker.fi/productregistration

Rekisteröi tuotteesi verkossa osoitteessa www.blackanddecker.fi/productregistration tai lähetä etunimesi, sukunimesi ja tuotekoodi oman maasi Black & Decker -edustajalle.

ΕΛΛΗΝΙΚΑ

Μην ξεχάσετε να καταχωρίσετε το προϊόν σας!
www.blackanddecker.gr/productregistration

Καταχωρίστε το προϊόν σας σε σύνδεση στη σελίδα www.blackanddecker.gr/productregistration ή στείλετε το όνομα, επίθετο σας και τον κωδικό προιοντός στη Black & Decker στη χώρα σας.

Australia	Black & Decker (Australia) Pty. Ltd. 20 Fletcher Road, Mooroolbark, Victoria, 3138	Tel. 03-8720 5100 Fax 03-9727 5940
België/Belgique	Black & Decker (Belgium) N.V. Nieuwlandlaan 321 3200 Aarschot	Tel. 016 68 91 00 Fax 016 68 91 11
Danmark	Black & Decker Sluseholmen 2-4, 2450 København SV Internet: www.blackanddecker.dk	Tel. 70 20 15 10 Fax 70 22 49 10
Deutschland	Black & Decker GmbH Black & Decker Str. 40, D - 65510 Idstein	Tel. 06126/21 - 0 Fax 06126/21 29 80
Ελλάδα	Black & Decker (Ελλάς) A.E Στράβωνος 7 & Λεωφ. Βουλιαγμένης 159 166 74 Γλυφάδα - Αθήνα	Τηλ. 210 8981616 Φαξ 210 8983285 www.blackanddecker.gr
España	Black & Decker Ibérica, S.C.A. Parc de Negocis "Mas Blau" Edificio Muntadas, c/Bergadá, 1, Of. A6 08820 El Prat de Llobregat (Barcelona)	Tel. 934 797 400 Fax 934 797 419
France	Black & Decker (France) S.A.S. B.P. 21, 69571 Dardilly Cédex	Tel. 04 72 20 39 20 Fax 04 72 20 39 00
Helvetia	ROFO AG Gewerbezone Seeblick 3213 Kleinbödingen	Tel. 026-6749391 Fax 026-6749394
Italia	Black & Decker Italia SpA Viale Elvezia 2 20052 Monza (MI)	Tel. 039-23871 Fax 039-2387592/2387594 Numero verde 800-213935
Nederland	Black & Decker Benelux Joulehof 12, 4622 RG Bergen op Zoom	Tel. 0164 - 283000 Fax 0164 - 283100
New Zealand	Black & Decker 81 Hugo Johnston Drive Penrose, Auckland, New Zealand	Tel. 09 579 7600 Fax 09 579 8200
Norge	Black & Decker (Norge) A/S Postboks 4814, Nydalen, 0422 Oslo Internet: www.blackanddecker.no	Tif. 22 90 99 00 Fax 22 90 99 01
Österreich	Black & Decker Vertriebsges.m.b.H Oberlaaerstraße 246, A1100 Wien	Tel. 01 66116-0 Fax 01 66116-14
Portugal	Black & Decker Rua Egas Moniz 173 S. João do Estoril 2766-651 Estoril	Tel. 214667500 Fax 214667580
Suomi	Black & Decker Oy Keilasatama 3, 02150 Espoo Black & Decker Oy, Kägelhamnen 3, 02150 Esbo	Puh. 010 400 430 Faksi (09) 2510 7100 Tel. 010 400 430 Fax (09) 2510 7100
Sverige	Black & Decker AB Fabriksg. 7, 412 50 Göteborg	Tel. 031-68 60 60 Fax 031-68 60 80
Türkiye	İntratek Mühendislik ve Dış Tic. A.Ş. Atatürk Mah. Girne Cad. No. 45 34750 Küçükbakkalköy Kadıköy İstanbul	Tel. 0216 456 60 60 Faks 0216 456 60 84
United Kingdom	Black & Decker 210 Bath Road Slough, Berkshire SL1 3YD	Tel. 01753 511234 Fax 01753 551155 Helpline 01753 574277
Middle East & Africa	Black & Decker (Overseas) A.G. PB 5420, Dubai, United Arab Emirates	Tel. +971 4 2826464 Fax +971 4 2826466