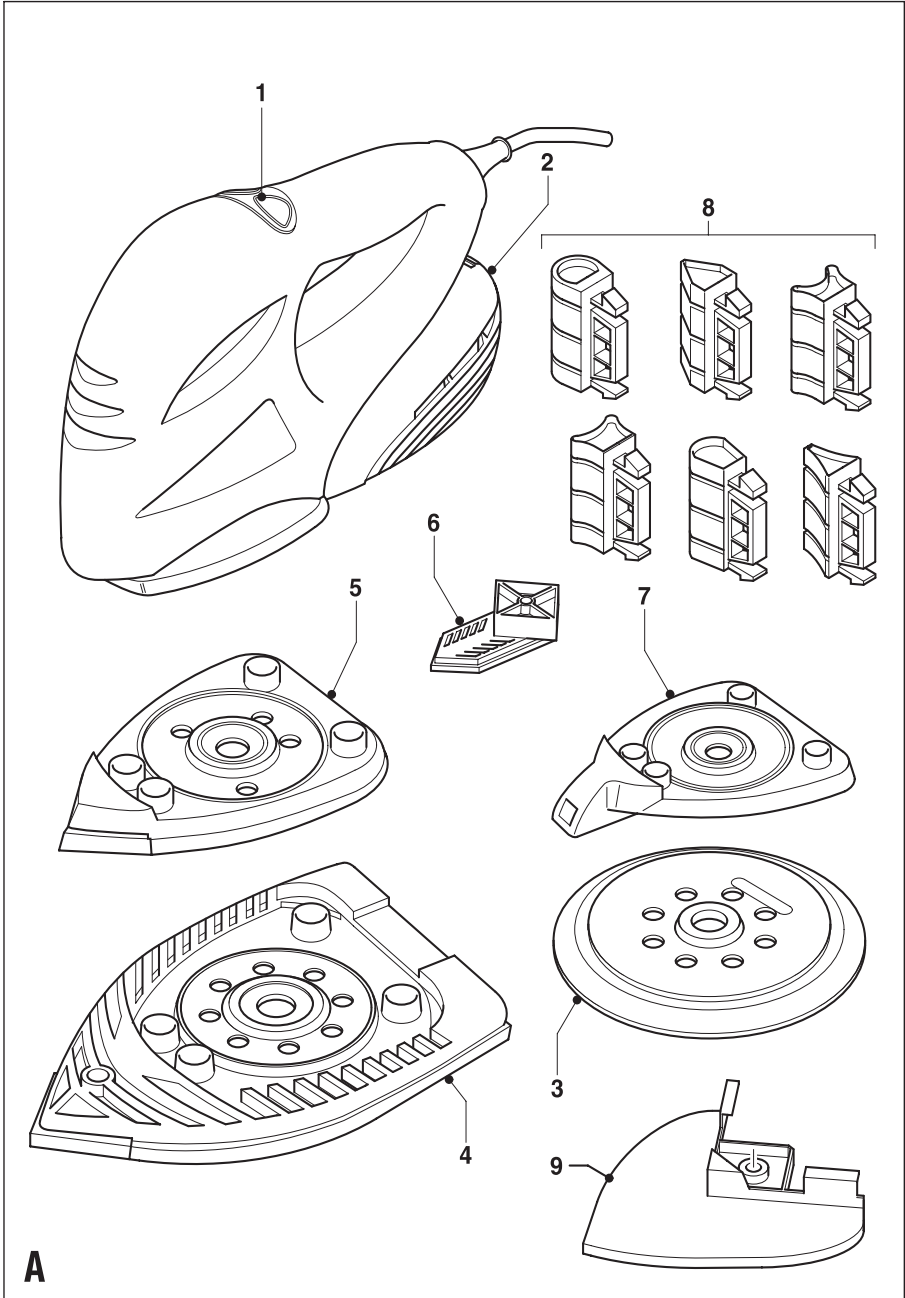


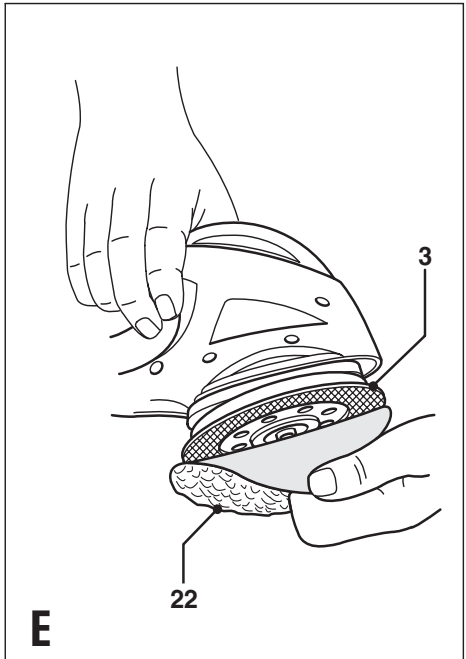
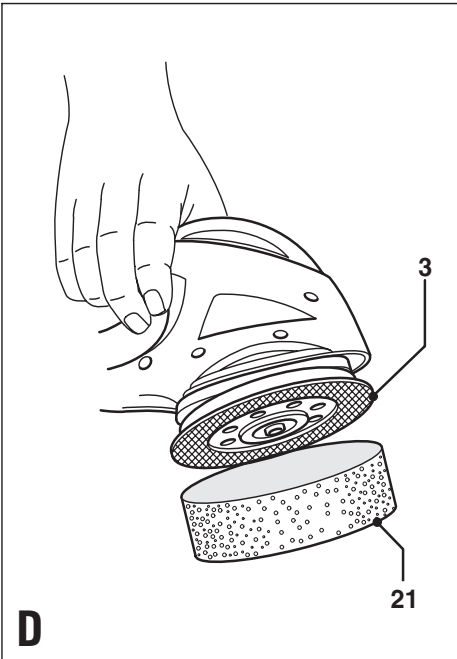
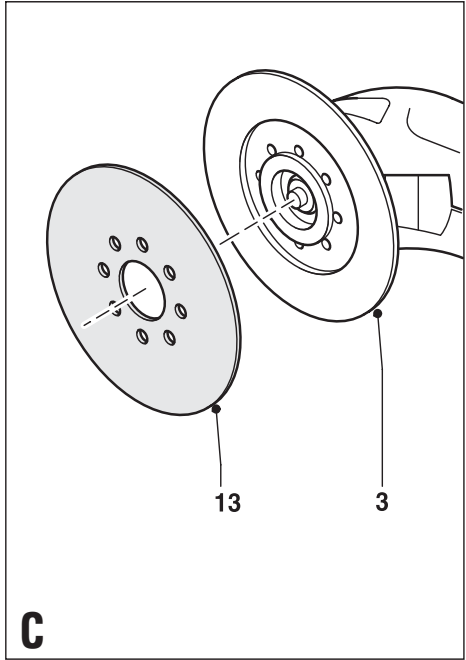
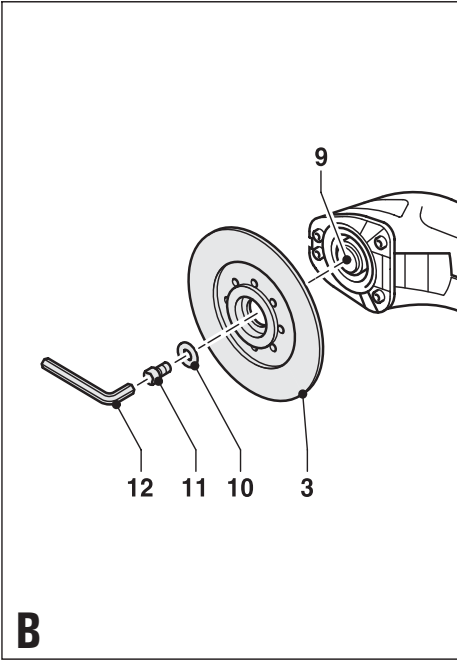
**UK**

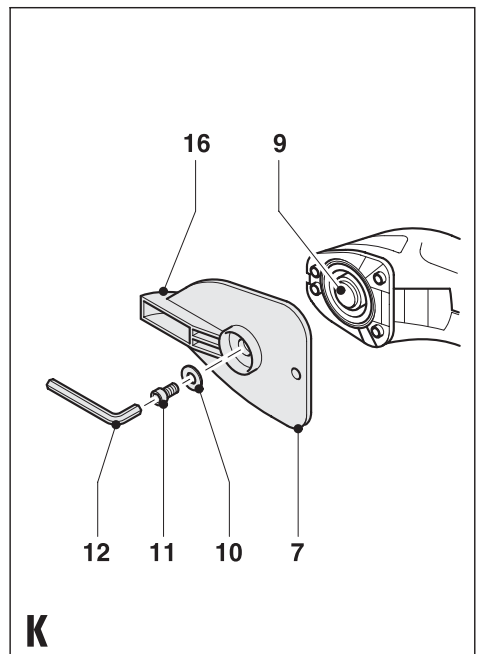
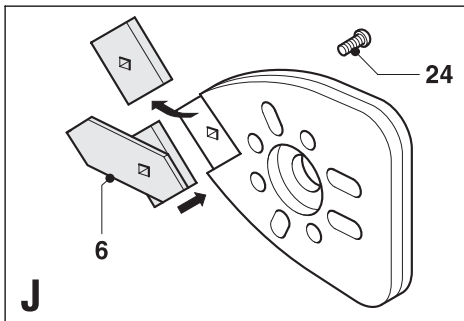
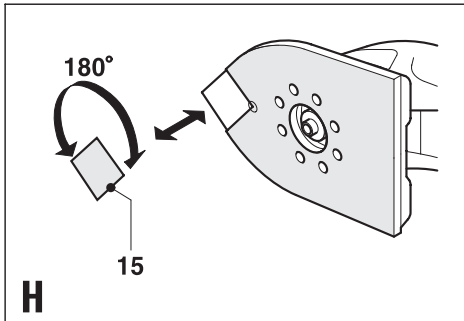
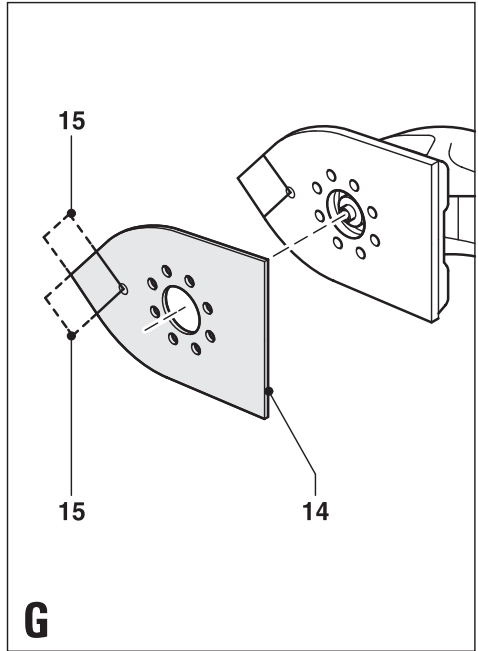
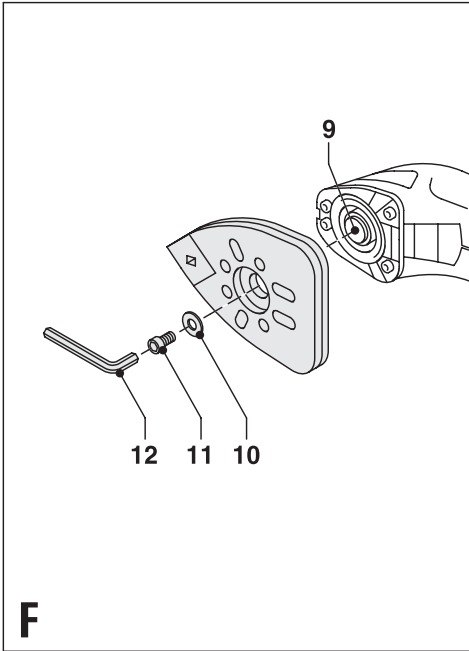
**Ireland**

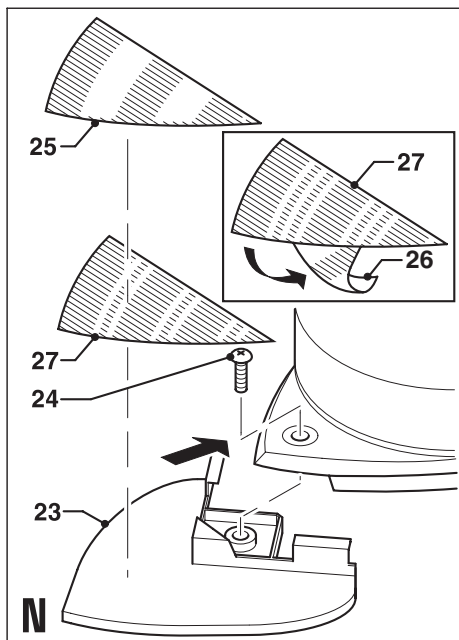
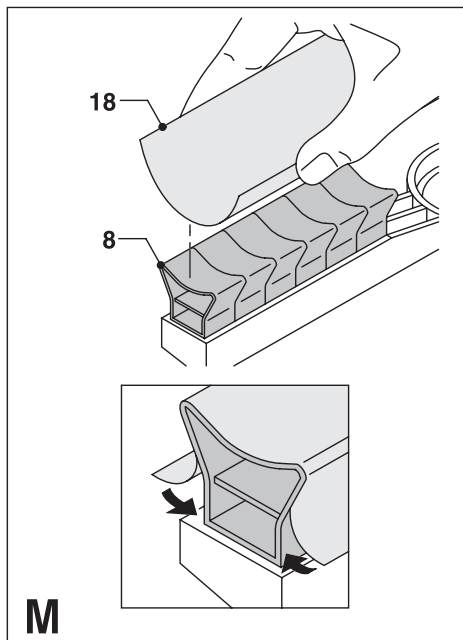
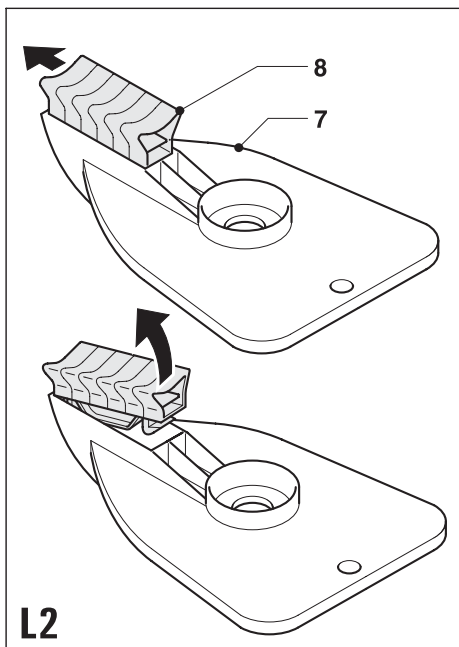
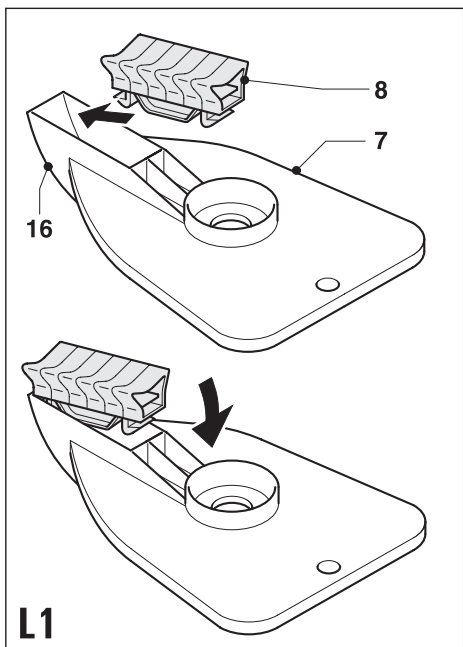
**Australia**

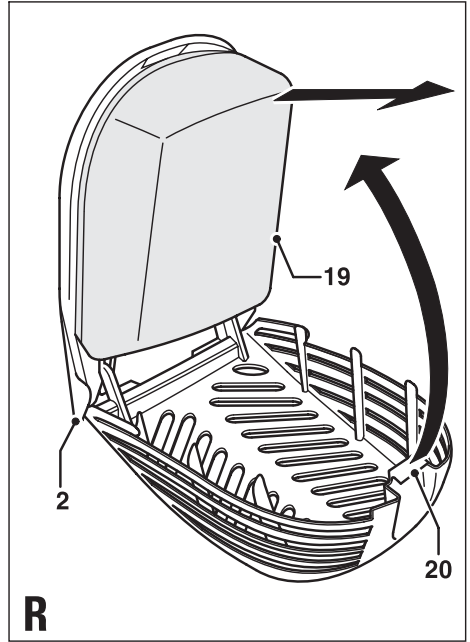
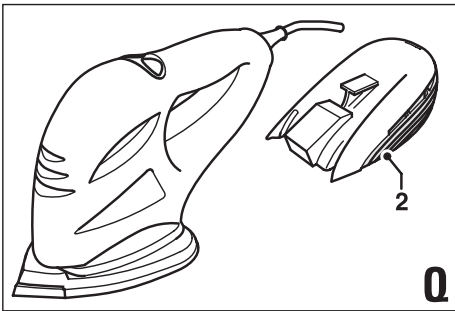
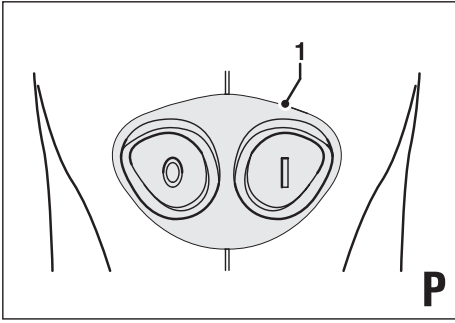
**New Zealand**











## Intended use

Your Black & Decker sander has been designed for sanding wood, metal, plastics and painted surfaces. This tool is intended for consumer use only.

## General safety rules

**Warning!** Read all instructions. Failure to follow all instructions listed below may result in electric shock, fire and/or serious injury. The term “power tool” in all of the warnings listed below refers to your mains operated (corded) power tool or battery operated (cordless) power tool. **SAVE THESE INSTRUCTIONS.**

- 1. Work area**
  - a. Keep work area clean and well lit.** Cluttered and dark areas invite accidents.
  - b. Do not operate power tools in explosive atmospheres, such as in the presence of flammable liquids, gases or dust.** Power tools create sparks which may ignite the dust or fumes.
  - c. Keep children and bystanders away while operating a power tool.** Distractions can cause you to lose control.
- 2. Electrical safety**
  - a. Power tool plugs must match the outlet. Never modify the plug in any way. Do not use any adapter plugs with earthed (grounded) power tools.** Unmodified plugs and matching outlets will reduce risk of electric shock.
  - b. Avoid body contact with earthed or grounded surfaces such as pipes, radiators, ranges and refrigerators.** There is an increased risk of electric shock if your body is earthed or grounded.
  - c. Do not expose power tools to rain or wet conditions.** Water entering a power tool will increase the risk of electric shock.
  - d. Do not abuse the cord. Never use the cord for carrying, pulling or unplugging the power tool. Keep cord away from heat, oil, sharp edges or moving parts.** Damaged or entangled cords increase the risk of electric shock.
  - e. When operating a power tool outdoors, use an extension cord suitable for outdoor use.** Use of a cord suitable for outdoor use reduces the risk of electric shock.
- 3. Personal safety**
  - a. Stay alert, watch what you are doing and use common sense when operating a power tool. Do not use a power tool while you are tired or under the influence of drugs, alcohol or medication.** A moment of inattention while operating power tools may result in serious personal injury.
  - b. Use safety equipment. Always wear eye protection.** Safety equipment such as dust mask, non-skid safety shoes, hard hat, or hearing protection used for appropriate conditions will reduce personal injuries.
  - c. Avoid accidental starting. Ensure the switch is in the off position before plugging in.** Carrying power tools with your finger on the switch or plugging in power tools that have the switch on invites accidents.
  - d. Remove any adjusting key or wrench before turning the power tool on.** A wrench or a key left attached to a rotating part of the power tool may result in personal injury.
  - e. Do not overreach. Keep proper footing and balance at all times.** This enables better control of the power tool in unexpected situations.
  - f. Dress properly. Do not wear loose clothing or jewellery. Keep your hair, clothing and gloves away from moving parts.** Loose clothes, jewellery or long hair can be caught in moving parts.
  - g. If devices are provided for the connection of dust extraction and collection facilities, ensure these are connected and properly used.** Use of these devices can reduce dust related hazards.
- 4. Power tool use and care**
  - a. Do not force the power tool. Use the correct power tool for your application.** The correct power tool will do the job better and safer at the rate for which it was designed.
  - b. Do not use the power tool if the switch does not turn it on and off.** Any power tool that cannot be controlled with the switch is dangerous and must be repaired.
  - c. Disconnect the plug from the power source before making any adjustments, changing accessories, or storing power tools.** Such preventive safety measures reduce the risk of starting the power tool accidentally.
  - d. Store idle power tools out of the reach of children and do not allow persons unfamiliar with the power tool or these instructions to operate the power tool.** Power tools are dangerous in the hands of untrained users.
  - e. Maintain power tools. Check for misalignment or binding of moving parts, breakage of parts and any other condition that may affect the power tools operation. If damaged, have the power tool repaired before use.** Many accidents are caused by poorly maintained power tools.
  - f. Keep cutting tools sharp and clean.** Properly maintained cutting tools with sharp cutting edges are less likely to bind and are easier to control.
  - g. Use the power tool, accessories and tool bits etc., in accordance with these instructions and in the manner intended for the particular type of power tool, taking into account the working conditions and the work to be performed.** Use of the power tool for operations different from those intended could result in a hazardous situation.

## 5. Service

- a. Have your power tool serviced by a qualified repair person using only identical replacement parts.** This will ensure that the safety of the power tool is maintained.

### Additional safety instructions for sanders

- ◆ Always wear a dust mask whenever sanding.
- ◆ Thoroughly remove all dust after sanding.
- ◆ Take special care when sanding paint which is possibly lead based or when sanding some woods and metal which may produce toxic dust:
  - Wear a dust mask specifically designed for protection against lead paint dust and fumes and ensure that persons within or entering the work area are also protected.
  - Do not let children or pregnant women enter the work area.
  - Do not eat, drink or smoke in the work area.
  - Dispose of dust particles and any other debris safely.
- ◆ Before using the tool on wooden workpieces, make sure to fit the dust cassette.
- ◆ Before using the tool on metal workpieces, make sure to remove the dust cassette.
- ◆ Never use the tool without a sanding sheet.
- ◆ Never use the tool without a sanding base.
- ◆ This appliance is not intended for use by young or infirm persons without supervision. Children must be supervised to ensure they do not play with the appliance.
- ◆ If the supply cord is damaged, it must be replaced by the manufacturer or an authorised Black & Decker Service Centre in order to avoid a hazard.

### Electrical safety



This tool is double insulated; therefore no earth wire is required. Always check that the power supply corresponds to the voltage on the rating plate.

### Features

1. On/off switch
2. Dust cassette
3. Random orbit sanding base
4. Large detail sanding base

The following items may not be supplied with your model, refer to packaging.

5. Small detail sanding base
6. Detail finger attachment
7. Profile sanding base
8. Sanding profiles (KA250 and KA260 only)
9. Louvre attachment
10. Gel comfort grip

**Note:** Due to continuous development, the appearance of some of the items may vary.

## Assembly

**Warning!** Before assembly, make sure that the tool is switched off and unplugged.

**Warning!** After a period of use the base fixing screw may be too hot to touch, use the tool provided.

### Random orbit sanding base

With this sanding base, you can use the tool as a random orbit sander.

### Fitting and removing the sanding base (fig. B)

- ◆ Place the sanding base (3) onto the spindle (9).
- ◆ Place the washer (10) onto the spindle.
- ◆ Insert the Allen screw (11) into the screw hole in the spindle.
- ◆ Tighten the Allen screw using the Allen key (12) supplied.
- ◆ To remove the sanding base, remove the Allen screw (11) and washer (10).

### Fitting sanding sheets (fig. C)

- ◆ Hold the tool with the sanding base (3) facing upwards.
- ◆ Place the sanding sheet (13) onto the sanding base (3). The holes in the sheet do not need to line up with the holes in the base.

### Fitting the polishing foam pad (fig. D)

The polishing foam pad is used to apply the polishing agent or wax to the workpiece.

- ◆ Hold the tool with the sanding base (3) facing upwards.
- ◆ Place the pad (21) onto the sanding base (3).

### Fitting the polishing bonnet (fig. E)

The polishing bonnet is used to polish the workpiece.

- ◆ Hold the tool with the sanding base (3) facing upwards.
- ◆ Place the bonnet (22) onto the sanding base (3).

### Small or large detail sanding base

With this sanding base, you can use the tool as a detail sander or an orbital sander.

### Fitting and removing the sanding base (fig. F)

- ◆ Place the sanding base onto the spindle (9). Make sure that the legs locate in the base.
- ◆ Place the washer (10) onto the spindle.
- ◆ Insert the Allen screw (11) into the screw hole in the spindle.
- ◆ Tighten the Allen screw using the Allen key (12) supplied.
- ◆ To remove the sanding base, remove the Allen screw (11) and washer (10).

### Fitting sanding sheets (fig. G)

- ◆ Detach the two diamond-shaped sanding tips (15) from the sanding sheet (14).



- ◆ Hold the tool with the sanding base facing upwards.
- ◆ Place the sanding sheet (14) onto the sanding base, making sure that the holes in the sheet line up with the holes in the base.

### Diamond-shaped sanding tips (fig. H)

The diamond-shaped sanding tips (15) can be reversed and replaced when worn.

- ◆ When the front part of the tip is worn, detach it from the sheet, reverse it and press it onto the sanding base again.
- ◆ When the whole tip is worn, remove it from the sanding base and fit a new tip.

### Tip of the sanding base (fig. J)

When the sanding base tip is worn, it can be reversed or replaced. When the tip holder is worn, it can be replaced. Spare parts are available from your Black & Decker dealer.

- ◆ Remove the screw (24).
- ◆ Reverse or replace the worn part.
- ◆ Fit & tighten the screw.

### Finger attachment (fig. J)

The finger attachment is used for fine detail sanding.

- ◆ Remove the diamond-shaped part from the sanding base.
- ◆ Fit the finger attachment (6) onto the sanding base.

### Profile sanding base

With this sanding base, you can use the tool for contour sanding.

### Fitting and removing the sanding base (fig. K)

- ◆ Place the sanding base onto the spindle (9) with the profile holder (16) pointing to the front of the tool. Make sure that the legs locate in the base.
- ◆ Place the washer (10) onto the spindle.
- ◆ Insert the Allen screw (11) into the screw hole in the spindle.
- ◆ Tighten the Allen screw using the Allen key (12) supplied.
- ◆ To remove the sanding base, remove the Allen screw (11) and washer (10).

### Fitting and removing a sanding profile (fig. L1 & L2)

- ◆ Choose the sanding profile most suitable for your application.
- ◆ Place one end of the sanding profile (8) into the recess at the front end of the profile holder (16) (fig. L1).
- ◆ Push the other end of the sanding profile until it clicks into place.
- ◆ To remove the sanding profile, push it forward and pull the rear end out of the profile holder (fig. L2).

### Fitting sanding sheets (fig. M)

- ◆ Align the sanding sheet (18) with the sanding profile (8).

- ◆ Press the sanding sheet onto the sanding profile, making sure that the sanding sheet follows the shape of the profile.

### Louvre attachment (fig. N)

With the louvre attachment you can work in crevices and use the sanding base on both sides.

- ◆ Remove the tip of the sanding base and the tip holder (fig. J).
- ◆ Fit the louvre base (23) over the tip of the pointed base.
- ◆ Secure the louvre base with the screw (24).
- ◆ Stick the main abrasive sheet to the underside of the louvre base. Part of it will stick to the front part of the pointed base.

For sanding down louvre slats on both sides, abrasive paper can also be fitted to the top side of the attachment.

- ◆ Remove the backing paper (26) from the velcro fastener (27).
- ◆ Stick the velcro fastener to the top surface of the louvre attachment.
- ◆ Fit the sanding piece (25) to the velcro fastener.

### USE

**Warning!** Let the tool work at its own pace.

**Warning!** Do not overload.

### Switching on and off (fig. P)

- ◆ To switch the tool on, press the part of the on/off switch (1) marked 'I'.
- ◆ To switch the tool off, press the part of the on/off switch (1) marked 'O'.

### Automatic brake system (ABS)

This tool has an automatic brake system. When the tool is not on the work surface, this feature keeps the speed of the disc below the speed of the motor. When the tool is switched off, the disc will stop very quickly.

### Emptying the dust cassette (fig. Q & R)

The dust cassette should be emptied every 10 minutes of use.

- ◆ Pull the dust cassette (2) to the rear and off the tool.
- ◆ Hold dust cassette with the outlet facing down and shake the cassette to empty the contents.
- ◆ Refit the dust cassette onto the tool.

If necessary, the dustbag can be removed from the cassette and washed.

- ◆ Press the latch (20) and open the dust cassette as shown (fig. R).
- ◆ Remove the dustbag (19).
- ◆ Let the dustbag dry before refitting it.
- ◆ Refit the dustbag before storing the tool.

## Hints for optimum use

- ◆ Always hold the tool with both hands (fig. S).
- ◆ Do not place your hands over the ventilation slots.
- ◆ Do not exert too much pressure on the tool.
- ◆ Regularly check the condition of the sanding sheet. Replace when necessary.
- ◆ Always sand with the grain of the wood.
- ◆ When sanding new layers of paint before applying another layer, use extra fine grit.
- ◆ On very uneven surfaces, or when removing layers of paint, start with a coarse grit. On other surfaces, start with a medium grit. In both cases, gradually change to a fine grit for a smooth finish.
- ◆ Consult your retailer for more information on available accessories.

## MAINTENANCE

Your Black & Decker tool has been designed to operate over a long period of time with a minimum of maintenance. Continuous satisfactory operation depends upon proper tool care and regular cleaning.

Before performing any maintenance, switch off and unplug the tool.

- ◆ Regularly clean the ventilation slots in your tool using a soft dry brush or dry cloth.
- ◆ Regularly clean the motor housing using a clean damp cloth. Do not use any abrasive or solvent-based cleaner.

## Mains plug replacement (U.K. & Ireland only)

If a new mains plug needs to be fitted:

- ◆ Safely dispose of the old plug.
- ◆ Connect the brown lead to the live terminal in the new plug.
- ◆ Connect the blue lead to the neutral terminal.

**Warning!** No connection is to be made to the earth terminal. Follow the fitting instructions supplied with good quality plugs. Recommended fuse: 5 A.

## Protecting the environment



Should you find one day that your tool needs replacement, or if it is of no further use to you, think of the protection of the environment. Black & Decker repair agents will accept old Black & Decker tools and ensure that they are disposed of in an environmentally safe way.



Separate collection of used products and packaging allows materials to be recycled and used again. Re-use of recycled materials helps prevent environmental pollution and reduces the demand for raw materials.

Local regulations may provide for separate collection of electrical products from the household, at municipal waste sites or by the retailer when you purchase a new product.

Black & Decker provides a facility for the collection and recycling of Black & Decker products once they have reached the end of their working life. To take advantage of this service please return your product to any authorised repair agent who will collect them on our behalf.

You can check the location of your nearest authorised repair agent by contacting your local Black & Decker office at the address indicated in this manual. Alternatively, a list of authorised Black & Decker repair agents and full details of our after-sales service and contacts are available on the Internet at: [www.2helpU.com](http://www.2helpU.com).

## Technical data

	KA226	KA250	KA260GT
Voltage	Vac 230	230	230
Power input	W 155	170	170
Oscillations (no load)	min-1 26,000	26,000	26,000
Orbits (no load)	min-1 13,000	13,000	13,000
Weight	kg 1.26	1.26	1.26

## EC declaration of conformity

KA226, KA250, KA260GT

Black & Decker declares that these products conform to: 98/37/EC, 89/336/EEC, EN 60745, EN 55014, EN61000

$L_{pA}$  (sound pressure) 76 dB(A),

$L_{WA}$  (acoustic power) 87 dB(A),

hand/arm weighted vibration  $<12.1 \text{ m/s}^2$

Kpa (sound pressure uncertainty 3 dB(A),

Kwa (sound power uncertainty 3 dB(A),

Kevin Hewitt

Director of Consumer Engineering  
Spennymoor, County Durham DL16 6JG,  
United Kingdom  
7-7-2005

## Guarantee

Black & Decker is confident of the quality of its products and offers an outstanding guarantee. This guarantee statement is in addition to and in no way prejudices your statutory rights. The guarantee is valid within the territories of the Member States of the European Union and the European Free Trade Area.

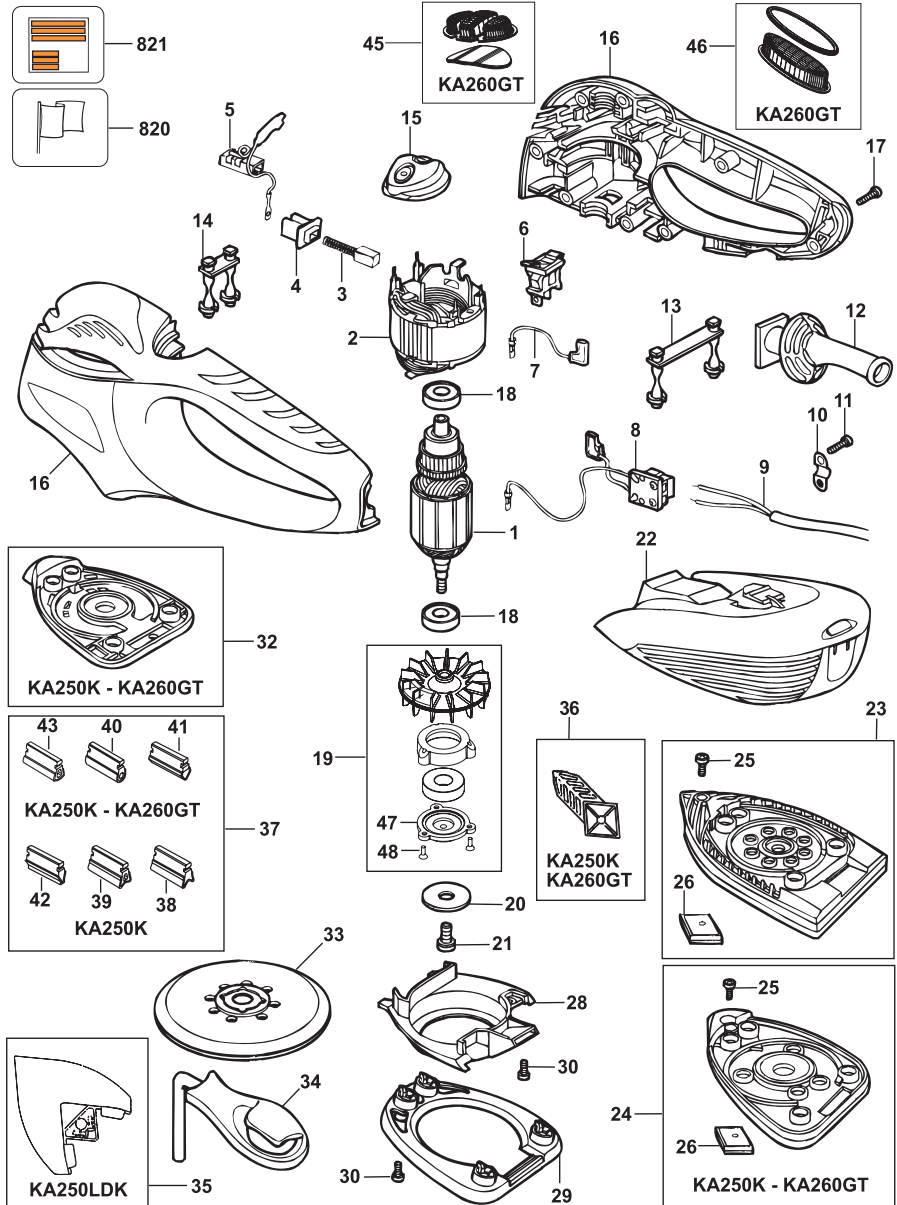
If a Black & Decker product becomes defective due to faulty materials, workmanship or lack of conformity, within 24 months from the date of purchase, Black & Decker guarantees to replace defective parts, repair products subjected to fair wear and tear or replace such products to ensure minimum inconvenience to the customer unless:

- ◆ The product has been used for trade, professional or hire purposes.
- ◆ The product has been subjected to misuse or neglect.
- ◆ The product has sustained damage through foreign objects, substances or accidents.
- ◆ Repairs have been attempted by persons other than authorised repair agents or Black & Decker service staff.

To claim on the guarantee, you will need to submit proof of purchase to the seller or an authorised repair agent. You can check the location of your nearest authorised repair agent by contacting your local Black & Decker office at the address indicated in this manual. Alternatively, a list of authorised Black & Decker repair agents and full details of our after-sales service and contacts are available on the Internet at:

**[www.2helpU.com](http://www.2helpU.com)**.

Please visit our website **[www.blackanddecker.co.uk](http://www.blackanddecker.co.uk)** to register your new Black & Decker product and to be kept up to date on new products and special offers. Further information on the Black & Decker brand and our range of products is available at **[www.blackanddecker.co.uk](http://www.blackanddecker.co.uk)**.



**Australia**

Black & Decker (Australia) Pty. Ltd. Tel. 03-8720 5100  
20 Fletcher Road, Mooroolbark, Fax 03-9727 5940  
Victoria, 3138

**New Zealand**

Black & Decker Tel. 09 579 7600  
81 Hugo Johnston Drive Fax 09 579 8200  
Penrose, Auckland, New Zealand

**United Kingdom**

Black & Decker Tel. 01753 511234  
210 Bath Road Fax 01753 551155  
Slough, Berkshire SL1 3YD Helpline 01753 574277